



US00D954575S

(12) **United States Design Patent** (10) **Patent No.:** **US D954,575 S**  
**Roland et al.** (45) **Date of Patent:** **\*\* Jun. 14, 2022**

(54) **WATER QUALITY MONITOR**  
(71) Applicant: **Pentair Water Pool and Spa, Inc.**,  
Cary, NC (US)  
(72) Inventors: **Montie Roland**, Sanford, NC (US);  
**Mitchell Bellamy**, Sanford, NC (US);  
**Sean McEwan**, Chapel Hill, NC (US);  
**Adam Key**, Raleigh, NC (US)  
(73) Assignee: **PENTAIR WATER POOL AND SPA,**  
**INC.**, Cary, NC (US)

5,326,481 A 7/1994 Alwerud  
5,422,014 A 6/1995 Allen et al.  
5,616,239 A 4/1997 Wendell et al.  
5,798,940 A 8/1998 Bratton et al.  
5,895,565 A 4/1999 Steininger  
6,003,164 A 12/1999 Leaders  
6,125,481 A 10/2000 Sicilano  
6,253,227 B1 6/2001 Tompkins et al.  
6,309,538 B1 10/2001 Khan  
6,625,824 B1 9/2003 Lutz et al.  
6,653,842 B2 11/2003 Mosley et al.  
6,900,736 B2 5/2005 Crumb

(Continued)

(\*\*) Term: **15 Years**  
(21) Appl. No.: **29/788,815**  
(22) Filed: **Jul. 30, 2021**

**FOREIGN PATENT DOCUMENTS**

EP 1847513 A1 10/2007  
FR 2932207 A1 12/2009

*Primary Examiner* — Antoine Duval Davis  
(74) *Attorney, Agent, or Firm* — Husch Blackwell LLP

**Related U.S. Application Data**

(62) Division of application No. 29/692,059, filed on May 22, 2019, now Pat. No. Des. 926,610.  
(51) **LOC (13) Cl.** ..... **10-04**  
(52) **U.S. Cl.**  
USPC ..... **D10/81**  
(58) **Field of Classification Search**  
USPC ..... D10/81  
CPC ..... C02F 1/467; C02F 103/42; C02F 1/66;  
C02F 1/24; C02F 1/465; C02F 9/005;  
C02F 2209/06; C02F 2307/00; E04H  
4/14; E04H 4/12; E04H 4/1281; G01N  
33/18  
See application file for complete search history.

(57) **CLAIM**

The ornamental design for a water quality monitor, as shown and described.

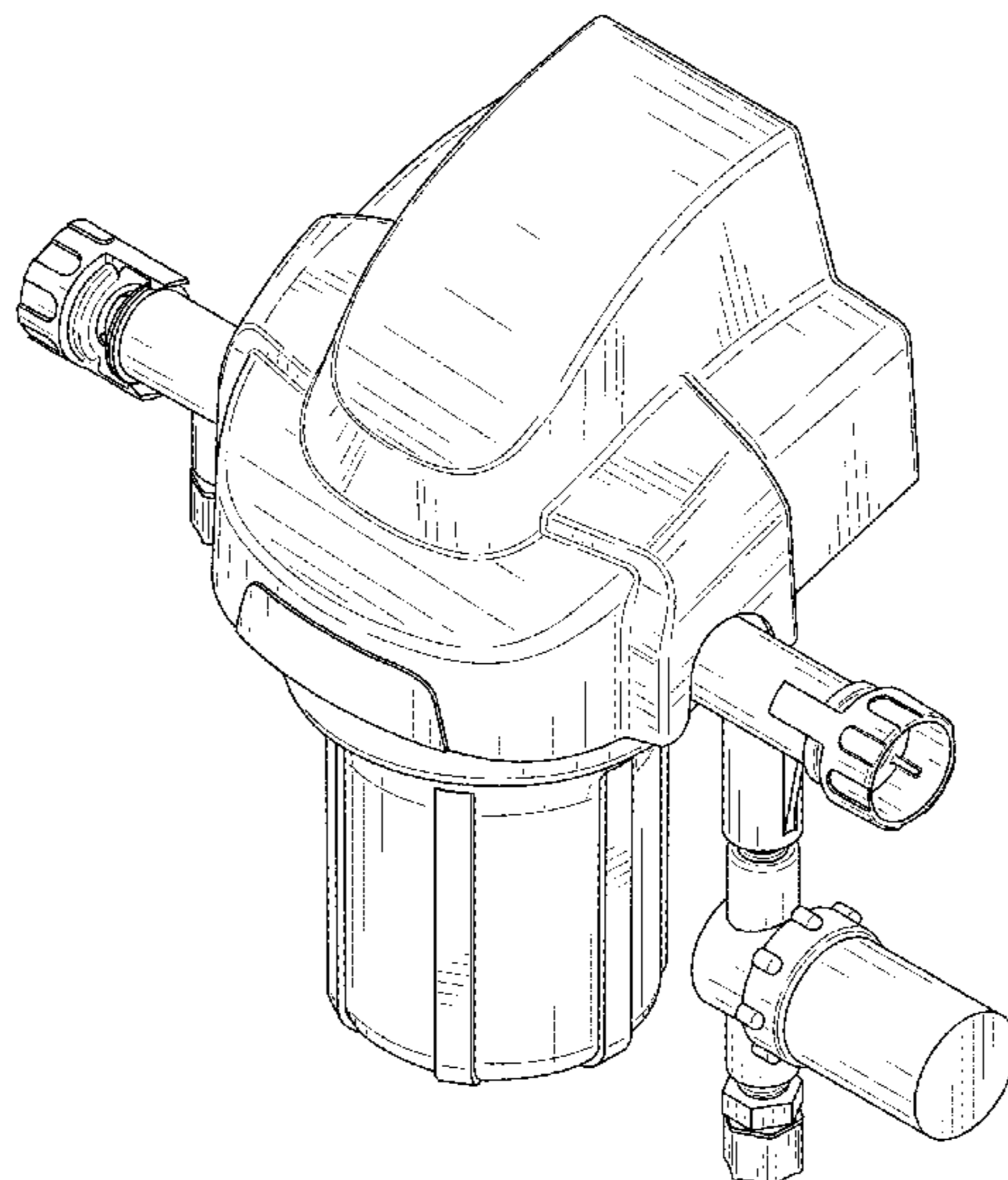
**DESCRIPTION**

FIG. 1 is an isometric view of a top, front, and left side of one embodiment of an ornamental design of a water quality monitor;  
FIG. 2 is a front elevational view of the water quality monitor of FIG. 1;  
FIG. 3 is a rear elevational view of the water quality monitor of FIG. 1;  
FIG. 4 is a left side elevational view of the water quality monitor of FIG. 1;  
FIG. 5 is a right side elevational view of the water quality monitor of FIG. 1;  
FIG. 6 is a top plan view of the water quality monitor of FIG. 1; and,  
FIG. 7 is a bottom plan view of the water quality monitor of FIG. 1.

(56) **References Cited**  
**U.S. PATENT DOCUMENTS**

D256,786 S 9/1980 Pedersen  
4,224,154 A 9/1980 Steininger  
4,752,740 A 6/1988 Steininger  
4,801,886 A 1/1989 Steininger  
4,825,207 A 4/1989 Snell

**1 Claim, 6 Drawing Sheets**



(56)

**References Cited**

U.S. PATENT DOCUMENTS

6,958,693	B2	10/2005	Rothgeb et al.	
7,094,353	B2	8/2006	Unhoch	
7,167,087	B2	1/2007	Corrington et al.	
7,292,898	B2	11/2007	Clark et al.	
7,391,333	B2	6/2008	Madden et al.	
7,398,138	B2	7/2008	Emery et al.	
7,752,893	B2	7/2010	Biberger	
7,938,909	B2	5/2011	Mortimer et al.	
7,993,600	B2	8/2011	Doyle et al.	
8,281,647	B2	10/2012	Boutet et al.	
8,459,100	B2	6/2013	Biberger	
9,494,480	B2	11/2016	Klicpera	
9,776,888	B1	10/2017	Kurani et al.	
9,784,686	B2	10/2017	Clark	
9,834,451	B2	12/2017	Miller et al.	
9,926,207	B2	3/2018	Rodriguez	
11,219,298	B2 *	1/2022	Rajan .....	B65D 35/10
2003/0205509	A1	11/2003	Barnes et al.	
2004/0197229	A1	10/2004	Runyon	
2005/0167345	A1	8/2005	De Wet et al.	
2005/0288821	A1	12/2005	Laflamme et al.	
2006/0241874	A1	10/2006	Carter	
2007/0219652	A1	9/2007	McMillan	
2010/0096338	A1	4/2010	De Wet et al.	
2010/0332149	A1	12/2010	Scholpp	
2013/0126403	A1	5/2013	Kilawee et al.	
2017/0248568	A1	8/2017	Yizhack et al.	

\* cited by examiner

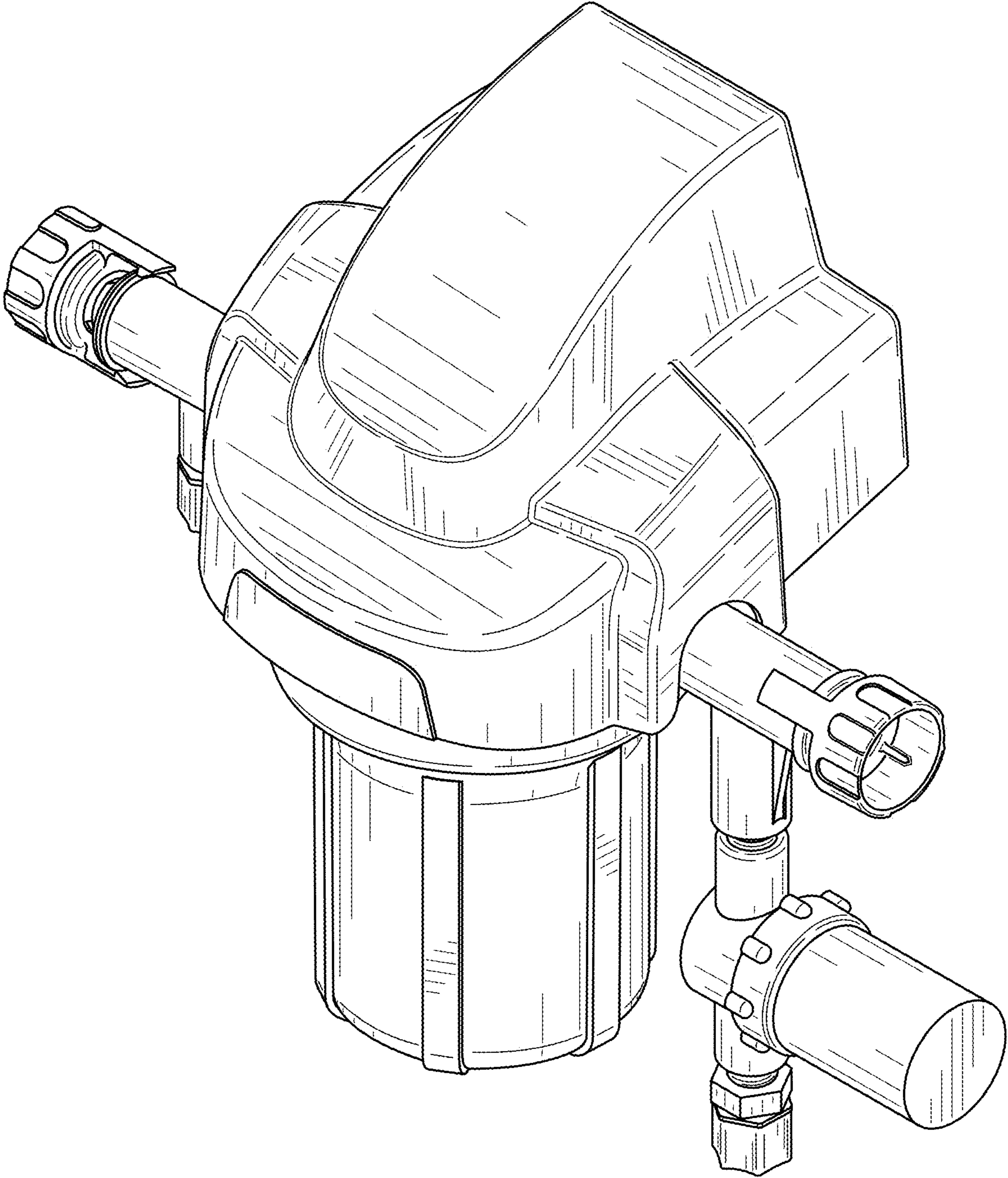


FIG. 1

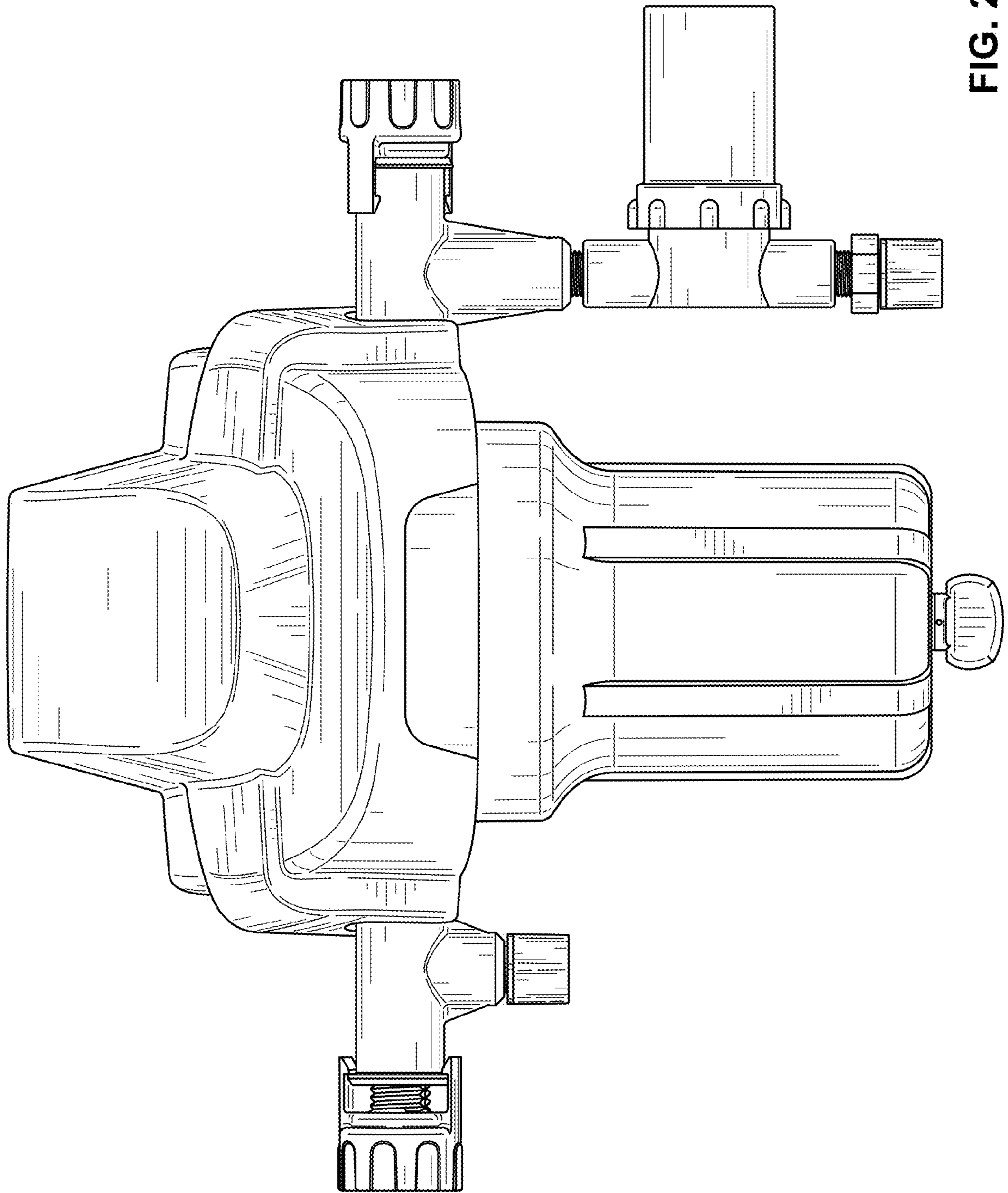


FIG. 2

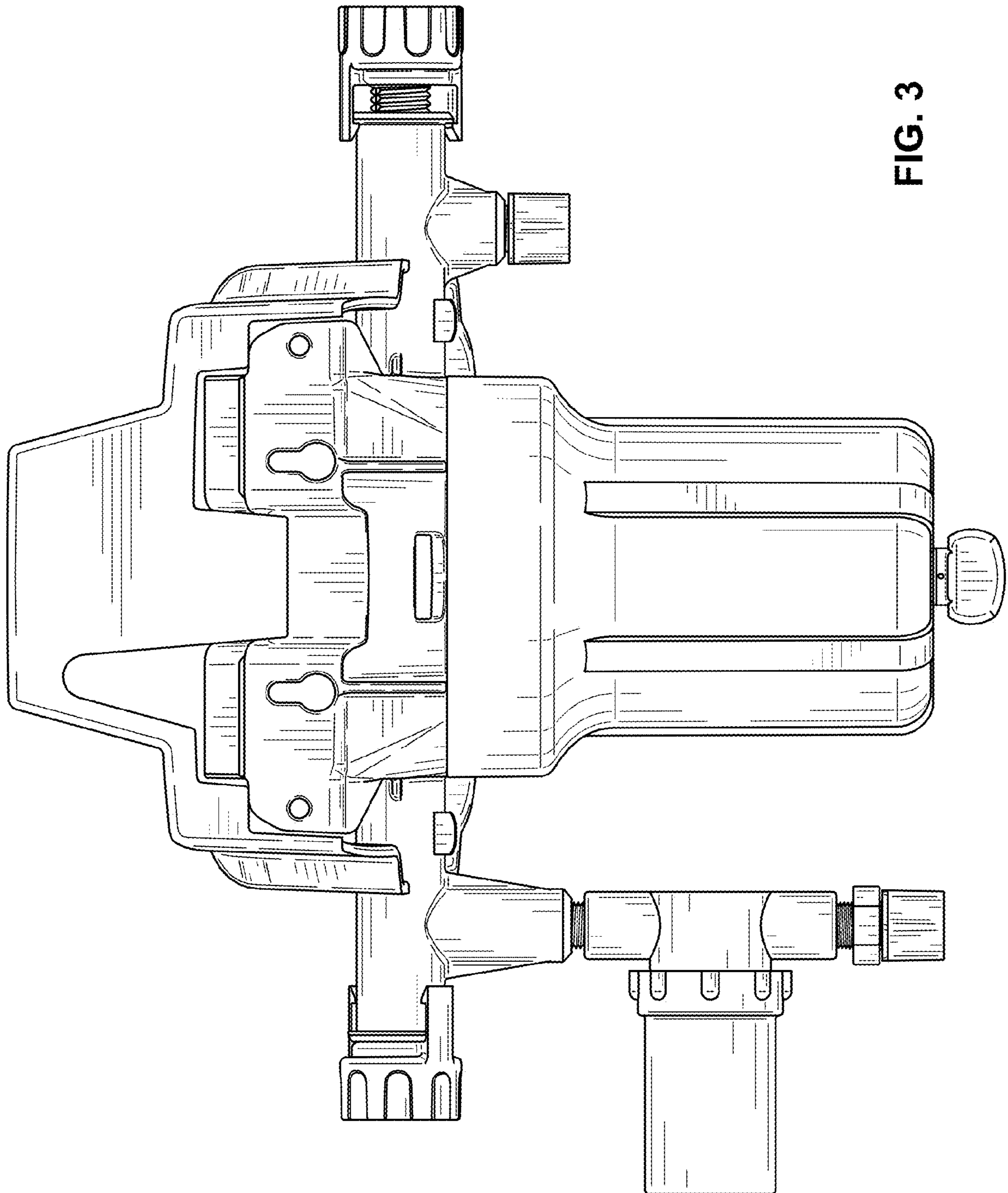


FIG. 3

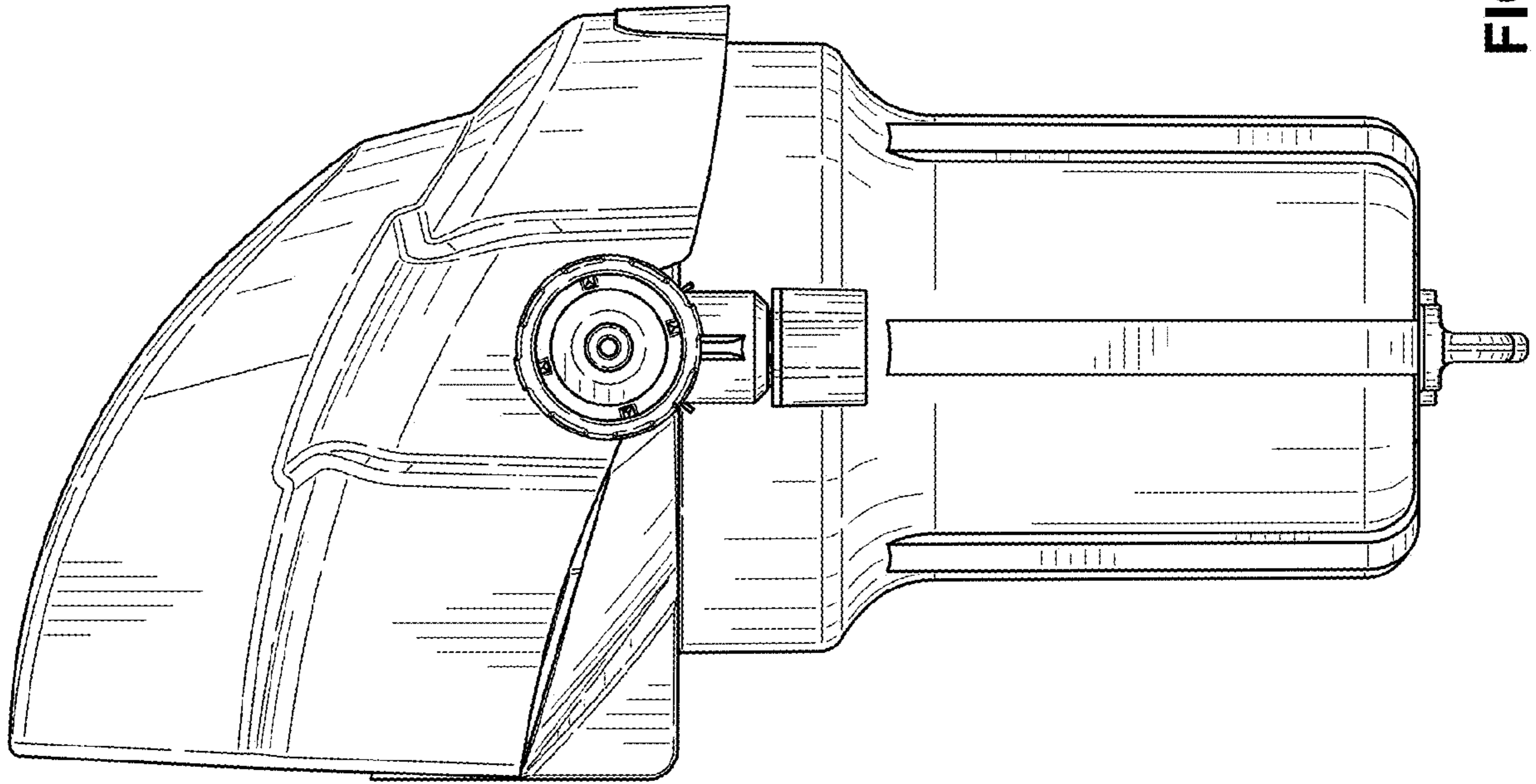


FIG. 5

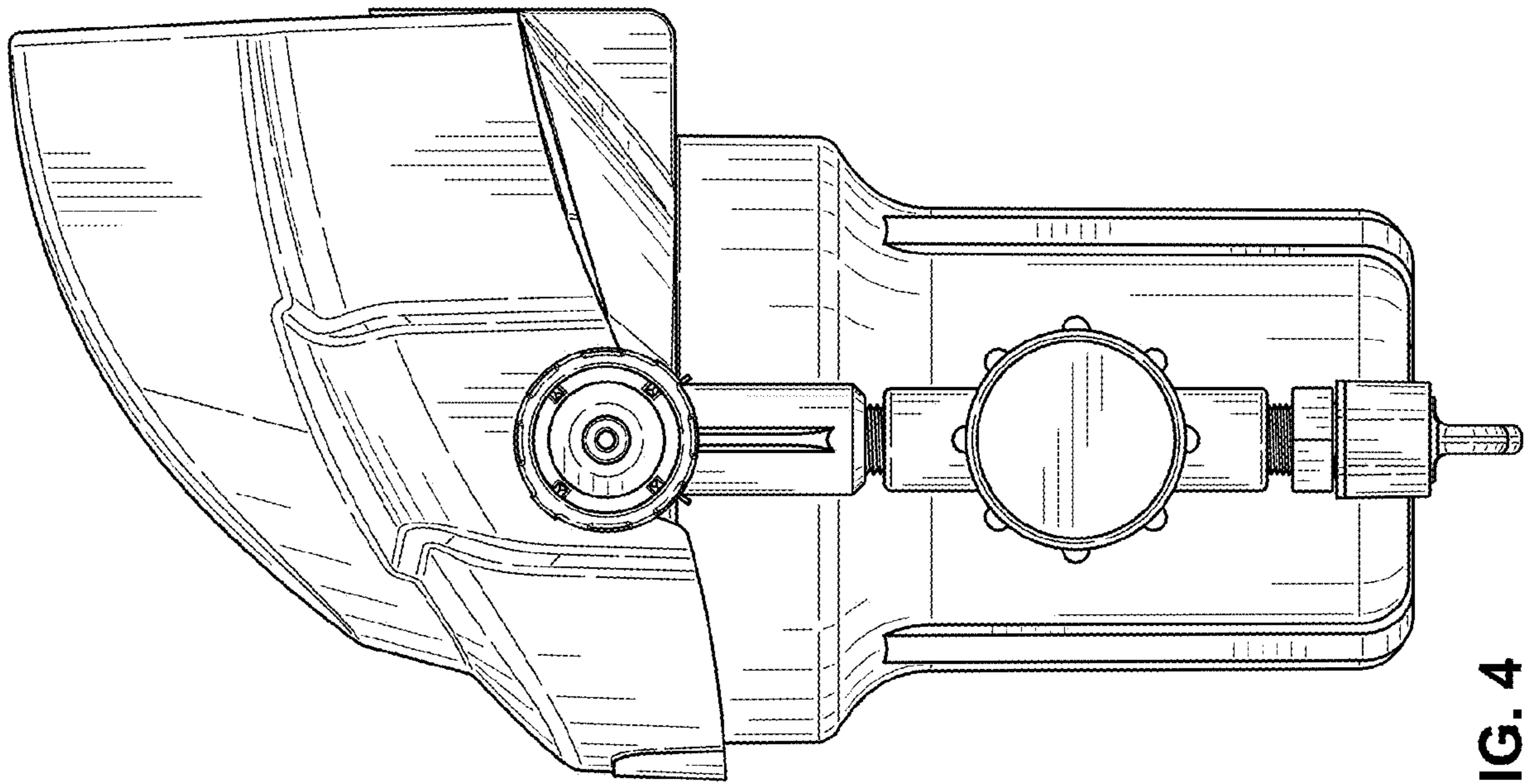


FIG. 4

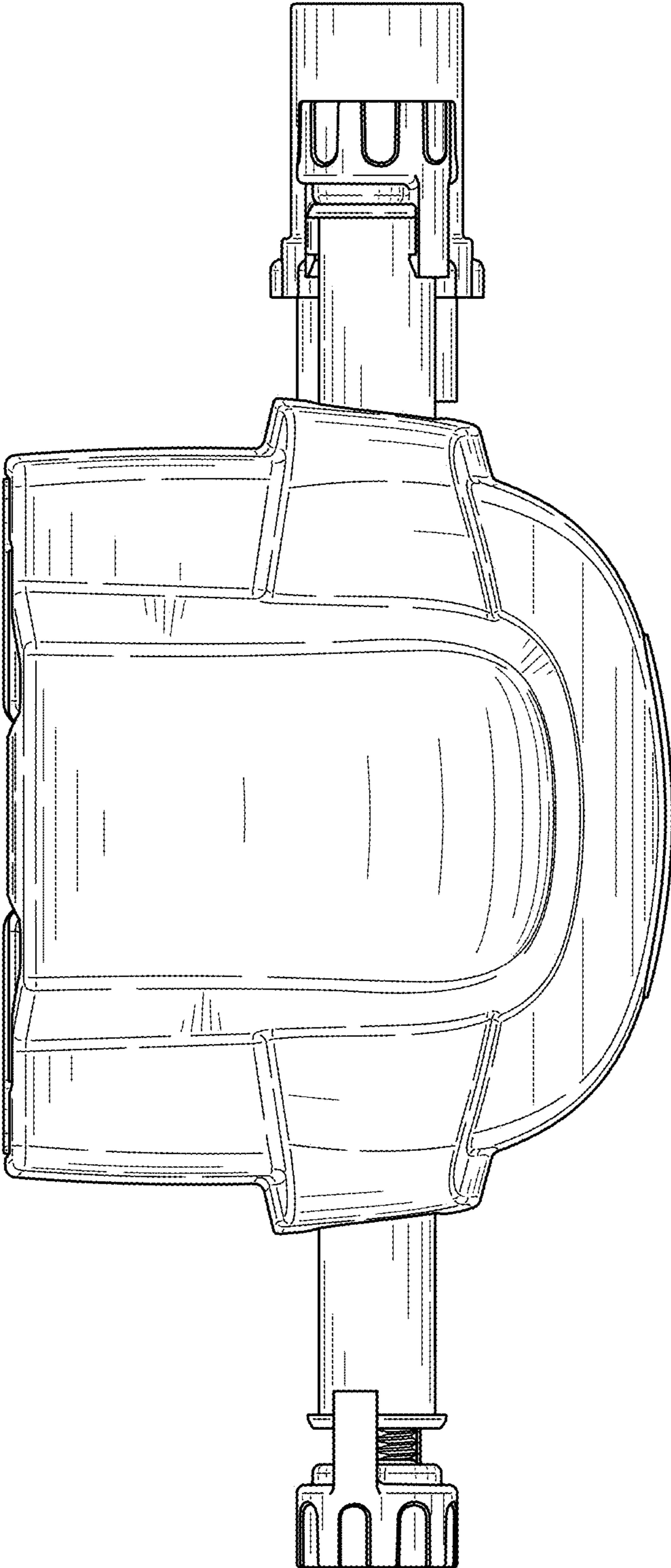


FIG. 6

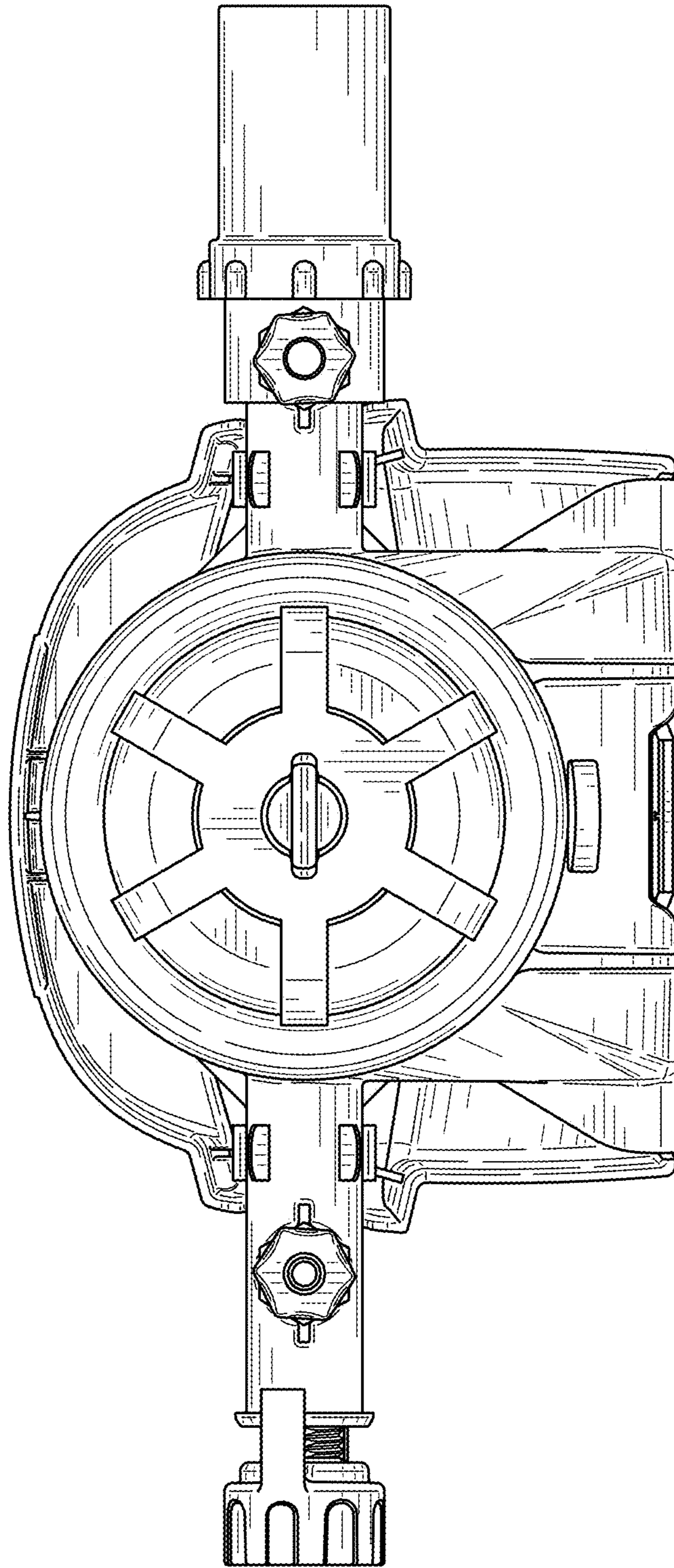


FIG. 7