



US00D954573S

(12) **United States Design Patent**
Lee et al.

(10) **Patent No.:** **US D954,573 S**
(45) **Date of Patent:** **** Jun. 14, 2022**

(54) **TEST CARD**

(71) Applicant: **FluxErgy, LLC**, Irvine, CA (US)

(72) Inventors: **Steve Lee**, Mission Viejo, CA (US);
Ryan Revilla, Costa Mesa, CA (US);
Roy Heltsley, Irvine, CA (US); **Ashwin Raghunathan**, Santa Ana, CA (US)

(73) Assignee: **Fluxergy, LLC**, Irvine, CA (US)

(**) Term: **15 Years**

(21) Appl. No.: **29/712,238**

(22) Filed: **Nov. 6, 2019**

(51) **LOC (13) Cl.** **10-05**

(52) **U.S. Cl.**

USPC **D10/81**; D24/224

(58) **Field of Classification Search**

USPC D10/106.91, 106.9, 106.4, 104.1, 56, 46,
D10/47, 67, 65, 61, 70, 74-82, 85, 86,
D10/96-103; D24/224, 216, 223, 226
CPC B01L 2300/0609; B01L 2200/04; B01L
2300/0877; B01L 2200/0689; B01L
2300/0809; B01L 2300/041; B01L
2200/027; B01L 7/52; B01L 3/5027;
B01L 2300/0887; B01L 2300/18; B01L
2300/0654; C12Q 1/686; C12Q 1/701;
C12Q 1/689; G01N 2021/6439; G01N
21/6428; G01N 21/6456; G06T
2207/20021; G06T 7/0016; G06T
2207/10016; G06K 9/2081

See application file for complete search history.

(56) **References Cited**

U.S. PATENT DOCUMENTS

D442,100 S * 5/2001 Blair D10/77
7,309,467 B2 12/2007 Chen et al.
8,367,021 B2 2/2013 Kennedy et al.
8,394,341 B2 3/2013 Reinhardt et al.

8,540,946 B2 9/2013 Padmanabhan et al.
8,911,989 B2 12/2014 Lee et al.
9,120,298 B2 9/2015 Patel et al.
9,364,833 B2 6/2016 Bergstedt et al.

(Continued)

FOREIGN PATENT DOCUMENTS

EM 002879957-0001 * 11/2015
EM 008481634-0001 * 3/2021

(Continued)

OTHER PUBLICATIONS

Fluxergy: Manufacturing, Date first available Sep. 11, 2018,
[online]retrieved Oct. 6, 2021,available from <https://vimeo.com/289365280> (Year: 2018).*

(Continued)

Primary Examiner — Keli L Hill

Assistant Examiner — Sara S Sahnneh

(74) *Attorney, Agent, or Firm* — K&L Gates LLP

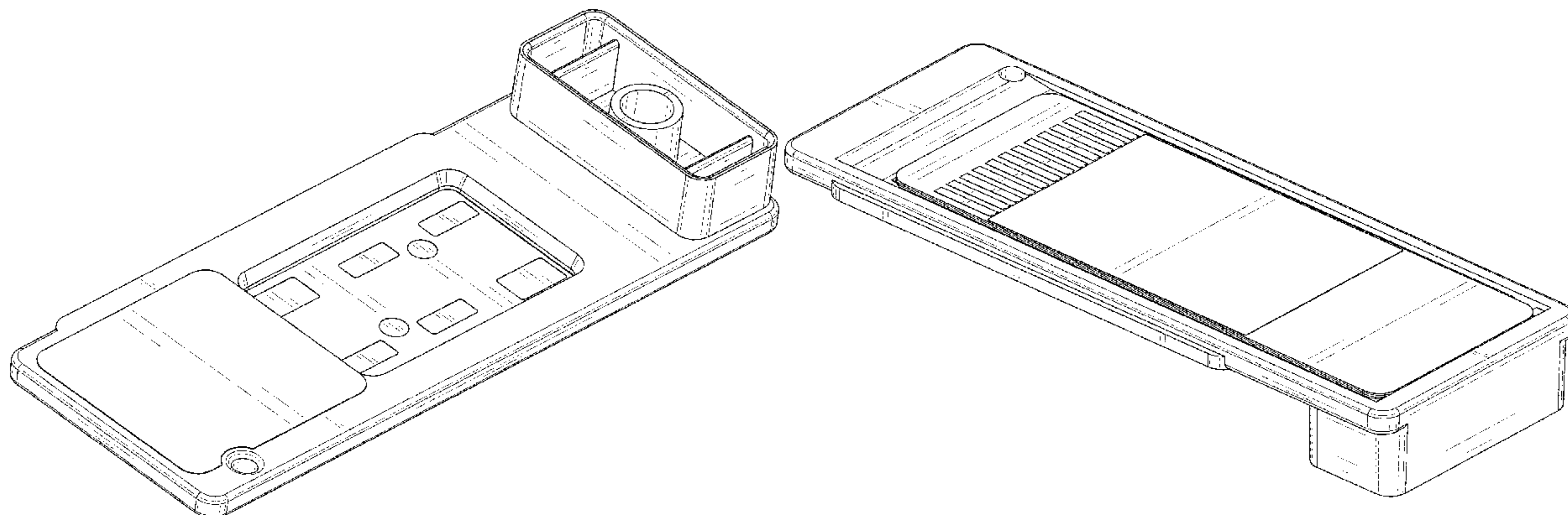
(57) **CLAIM**

The ornamental design for a test card, as shown and described herein.

DESCRIPTION

FIG. 1 illustrates a top-perspective view of a test card.
FIG. 2 illustrates a top-plan view of the test card.
FIG. 3 illustrates a bottom-perspective view of the test card.
FIG. 4 illustrates a bottom-up view of the test card.
FIG. 5 illustrates a front view of the test card.
FIG. 6 illustrates a rear view of the test card.
FIG. 7 illustrates a right-side view of the test card; and,
FIG. 8 illustrates a left-side view of the test card.
The broken lines shown are included for the purpose of illustrating portions of the test card that form no part of the claim. Additionally, the test card is not limited to the scale shown herein.

1 Claim, 6 Drawing Sheets



(56)

References Cited

U.S. PATENT DOCUMENTS

D816,863 S * 5/2018 Hsu D24/225
D818,380 S * 5/2018 Cummings D10/65
D831,224 S * 10/2018 Hsu D24/225
10,214,772 B2 2/2019 Revilla et al.
10,357,775 B2 * 7/2019 Kaplan B01L 3/502715
2008/0160601 A1 * 7/2008 Handique B01L 3/502723
435/287.2
2011/0312073 A1 * 12/2011 Silverbrook B01L 3/502707
435/287.2
2014/0271400 A1 * 9/2014 Cheng B01L 3/5023
422/417
2016/0369322 A1 12/2016 Revilla et al.
2016/0369323 A1 * 12/2016 Revilla B01L 3/5027
2017/0248622 A1 * 8/2017 Khattak H04M 1/72403
2018/0327823 A1 * 11/2018 Jackson C12Q 1/6837

2019/0144921 A1 5/2019 Revilla et al.
2020/0398272 A1 * 12/2020 Park B01L 9/52
2021/0263018 A1 * 8/2021 Taran G01N 21/6428

FOREIGN PATENT DOCUMENTS

EM 008510333-0002 * 4/2021
EM 008538425-0007 * 5/2021
GB 9007224209-0001 * 11/2019

OTHER PUBLICATIONS

HoneForest, Water Quality Tester, Date first available May 31, 2017, [online]retrieved Oct. 6, 2021,available from https://www.amazon.com/Accurate-HoneForest-Temperature-0-9990ppm-Aquariums/dp/B073713G5F/ref=sr_1_37?dchild=1&keywords=test+strip+reader&qid=1633546023&sr=8-37 (Year: 2017).*

* cited by examiner

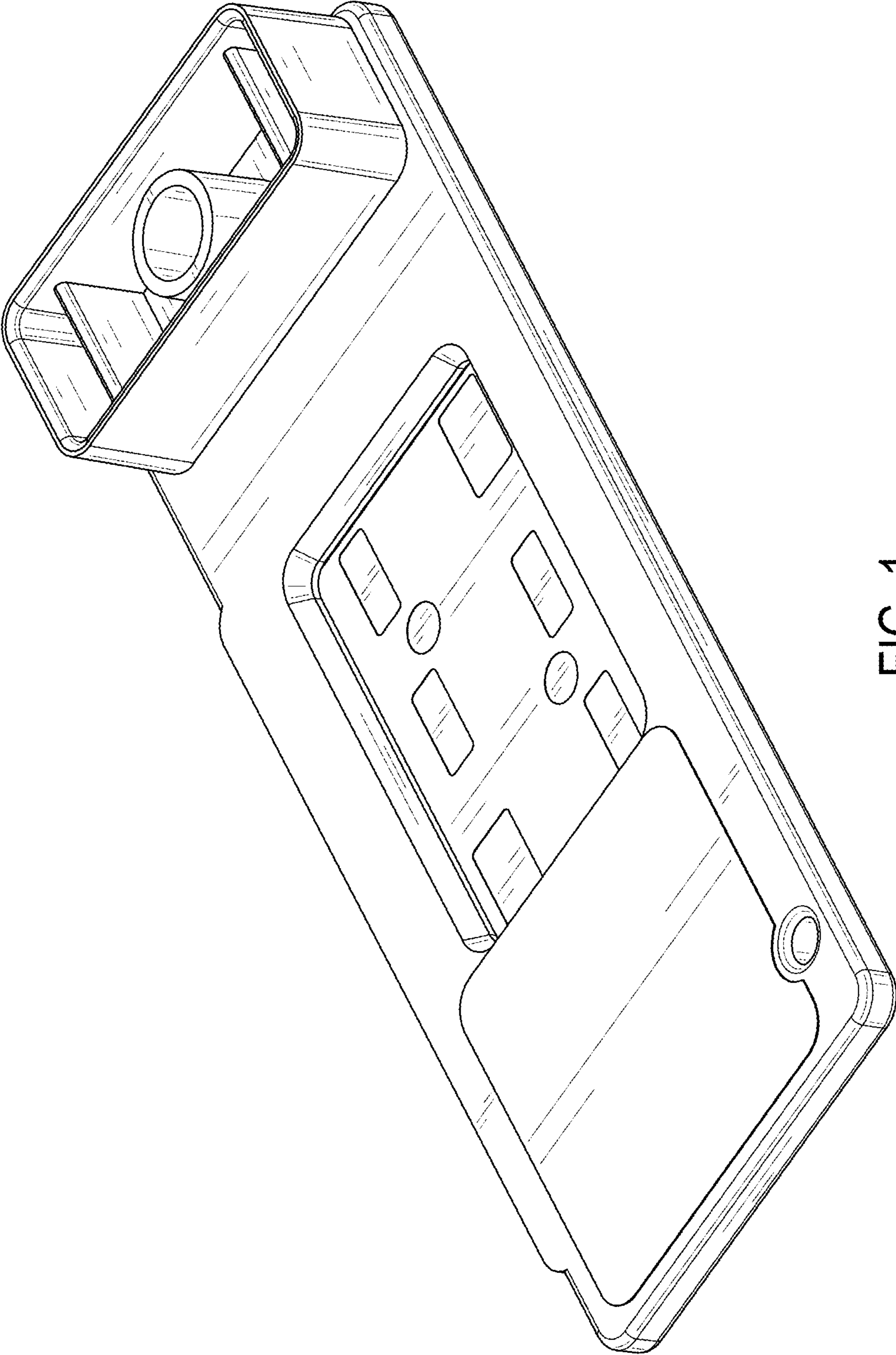


FIG. 1

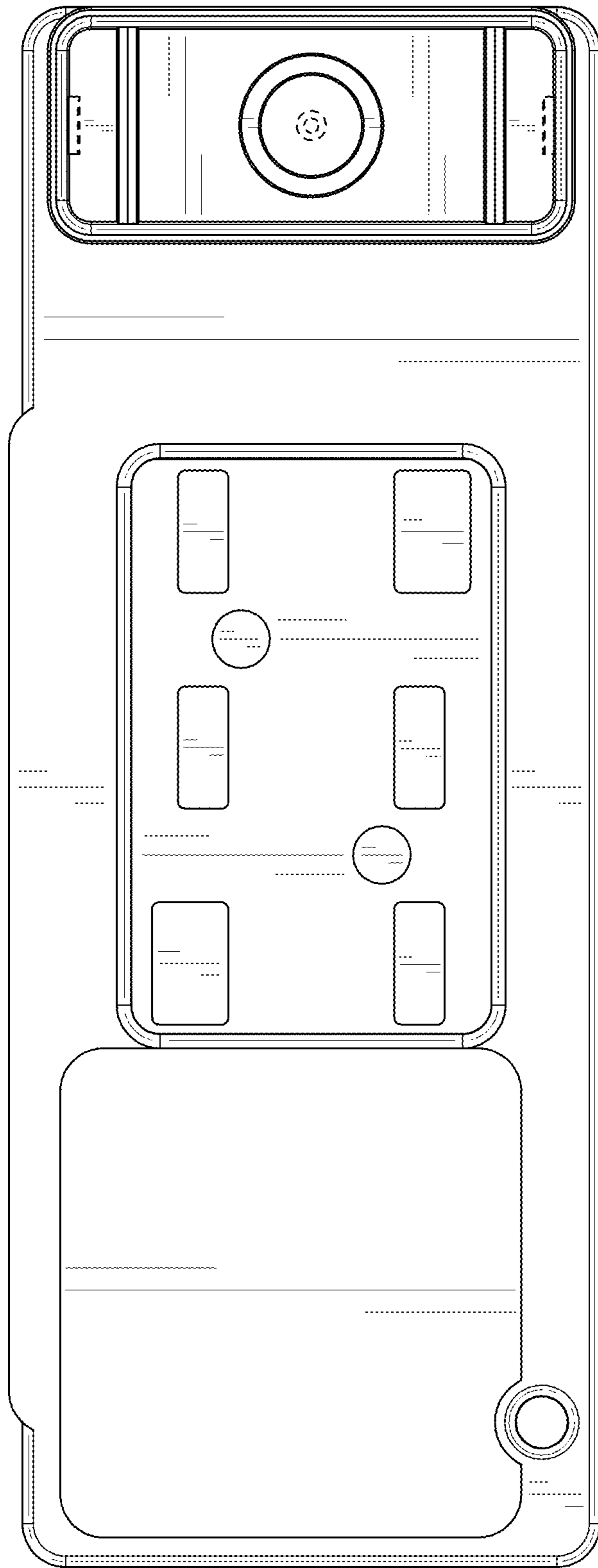


FIG. 2

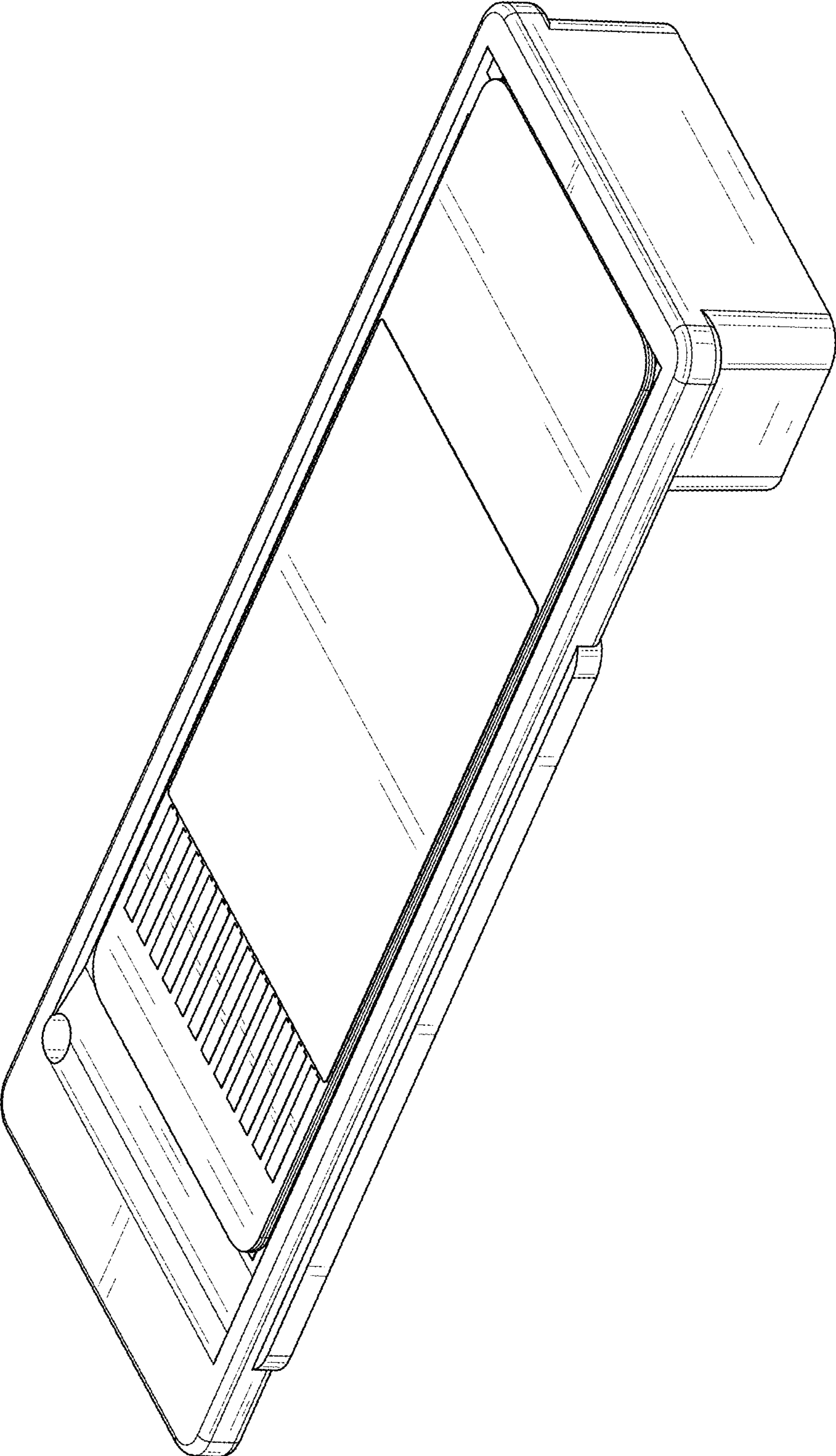


FIG. 3

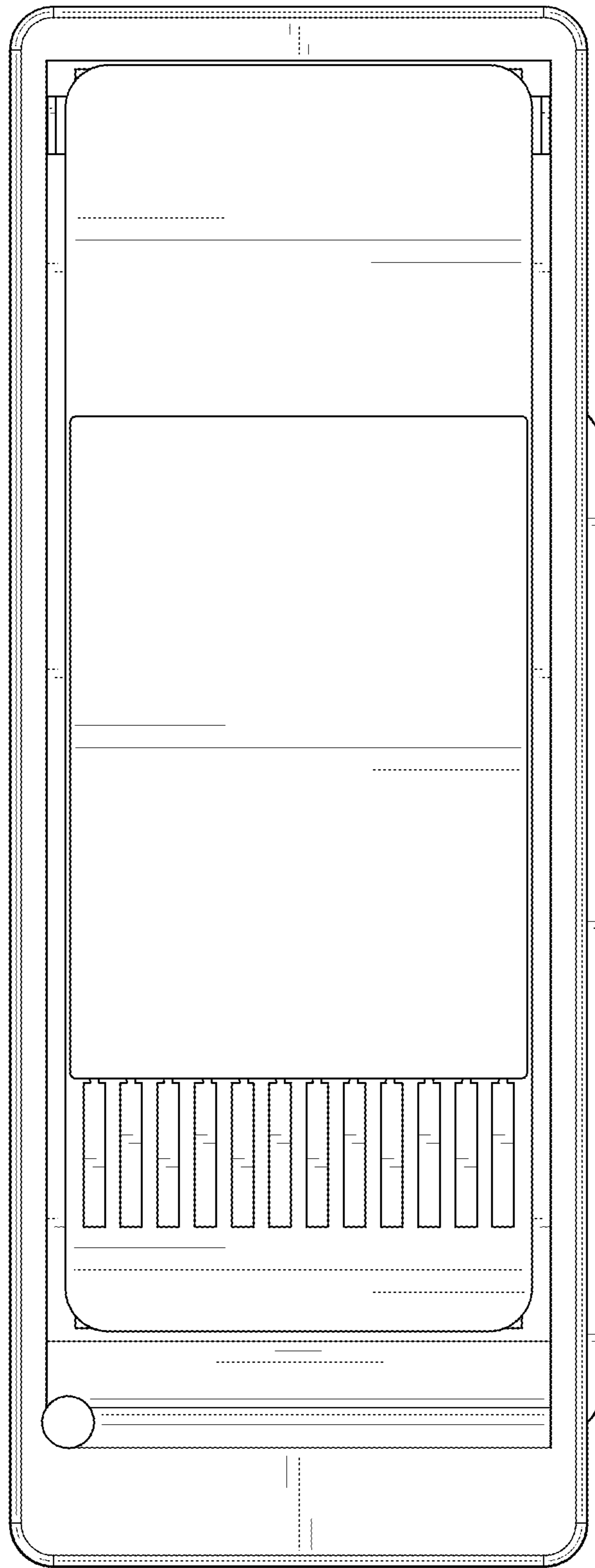


FIG. 4

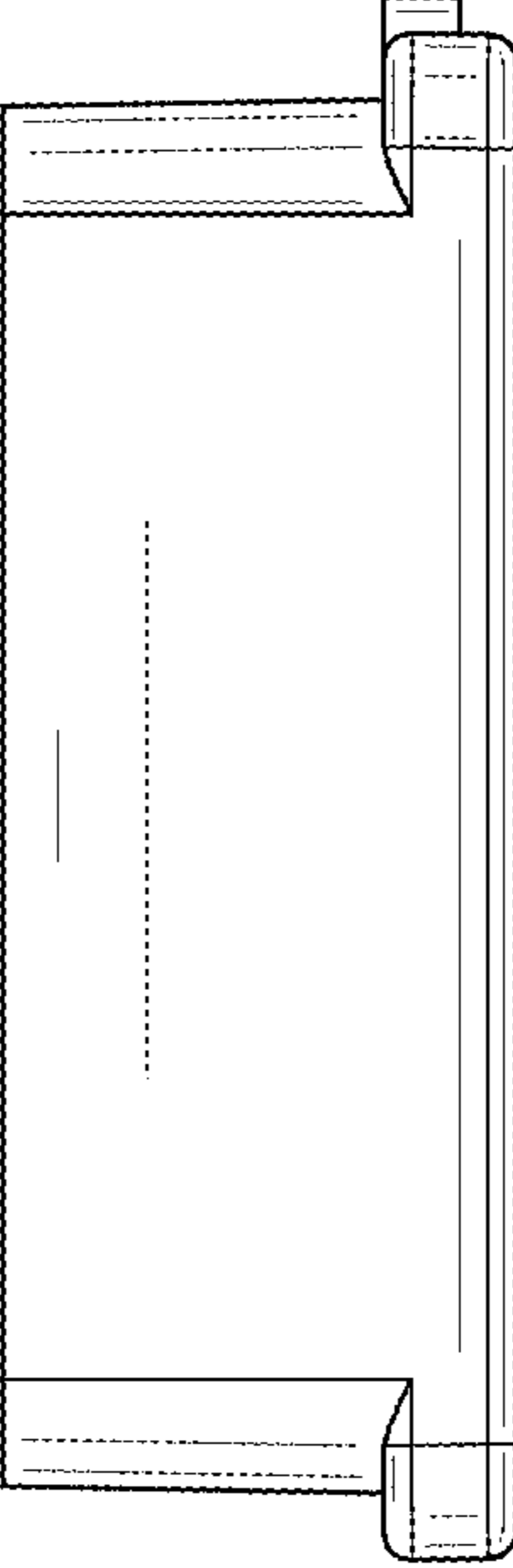


FIG. 5

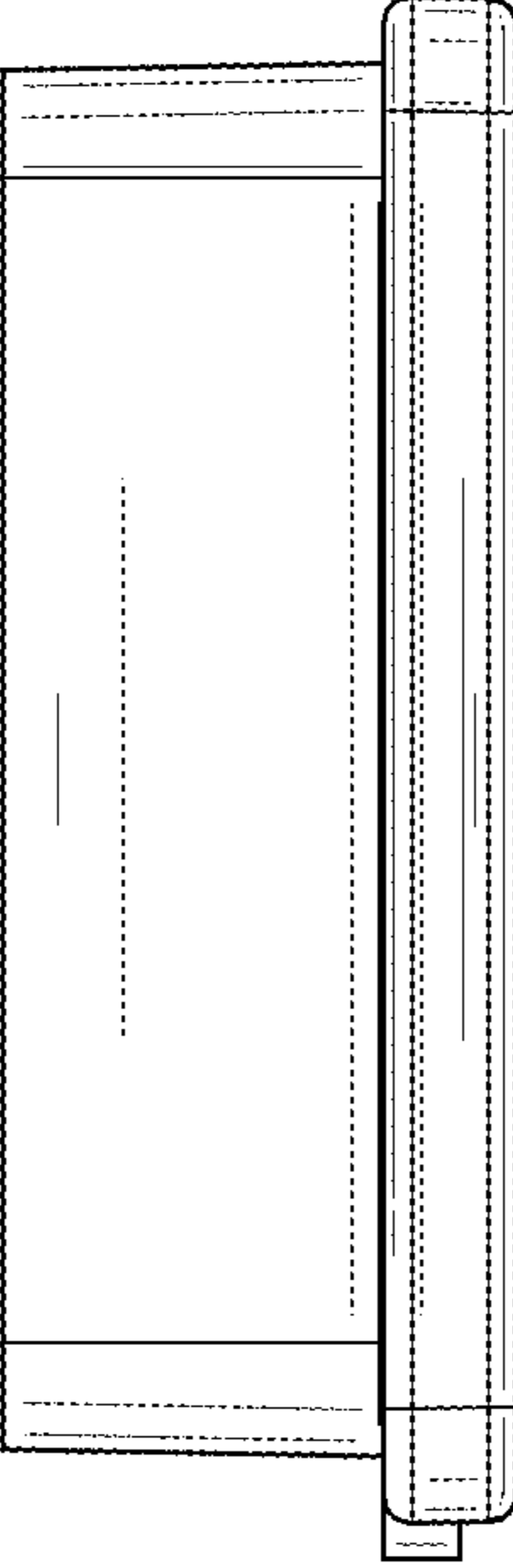


FIG. 6

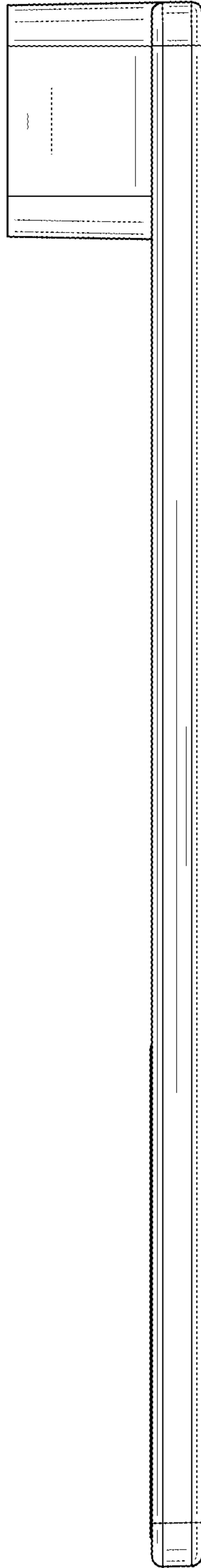


FIG. 7

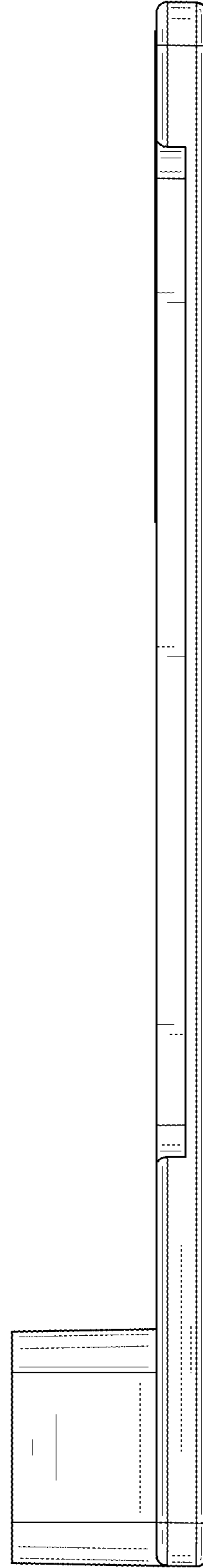


FIG. 8