



US00D954572S

(12) **United States Design Patent** (10) **Patent No.:** **US D954,572 S**
Fu (45) **Date of Patent:** **** Jun. 14, 2022**

(54) **DIGITAL MULTIMETER**
(71) Applicant: **Huizhou FuYi Electronic Technology Co., Ltd., Huizhou (CN)**
(72) Inventor: **Chenqin Fu, Huizhou (CN)**
(**) Term: **15 Years**
(21) Appl. No.: **29/768,593**

D837,075 S * 1/2019 Lu D10/78
D837,076 S * 1/2019 Fu D10/78
D838,611 S * 1/2019 Xie D10/78
(Continued)

FOREIGN PATENT DOCUMENTS

CN 306380821 * 9/2020
CN 306420633 * 10/2020
(Continued)

OTHER PUBLICATIONS

(22) Filed: **Jan. 29, 2021**
(51) **LOC (13) Cl.** **10-04**
(52) **U.S. Cl.**
USPC **D10/78**

KAIWEETS Store, Digital Multimeter Tester Smart Voltmeter, Date first available Nov. 8, 2021, [online]retrieved Mar. 10, 2022, available from https://www.amazon.com/KAIWEETS-Multimeter-Electrical-Temperature-Capacitance/dp/B09L84PKBS/ref=sr_1_8?crid=3SQFY0IFMGVD2&keywords=FUYI%2BProfessional%2BHigh%2BPre (Year: 2021).*

(58) **Field of Classification Search**
USPC D10/96-103, 65-80, 61
CPC G01R 31/3646; G01R 31/385;
G01R 31/364; G01R 1/04; G01R 5/00;
G01R 7/00; G01R 17/00; G01R 19/00;
G01R 21/00; G01R 22/00; G01R 23/00;
G01R 25/00; G01R 27/00; G01R 1/22;
G01R 1/06788; H01M 10/4285; H01R
11/11; H01R 12/57; H01R 2201/26;
H01R 13/6275; H01R 13/639; Y02E
60/10; Y02E 10/72; C02F 1/008; C02F
2201/326; C02F 2209/001; C02F
2209/006; C02F 2209/008; H05K 5/0247;
G07C 5/02; G07C 2205/02; G07C
5/0808; G07C 5/0825; G07C 5/008;
G07C 5/00; G07C 5/08; B60R 1/00;
B60R 3/00; B60R 13/00; B60R 15/00;
B60R 16/023; B60R 16/00; B60R 16/005;
G01C 21/16; G01C 25/00; G01M 15/02;
G06F 1/1626; G06F 1/166; G06F 1/1656
See application file for complete search history.

(Continued)

Primary Examiner — Keli L Hill
Assistant Examiner — Sara S Sahneh
(74) *Attorney, Agent, or Firm* — Novoclaims Patent Services LLC; Mei Lin Wong

(57) **CLAIM**

The ornamental design for a digital multimeter, as shown and described.

DESCRIPTION

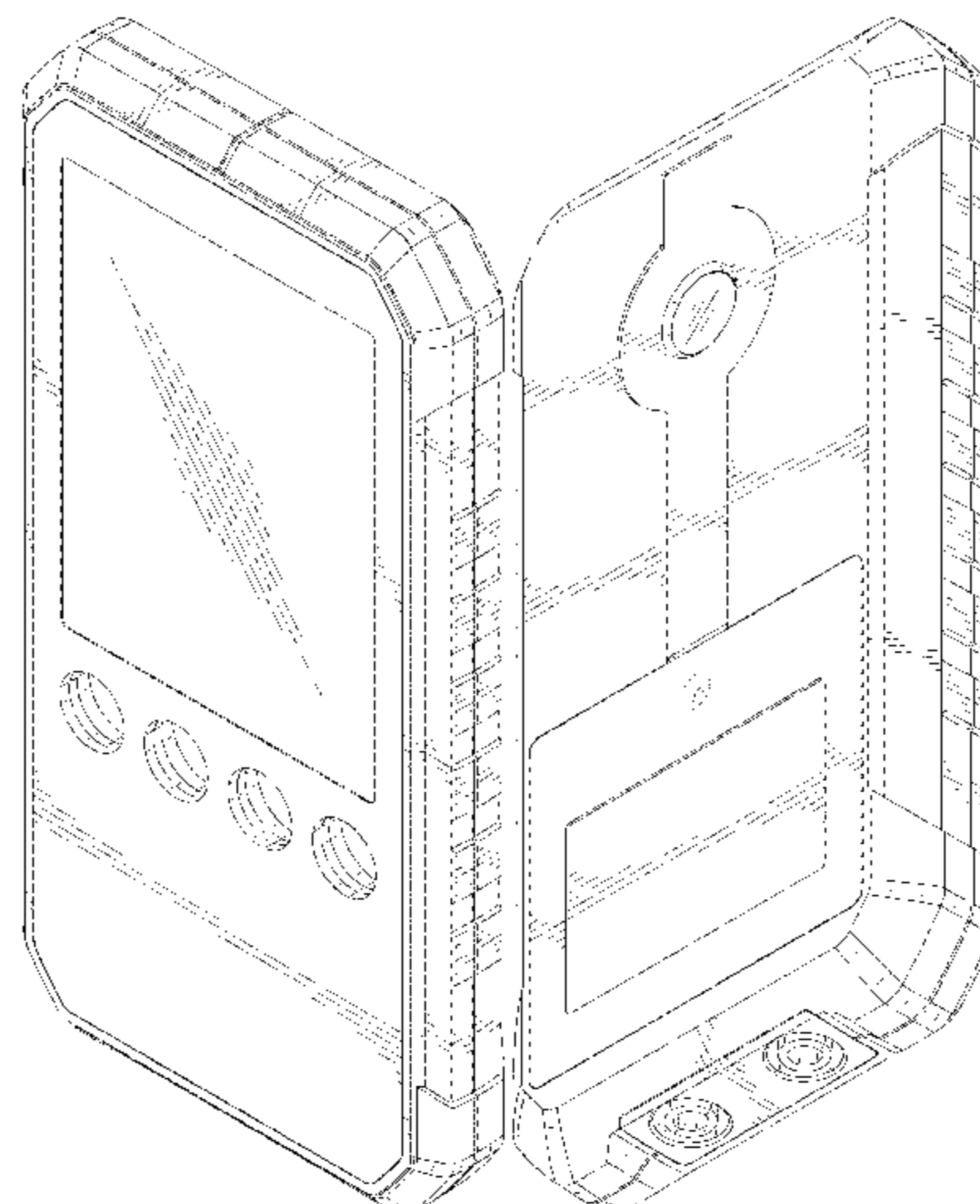
FIG. 1 is a front perspective view of a digital multimeter, showing my new design;
FIG. 2 is a rear perspective view thereof;
FIG. 3 is a front view thereof;
FIG. 4 is a rear view thereof;
FIG. 5 is a left side view thereof;
FIG. 6 is a right side view thereof;
FIG. 7 is a top view thereof; and,
FIG. 8 is a bottom view thereof.

(Continued)

(56) **References Cited**

U.S. PATENT DOCUMENTS

D501,145 S * 1/2005 Bras D10/78
D646,188 S * 10/2011 Chen D10/78
D646,599 S * 10/2011 Chen D10/78



The broken lines in the drawings depict portions of the digital multimeter that form no part of the claimed design.

CN	307117580	*	9/2021
EM	004558328-0001	*	12/2017
EM	008664403-0002	*	8/2021

1 Claim, 8 Drawing Sheets

OTHER PUBLICATIONS

(56)

References Cited

U.S. PATENT DOCUMENTS

D839,112 S *	1/2019	Xie	D10/78
D839,114 S *	1/2019	Xie	D10/78
D842,147 S *	3/2019	Xie	D10/78
D895,460 S *	9/2020	Li	D10/78
2011/0069961 A1 *	3/2011	Hudson	H04B 10/114 398/115
2012/0091998 A1 *	4/2012	Nguyen	G01R 1/22 324/126
2018/0108502 A1 *	4/2018	Tan	G01R 15/12

FOREIGN PATENT DOCUMENTS

CN	306823405	*	6/2021
CN	306838370	*	6/2021

KAIWEETS Store,Digital Multimeter Auto-Ranging, Date first available Jul. 14, 2020,[online]retrieved Mar. 10, 2022,available from https://www.amazon.com/dp/B08CXKSXQF/ref=sspa_dk_detail_1?psc=1&pd_rd_i=B08CXKSXQF&pd_rd_w=rV59Q&pf_rd_p=b9951ce4-3bd8-4b04-9123-0fda35d6155e&pd_rd_wg=Wa8uc&pf_rd_r=D1GEBN1ZTVBF (Year: 2020).*

Vislone, Mastfuyi Super Slim Palm LCD Digital Multimeter, Date first available : Feb. 9, 2022, [online]retrieved Mar. 10, 2022,available from https://www.amazon.com/dp/B09S3MMWWY/ref=sspa_dk_detail_4?pd_rd_w=rV59Q&pf_rd_p=b9951ce4-3bd8-4b04-9123-0fda35d6155e&pd_rd_wg=Wa8uc&pf_rd_r=D1GEBN1ZTVBFP53EZWN8& (Year: 2022).*

Igojajutown,Multimeter Testers,Date first available Jun. 18, 2021, [online]retrieved Mar. 10, 2022,available from https://www.amazon.com/Multimeter-Electrical-Resistance-Capacitance-Continuity/dp/B097H2FZMG/ref=pd_di_sccai_5/142-8601271-8577630?pd_rd_w=k3sAL&pf_rd_p=c9443270-b914-4430-a90b-72e3e7e784e0&pf (Year: 2021).*

* cited by examiner

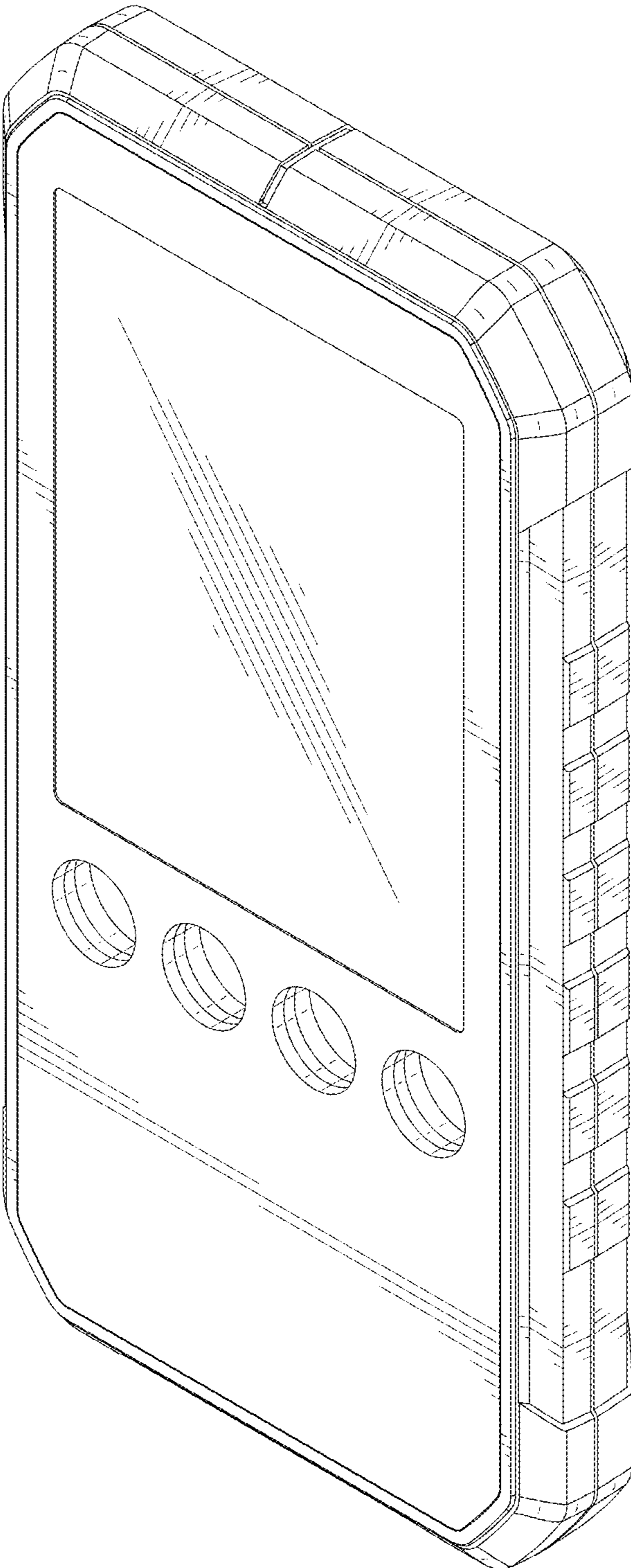


FIG.1

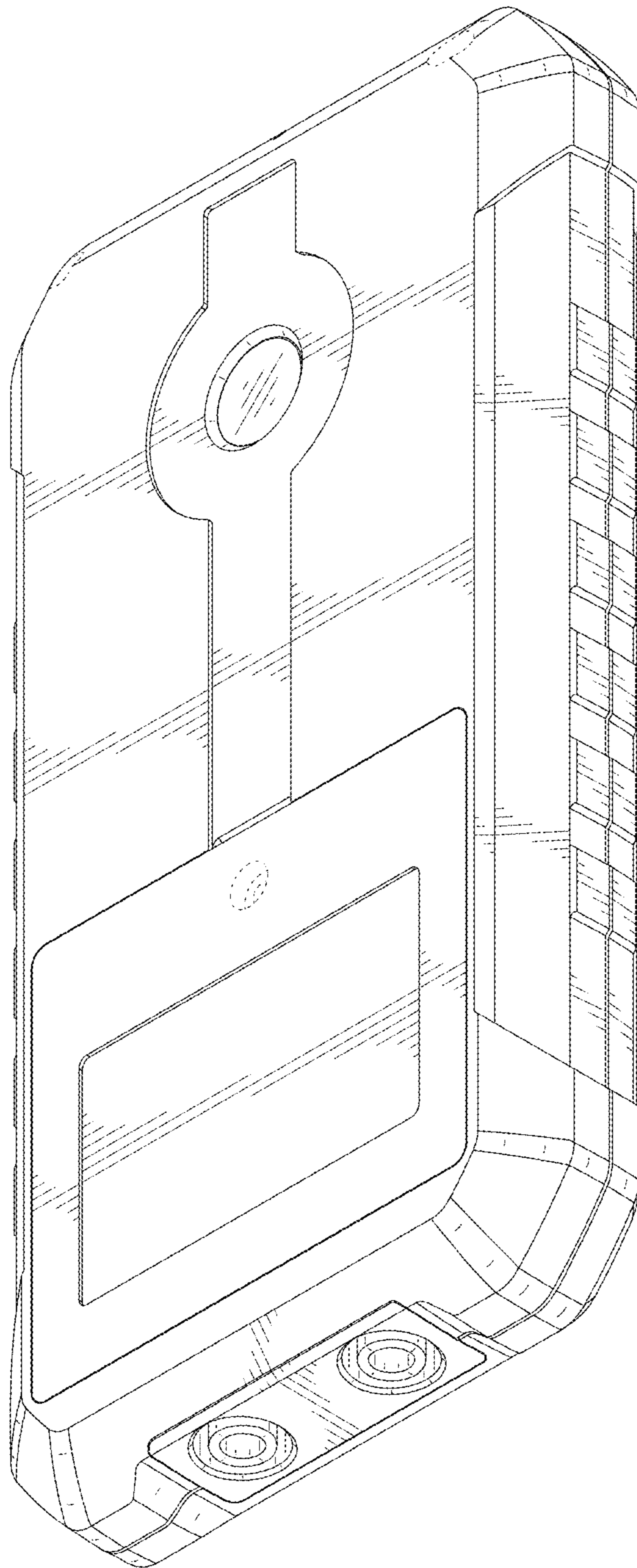


FIG.2

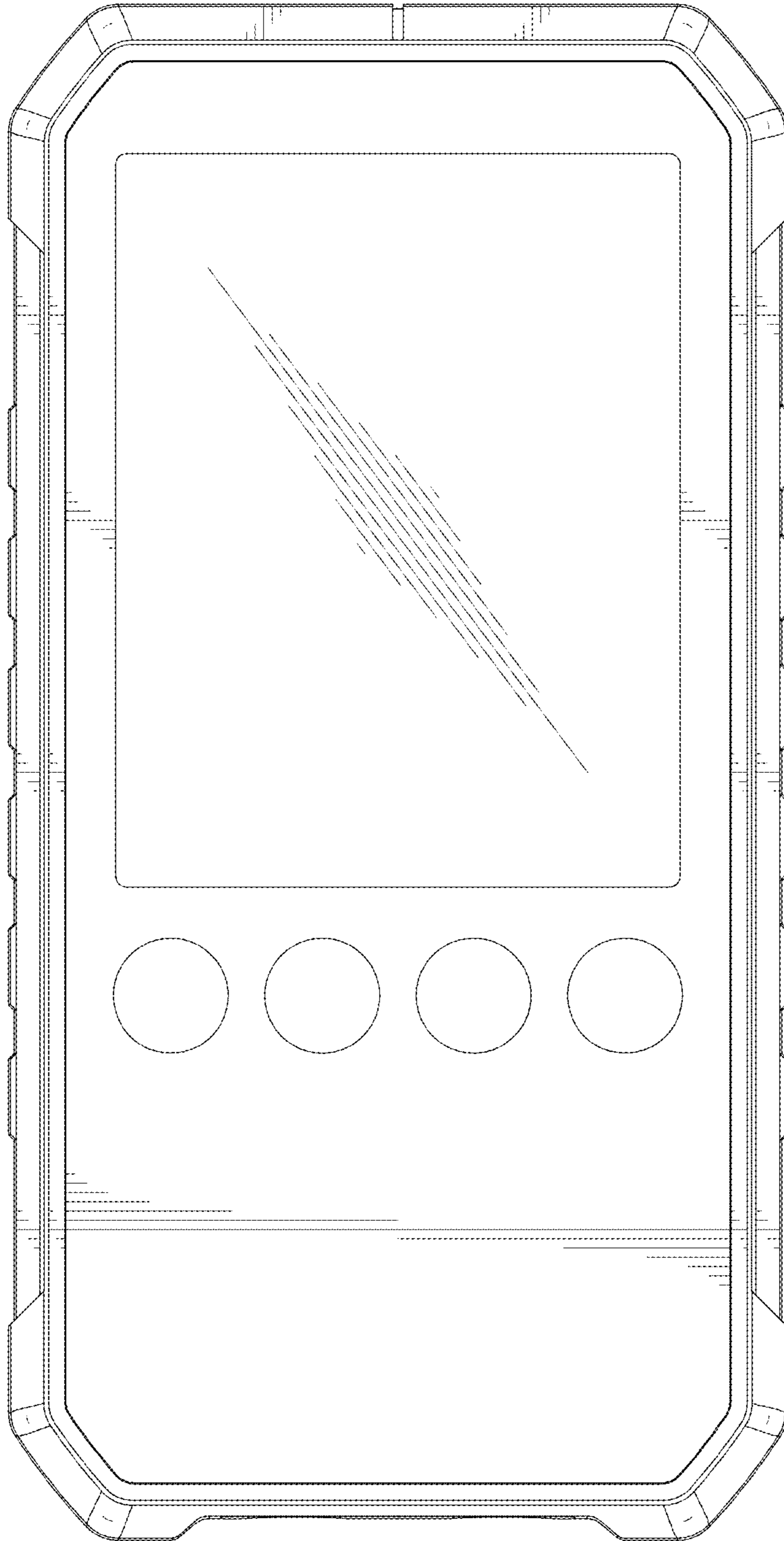


FIG.3

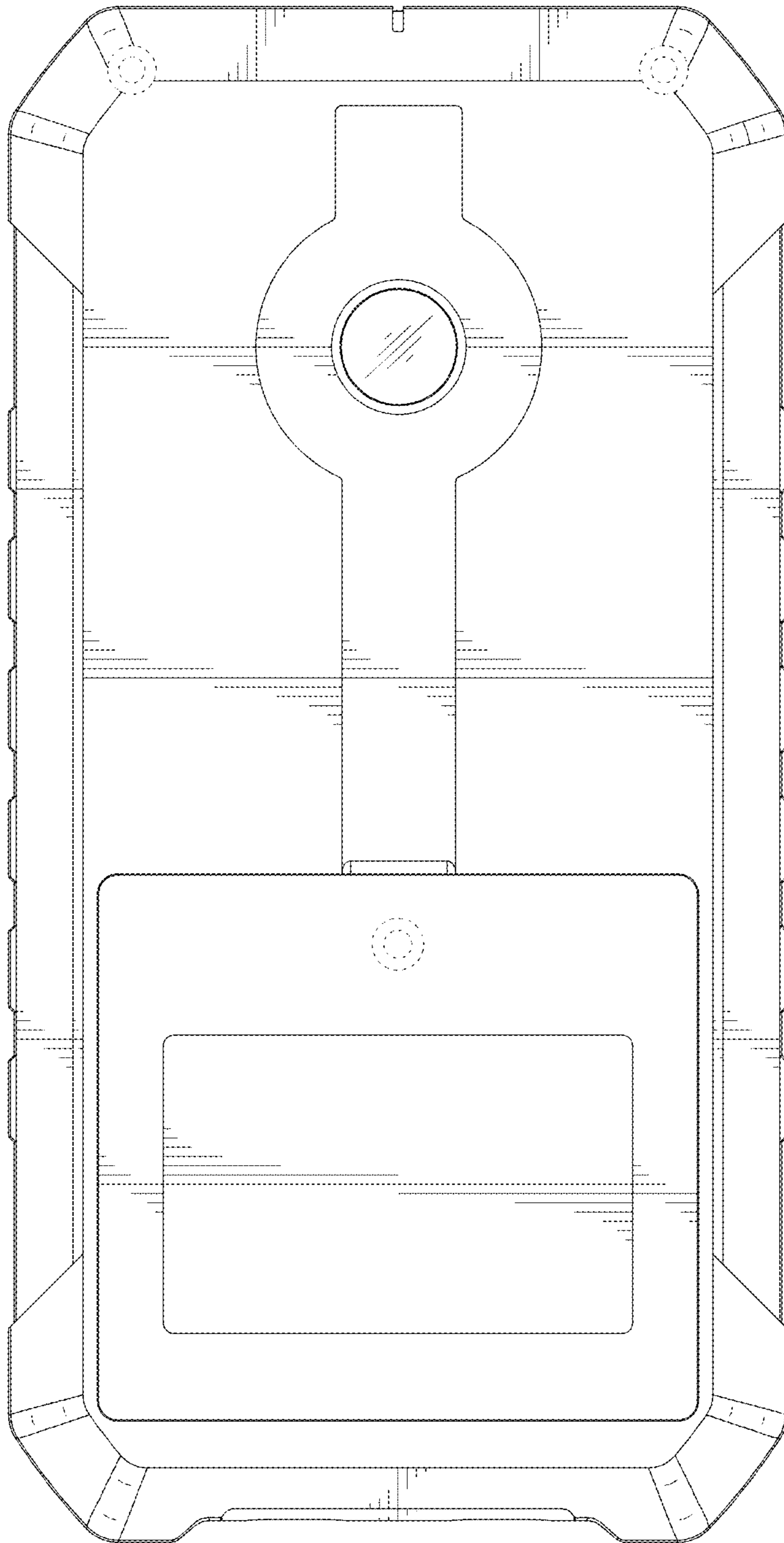


FIG.4

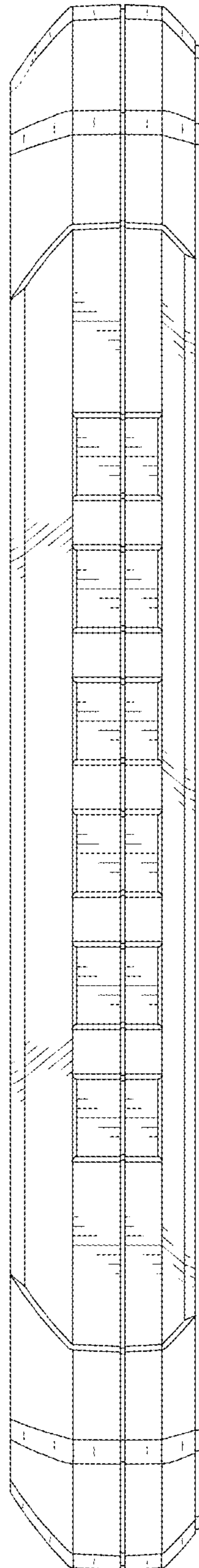


FIG.5

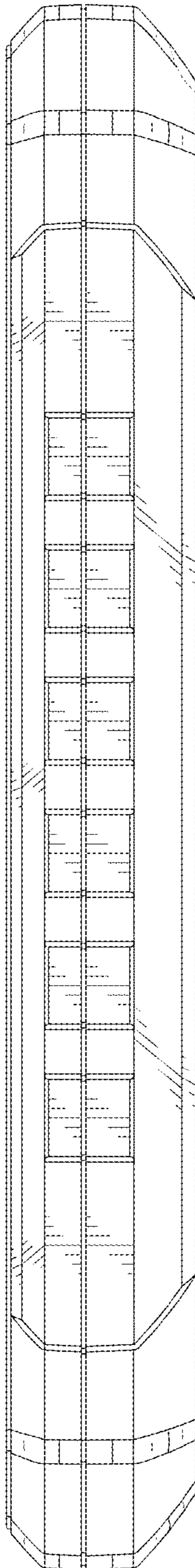


FIG.6

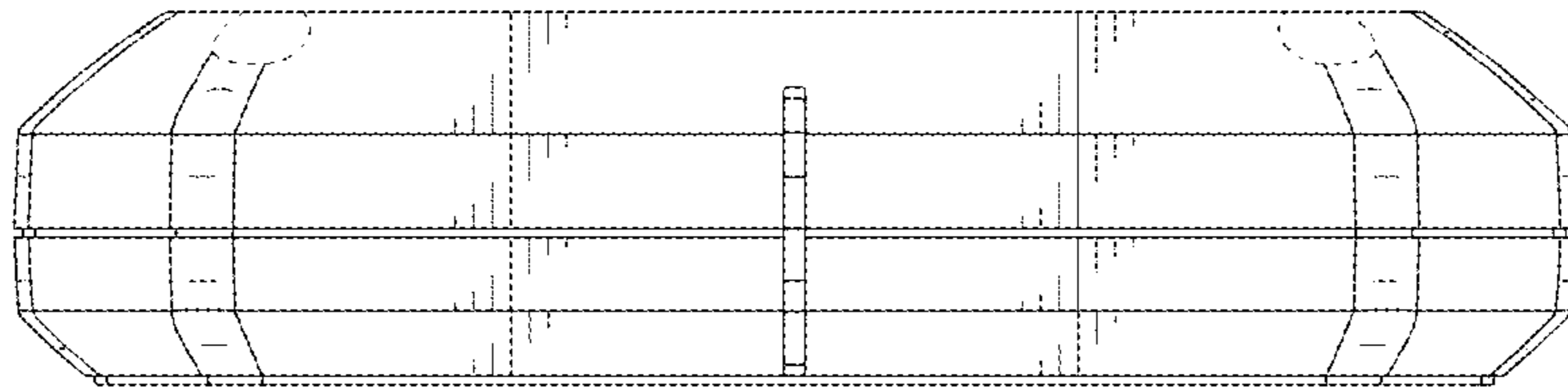


FIG.7

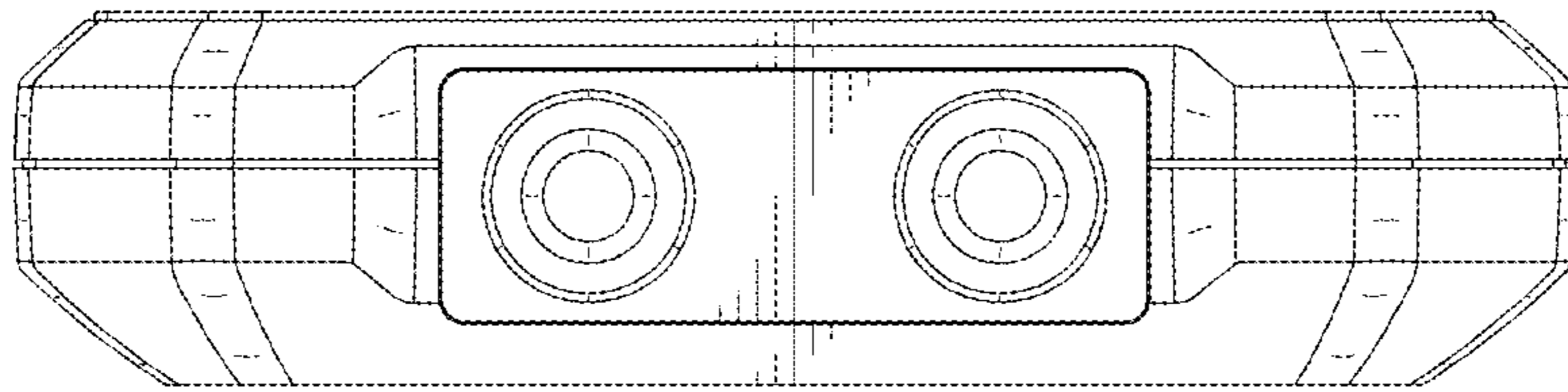


FIG.8