



US00D954570S

(12) **United States Design Patent**
Turley

(10) **Patent No.:** **US D954,570 S**
(45) **Date of Patent:** **** Jun. 14, 2022**

- (54) **DOVETAIL JOINT LAYOUT TOOL**
- (71) Applicant: **Woodpeckers, LLC**, Strongsville, OH (US)
- (72) Inventor: **Paul E. Turley**, Amherst, OH (US)
- (73) Assignee: **WOODPECKERS, LLC**, Strongsville, OH (US)
- (**) Term: **15 Years**
- (21) Appl. No.: **29/760,926**
- (22) Filed: **Dec. 4, 2020**
- (51) **LOC (13) Cl.** **10-04**
- (52) **U.S. Cl.**
USPC **D10/65**
- (58) **Field of Classification Search**
USPC D8/61, 62, 64, 65, 70, 71; D10/14, 71
CPC B27F 1/00; B27F 1/005; B27F 1/02; B27F 1/04; B27F 1/06; B27F 1/08; B27F 1/10; B27F 1/12; B27F 1/14; B27F 1/16; G01B 3/04; G01B 3/566; G01B 3/006
See application file for complete search history.

4,200,984 A	5/1980	Fink	
D276,316 S	11/1984	Weeks	
5,339,530 A *	8/1994	Wright	G01B 3/566 33/379
D460,008 S *	7/2002	Cina	D10/65
6,785,976 B1 *	9/2004	Morehouse	B43L 7/005 33/495
7,254,898 B1 *	8/2007	Armstrong	B43L 7/10 33/421
D625,624 S *	10/2010	Juhl	B43L 13/20 D10/65
D814,322 S *	4/2018	Pepper	D10/65
D827,460 S *	9/2018	Lindberg	D10/65
D848,872 S *	5/2019	Hummel	D10/65
D853,256 S *	7/2019	Lee	D10/65
D878,939 S *	3/2020	Wu	D10/65
D883,821 S *	5/2020	Herniman	D10/65
11,168,969 B1 *	11/2021	Turley	G01B 3/004

(Continued)

Primary Examiner — Philip S Hyder

(74) *Attorney, Agent, or Firm* — Sand, Sebolt & Wernow Co., LPA

(57) **CLAIM**

The ornamental design for a dovetail joint layout tool, as shown and described.

DESCRIPTION

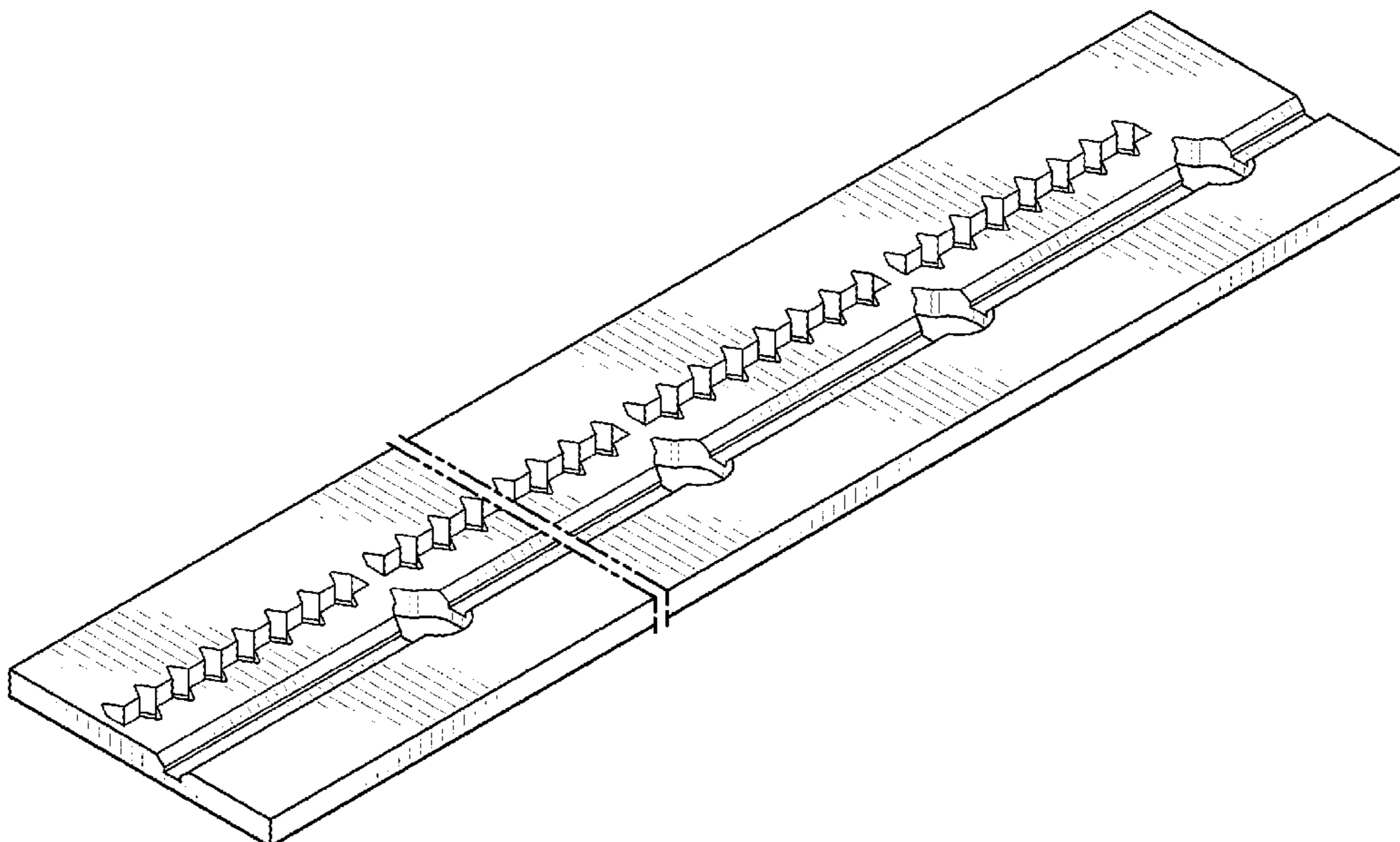
FIG. 1 is a front, top, right side isometric perspective view of a dovetail joint layout tool in accordance with my design; FIG. 2 is a front elevation view thereof; FIG. 3 is a rear elevation view thereof; FIG. 4 is a right side elevation view thereof; FIG. 5 is a left side elevation view thereof; FIG. 6 is a top plan view thereof; and, FIG. 7 is a bottom plan view thereof. The claimed design is shown with a symbolic break in its length. The appearance of any portion of the article between the break lines forms no part of the claimed design.

1 Claim, 3 Drawing Sheets

(56) **References Cited**

U.S. PATENT DOCUMENTS

1,245,130 A	10/1917	Somers	
1,324,963 A	12/1919	Hayes	
1,690,919 A	11/1928	Baine	
1,827,156 A *	10/1931	Martin	B27F 1/14 33/197
2,122,875 A	7/1938	Witchger	
2,448,440 A	8/1948	King	
2,733,517 A	2/1956	Gjersoe	
D195,356 S	6/1963	Keszler	
3,533,165 A *	10/1970	Larsen	B43L 7/007 33/427
D233,695 S	11/1974	Payne	



(56)

References Cited

U.S. PATENT DOCUMENTS

2009/0199420 A1* 8/2009 Morrell G01B 3/56
33/473
2012/0017486 A1 1/2012 Jones
2014/0290080 A1* 10/2014 Buzzell G01B 3/566
33/469
2017/0341219 A1* 11/2017 Pepper G01B 3/566
2019/0225009 A1* 7/2019 Hummel B43L 7/02
2020/0047542 A1* 2/2020 Walsh B43L 7/02
2021/0325161 A1* 10/2021 Turley G01B 3/566
2021/0325163 A1* 10/2021 Turley G01B 3/04

* cited by examiner

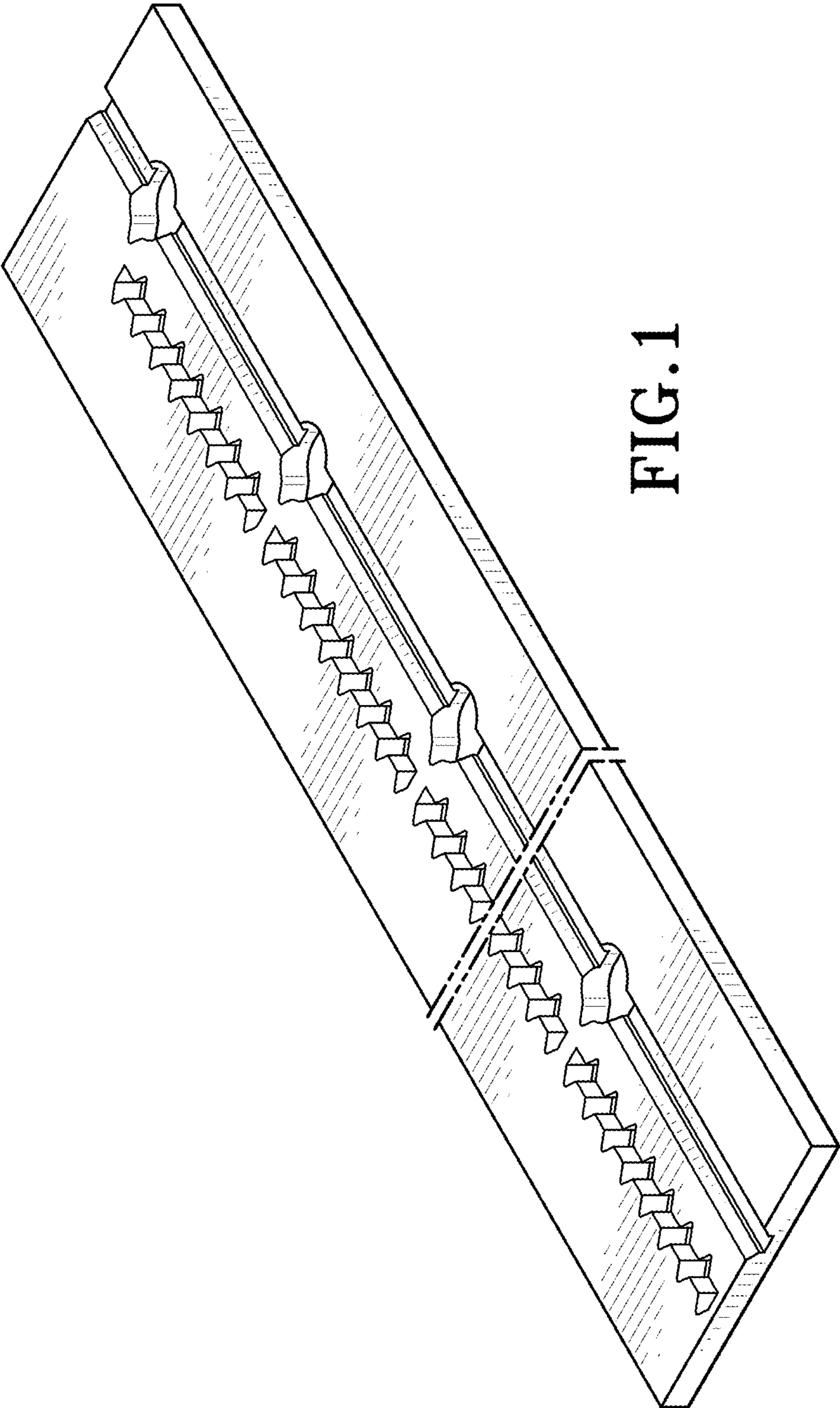


FIG. 1



FIG. 2



FIG. 3

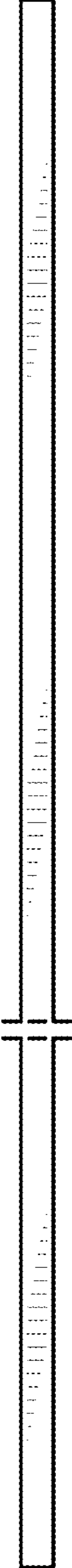


FIG. 4

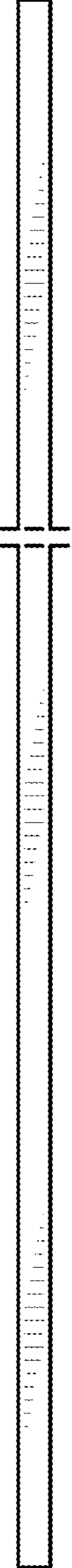


FIG. 5

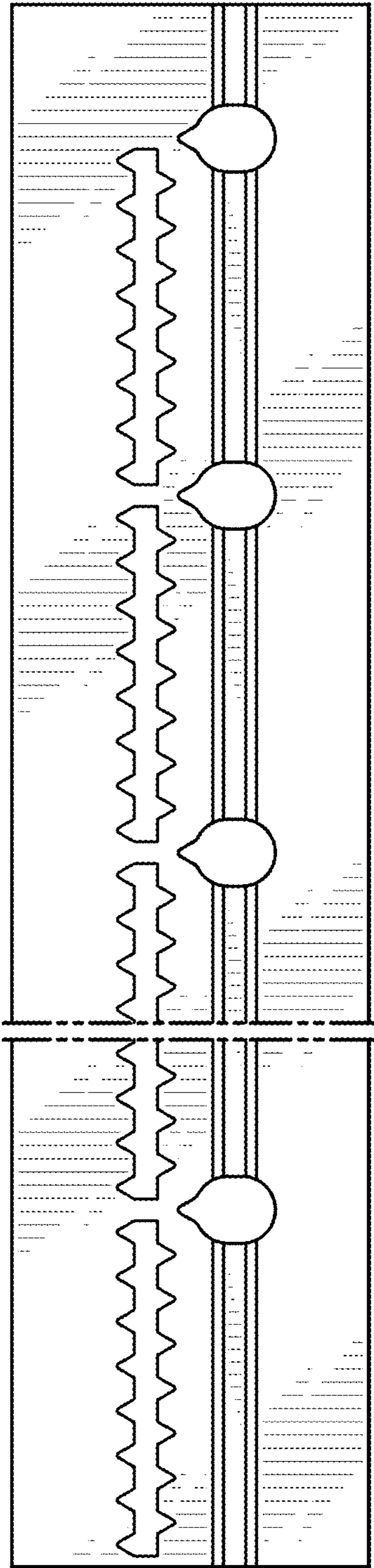


FIG. 6

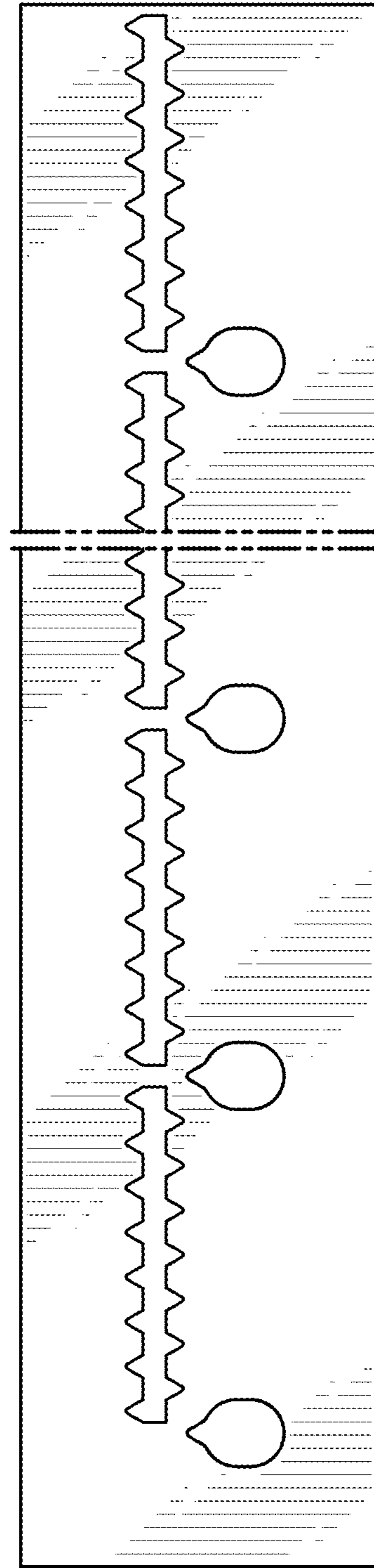


FIG. 7