



US00D954566S

(12) **United States Design Patent** (10) **Patent No.:** **US D954,566 S**
Chen (45) **Date of Patent:** **** Jun. 14, 2022**

(54) **WATER TIMER**

(71) Applicant: **Ningbo Boxi Garden Equipment Co., Ltd., Zhejiang (CN)**

(72) Inventor: **Jing Chen, Zhejiang (CN)**

(73) Assignee: **Ningbo Boxi Garden Equipment Co., Ltd., Zhejiang (CN)**

(**) Term: **15 Years**

(21) Appl. No.: **29/796,209**

(22) Filed: **Jun. 23, 2021**

(30) **Foreign Application Priority Data**

Jun. 11, 2021 (CN) 202130364952.2

(51) **LOC (13) Cl.** **10-03**

(52) **U.S. Cl.**
USPC **D10/40**

(58) **Field of Classification Search**
USPC D10/40-41, 101; D13/162.1, 184;
D23/245, 246

CPC A01G 25/162; A01G 25/165; G05B
2219/2625; Y10T 137/86389; Y10T
137/86397

See application file for complete search history.

(56) **References Cited**

U.S. PATENT DOCUMENTS

D431,195 S * 9/2000 Clivio D10/40
D559,708 S * 1/2008 Michael D10/40
D567,681 S * 4/2008 Michael D10/40
D604,184 S 11/2009 Leer
D630,952 S * 1/2011 Nies D10/40
D636,278 S * 4/2011 Franchini D10/40
D657,263 S * 4/2012 Nies D10/40
D857,529 S * 8/2019 Rodriguez D10/49
D886,645 S * 6/2020 Chen D10/40

D896,105 S 9/2020 Xu
10,959,385 B1 * 3/2021 Chen F16K 31/48
D935,332 S * 11/2021 Chen D10/40
2021/0267145 A1 * 9/2021 Chen F17C 13/04

FOREIGN PATENT DOCUMENTS

EP 3777523 A1 * 2/2021 A01G 25/165
GB 2577721 A * 4/2020 A01G 25/165

OTHER PUBLICATIONS

Smart Soil Moisture Sensor | alibaba.com; no posting date [online].
© 1999-2022 [retrieved May 2, 2022] from Internet: <https://www.alibaba.com/product-detail/Wholesales-new-garden-electronic-big-screen_1600469501734.html?spm=a2700.shop_plgr.41413.10.88103f7ewUMIvN> (Year: 2022).*

* cited by examiner

Primary Examiner — Katherine Glennon

(74) *Attorney, Agent, or Firm* — ScienBiziP, P.C.

(57) **CLAIM**

The ornamental design for a water timer, as shown and described.

DESCRIPTION

FIG. 1 is a front, right, and top perspective view of a water timer, showing my design.

FIG. 2 is a rear, left, and bottom perspective view thereof.

FIG. 3 is a front elevation view thereof.

FIG. 4 is a rear elevation view thereof.

FIG. 5 is a left side elevation view thereof.

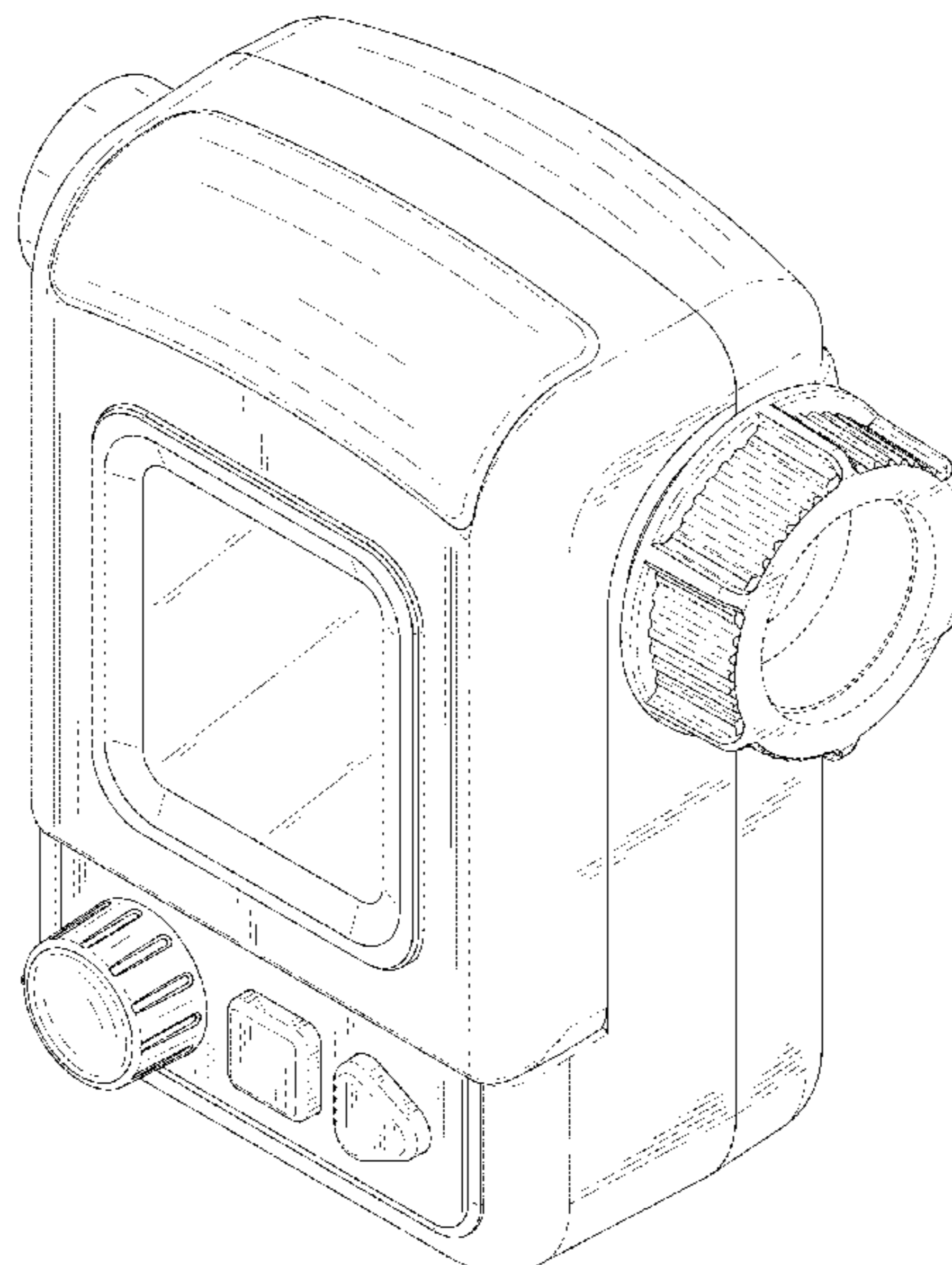
FIG. 6 is a right side elevation view thereof.

FIG. 7 is a top plan view thereof; and,

FIG. 8 is a bottom plan view thereof.

The broken lines shown in the drawings are included for the purpose of illustrating portions of the water timer that form no part of the claimed design.

1 Claim, 8 Drawing Sheets



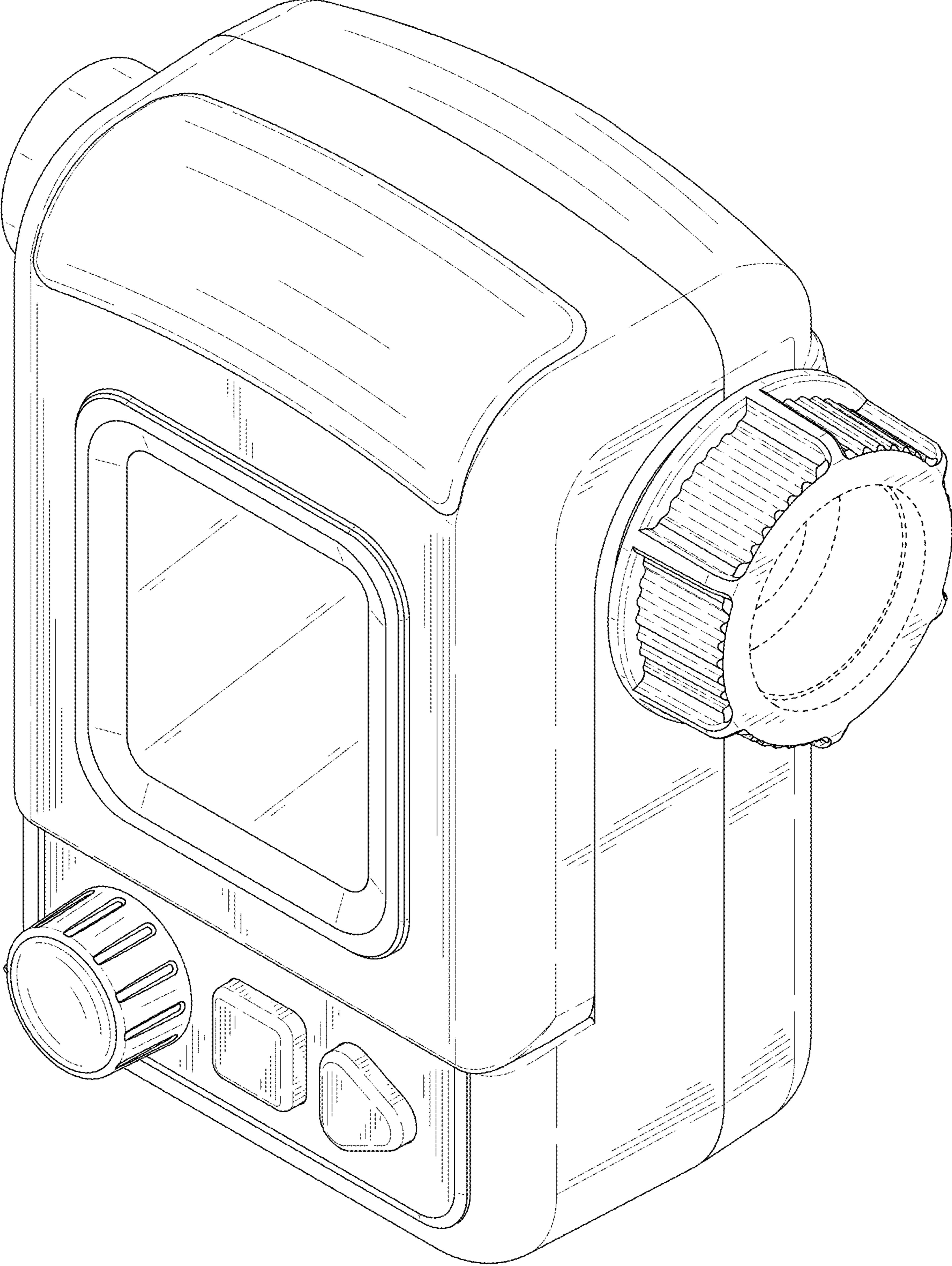


FIG. 1

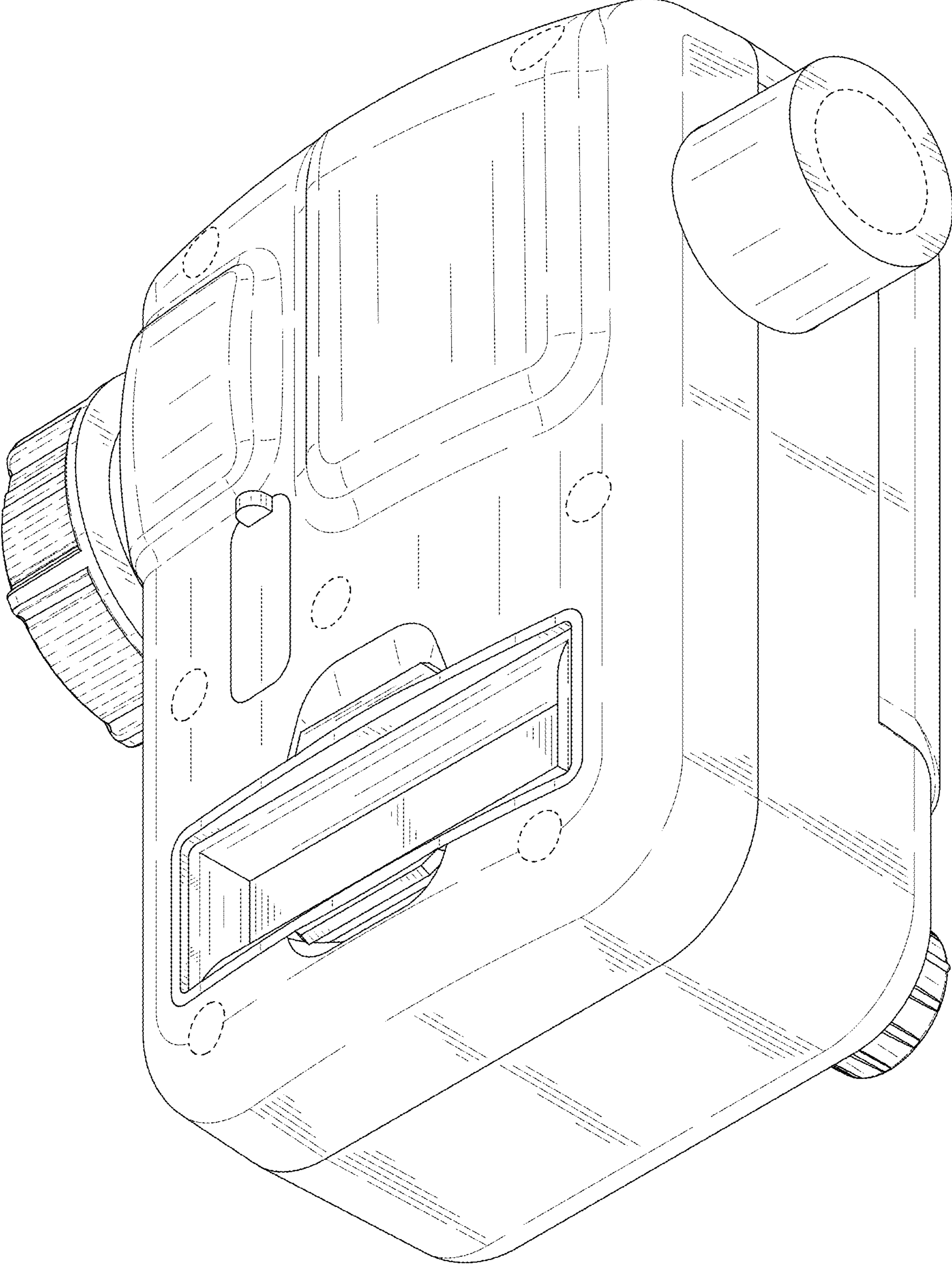


FIG. 2

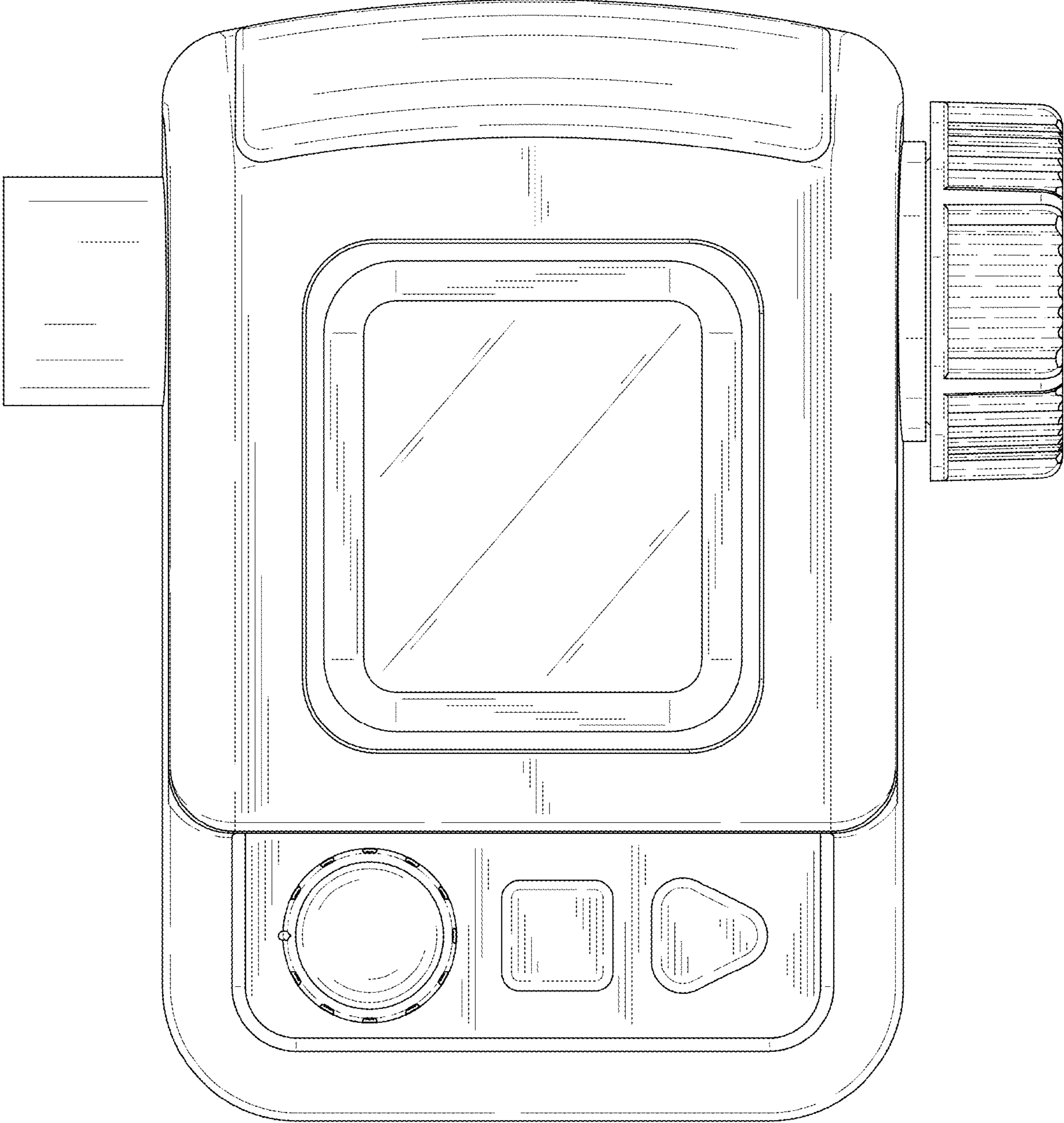


FIG. 3

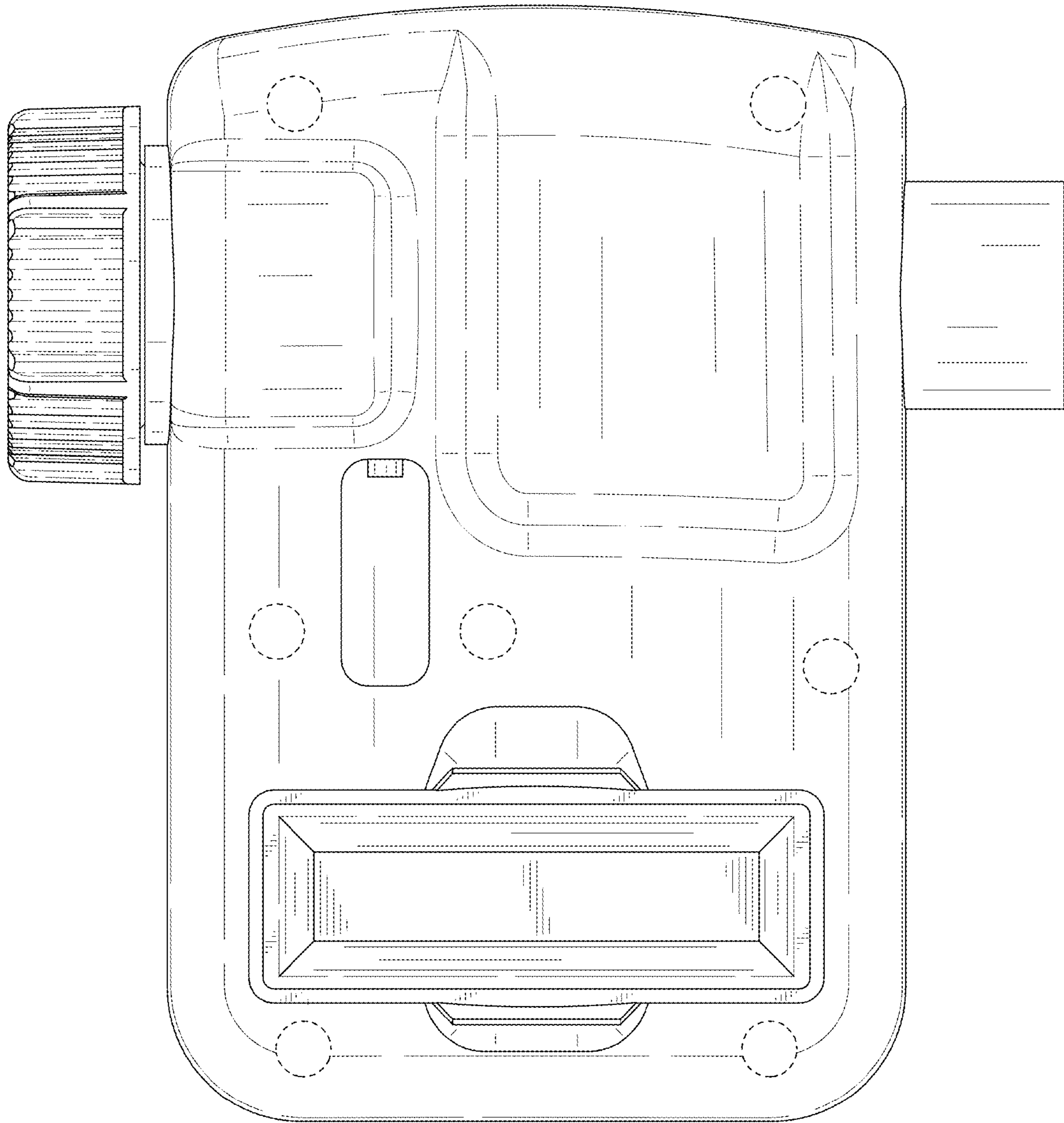


FIG. 4

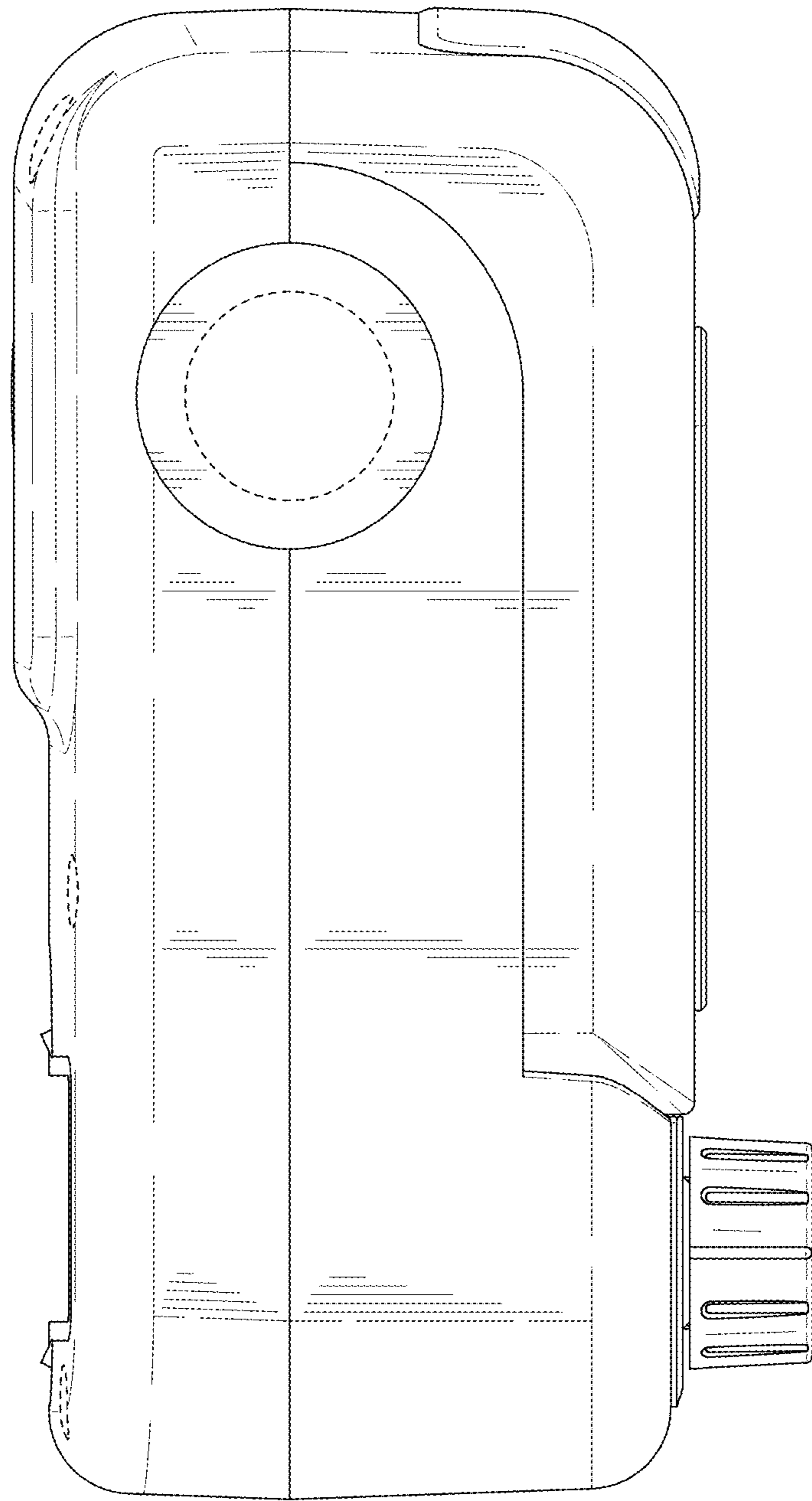


FIG. 5

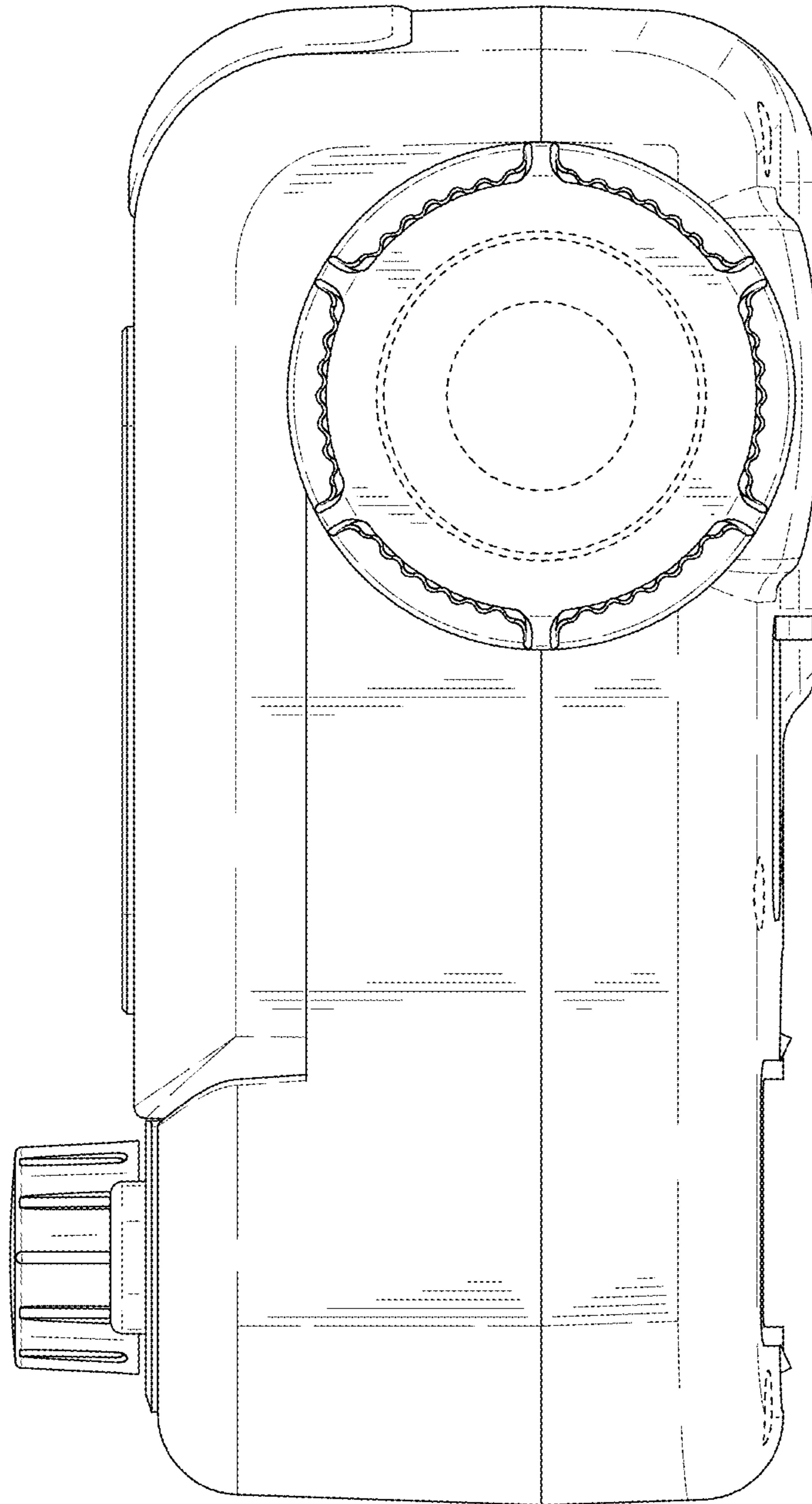


FIG. 6

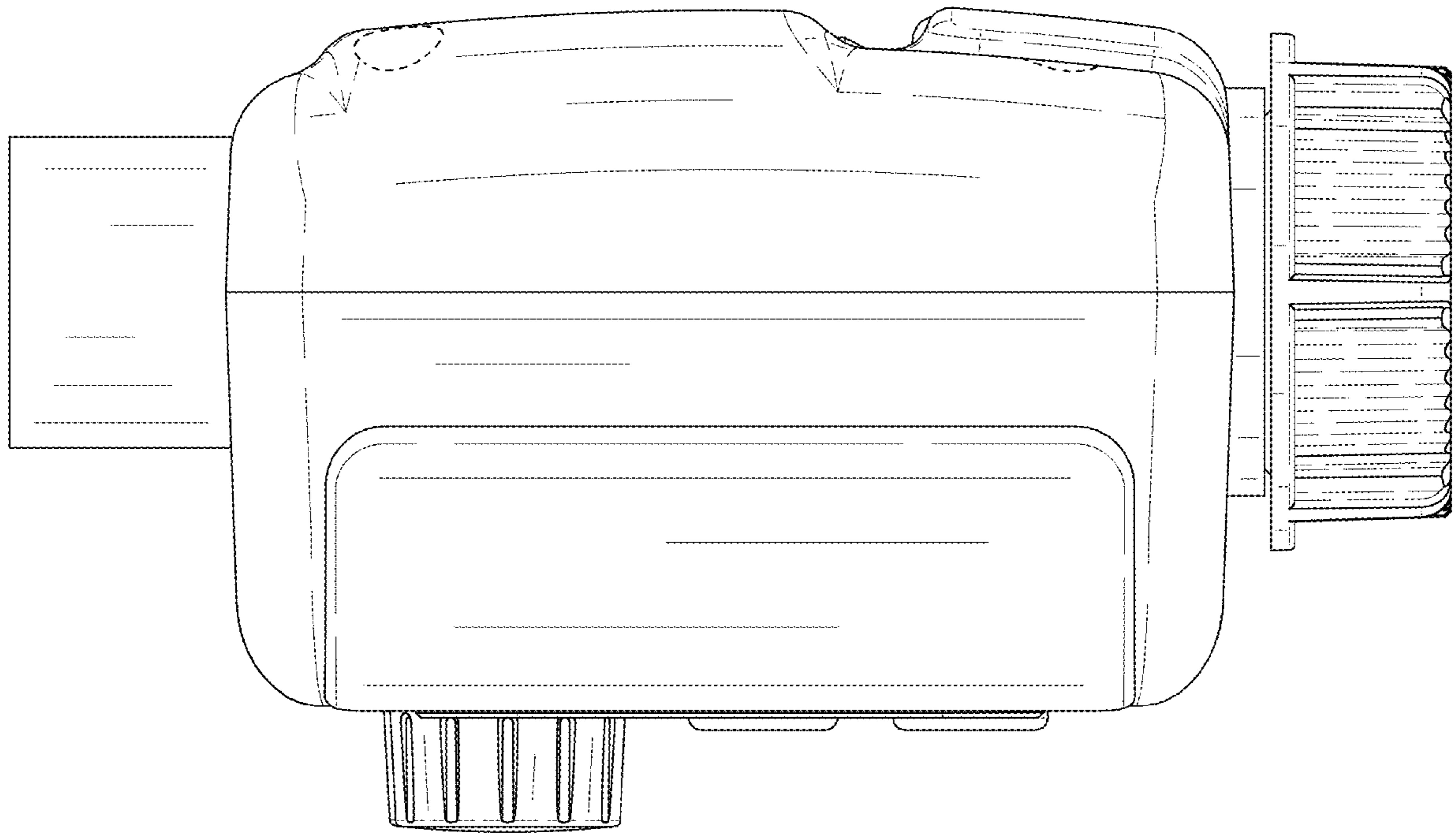


FIG. 7

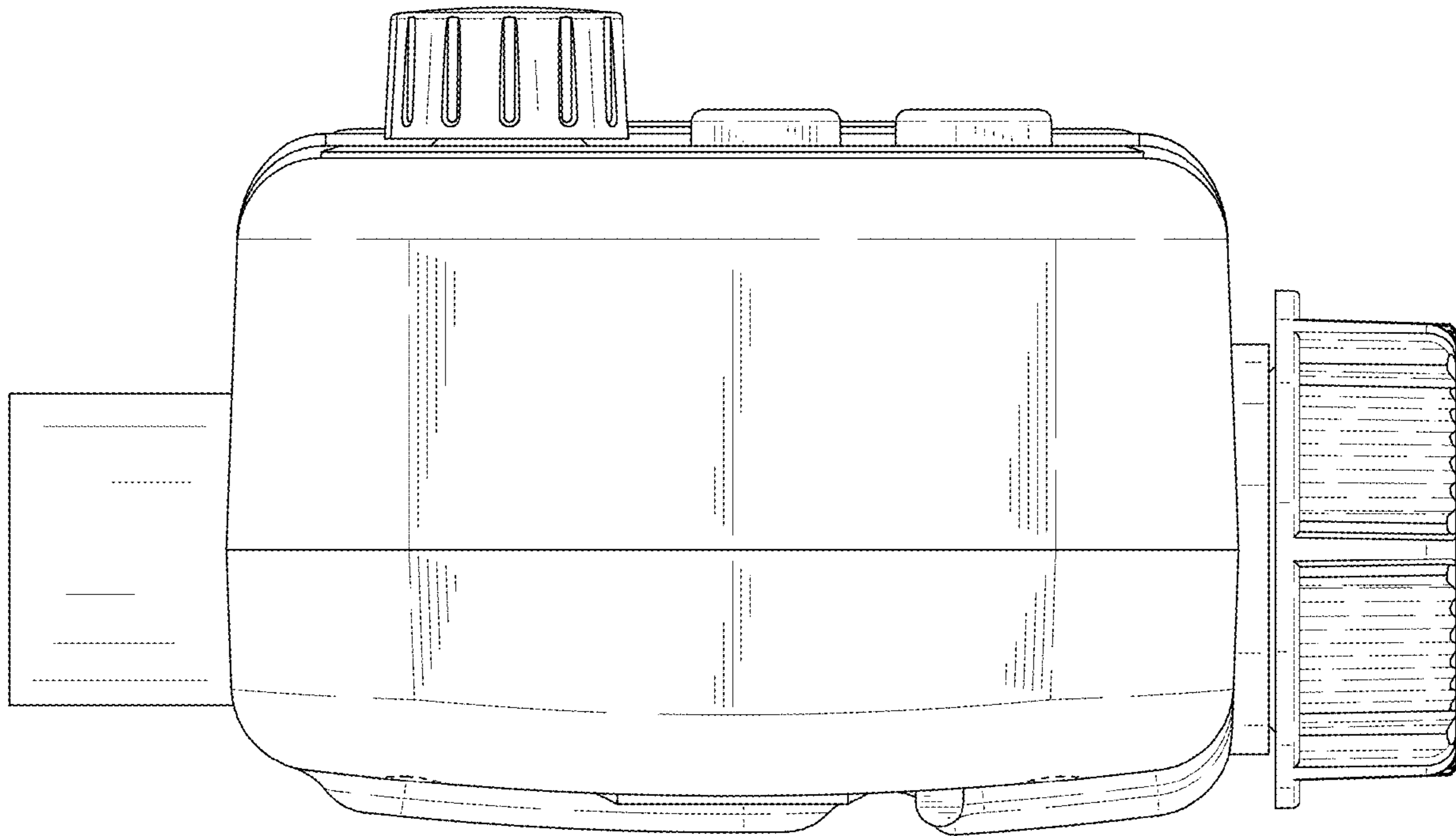


FIG. 8