



US00D954565S

(12) **United States Design Patent** (10) **Patent No.:** **US D954,565 S**
Parmigiani (45) **Date of Patent:** **** Jun. 14, 2022**

(54) **WATCH**
(71) Applicant: **Michel Parmigiani**, Fleurier (CH)
(72) Inventor: **Michel Parmigiani**, Fleurier (CH)
(73) Assignee: **PARMIGIANI FLEURIER SA**,
Fleurier (CH)
(**) Term: **15 Years**

(21) Appl. No.: **29/755,007**

(22) Filed: **Oct. 16, 2020**

(30) **Foreign Application Priority Data**

Apr. 17, 2020 (WO) WIPO94125

(51) **LOC (13) Cl.** **10-02**

(52) **U.S. Cl.**
USPC **D10/32**

(58) **Field of Classification Search**
USPC D10/30-39, 122-128, 131, 132
CPC G04B 19/00; G04B 19/065; G04B 19/08;
G04B 19/082-087; G04B 19/106; G04B
19/22; G04B 19/243; G04B 19/12; G04B
37/00; G04B 37/0008; G09B 19/06
See application file for complete search history.

(56) **References Cited**

U.S. PATENT DOCUMENTS

D381,595 S * 7/1997 Kennedy D10/122
D526,581 S * 8/2006 Calvani D10/39
D618,119 S * 6/2010 Tonohori D10/38
D650,709 S * 12/2011 Duport D10/39
D671,429 S * 11/2012 Parmigiani D10/38
D708,073 S * 7/2014 Parmigiani D10/38
D725,527 S * 3/2015 Parmigiani D10/128
D725,528 S * 3/2015 Parmigiani D10/128
D727,755 S * 4/2015 Laucella D10/39
D760,105 S * 6/2016 Monachon D10/124

D761,129 S * 7/2016 Calvani D10/30
D762,126 S * 7/2016 Izuka D10/32
D762,488 S * 8/2016 Kishino D10/32
D826,070 S * 8/2018 Parmigiani D10/30
D830,204 S * 10/2018 Parmigiani D10/39
D833,314 S * 11/2018 Duport D10/126
D848,865 S * 5/2019 Behling D10/32
D849,565 S * 5/2019 Behling D10/39
D860,821 S * 9/2019 Bove D10/38
D863,073 S * 10/2019 Bove D10/39
D880,333 S * 4/2020 Parmigiani D10/126
D880,334 S * 4/2020 Parmigiani D10/126
D881,028 S * 4/2020 Laucella D10/39
2007/0153636 A1 * 7/2007 Burkhardt G04B 19/24
368/28
2018/0231942 A1 * 8/2018 Sawada G04B 19/06
(Continued)

OTHER PUBLICATIONS

Parmigiani Fleurier Tondagraph GT Annual Calendar Chrono-
graph | hodinkee.com; Jul. 9, 2020 [online]. © 2009-2021, Hodinkee
Inc [retrieved Nov. 5, 2021] from Internet: <<https://www.hodinkee.com/articles/parmigiani-fleurier-tondagraphe-gt-annual-calendar-chronograph-live-pics-pricing-introducing>> (Year: 2020).*

Primary Examiner — Katherine Glennon

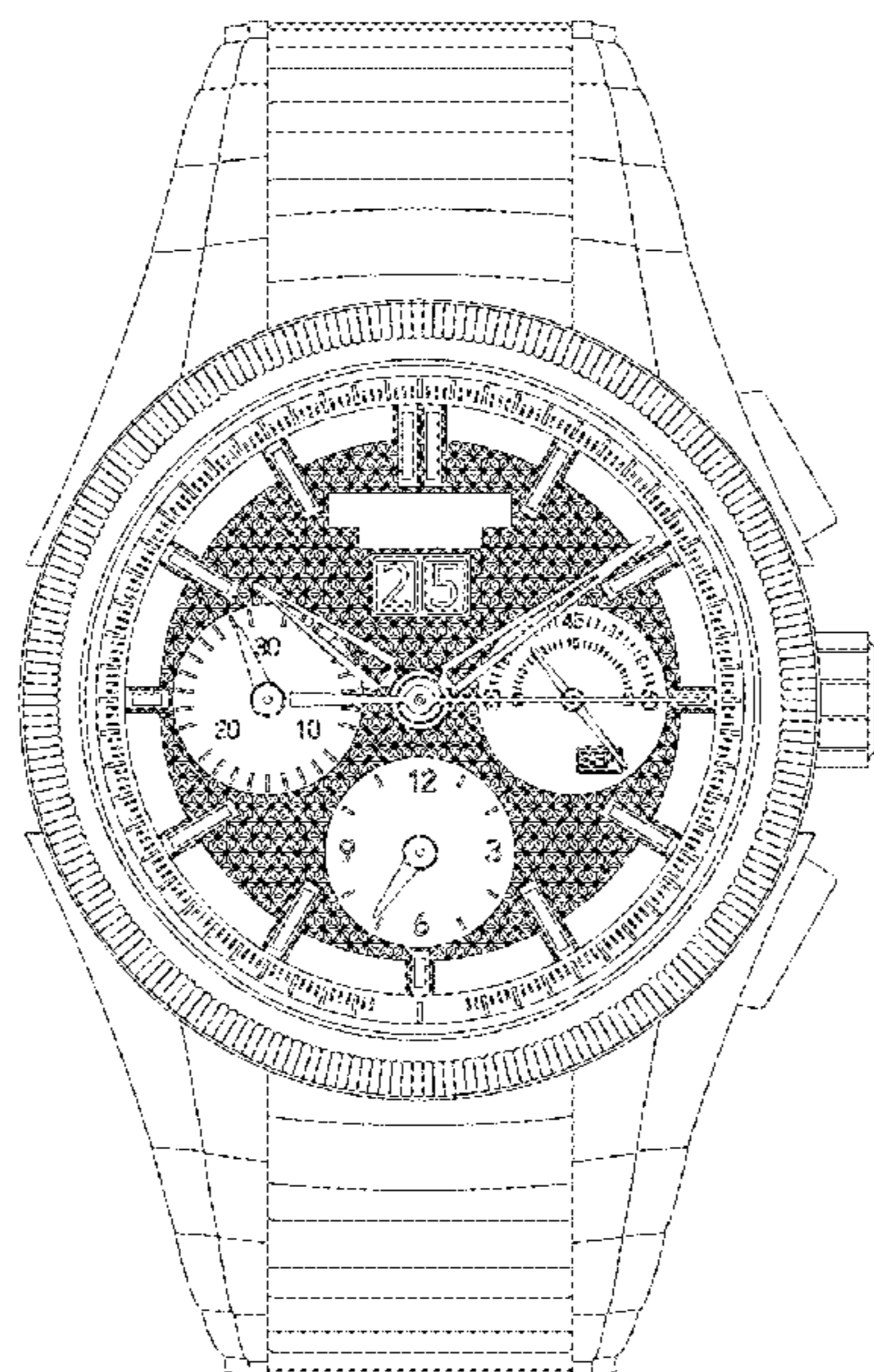
(57) **CLAIM**

The ornamental design for a watch, as shown and described.

DESCRIPTION

FIG. 1 is a top plan view of a watch showing my new design;
FIG. 2 is a bottom plan view thereof;
FIG. 3 is a rear elevational view thereof;
FIG. 4 is a front elevational view thereof;
FIG. 5 is a left side elevational view thereof;
FIG. 6 is a right side elevational view thereof;
FIG. 7 is a top right perspective view thereof; and,
FIG. 8 is a bottom right perspective view thereof.

1 Claim, 8 Drawing Sheets



(56)

References Cited

U.S. PATENT DOCUMENTS

2019/0033792 A1* 1/2019 Nagasawa G04B 37/225
2019/0079457 A1* 3/2019 Finck A44C 5/14

* cited by examiner

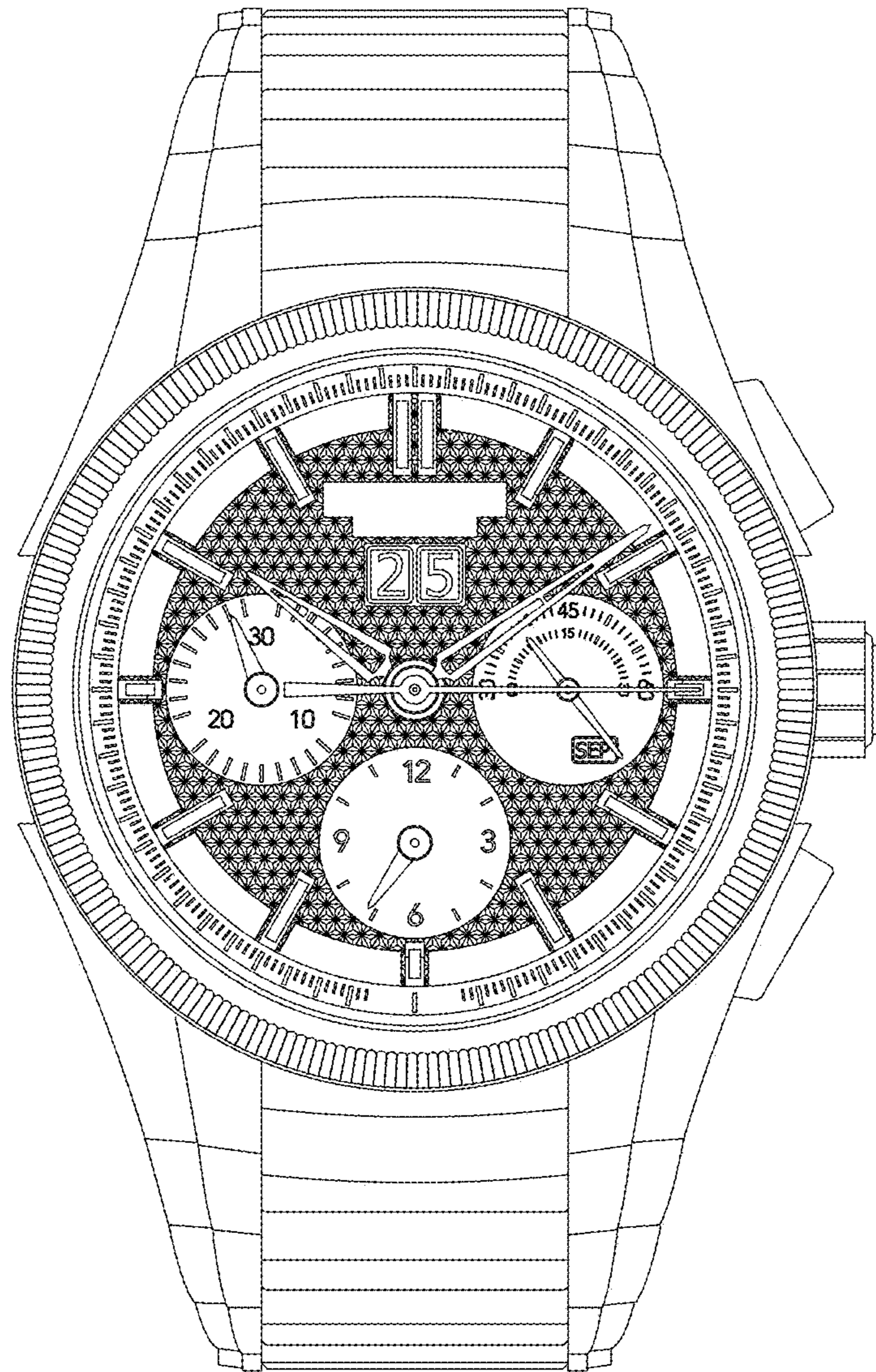


Fig.1

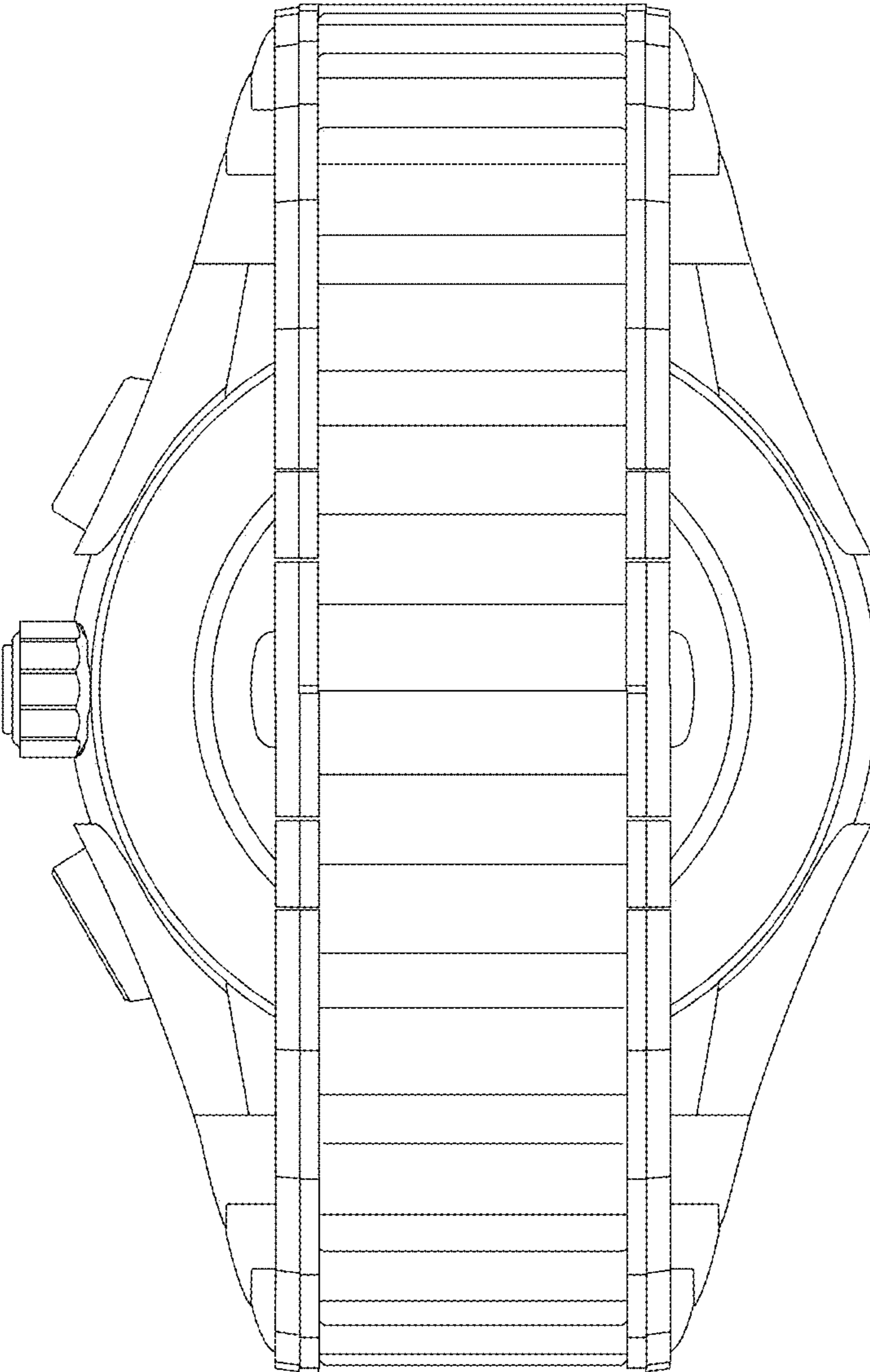


FIG. 2

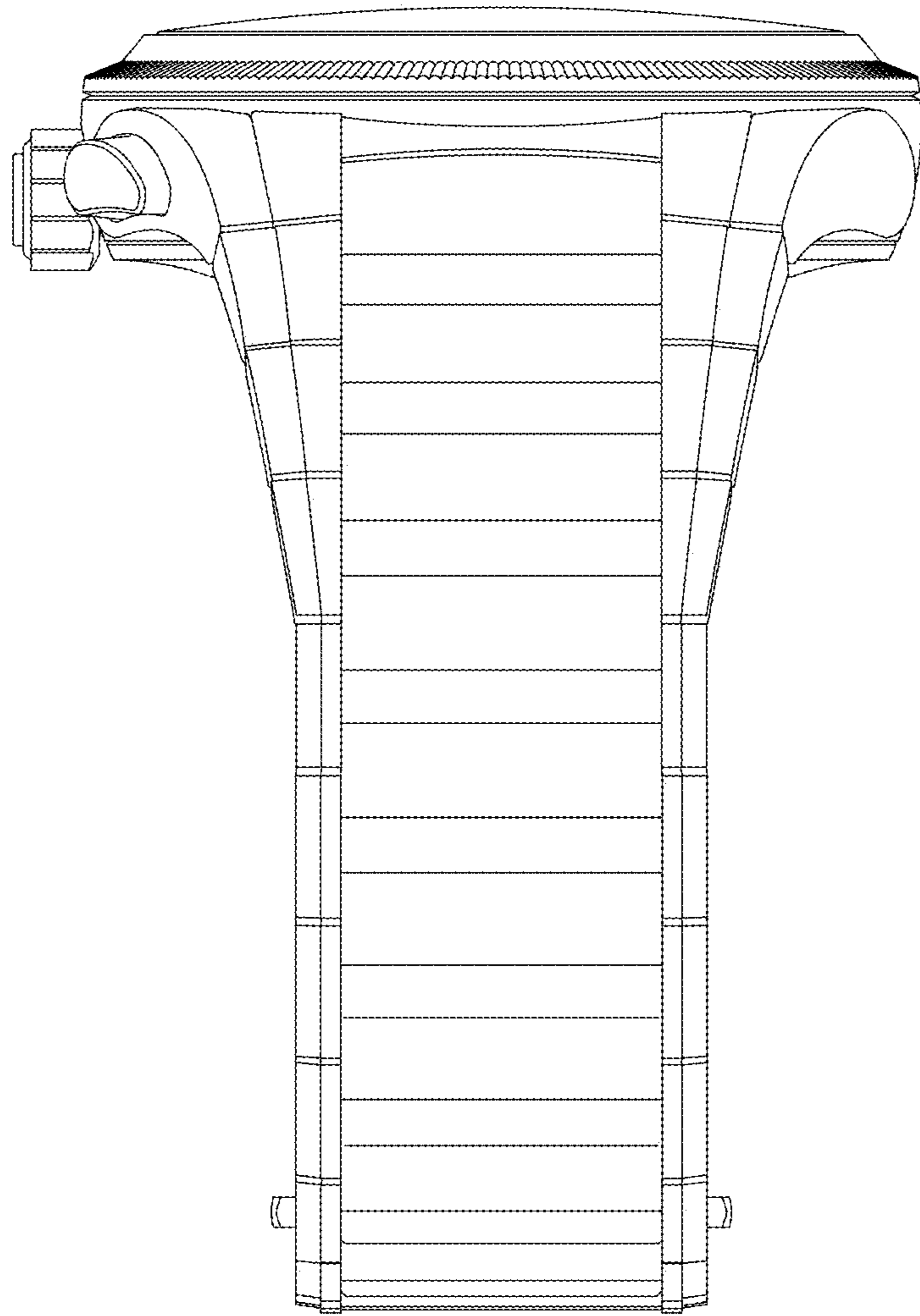


Fig.3

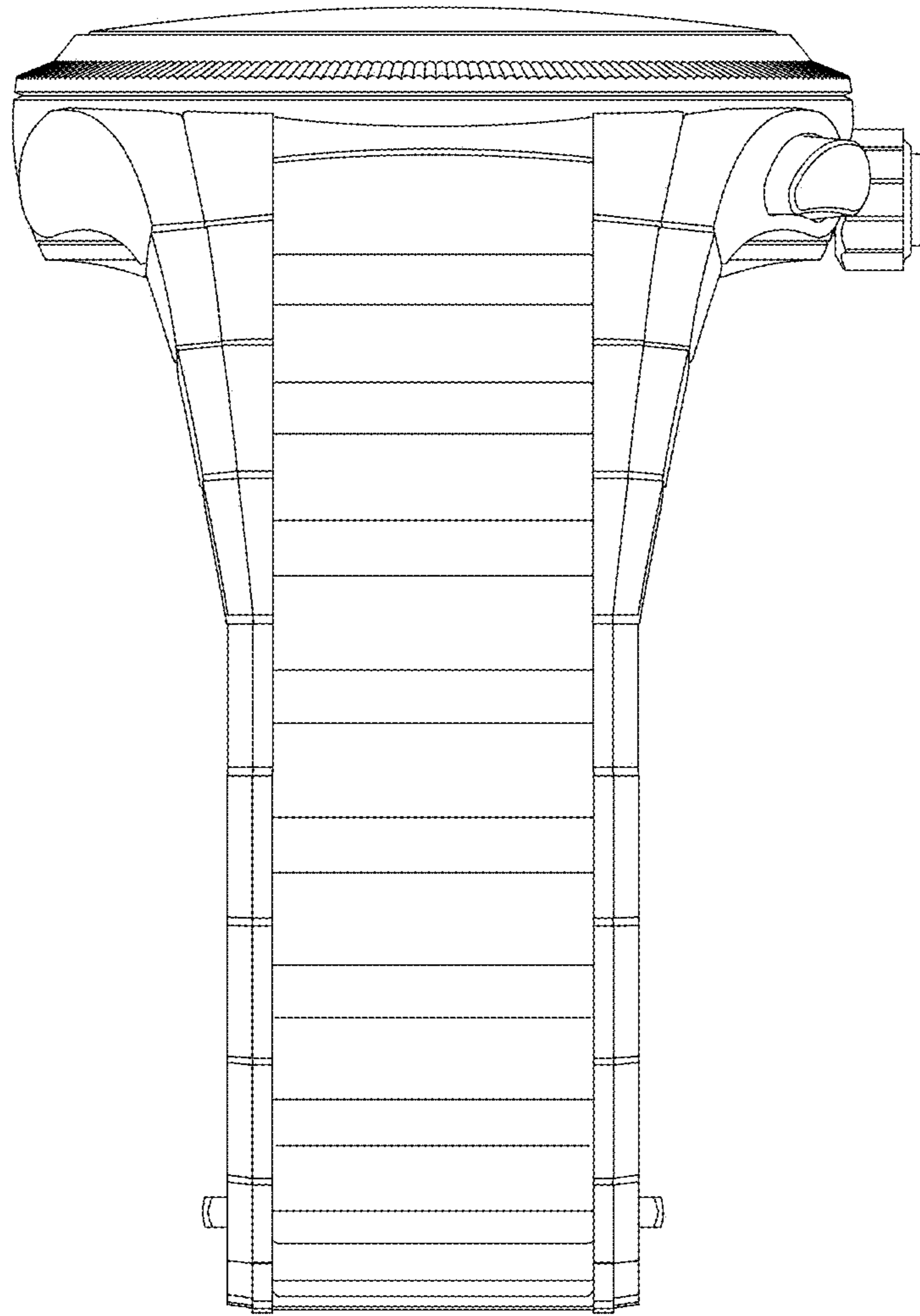


Fig.4

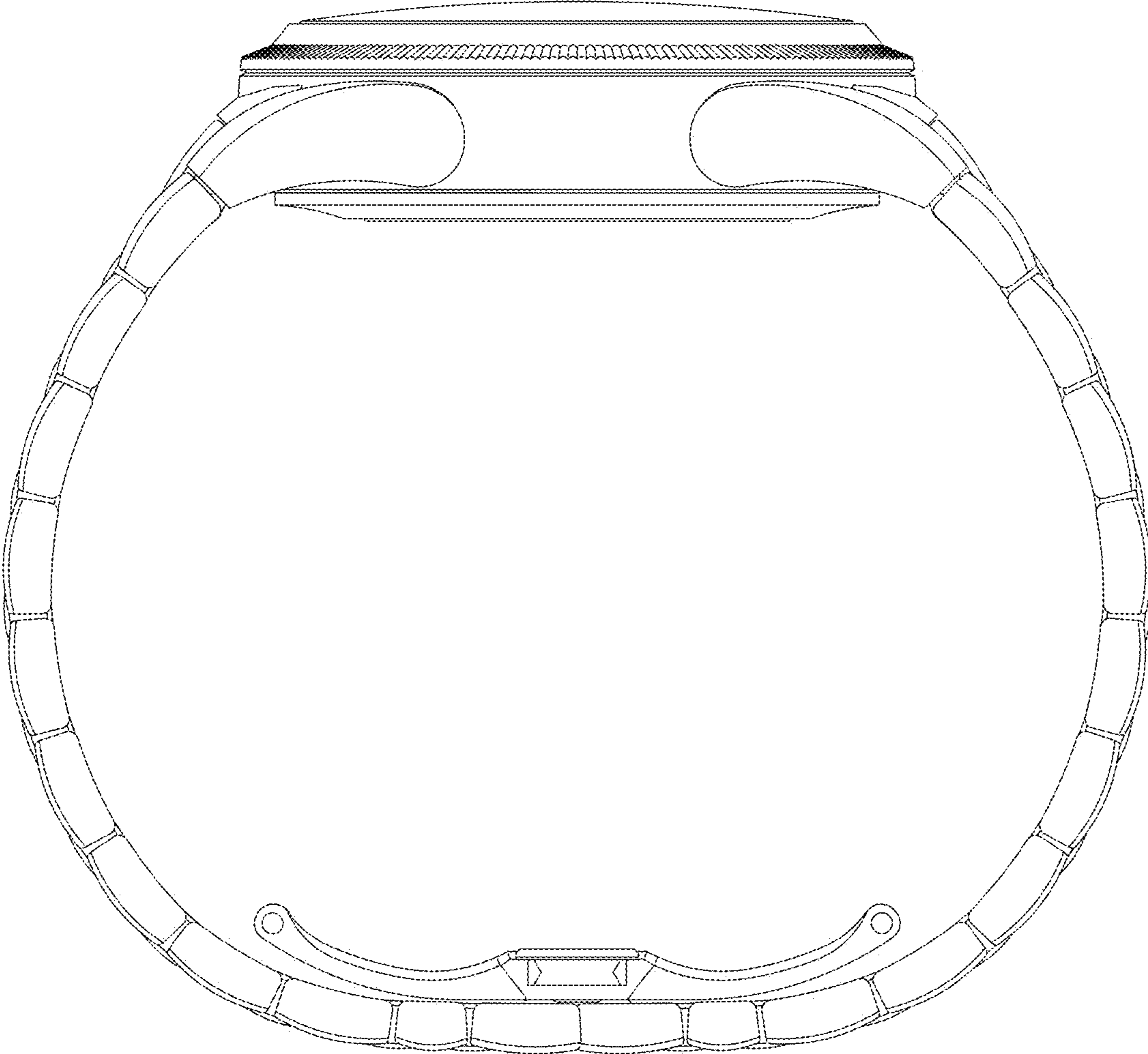


Fig.5

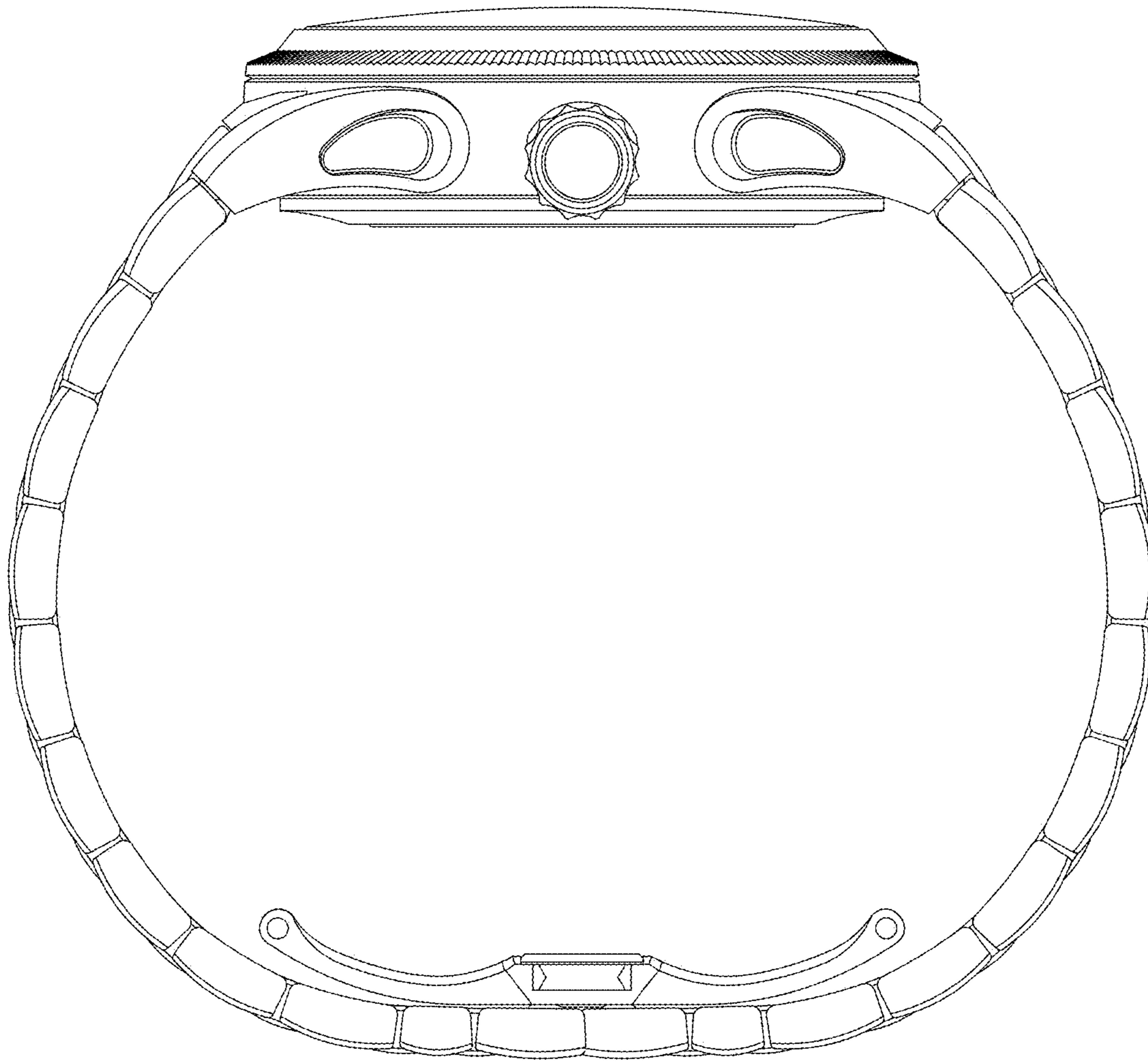


Fig.6

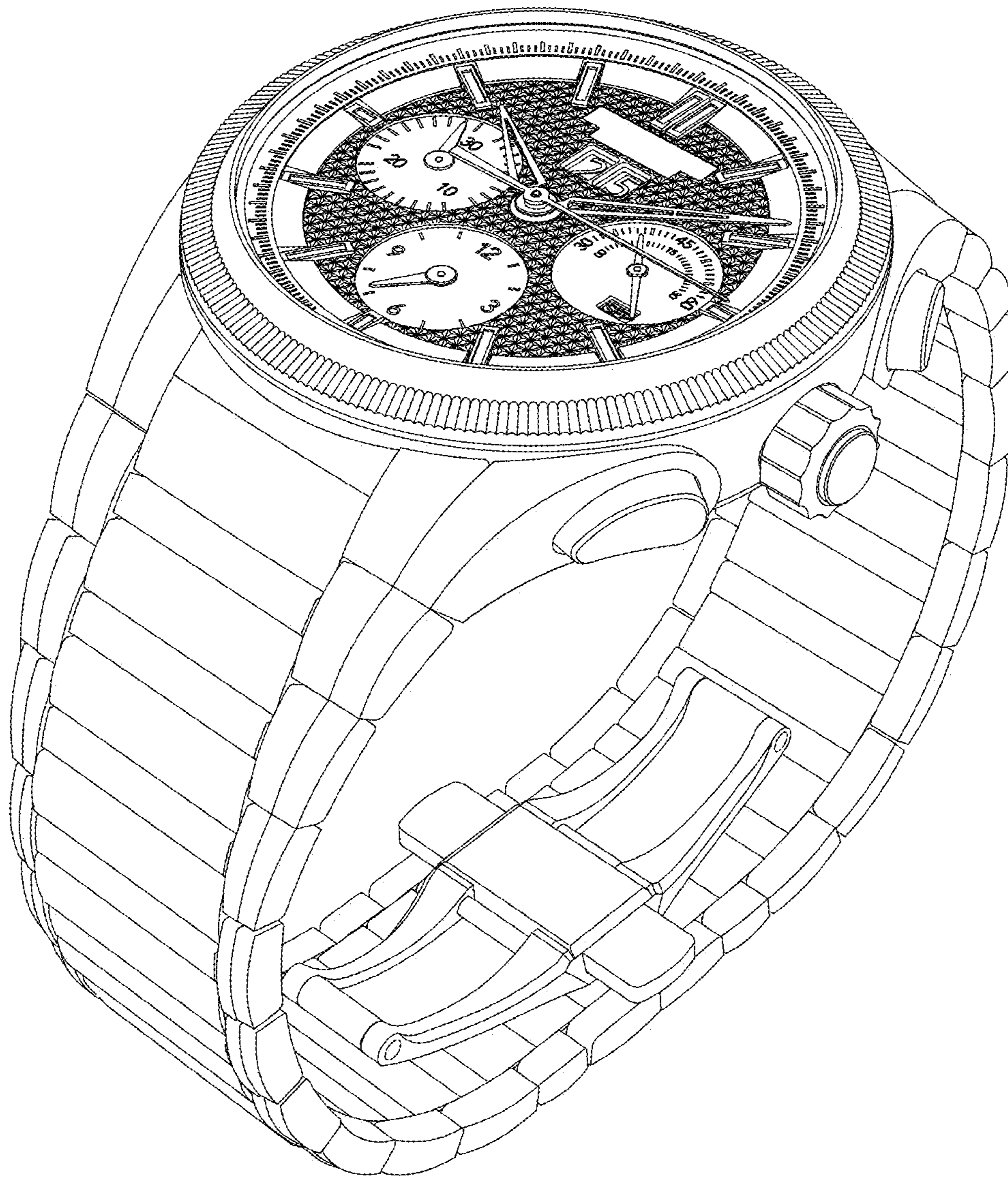


FIG. 7

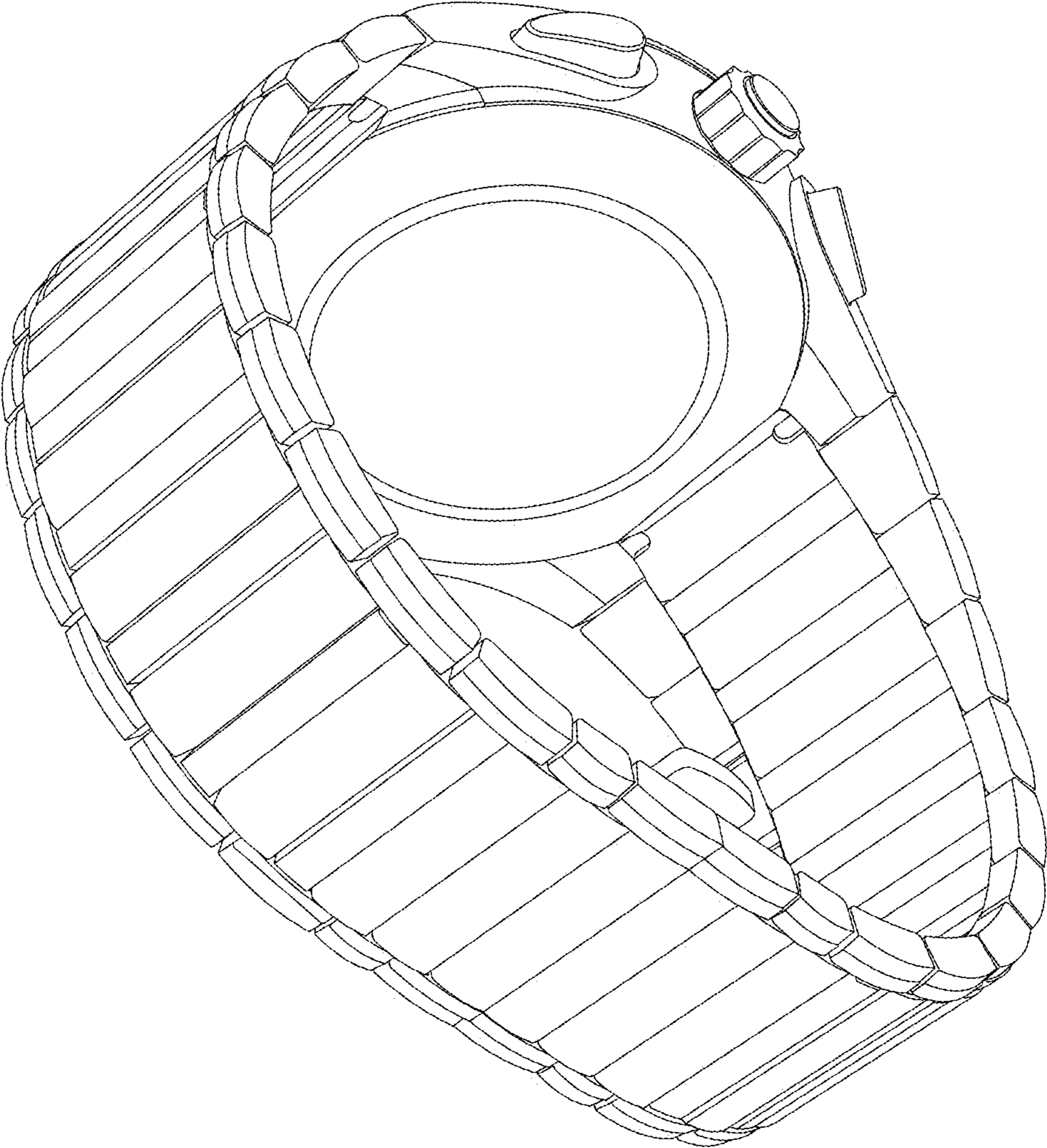


FIG. 8