



US00D954560S

(12) **United States Design Patent**  
**Karlsson**

(10) **Patent No.:** **US D954,560 S**  
(45) **Date of Patent:** **\*\* Jun. 14, 2022**

(54) **SNUFF PACKAGE**

(71) Applicant: **Swedish Match North Europe AB**,  
Stockholm (SE)

(72) Inventor: **Johan Karlsson**, Fjärås (SE)

(73) Assignee: **SWEDISH MATCH NORTH**  
**EUROPE AB**, Stockholm (SE)

(\*\*) Term: **15 Years**

(21) Appl. No.: **29/714,414**

(22) Filed: **Nov. 22, 2019**

(30) **Foreign Application Priority Data**

May 27, 2019 (EM) ..... 006524682

(51) **LOC (13) Cl.** ..... **09-05**

(52) **U.S. Cl.**  
USPC ..... **D9/707**

(58) **Field of Classification Search**

USPC ..... D9/702-714, 720-722, 414, 434-435,  
D9/447, 516-517, 452-457, 424,  
D9/430-432; D24/118, 207; 383/901,  
383/203, 107, 119-120, 123, 67;  
222/107, 92, 206, 215; 220/495.03, 675;  
215/381-385, 400; D5/4-6, 8-19, 20-22,  
D5/24, 32, 36; D3/202; 426/106;  
D18/43, 56; D6/601; D27/100-105, 125,  
D27/137, 162, 163, 169-172, 175-194;  
D23/366; D13/103, 108  
CPC ..... B65D 79/005; B65D 81/00; B65D 81/36;  
B65D 33/00; B65D 33/02; B65D 33/04;  
B65D 33/24; A61J 1/00; A61J 1/10;  
A24F 5/04; A24F 23/02; A24F 47/002;  
A24F 47/008; A24F 7/00; B54D 31/00  
See application file for complete search history.

(56) **References Cited**

U.S. PATENT DOCUMENTS

D489,606 S *	5/2004	Lofman	.....	D9/707
D643,745 S *	8/2011	Hartley	.....	D9/707
D772,724 S *	11/2016	Boekeloo	.....	D9/713
D777,569 S *	1/2017	Boekeloo	.....	D9/416
D801,828 S *	11/2017	Persson	.....	D9/707
D804,721 S *	12/2017	Ghiotti	.....	D27/186
D837,447 S *	1/2019	Aspgren	.....	D27/185
D868,369 S *	11/2019	Persson	.....	D27/185
D893,961 S *	8/2020	Brouillac	.....	D7/679
D916,304 S *	4/2021	Okuda	.....	D24/206
D922,674 S *	6/2021	Neias	.....	D27/100

\* cited by examiner

*Primary Examiner* — Abraham Bahta

(74) *Attorney, Agent, or Firm* — Ballard Spahr LLP

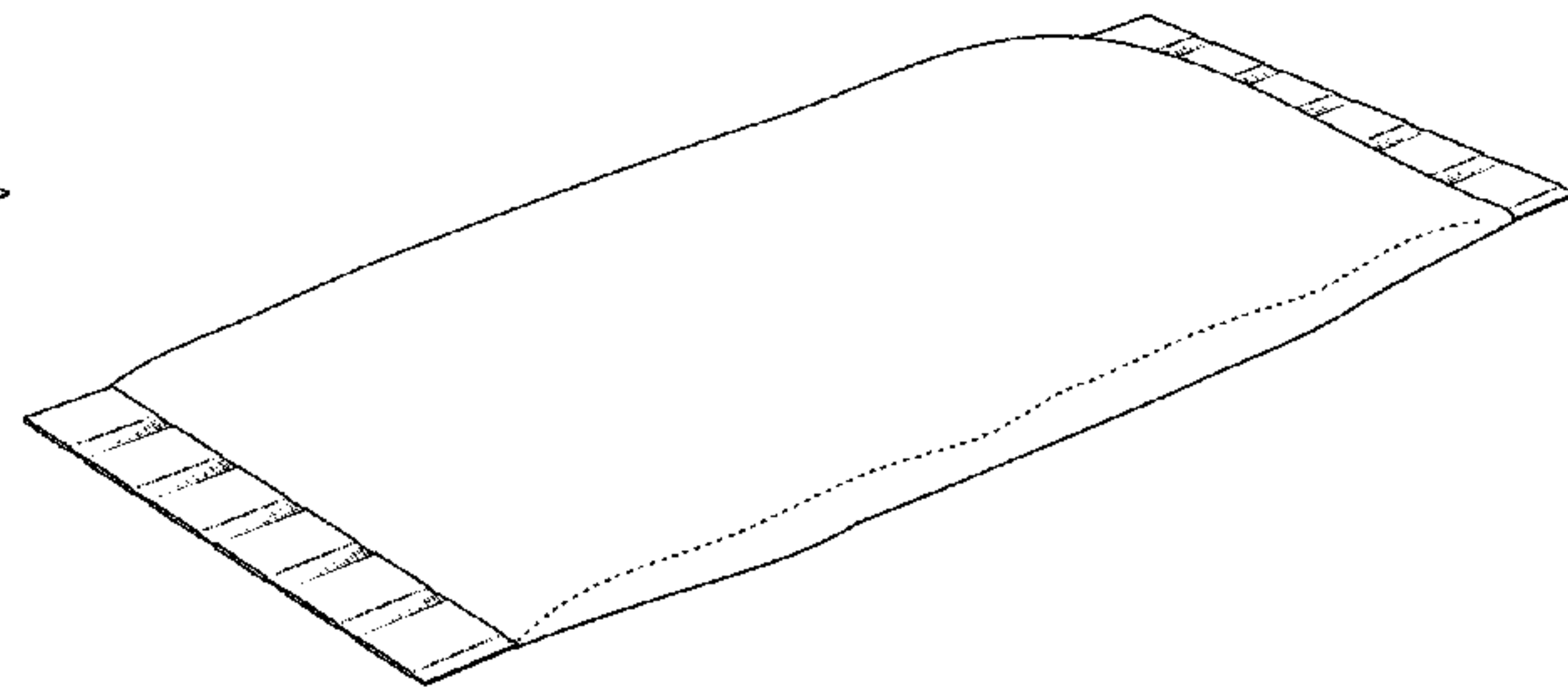
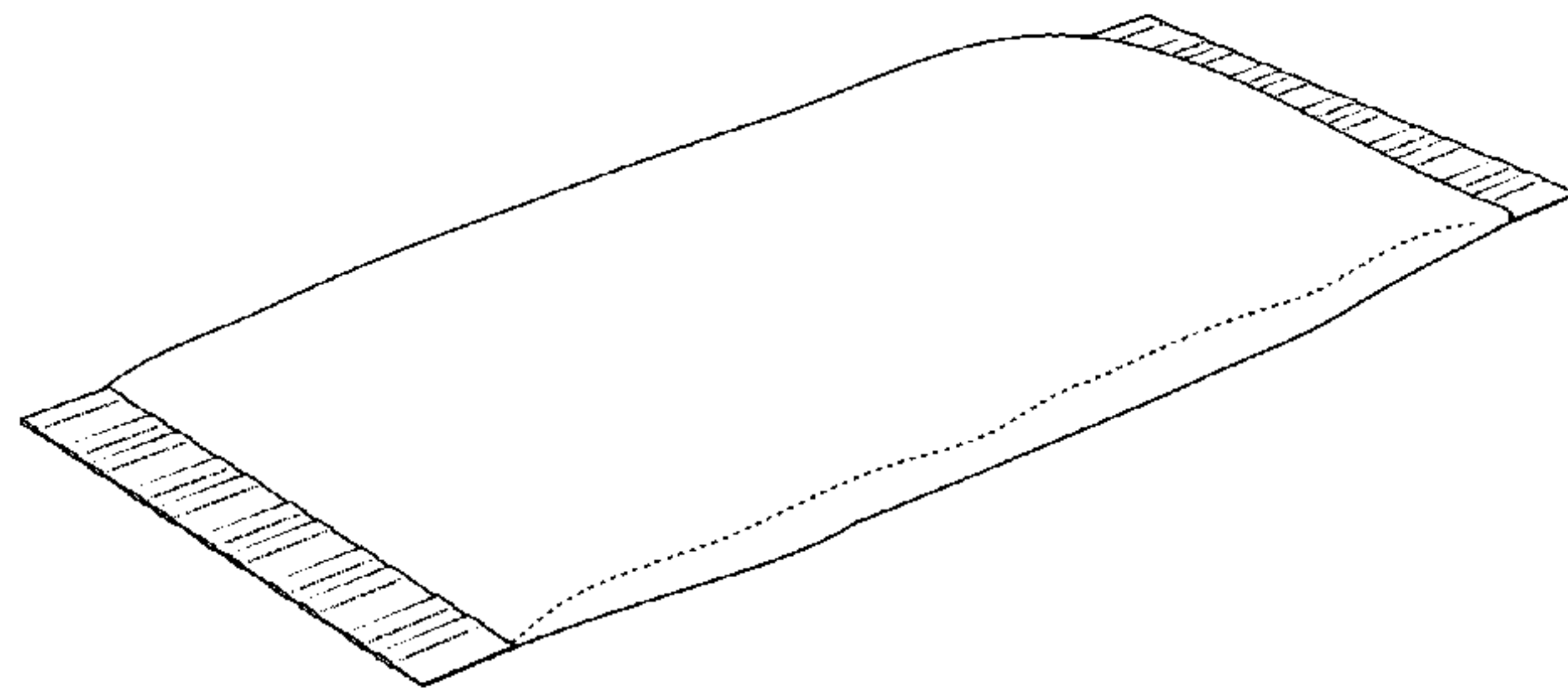
(57) **CLAIM**

The ornamental design for a snuff package, as shown and described.

**DESCRIPTION**

FIG. 1 is a perspective view of a first embodiment of the snuff package showing my new design;  
FIG. 2 is a top plan view thereof;  
FIG. 3 is a left side elevational view thereof;  
FIG. 4 is a front elevational view thereof;  
FIG. 5 is a right side elevational view thereof;  
FIG. 6 is a bottom plan view thereof;  
FIG. 7 is a rear elevational view thereof;  
FIG. 8 is a perspective view of the second embodiment of the snuff package;  
FIG. 9 is a top plan view thereof;  
FIG. 10 is a left side elevational view thereof;  
FIG. 11 is a front elevational view thereof;  
FIG. 12 is a right side elevational view thereof;  
FIG. 13 is a bottom plan view thereof; and,  
FIG. 14 is a rear elevational view thereof.  
The broken lines in the drawings are weld marks and form a part of the claimed design.

**1 Claim, 8 Drawing Sheets**



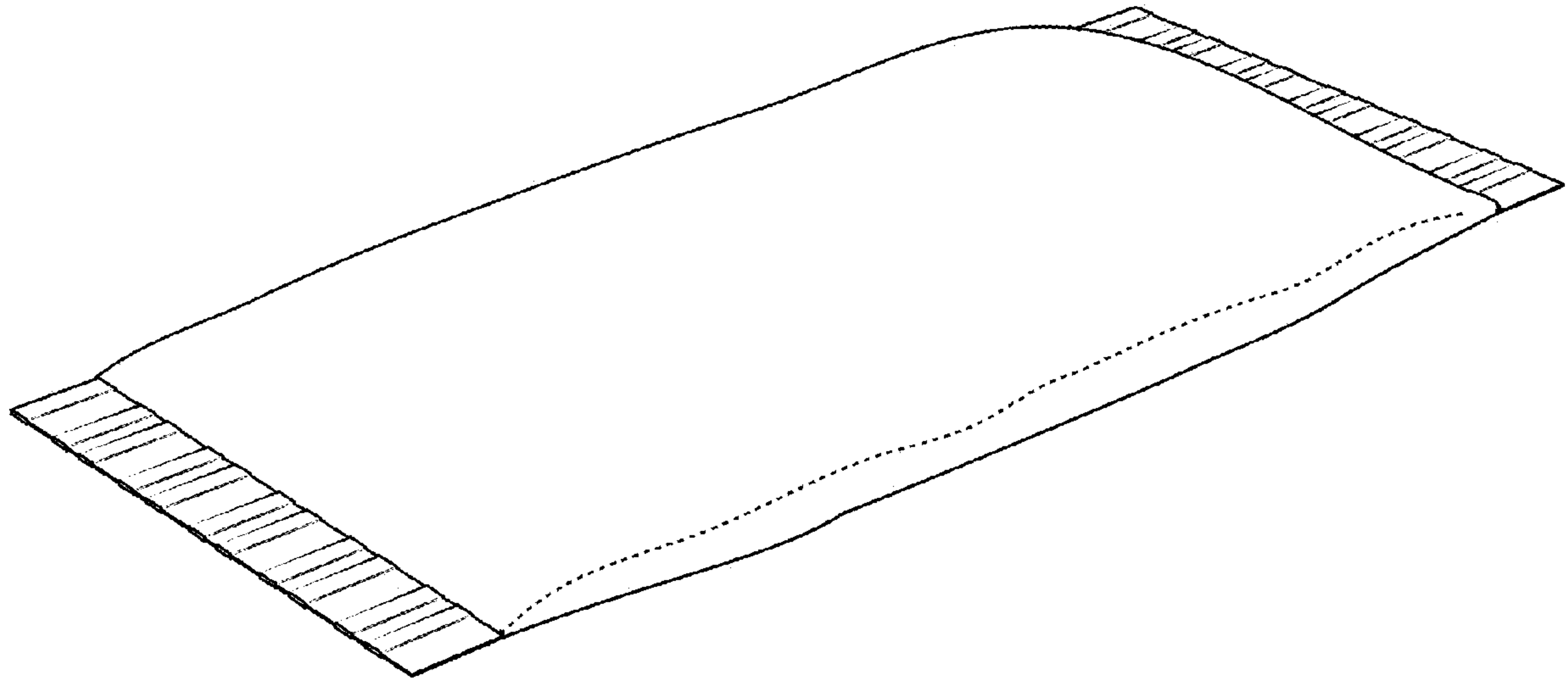


FIG. 1

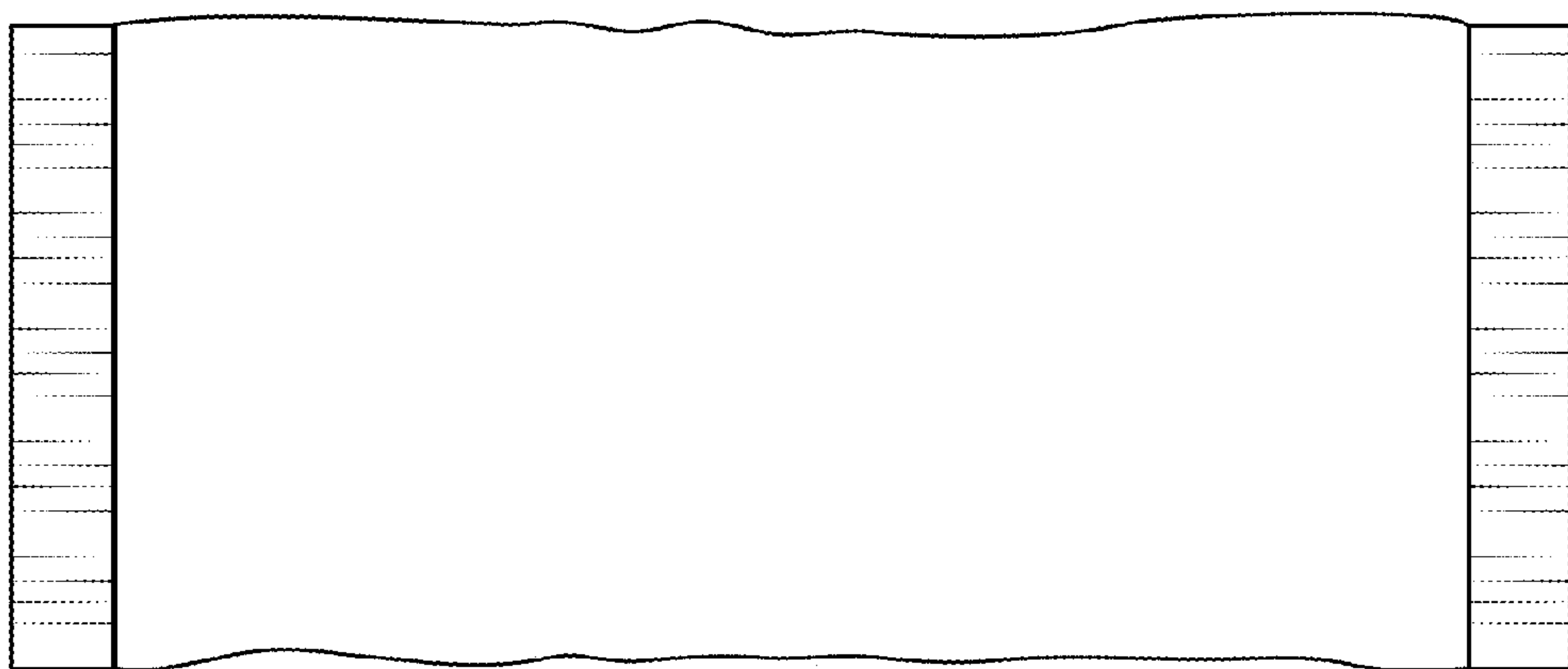


FIG. 2

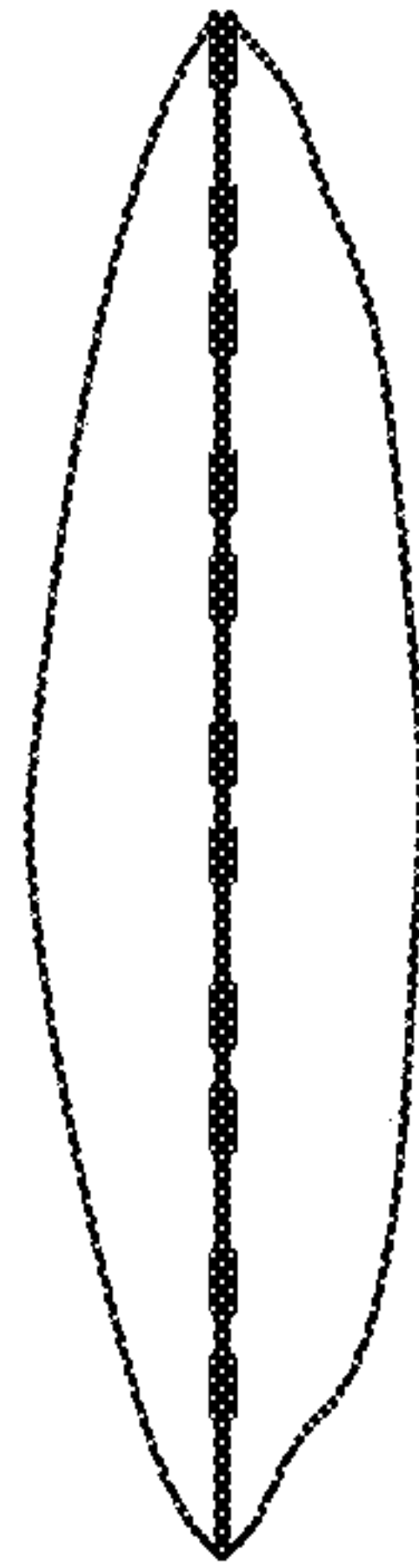


FIG. 3

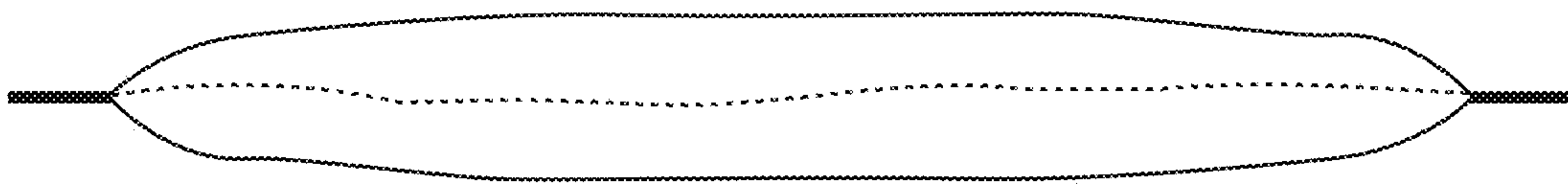


FIG. 4

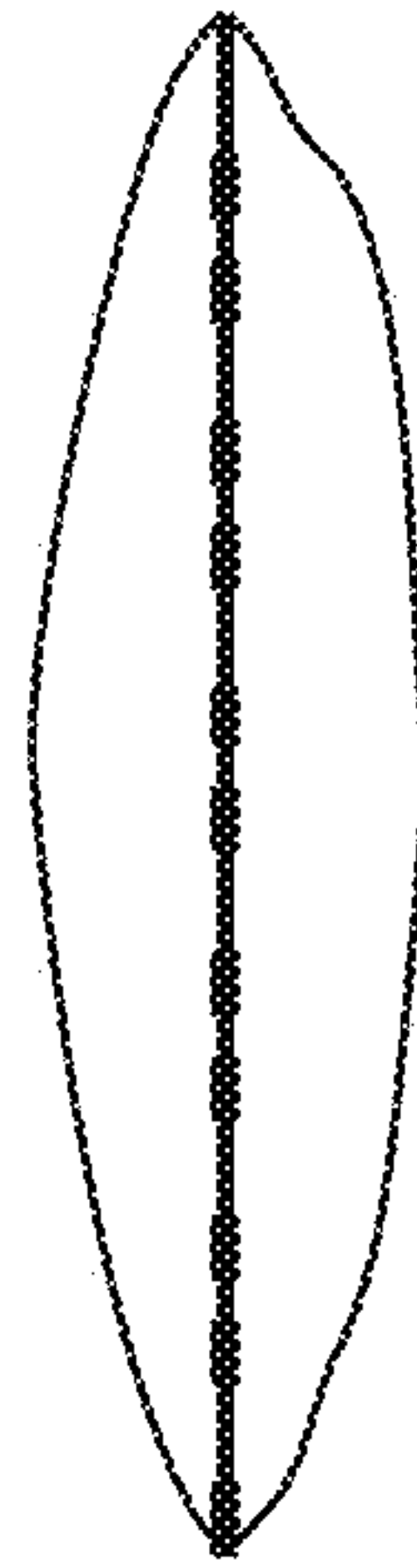


FIG. 5

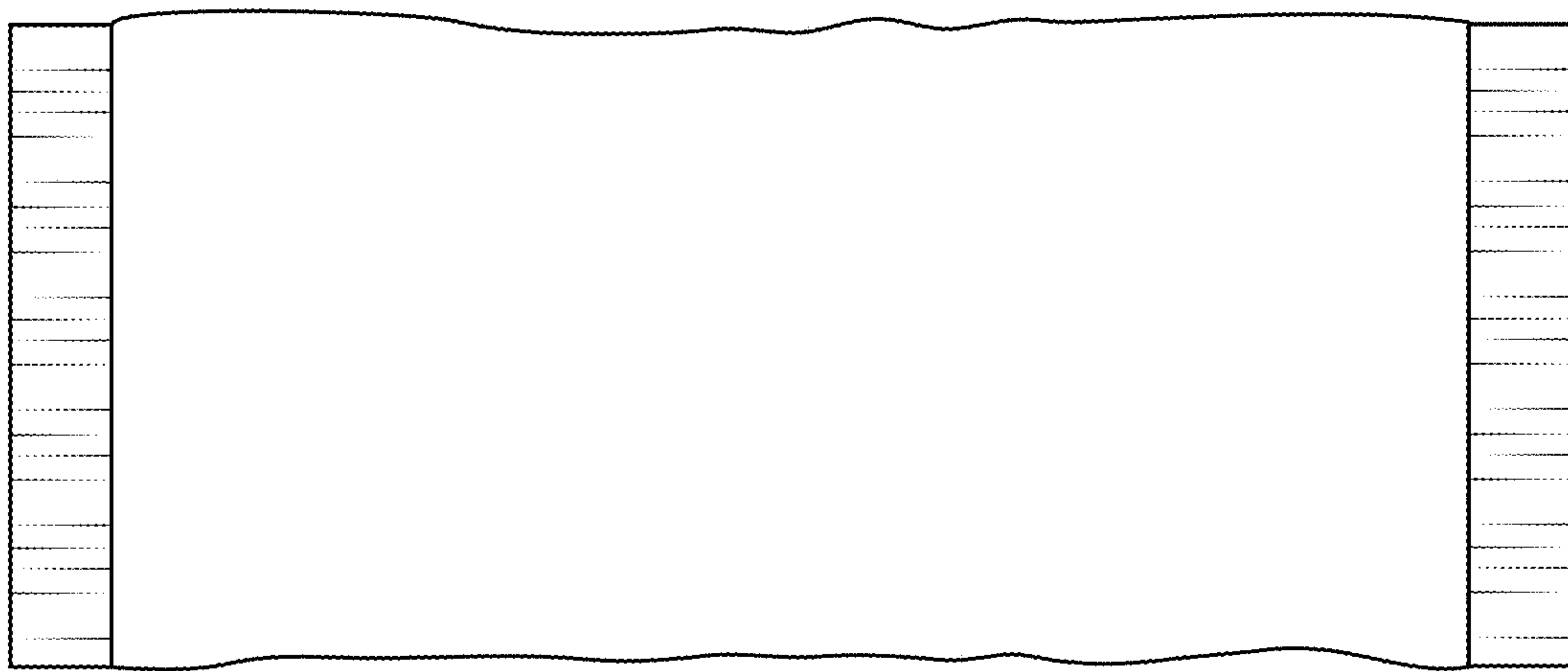


FIG. 6



FIG. 7

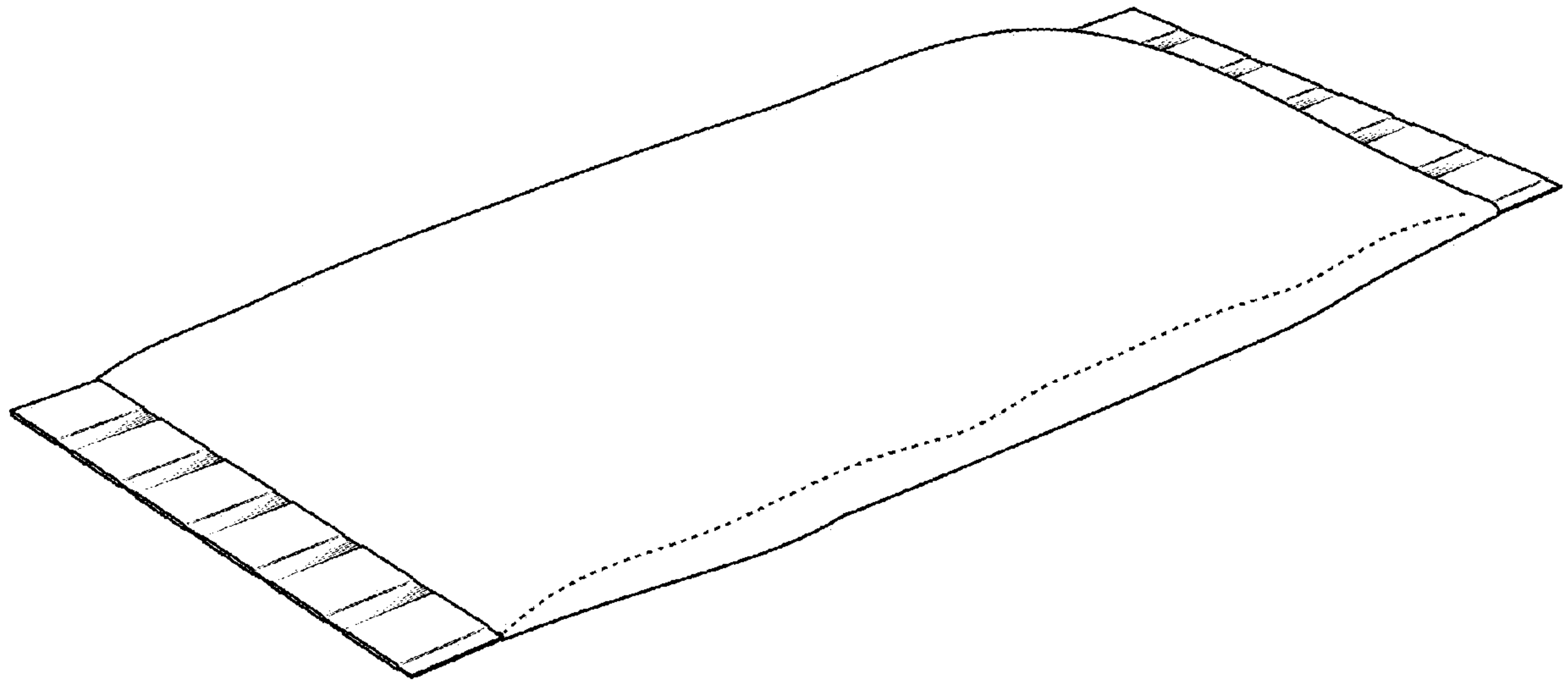


FIG. 8

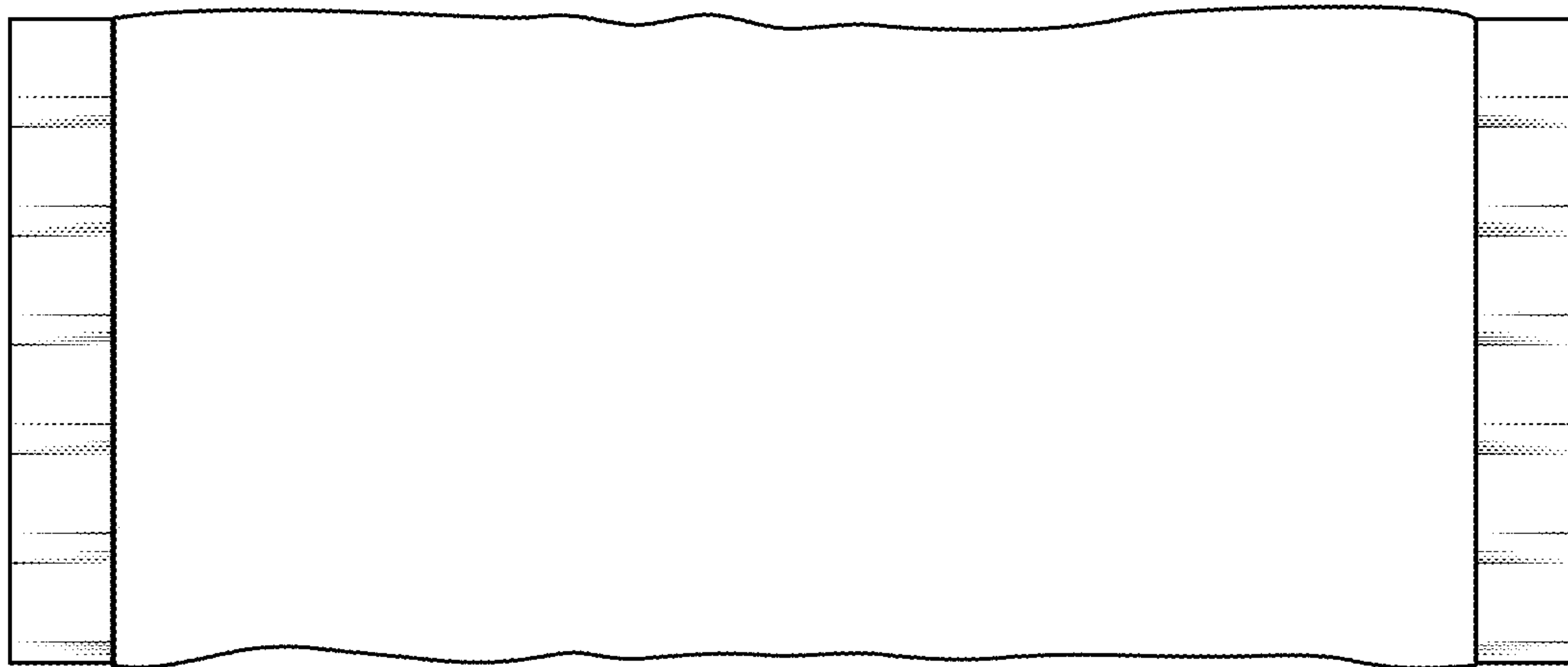


FIG. 9

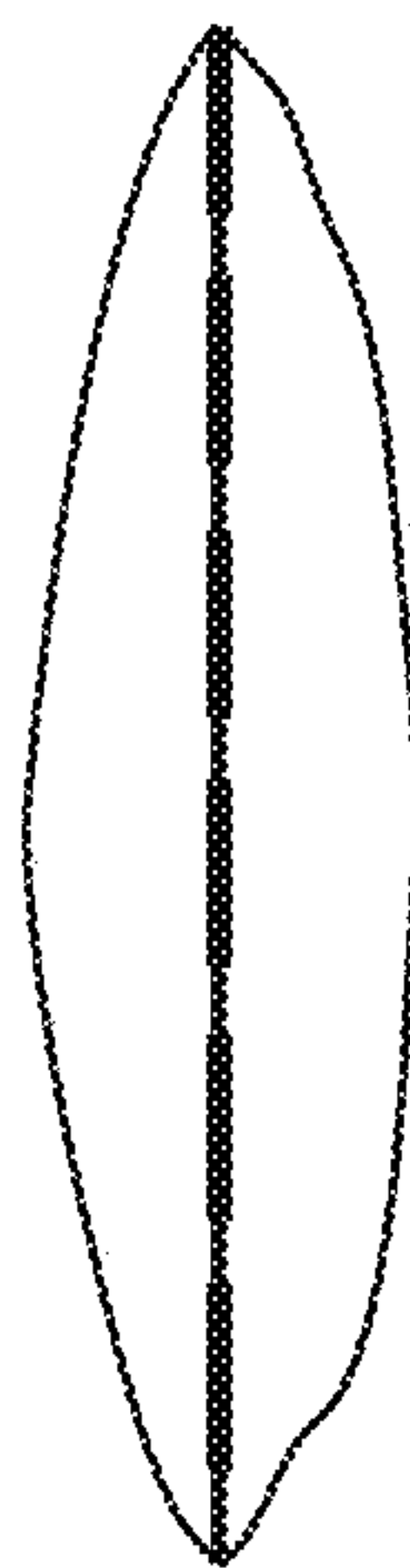


FIG. 10

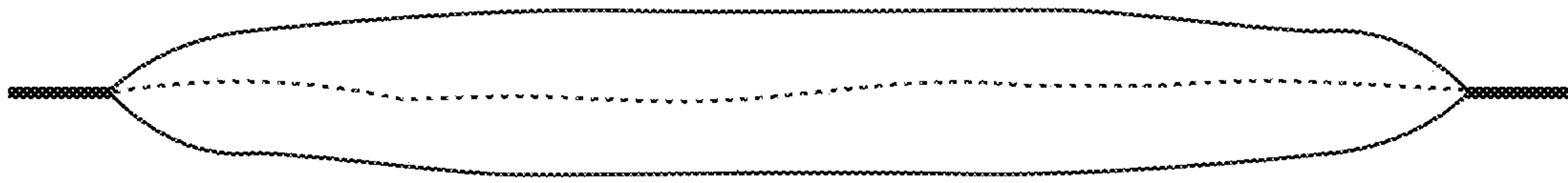


FIG. 11

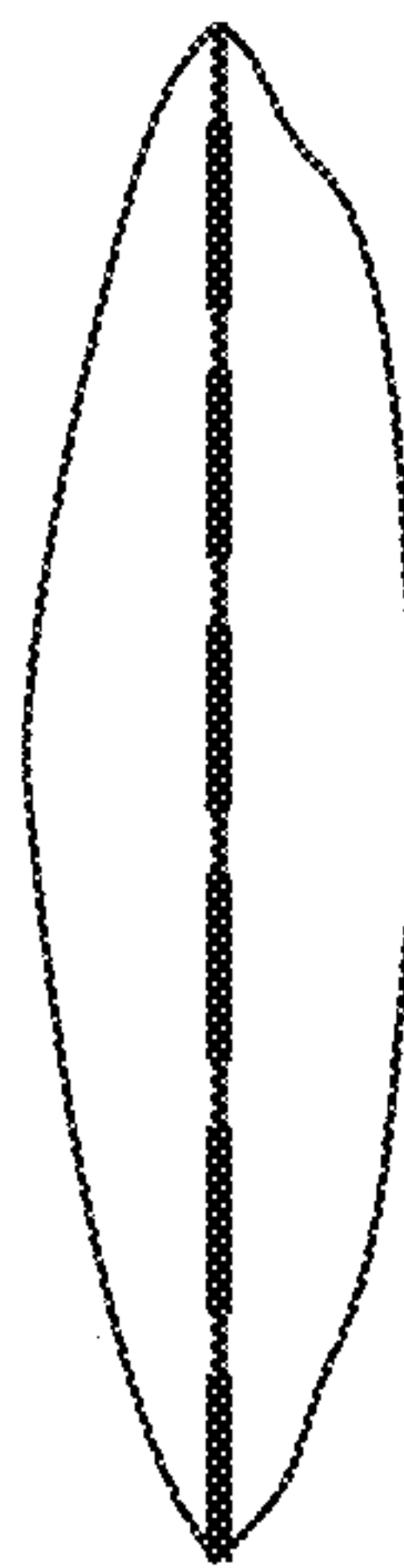


FIG. 12



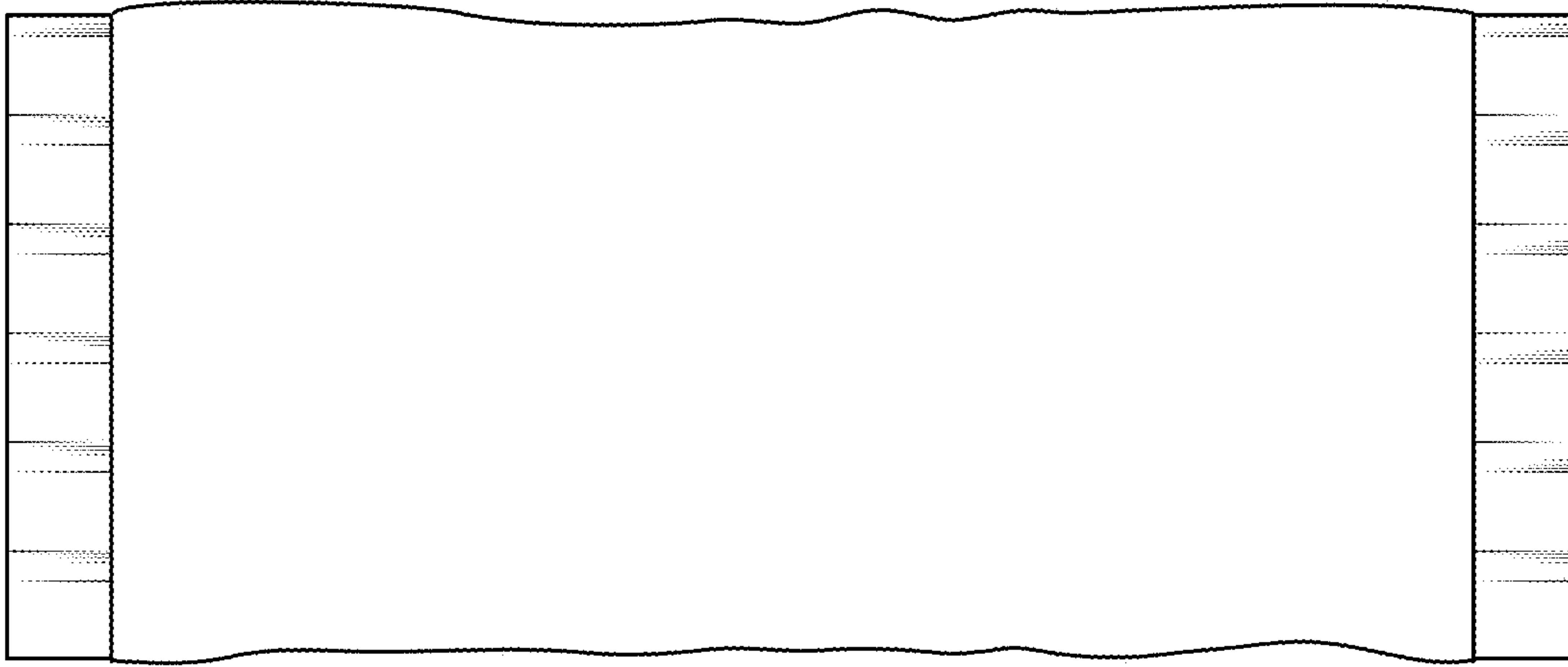


FIG. 13



FIG. 14