



US00D954558S

(12) **United States Design Patent** (10) **Patent No.:** **US D954,558 S**
Butler (45) **Date of Patent:** **** Jun. 14, 2022**

(54) **BOTTLE**
(71) Applicant: **Monique Butler**, Murrieta, CA (US)
(72) Inventor: **Monique Butler**, Murrieta, CA (US)
(**) Term: **15 Years**
(21) Appl. No.: **29/761,142**
(22) Filed: **Dec. 7, 2020**
(51) **LOC (13) Cl.** **09-01**
(52) **U.S. Cl.**
USPC **D9/652; D9/574**
(58) **Field of Classification Search**
USPC D9/434-435, 439, 447, 449, 450, 452,
D9/454, 516, 520, 522-524, 528-531,
D9/541-544, 549-551, 558-560, 563,
D9/565-566, 571-575, 682, 686, 687,
D9/693-694, 715, 719; D7/300, 300.1,
D7/316, 317, 598; D23/211, 225;
D24/107, 121-123, 216, 217, 219,
D24/223-227
CPC ... B65D 1/00; B65D 1/02; B65D 1/12; B65D
1/18; B65D 1/20; B65D 1/0223; B65D
23/00; B65D 21/0237; B65D 2501/0009;
B65D 2501/0081
See application file for complete search history.

D779,954 S * 2/2017 Ring D9/560
D788,593 S * 6/2017 Dalton D9/454
D798,161 S * 9/2017 Bayani D9/563
D809,935 S * 2/2018 Weiss D9/566
D860,802 S * 9/2019 Lee D9/560
D883,790 S * 5/2020 Garcia de Alba Morales
D9/570
D896,098 S * 9/2020 Butler D9/652
D899,938 S * 10/2020 Shmueli D9/563
D908,507 S * 1/2021 Butler D9/652
D908,508 S * 1/2021 Butler D9/652
D920,797 S * 6/2021 Thompson D9/544
D922,203 S * 6/2021 De Silva Wijeyeratne ... D9/520
D932,920 S * 10/2021 Slimane D9/571
D934,694 S * 11/2021 Heinonen D9/560
2009/0090647 A1 * 4/2009 Panchai B65D 21/0231
206/509

* cited by examiner

Primary Examiner — Omeed Agilee
(74) *Attorney, Agent, or Firm* — Clement Chang

(57) **CLAIM**

The ornamental design for a bottle, as shown and described.

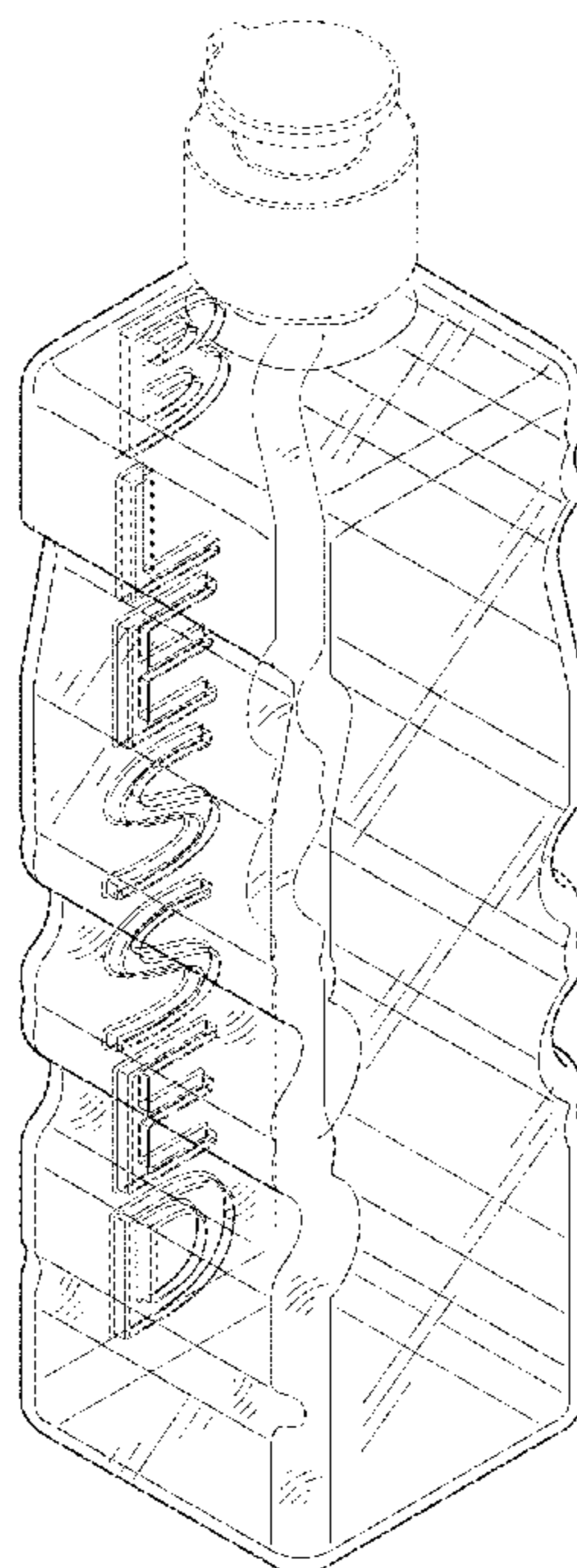
DESCRIPTION

FIG. 1 is a front perspective view of a bottle showing my new design.
FIG. 2 is a front view of the bottle shown in FIG. 1.
FIG. 3 is a rear view of the bottle shown in FIG. 1.
FIG. 4 is a left side view of the bottle shown in FIG. 1.
FIG. 5 is a right side view of the bottle shown in FIG. 1.
FIG. 6 is a top view of the bottle shown in FIG. 1; and,
FIG. 7 is a bottom view of the bottle shown in FIG. 1.
The broken lines in the drawings depict portions of the bottle that form no part of the claimed design.

1 Claim, 4 Drawing Sheets

(56) **References Cited**
U.S. PATENT DOCUMENTS

D351,796 S * 10/1994 Deddens D9/557
D521,391 S * 5/2006 Andoh D9/542
D603,717 S * 11/2009 Rica D9/560
D604,175 S * 11/2009 Rica D9/560
D716,152 S * 10/2014 Weiss D9/566
D747,654 S * 1/2016 Westhofen D9/569



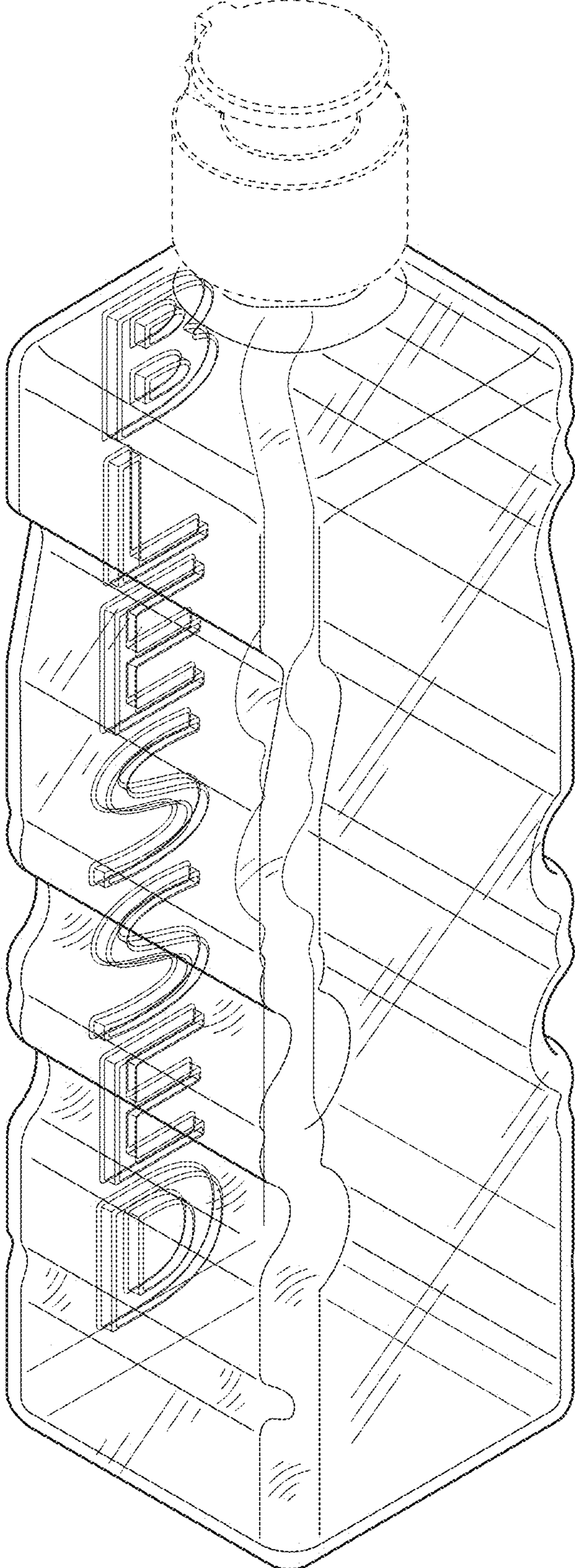


FIG. 1

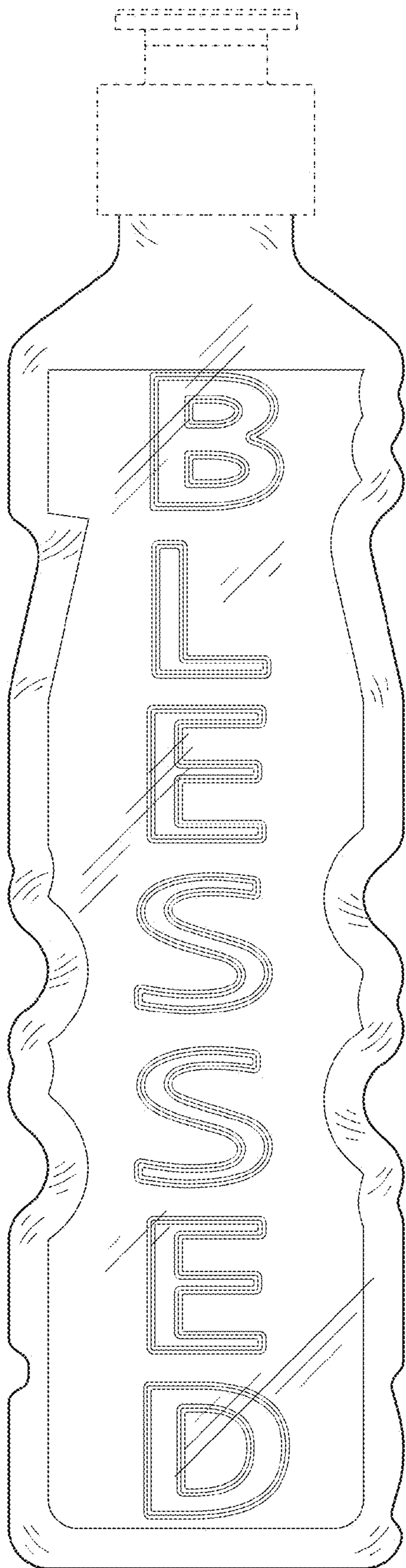


FIG. 2

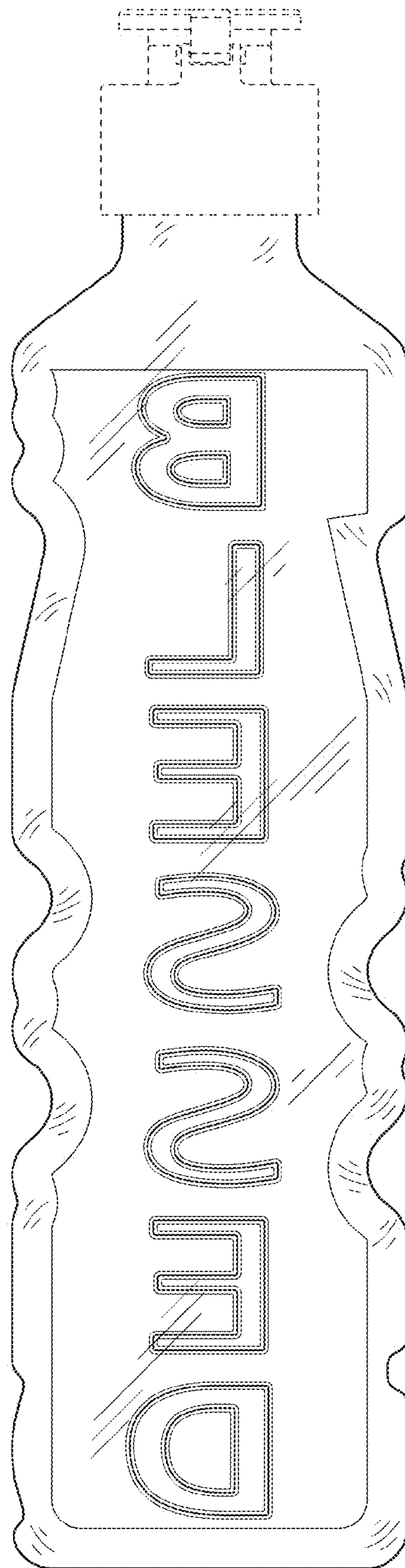


FIG. 3

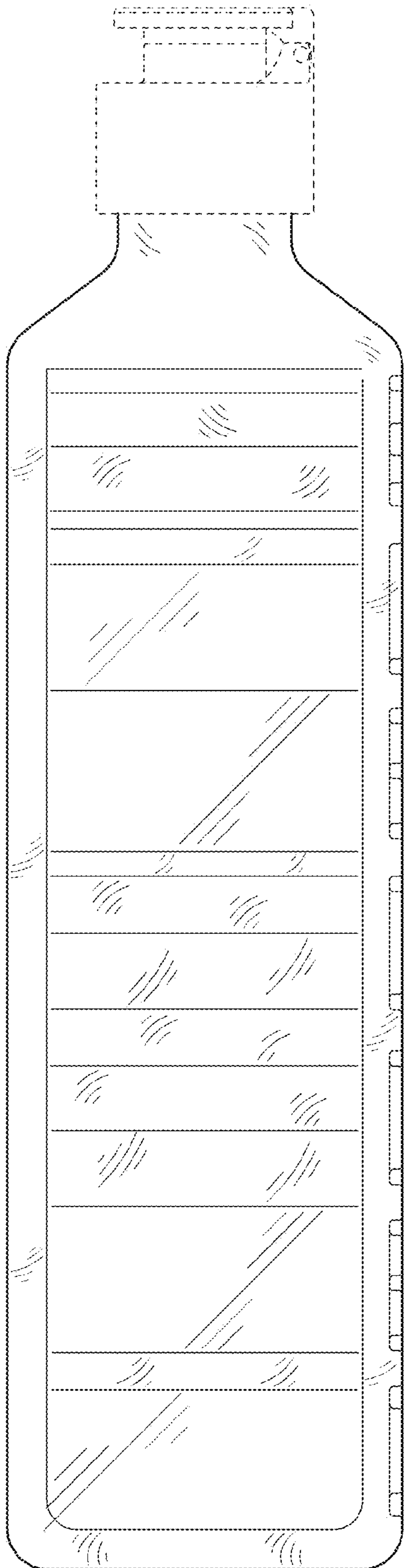


FIG. 4

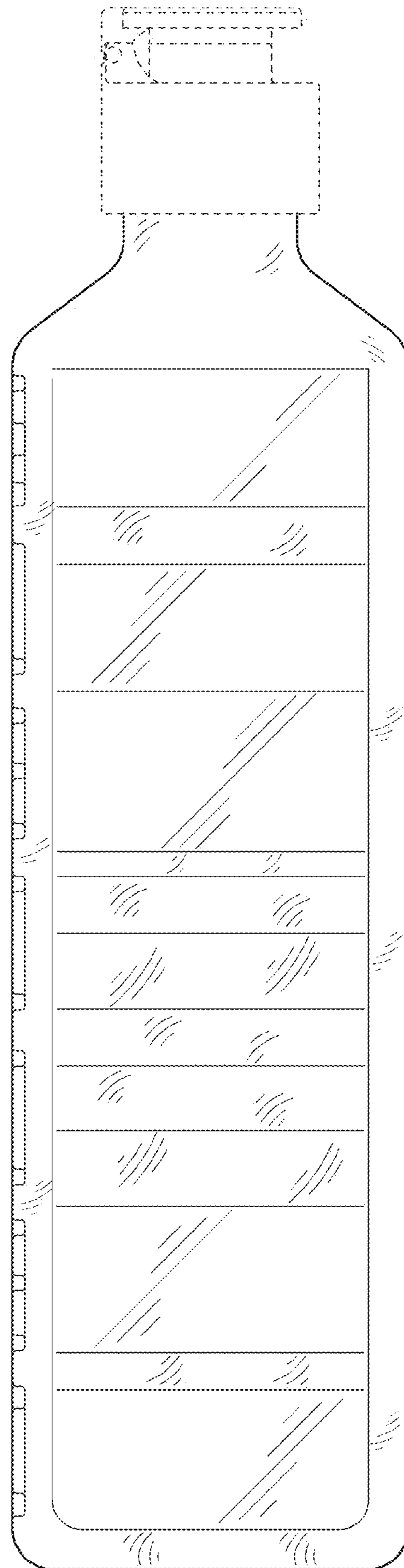


FIG. 5

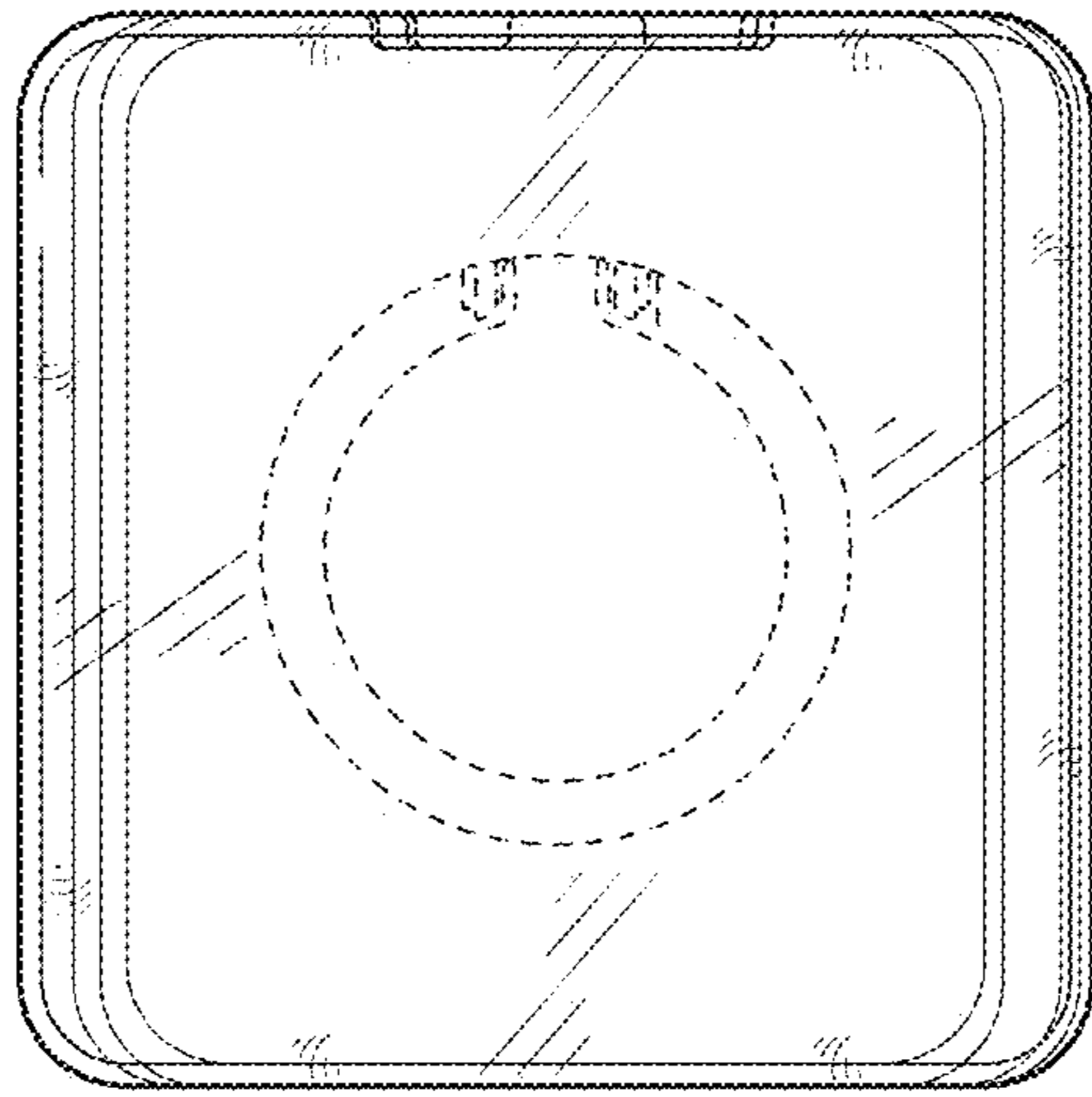


FIG. 6

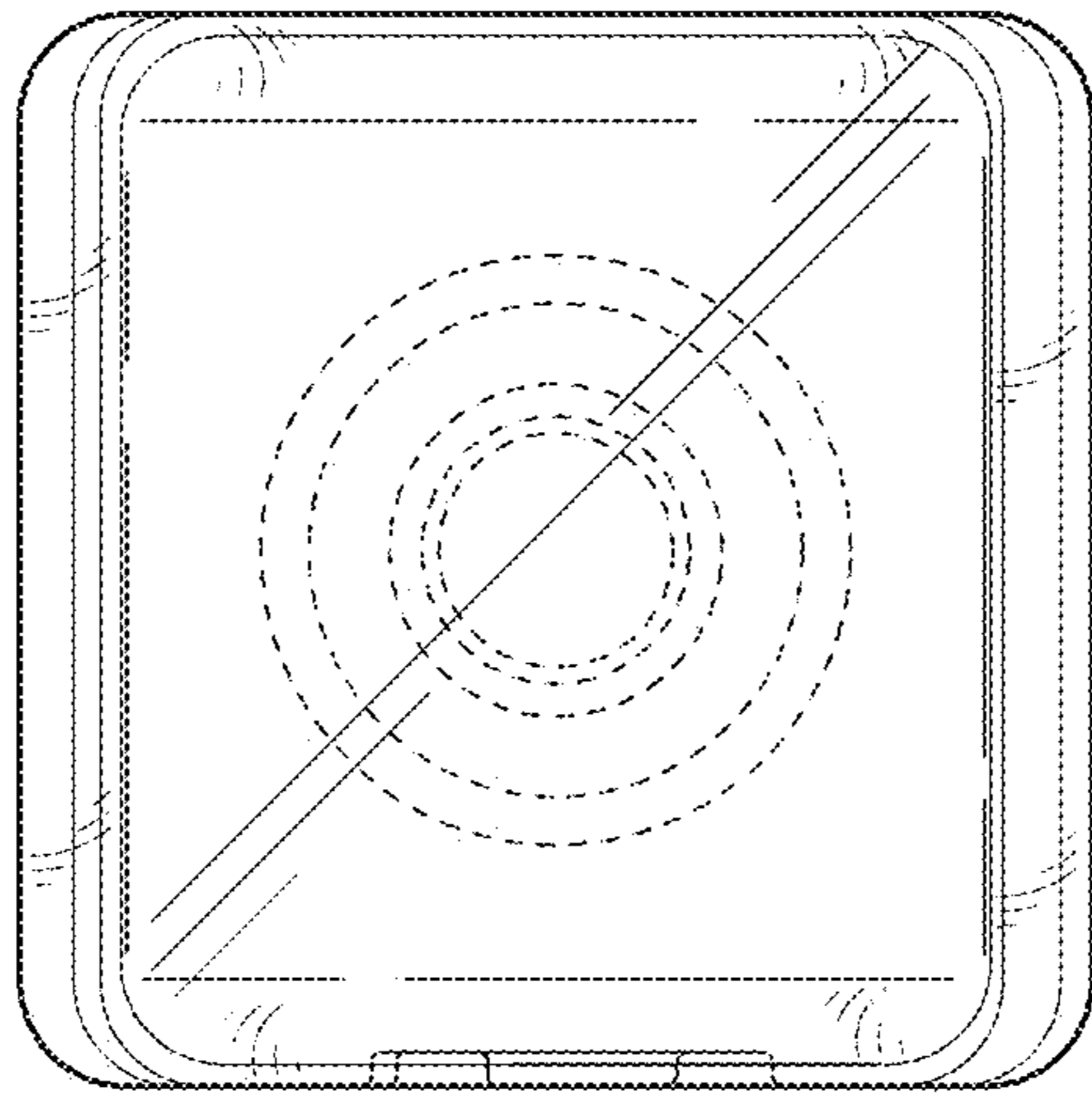


FIG. 7