



US00D954553S

(12) **United States Design Patent**
Winkelmann et al.

(10) **Patent No.:** **US D954,553 S**

(45) **Date of Patent:** **** Jun. 14, 2022**

(54) **TODDLER'S CUP LID**

(71) Applicant: **eazy-PZ, LLC**, Parker, CO (US)

(72) Inventors: **Dawn Winkelmann**, Littleton, CO (US); **Olivia Blechschmidt**, Franklin Lakes, NJ (US)

(**) Term: **15 Years**

(21) Appl. No.: **29/753,930**

(22) Filed: **Oct. 5, 2020**

(51) **LOC (13) Cl.** **09-03**

(52) **U.S. Cl.**

USPC **D9/447**; D7/392.1; D7/396.2

(58) **Field of Classification Search**

USPC D9/435, 439, 440, 442-449, 450, 454, D9/531, 682-694, 723, 575; D7/321, D7/391, 392, 392.1, 396.2, 507, 509-511, D7/523, 608, 900; D6/515

CPC B65D 83/205; B65D 83/206; B65D 83/40; B65D 2543/00046; A47G 19/2272

See application file for complete search history.

(56) **References Cited**

U.S. PATENT DOCUMENTS

- 4,508,235 A * 4/1985 Steele B65D 43/0212
215/307
- D285,656 S * 9/1986 Champion D7/511
- D448,244 S * 9/2001 Thomas D7/510
- D454,755 S * 3/2002 Jørgensen D7/510
- D457,396 S * 5/2002 Janky D7/510
- D476,193 S * 6/2003 Janky D7/510
- D516,864 S * 3/2006 Kleckauskas D7/507
- D518,996 S * 4/2006 Schmidt D7/392
- D580,708 S * 11/2008 George D7/509
- D581,211 S * 11/2008 Lapsker D7/396.2
- D591,106 S * 4/2009 Dominique D7/507
- D604,990 S * 12/2009 Watkins D7/396.2
- D613,555 S * 4/2010 Watkins D7/523
- D614,447 S * 4/2010 Richau D7/510

- D614,825 S * 4/2010 Biegel D99/5
- D621,124 S * 8/2010 Biegel D99/5
- D627,599 S * 11/2010 Richau D7/510
- D668,914 S * 10/2012 Riedel D7/510
- D676,277 S * 2/2013 Riedel D7/396.1
- D721,920 S * 2/2015 Coon D7/510
- D729,581 S * 5/2015 Boroski D7/510
- D730,693 S * 6/2015 Liu D7/510

(Continued)

FOREIGN PATENT DOCUMENTS

- CN 303435484 * 11/2015
- CN 304424652 * 12/2017
- CN 304603331 * 5/2018

Primary Examiner — Brett Miller

Assistant Examiner — Rina J Abdallah

(74) *Attorney, Agent, or Firm* — Williams Intellectual Property; Benjamin F. Williams

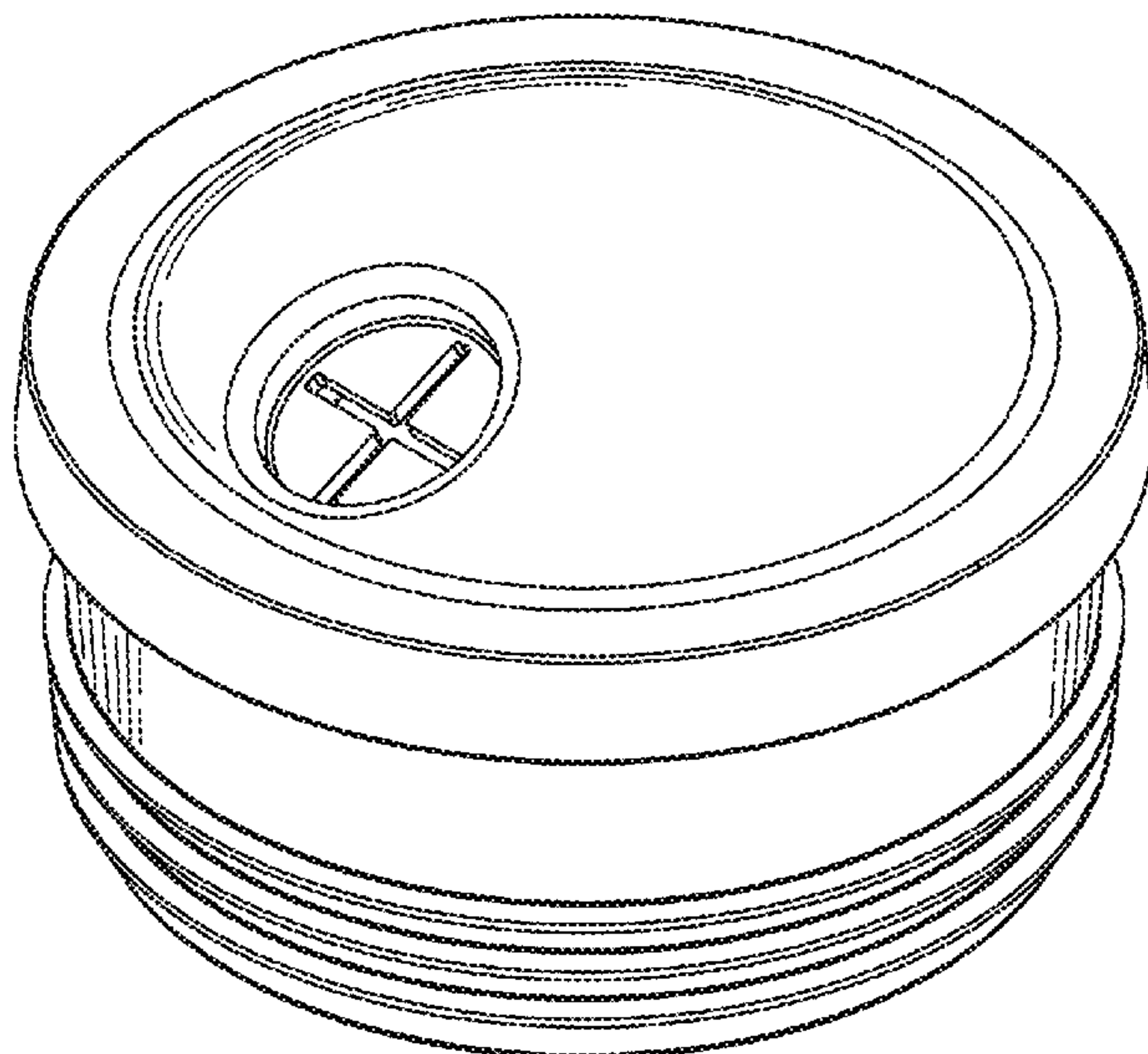
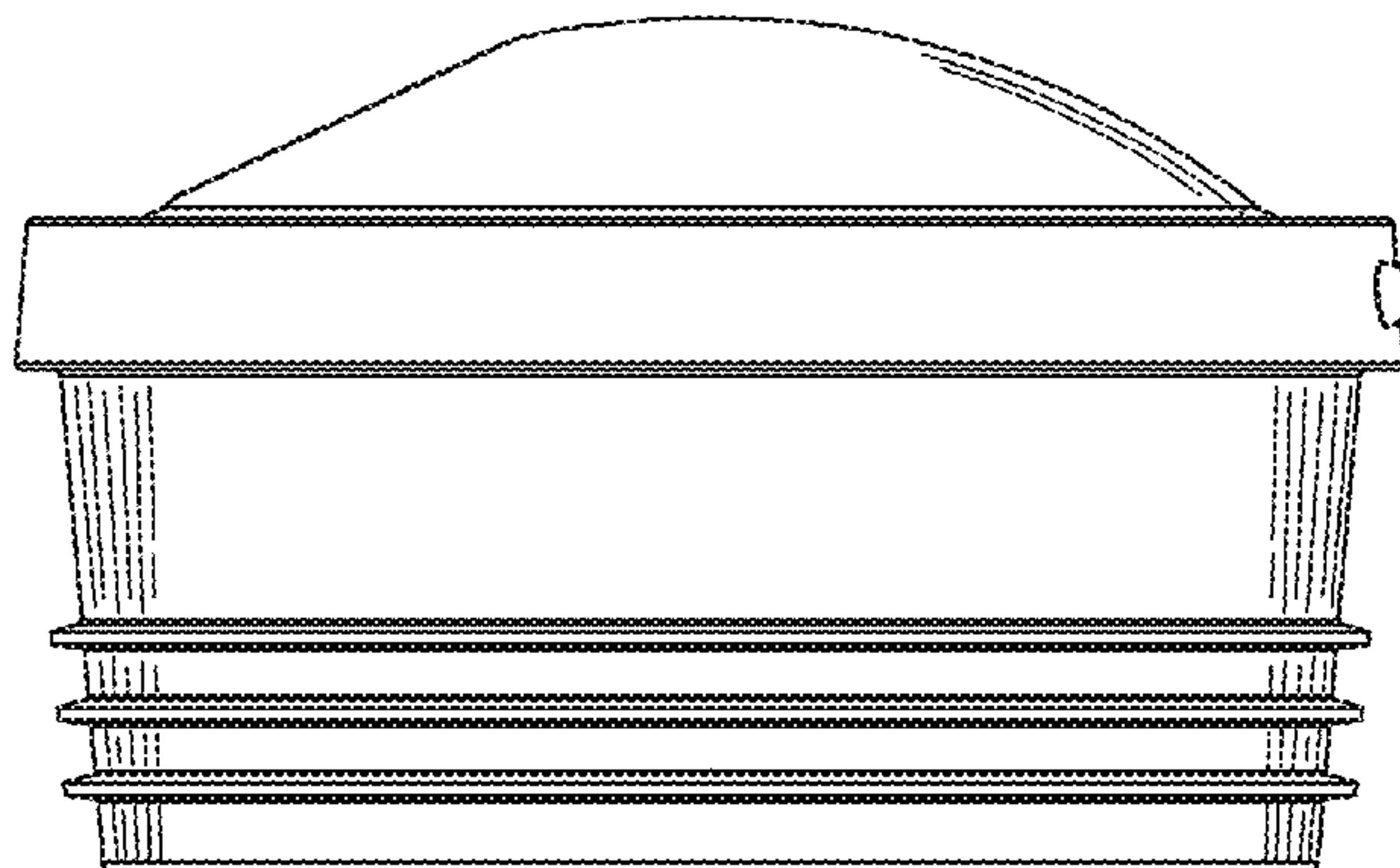
(57) **CLAIM**

The ornamental design for a toddler's cup lid, as shown and described.

DESCRIPTION

FIG. 1 is a top elevation view of my new design;
 FIG. 2 is a bottom elevation view;
 FIG. 3 is a front elevation view;
 FIG. 4 is a rear elevation view;
 FIG. 5 is a right elevation view;
 FIG. 6 is a left elevation view;
 FIG. 7 is a diagonal raised front elevation view;
 FIG. 8 is a left side elevation view of my design in the environment in which the design is seen to operate; and,
 FIG. 9 is a diagonal elevation view of my design in the environment in which the design is seen to operate.
 The portions of FIGS. 8 and 9 shown in broken lines are for the purpose of showing the environment in which the design may be seen and form no part of the claimed design.

1 Claim, 7 Drawing Sheets



(56)

References Cited

U.S. PATENT DOCUMENTS

D736,035 S * 8/2015 Wang D7/510
D757,542 S * 5/2016 Prum D9/447
D767,335 S * 9/2016 Khubani D7/507
D773,896 S * 12/2016 Dai D7/507
D789,743 S * 6/2017 Washburn A47G 19/2227
D790,276 S * 6/2017 Lane B65D 43/0212
D801,810 S * 11/2017 Engel B65D 51/28
D836,973 S * 1/2019 Masifilo B65D 51/28
D874,013 S * 1/2020 Wagenknecht D24/197
D880,231 S * 4/2020 Edlund Tjernberg D7/396.2
D880,297 S * 4/2020 Pan B65D 21/0233
10,631,675 B1 * 4/2020 Ellsworth B65D 51/24
D885,826 S * 6/2020 Mosebrook D7/392.1
D893,953 S * 8/2020 Tobias D7/510
10,898,016 B1 * 1/2021 Hsu A47G 19/2272
D926,037 S * 7/2021 Appan D9/503
2013/0068773 A1 * 3/2013 Buck B65D 51/28
2013/0068774 A1 * 3/2013 Buck B65D 51/28
2013/0087571 A1 * 4/2013 Yao B65D 51/246
2013/0119065 A1 * 5/2013 Buck B65D 51/28
2016/0015196 A1 * 1/2016 Lee A47G 19/2227
2018/0141723 A1 * 5/2018 Chen B65D 21/0233

* cited by examiner

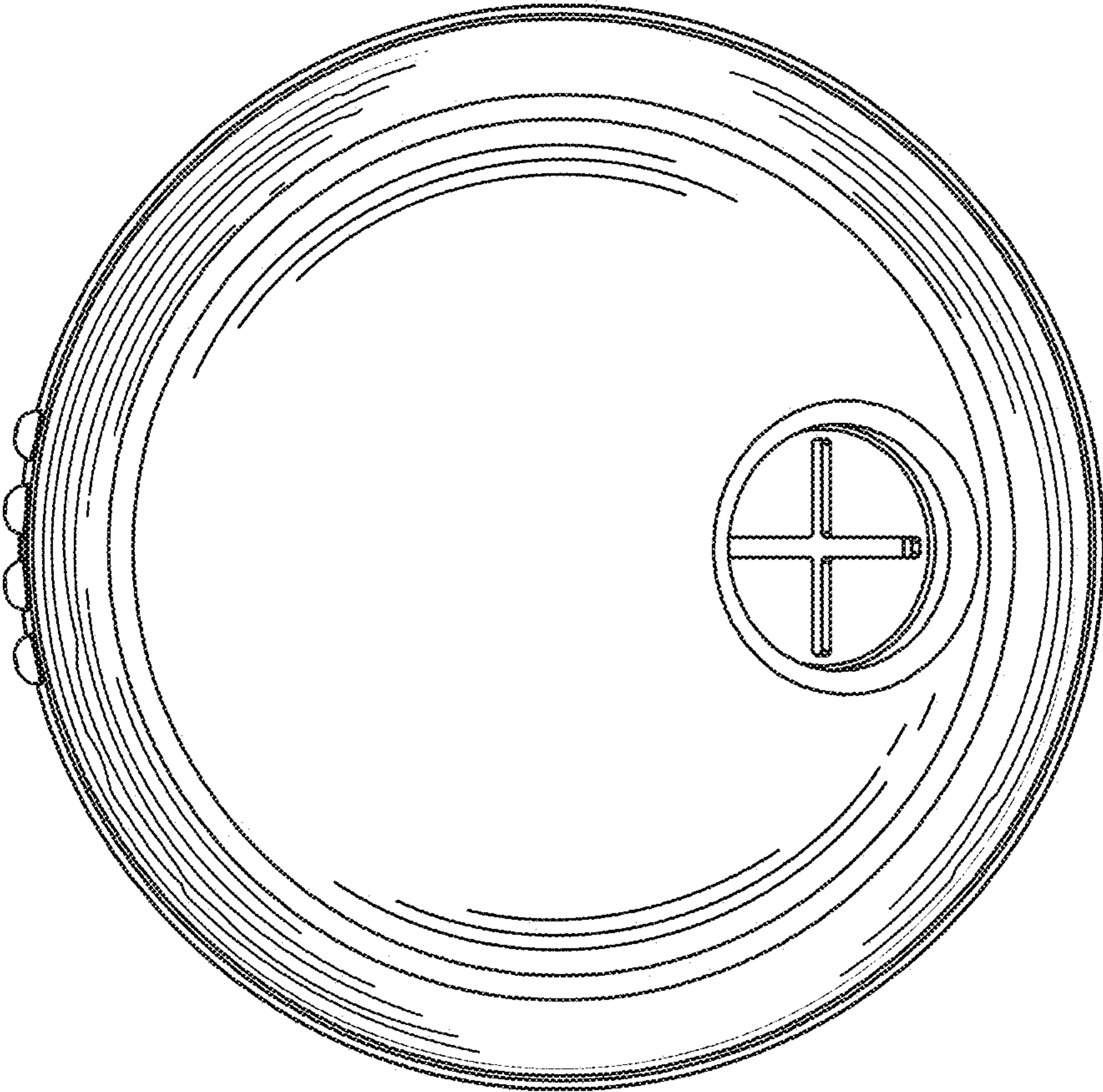


FIG. 1

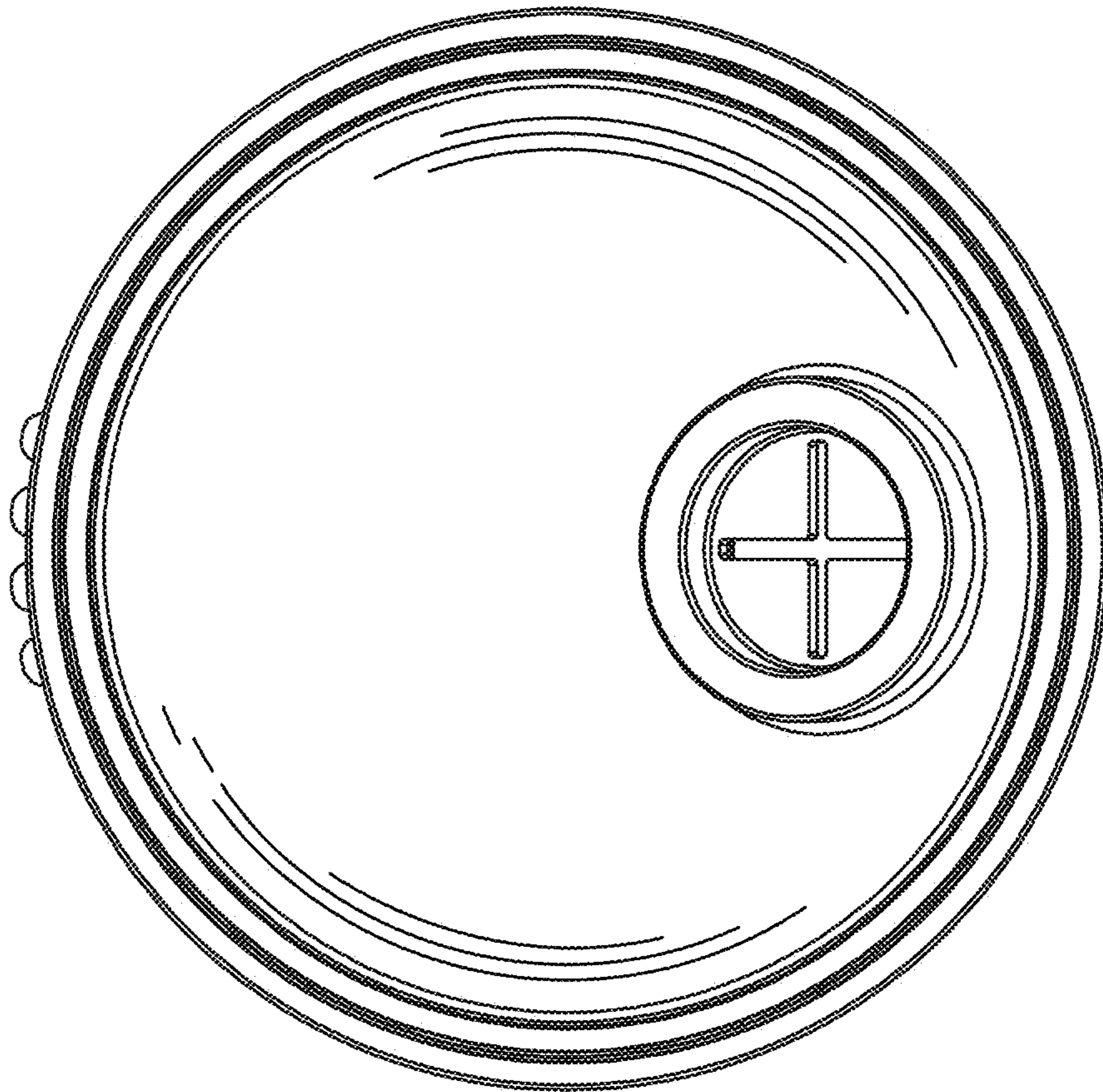


FIG. 2

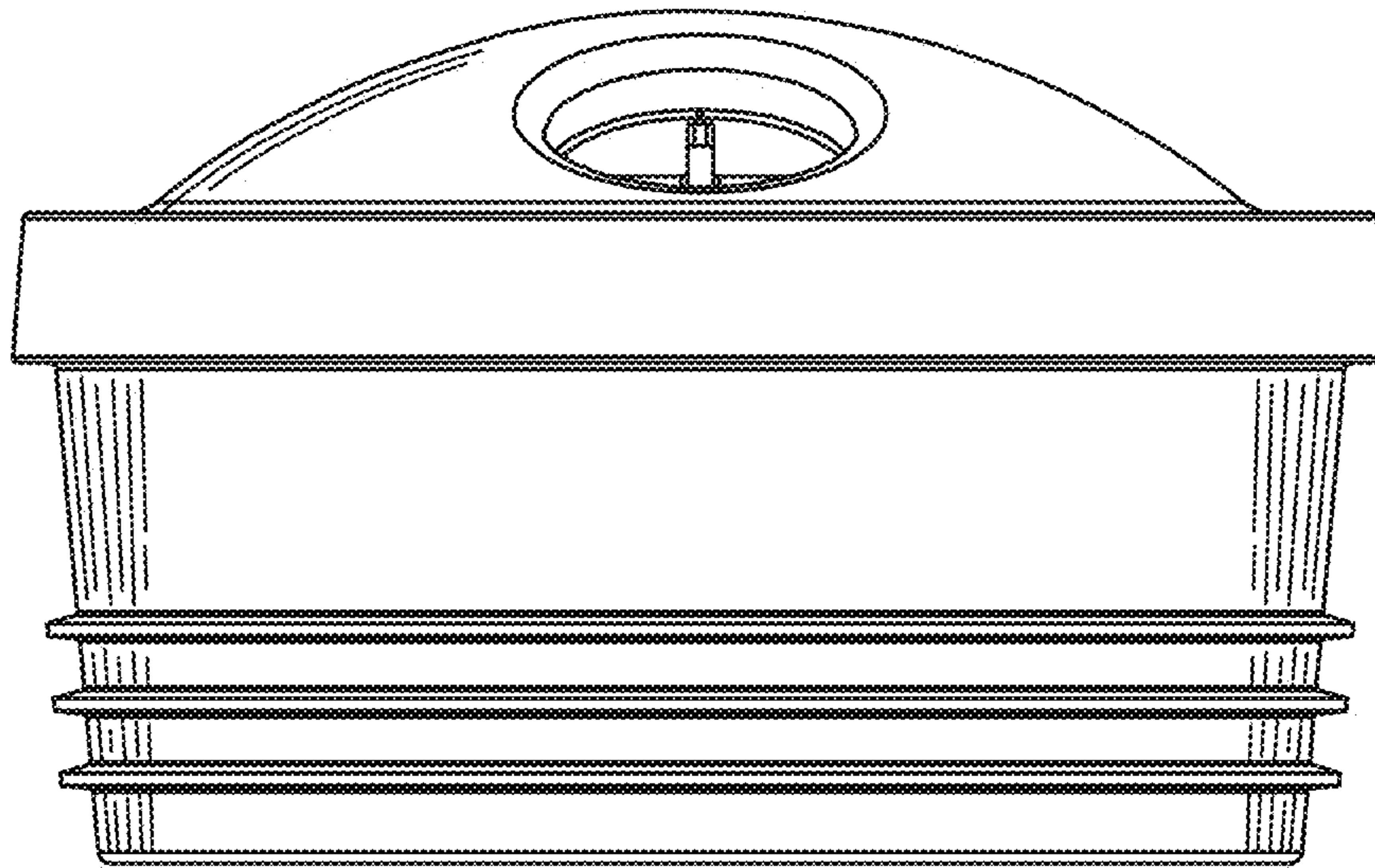


FIG. 3

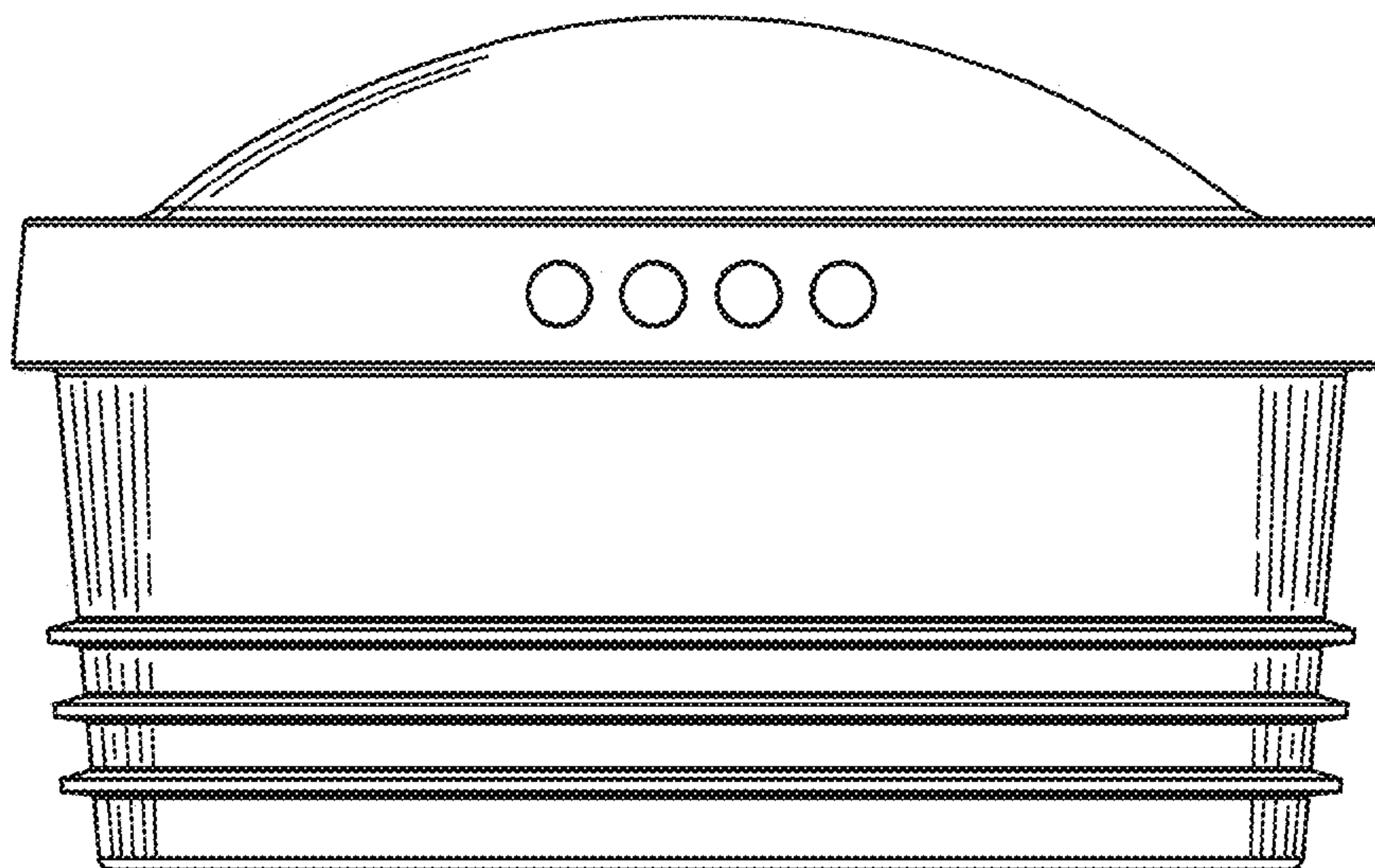


FIG. 4

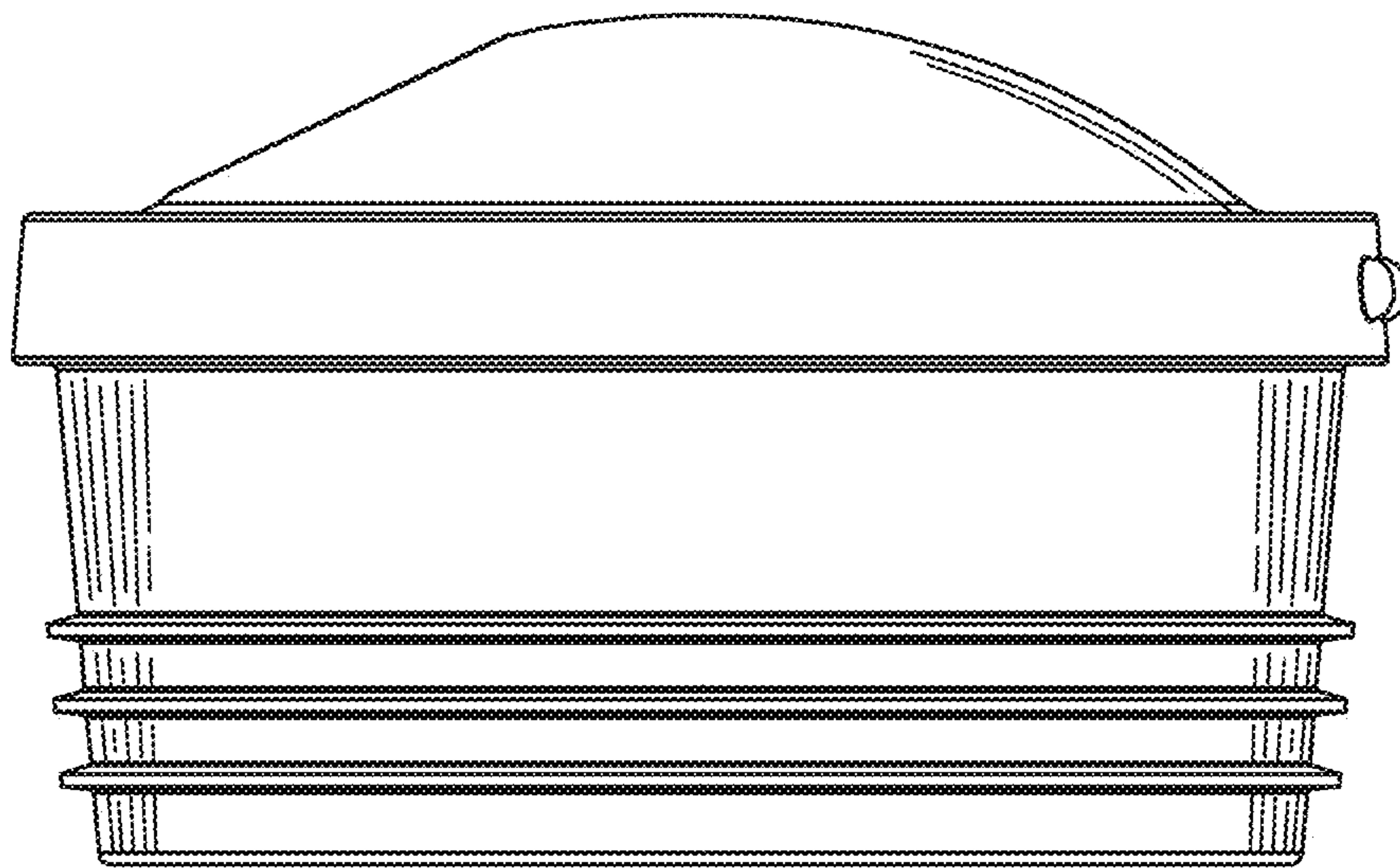


FIG. 5

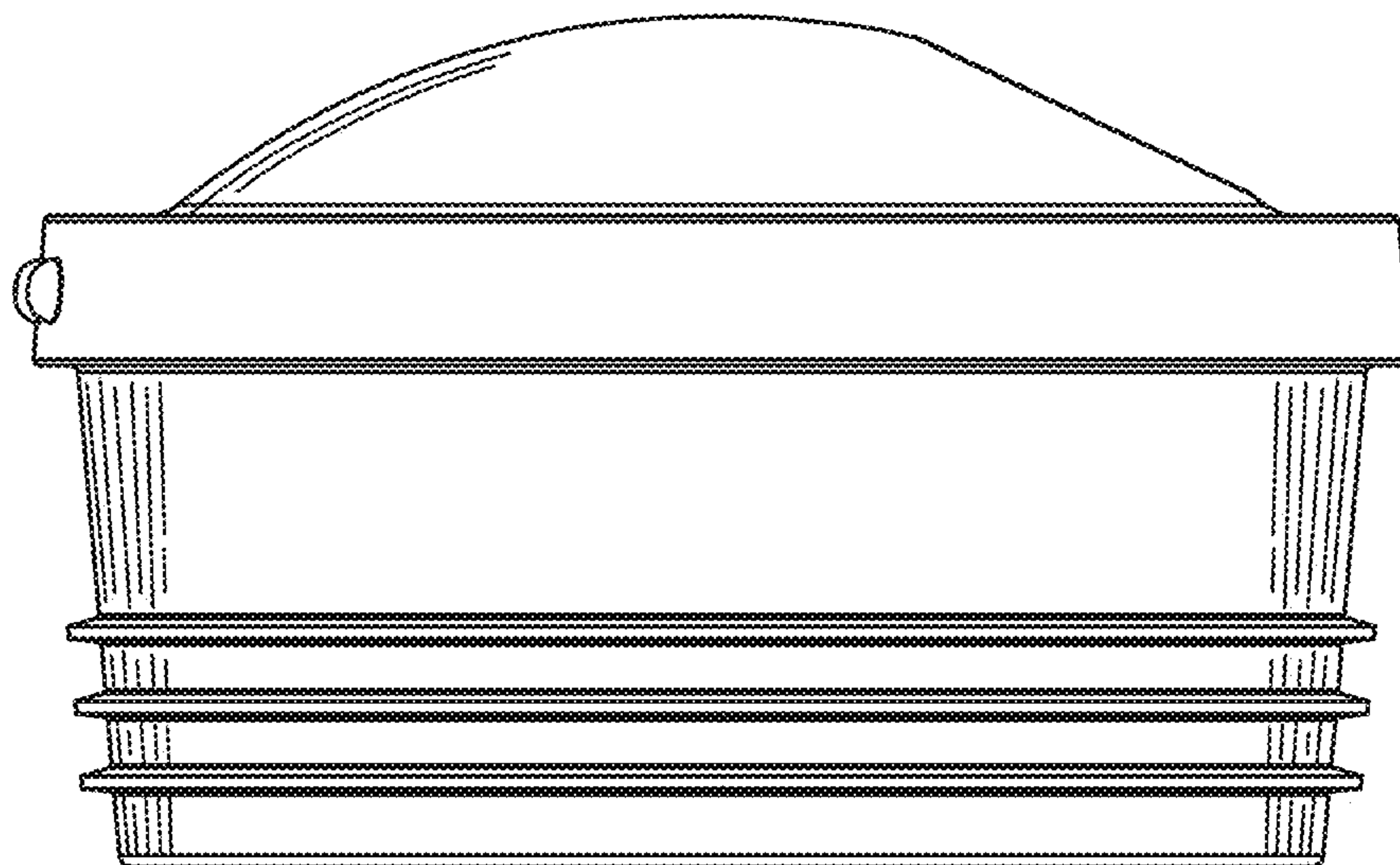


FIG. 6

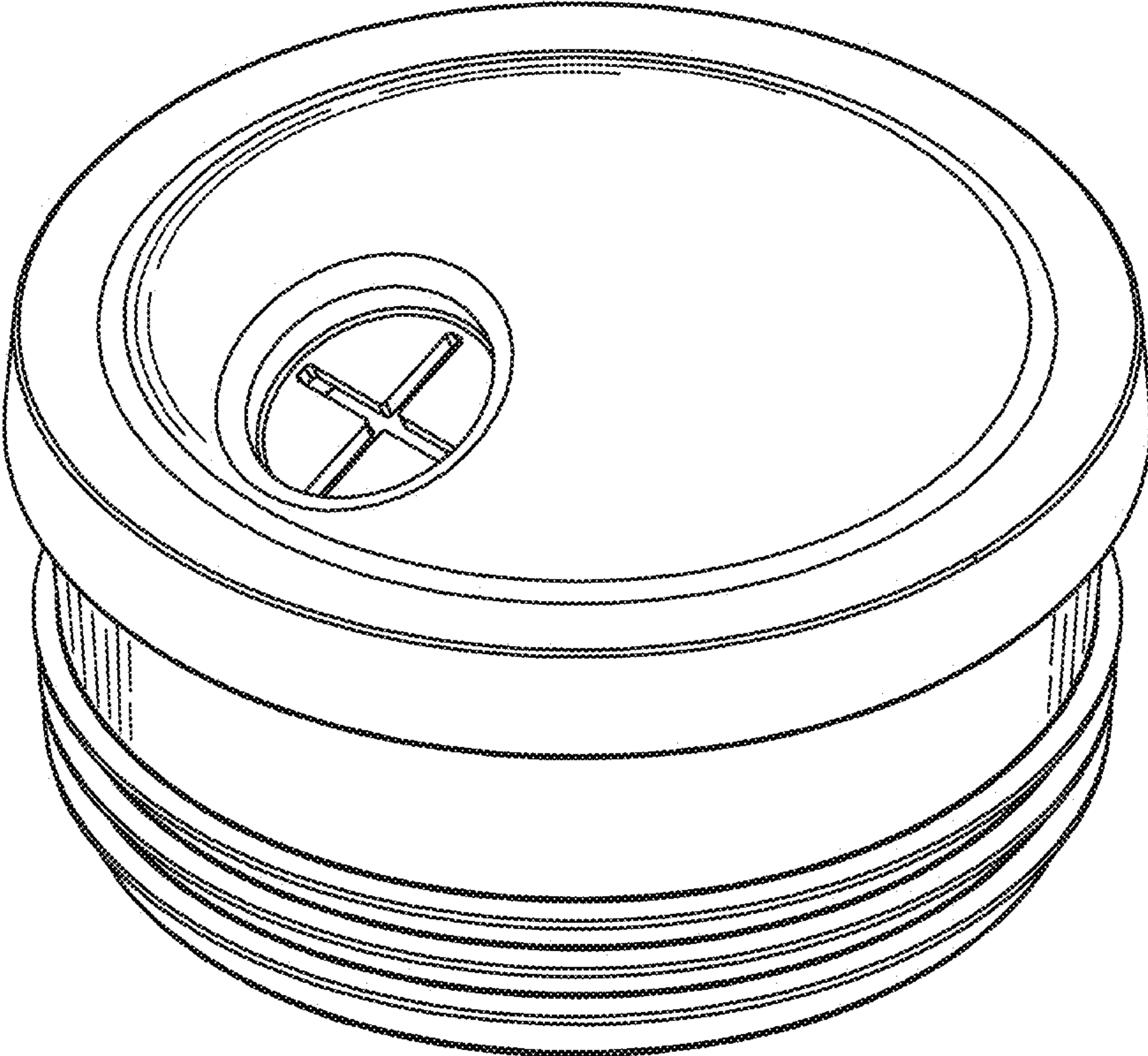


FIG. 7

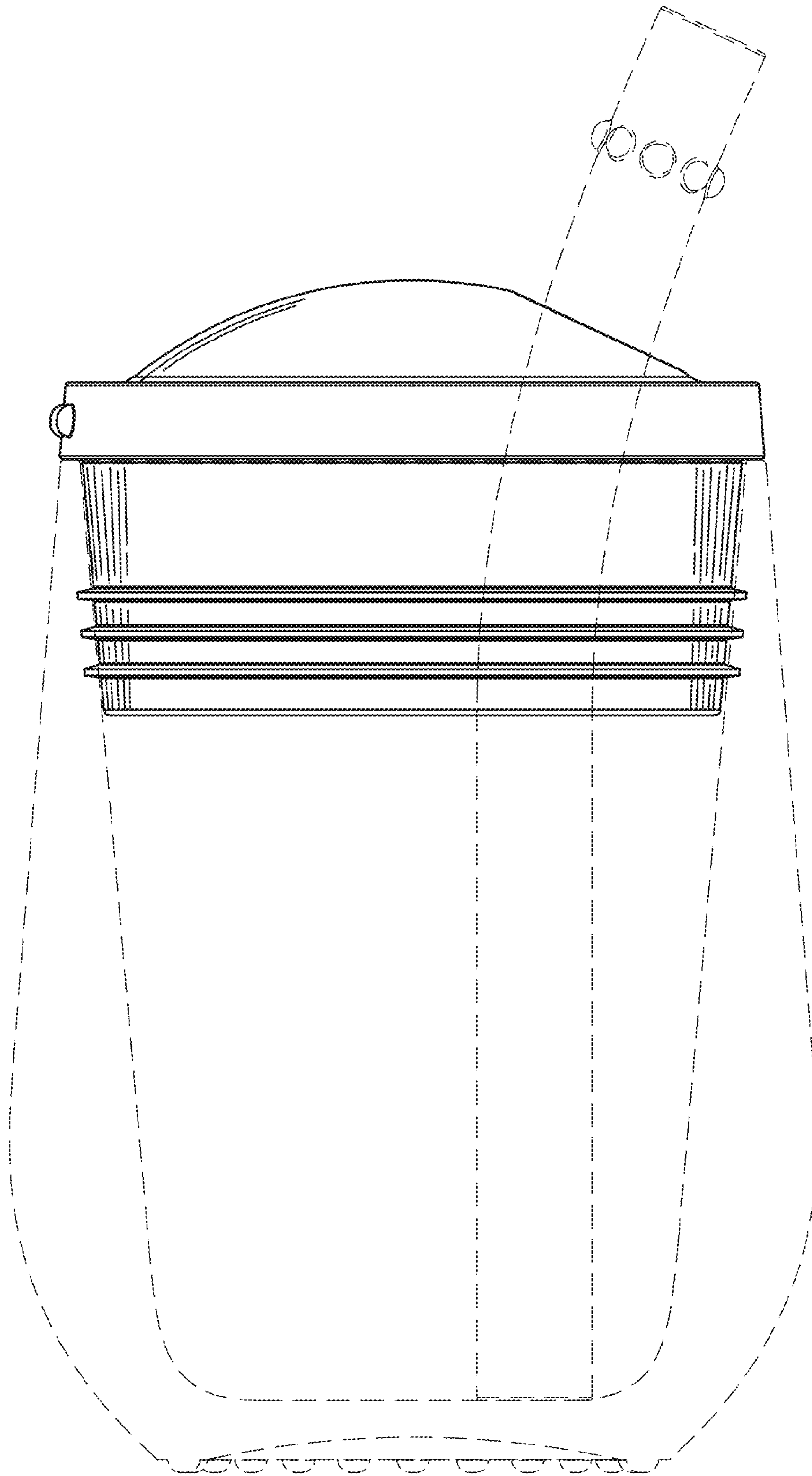


FIG. 8

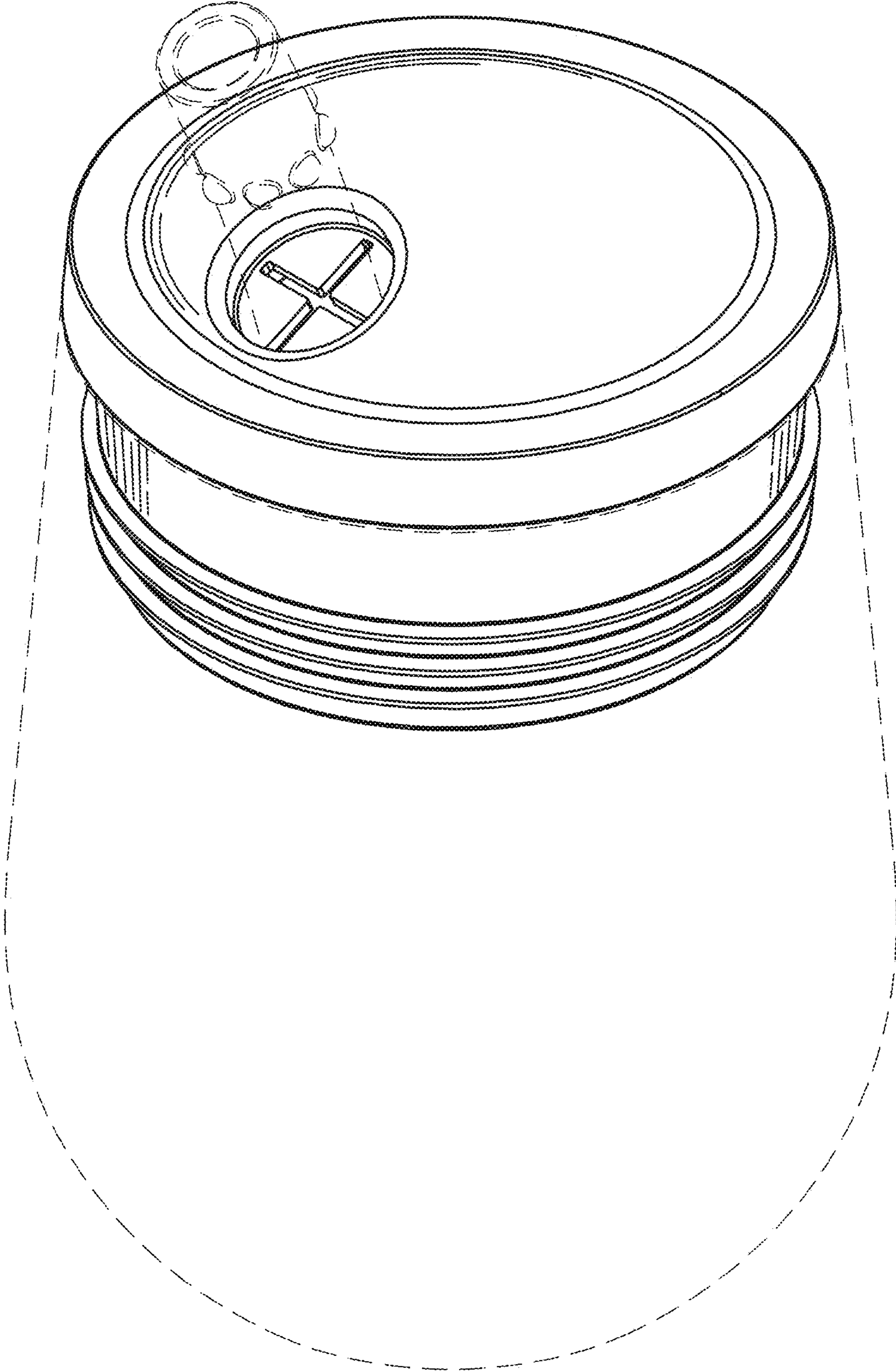


FIG. 9