



US00D954549S

(12) **United States Design Patent**
Oliveira

(10) **Patent No.:** **US D954,549 S**

(45) **Date of Patent:** **** *Jun. 14, 2022**

(54) **CARTON**
(71) Applicant: **Graphic Packaging International, LLC, Atlanta, GA (US)**
(72) Inventor: **Steven M. Oliveira, Canton, GA (US)**

2,355,729 A 8/1944 Inman
2,355,730 A 8/1944 Inman
2,645,337 A 7/1953 Stenger
3,027,063 A 3/1962 Zastrow
3,124,295 A 3/1964 Kauffeld
(Continued)

(73) Assignee: **Graphic Packaging International, LLC, Atlanta, GA (US)**

FOREIGN PATENT DOCUMENTS

(*) Notice: This patent is subject to a terminal disclaimer.

CA 1079240 6/1980
FR 3008386 4/2016
(Continued)

(**) Term: **15 Years**

OTHER PUBLICATIONS

(21) Appl. No.: **29/716,678**

English translation of FR 3008386.

(22) Filed: **Dec. 11, 2019**

(Continued)

(51) **LOC (13) Cl.** **09-03**

Primary Examiner — Omeed Agilee

(52) **U.S. Cl.**

(74) *Attorney, Agent, or Firm* — Womble Bond Dickinson (US) LLP

USPC **D9/431**

(58) **Field of Classification Search**

(57) **CLAIM**

USPC D9/414–420, 421–433, 434, 442, 445, D9/456, 542, 563, 600, 614–624, 707, D9/708, 711, 754, 759; D3/273, 276, D3/304, 309–313; D7/601, 602, 709
CPC B65D 5/00; B65D 5/001; B65D 5/0027; B65D 5/0254; B65D 5/18; B65D 5/38; B65D 5/40; B65D 5/2033; B65D 5/48024; B65D 5/6605; B65D 1/22; B65D 1/24; B65D 1/34; B65B 5/06
See application file for complete search history.

The ornamental design for a carton, as shown and described.

DESCRIPTION

(56) **References Cited**

U.S. PATENT DOCUMENTS

396,570 A 1/1889 Hotchkiss
637,838 A * 11/1899 Vernon B65D 5/26
229/194
1,373,365 A 3/1921 Smouse
1,892,756 A 1/1933 Van Horne
2,330,521 A 9/1943 Scheide
2,341,762 A 2/1944 Conklin

The disclosure of U.S. Provisional Patent Application No. 62/937,960, filed on Nov. 20, 2019, is hereby incorporated by reference for all purposes as if presented herein in its entirety.

FIG. 1 is a perspective view of a carton showing my new design.

FIG. 2 is a front elevation view of the carton of FIG. 1.

FIG. 3 is a rear elevation view of the carton of FIG. 1.

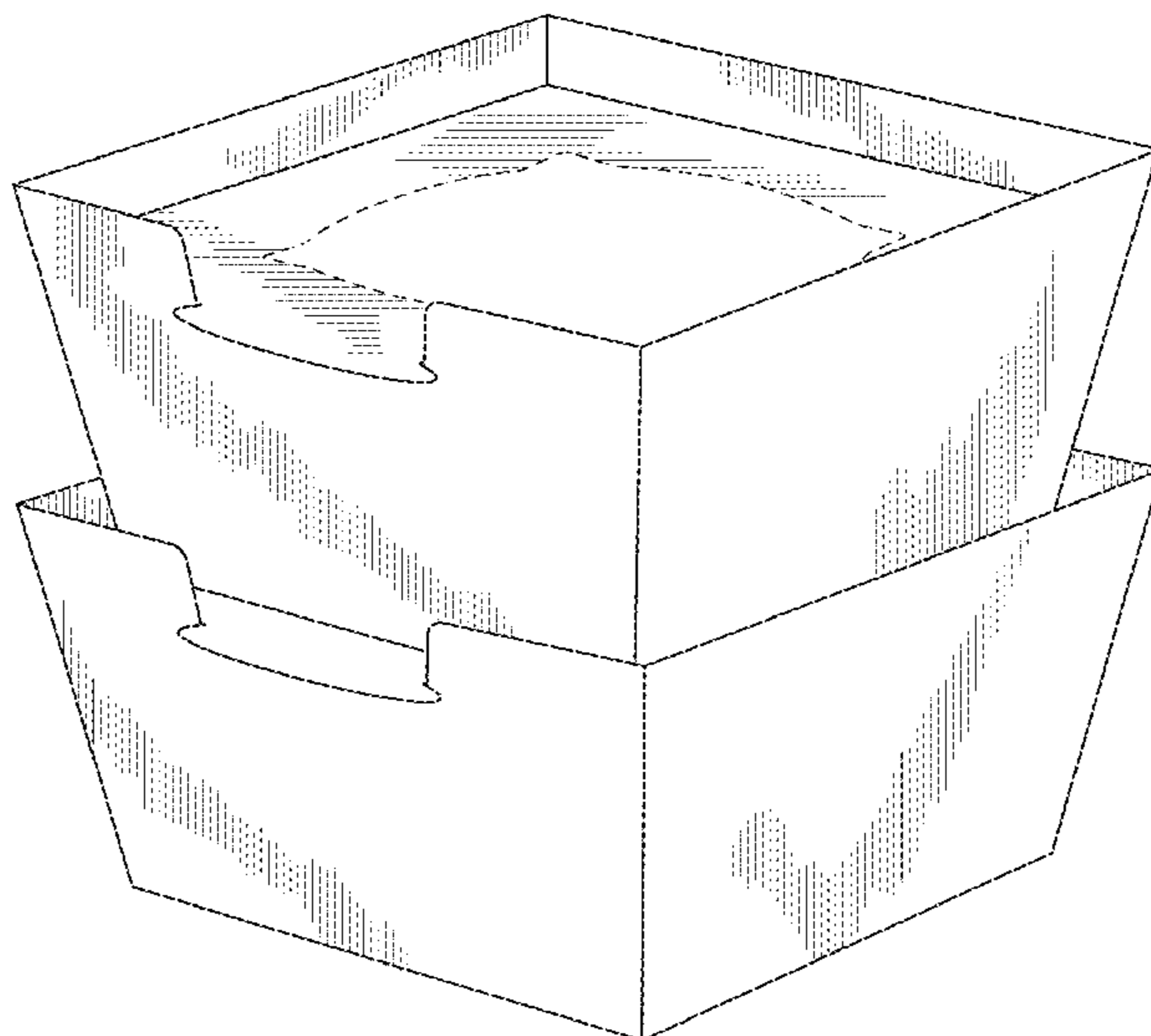
FIG. 4 is a left elevation view of the carton of FIG. 1, the right elevation view is a mirror image.

FIG. 5 is a top plan view of the carton of FIG. 1; and,

FIG. 6 is a bottom plan view of the carton of FIG. 1.

The broken lines in the drawings depict portions of the carton that form no part of the claimed design.

1 Claim, 6 Drawing Sheets



(56)

References Cited

U.S. PATENT DOCUMENTS

3,324,999 A 6/1967 Farquhar
 3,355,089 A 11/1967 Champlin
 3,447,735 A 6/1969 Whitney
 D217,441 S 5/1970 Kanaga
 3,840,172 A 10/1974 Zimmermann
 3,886,901 A 6/1975 Zeitter
 3,949,928 A 4/1976 Perkins
 4,068,795 A 1/1978 Forster
 D256,437 S * 8/1980 Faller D9/433
 4,277,015 A 7/1981 Crane
 4,328,923 A 5/1982 Graser
 4,340,169 A 7/1982 Webinger
 4,449,633 A 5/1984 Johnson et al.
 D283,491 S * 4/1986 Edwards D9/433
 4,809,908 A 3/1989 Keefe
 5,016,813 A 5/1991 Simons
 5,094,359 A 3/1992 DeMars et al.
 5,125,565 A 6/1992 Rogers
 5,170,934 A 12/1992 Lemoine
 5,292,058 A 3/1994 Zoss et al.
 5,294,044 A 3/1994 Clark
 5,307,986 A 5/1994 Schuster
 5,388,758 A 2/1995 Scoveil
 5,411,204 A 5/1995 Demay
 5,520,284 A 5/1996 Gray
 5,522,538 A 6/1996 Gray
 6,041,997 A 3/2000 Jensen
 6,126,065 A 10/2000 Wee
 6,298,992 B1 10/2001 Tsao
 D458,127 S 6/2002 De Groote
 D467,499 S 12/2002 Garza et al.
 D473,787 S 4/2003 Jones, Jr. et al.
 D484,043 S 12/2003 Hwang et al.
 6,676,010 B1 1/2004 Roseth et al.
 D501,318 S * 2/2005 Louie D3/304
 D519,366 S 4/2006 Epstein
 7,021,525 B2 4/2006 Jouppi et al.
 D519,830 S 5/2006 Yocum
 D524,154 S * 7/2006 Post D9/430
 D561,023 S 2/2008 Jacxsens
 7,552,820 B2 6/2009 Kohler
 7,669,755 B2 3/2010 Smalley
 7,699,214 B2 4/2010 Mestre et al.
 D622,589 S 8/2010 Elias et al.
 D630,508 S 1/2011 Hubbard, Jr.
 D631,741 S 2/2011 Hubbard, Jr.
 D631,742 S * 2/2011 Hubbard, Jr. D9/433
 D631,743 S * 2/2011 Hubbard, Jr. D9/433
 7,938,257 B2 5/2011 Kohler
 D666,830 S * 9/2012 Glenn D3/312
 D684,858 S 6/2013 Sill
 8,740,050 B2 6/2014 Zinck et al.
 D717,162 S 11/2014 Baker
 9,169,037 B2 10/2015 Pinkstone
 D753,994 S 4/2016 Pantelleria
 9,309,023 B2 4/2016 Hubbard, Jr.
 D755,624 S 5/2016 Ng

9,346,234 B2 5/2016 Hajek et al.
 D760,497 S * 7/2016 Martin D3/304
 D762,468 S 8/2016 Pantelleria et al.
 D769,114 S * 10/2016 Montemayor D9/431
 D770,274 S * 11/2016 Sater D9/431
 9,505,516 B2 11/2016 Hubbard, Jr.
 D775,947 S 1/2017 Epstein
 9,540,132 B1 1/2017 Lee
 9,701,438 B2 7/2017 Fitzwater et al.
 D796,949 S * 9/2017 Hartley D9/433
 D805,894 S * 12/2017 Lee D9/431
 D808,258 S * 1/2018 Lee D9/431
 D810,561 S 2/2018 Garnett et al.
 D811,875 S 3/2018 Haen et al.
 D813,029 S 3/2018 Borkovetz et al.
 10,017,290 B2 7/2018 Faulkner et al.
 10,086,972 B2 10/2018 Hajek
 10,232,973 B2 3/2019 Burke
 10,239,651 B2 3/2019 Exner et al.
 D848,834 S * 5/2019 Exner D9/431
 D848,835 S * 5/2019 Exner D9/431
 D858,273 S * 9/2019 Exner D9/431
 D860,781 S 9/2019 Exner
 D861,482 S * 10/2019 Lebeau D9/431
 D864,751 S 10/2019 Exner
 D864,753 S 10/2019 Exner
 D876,951 S * 3/2020 Sill D9/431
 D901,295 S * 11/2020 Sytsma D9/433
 D902,031 S * 11/2020 Sytsma D9/433
 10,913,566 B2 2/2021 Exner
 2004/0031842 A1 2/2004 Westerman et al.
 2004/0182916 A1 9/2004 Roseth
 2005/0218202 A1 10/2005 Braoudakis
 2005/0263573 A1 12/2005 Goglio
 2005/0279815 A1 12/2005 Fogle et al.
 2006/0255105 A1 11/2006 Sweet
 2007/0095881 A1 5/2007 Manaige
 2008/0087679 A1 4/2008 Cook
 2009/0039144 A1 2/2009 Hooi et al.
 2011/0308991 A1 12/2011 Hubbard
 2014/0263600 A1 9/2014 Valencia
 2017/0008661 A1 1/2017 Flatley
 2019/0256241 A1 8/2019 Exner et al.

FOREIGN PATENT DOCUMENTS

JP 2004-123101 4/2004
 JP 2009-073536 4/2009
 KR 20-0171748 Y1 3/2000
 WO WO 89/10308 11/1989

OTHER PUBLICATIONS

Colpac Visione Cardboard Food Tray, [online] Published on Apr. 20, 2017. Retrieved Dec. 18, 2018 from URL: <http://www.castawayfoodpackaging.co.nz/product/01viztfl-vizione-cardboard-food-tray/>.

* cited by examiner

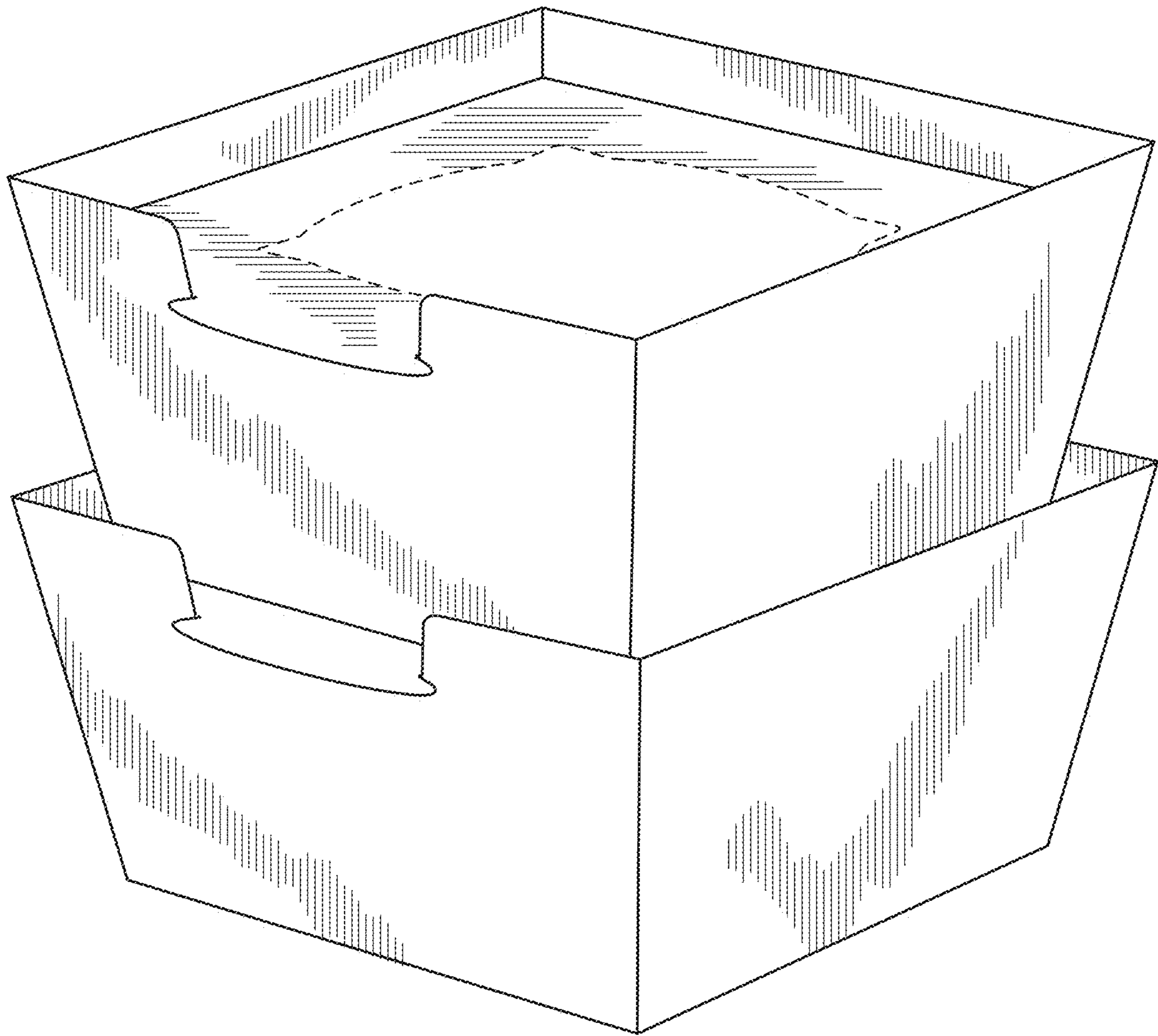


FIG. 1

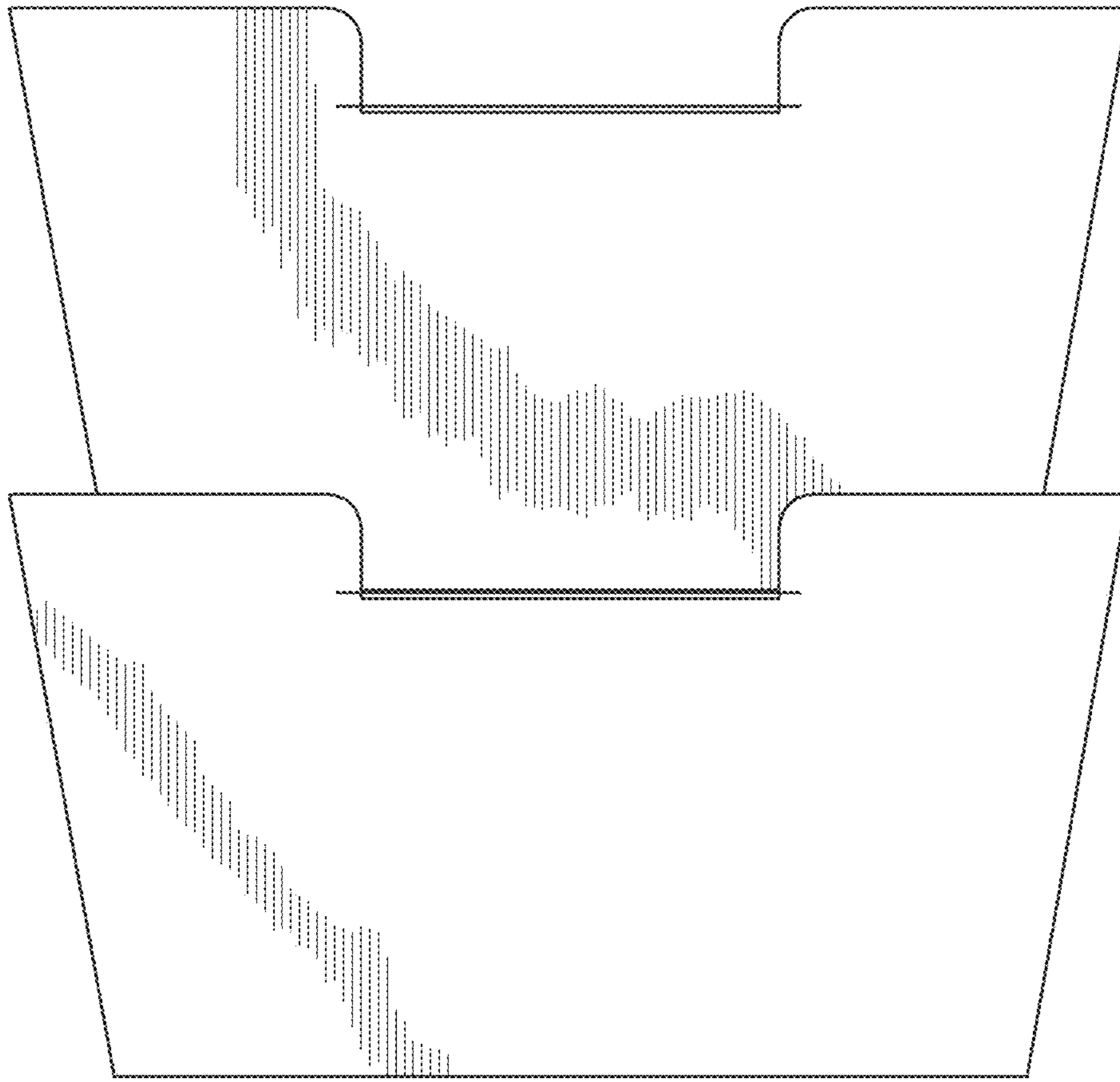


FIG. 2

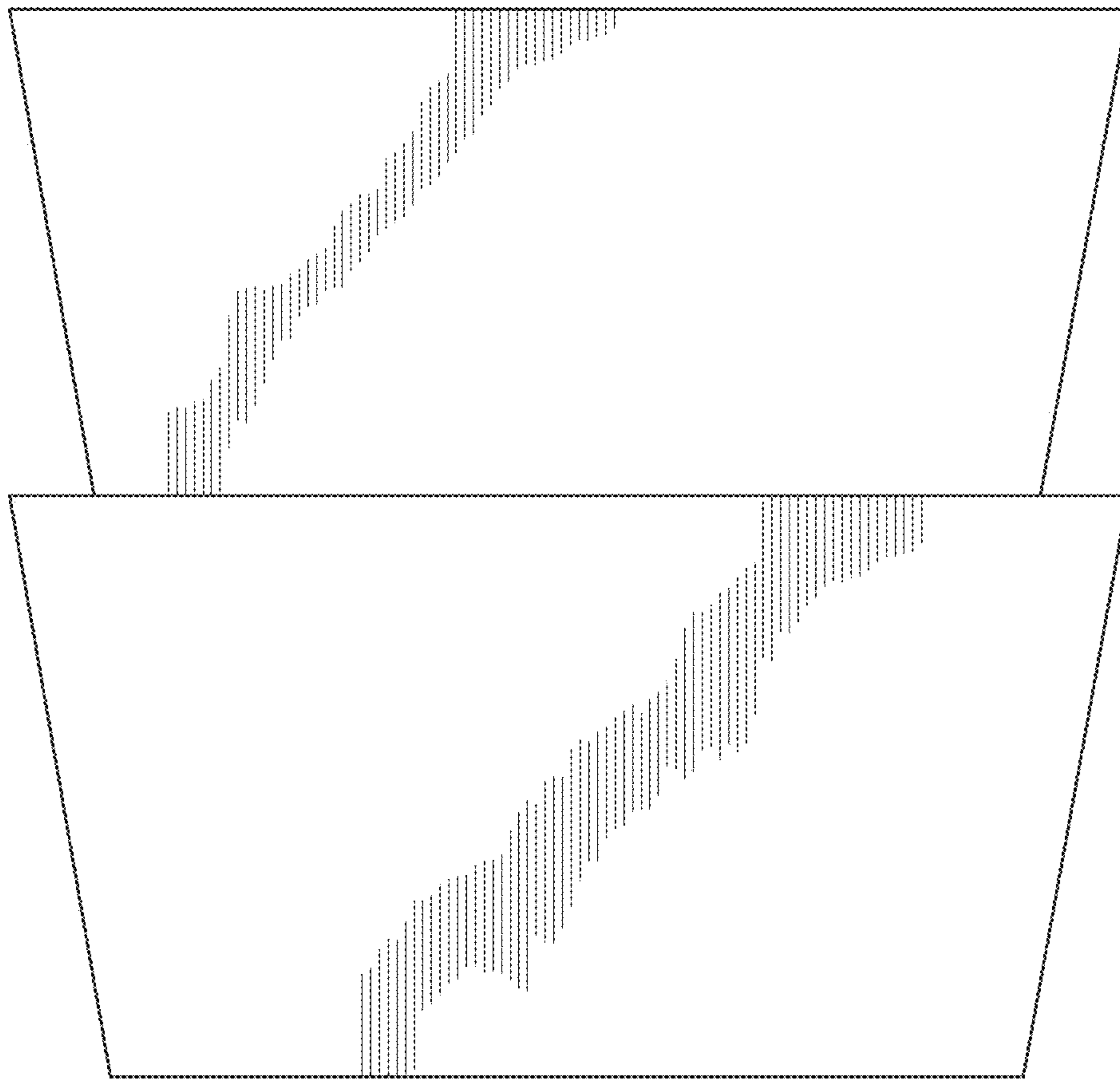


FIG. 3

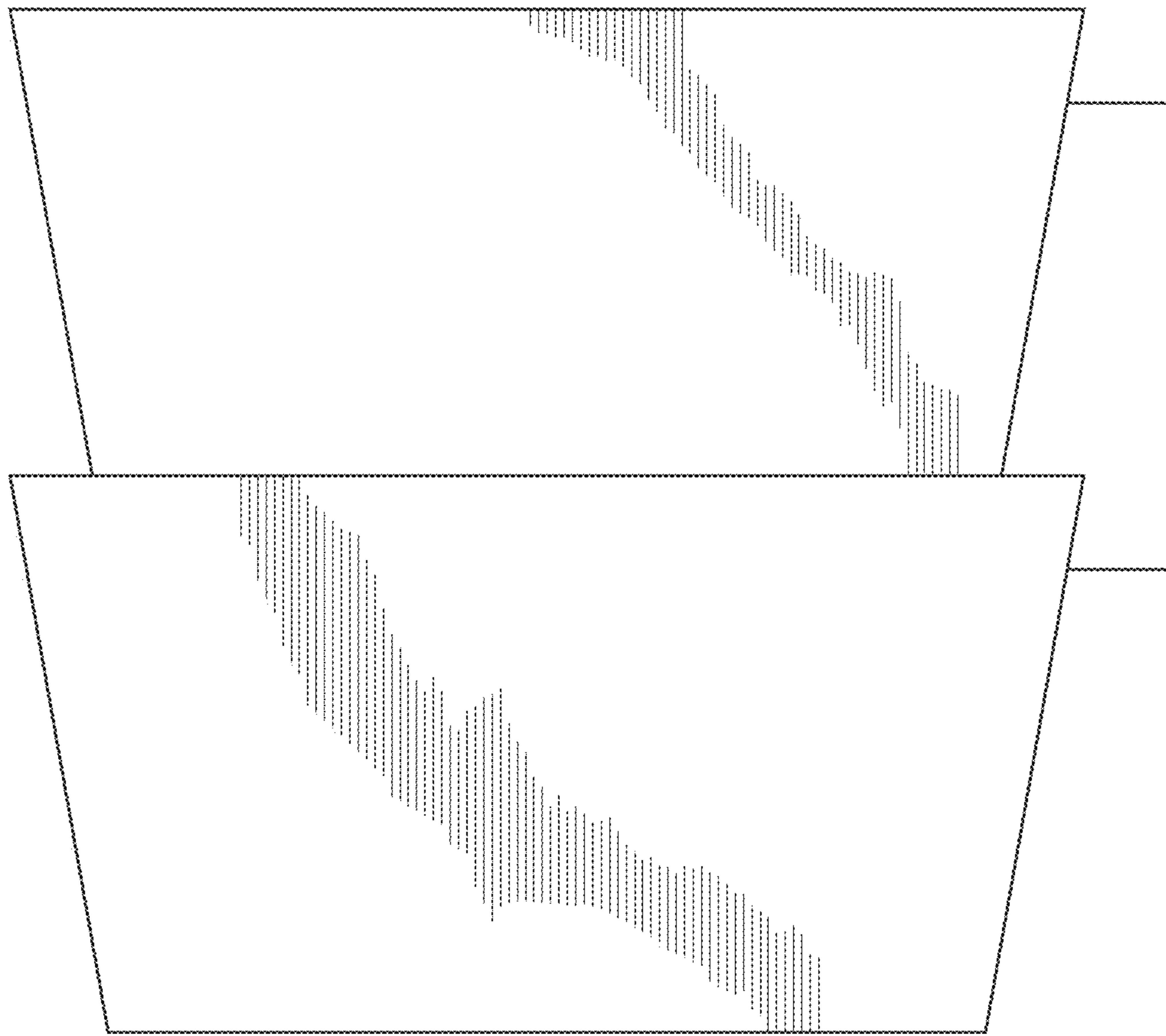


FIG. 4

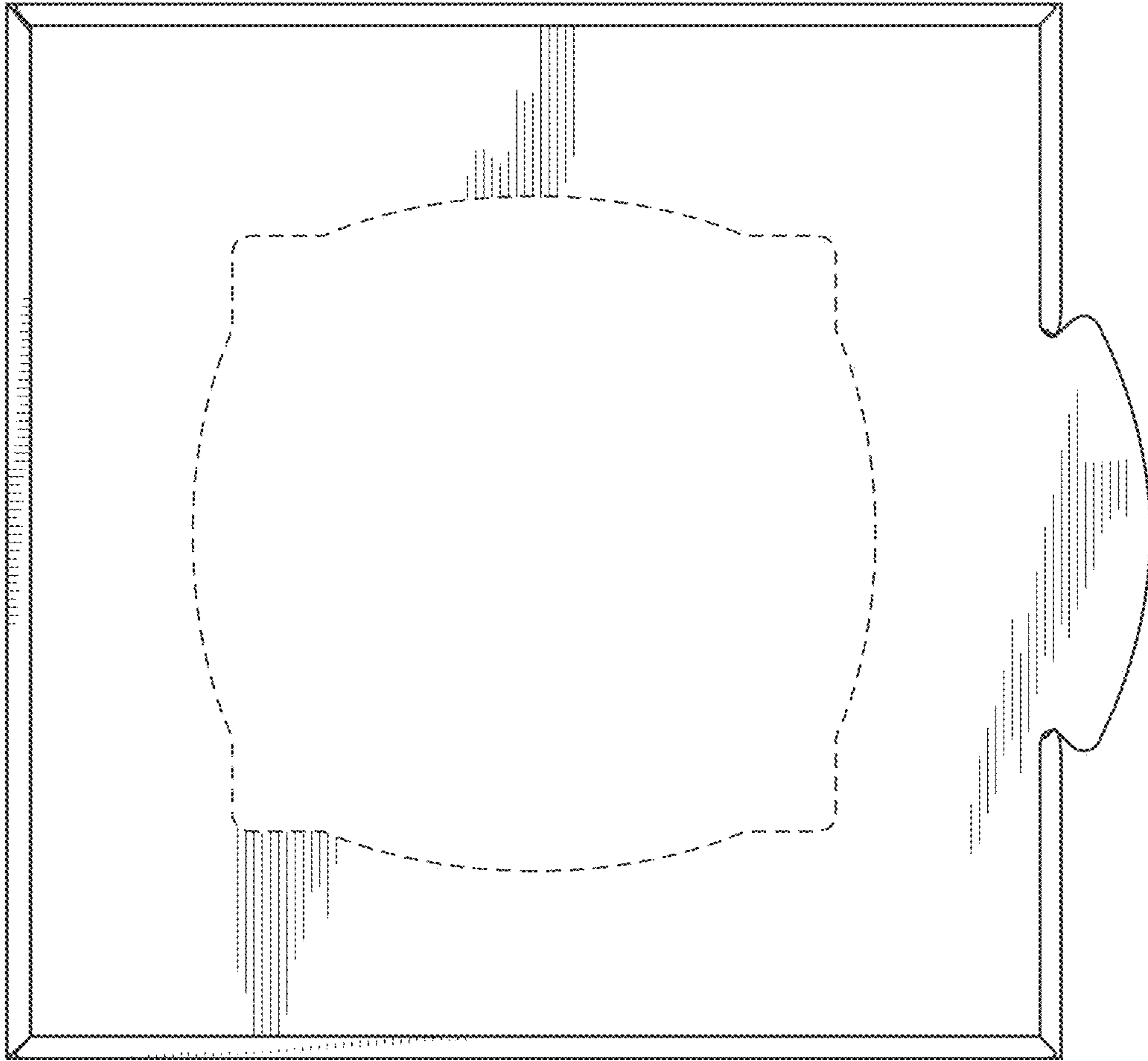


FIG. 5

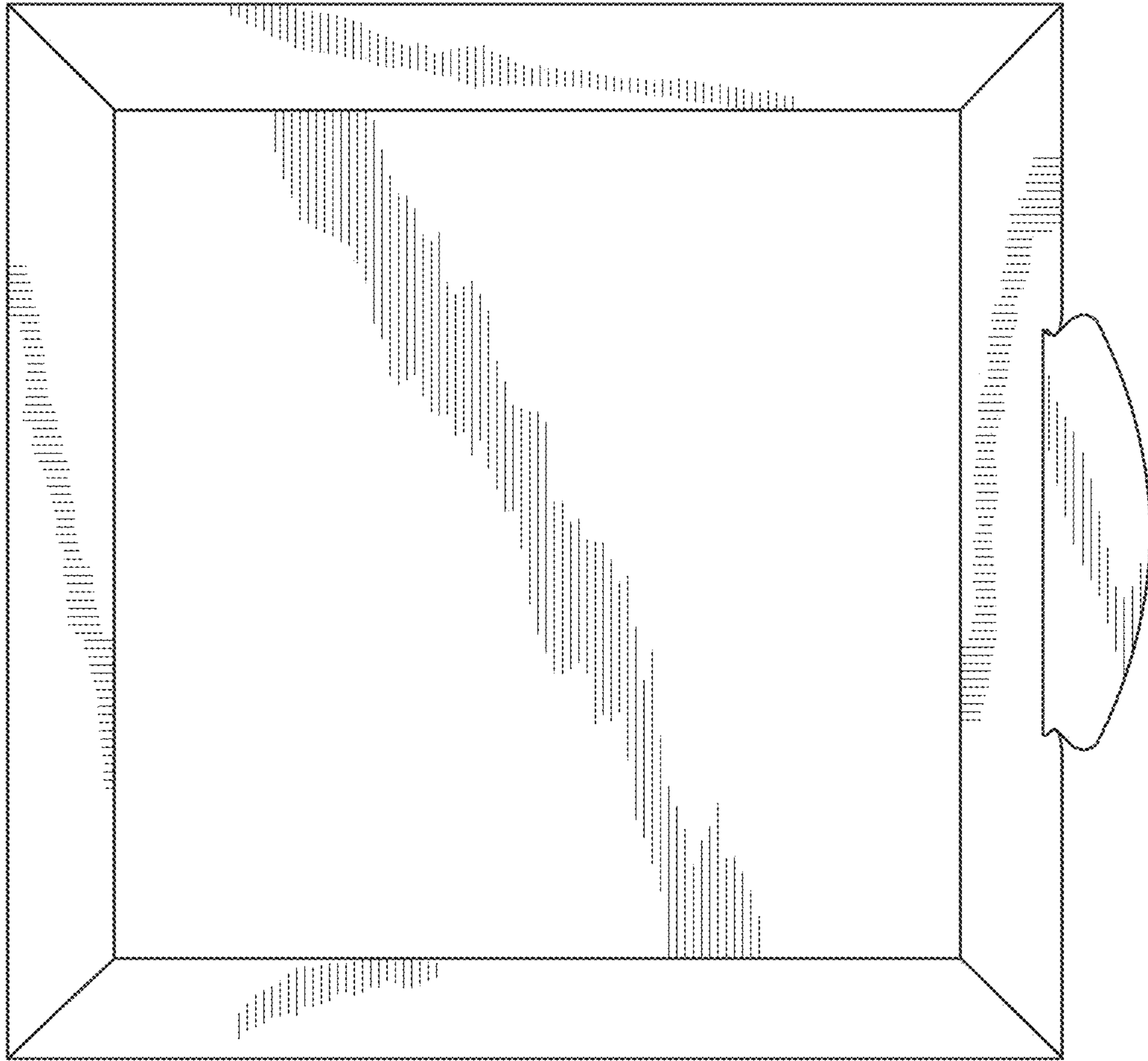


FIG. 6