



US00D954547S

(12) **United States Design Patent**  
**Zhang**

(10) **Patent No.:** **US D954,547 S**  
(45) **Date of Patent:** **\*\* Jun. 14, 2022**

- (54) **CORD FASTENER**
- (71) Applicant: **Xiao Zhang**, Henan Province (CN)
- (72) Inventor: **Xiao Zhang**, Henan Province (CN)
- (\*\*) Term: **15 Years**
- (21) Appl. No.: **29/717,341**
- (22) Filed: **Dec. 17, 2019**
- (51) **LOC (13) Cl.** ..... **08-08**
- (52) **U.S. Cl.**  
USPC ..... **D8/383**
- (58) **Field of Classification Search**  
USPC ..... D8/383, 356, 367, 394, 395  
CPC ..... F16G 11/10; F16G 11/101; F16G 11/105;  
F16G 11/106  
See application file for complete search history.

- D465,408 S \* 11/2002 Man ..... D8/383
- D477,772 S \* 7/2003 Nezu ..... A41F 9/00  
D11/215
- D481,300 S \* 10/2003 Nezu ..... D8/383
- D481,301 S \* 10/2003 Nezu ..... D8/383
- D518,405 S \* 4/2006 Stern ..... D11/86
- D551,067 S \* 9/2007 Kawamura ..... D8/383
- D559,667 S \* 1/2008 Yoshie ..... D8/383
- D560,477 S \* 1/2008 Yoshie ..... D8/383
- D560,478 S \* 1/2008 Yoshie ..... D8/383
- D560,479 S \* 1/2008 Yoshie ..... D8/383
- 7,337,503 B1 \* 3/2008 Ashbrook ..... E06B 9/327  
24/115 G
- D571,194 S \* 6/2008 Mei ..... D8/383

(Continued)

**FOREIGN PATENT DOCUMENTS**

- CA 2685600 A1 \* 1/2009 ..... A43C 7/00
  - EP 0289358 A1 \* 11/1988 ..... A45C 13/30
- (Continued)

*Primary Examiner* — Sheryl Lane  
*Assistant Examiner* — Ieisha N Price

(56) **References Cited**

**U.S. PATENT DOCUMENTS**

- 4,622,723 A \* 11/1986 Krauss ..... F16G 11/101  
24/115 G
- 4,675,948 A \* 6/1987 Bengtsson ..... F16G 11/101  
24/115 G
- D299,310 S \* 1/1989 Fildan ..... D8/356
- 5,666,699 A \* 9/1997 Takahashi ..... F16G 11/101  
24/115 G
- 5,671,505 A \* 9/1997 Anscher ..... F16G 11/101  
24/115 G
- 5,737,808 A \* 4/1998 Ikeda ..... F16G 11/101  
24/115 G
- D399,045 S \* 10/1998 Liston ..... D2/978
- D417,388 S \* 12/1999 Kawahara ..... D8/383
- 6,018,851 A \* 2/2000 Anscher ..... F16G 11/101  
24/115 G
- 6,026,548 A \* 2/2000 Jackson ..... A43C 7/08  
24/115 G
- 6,038,746 A \* 3/2000 Anscher ..... F16G 11/101  
24/115 G
- D439,148 S \* 3/2001 Ishii ..... D8/383

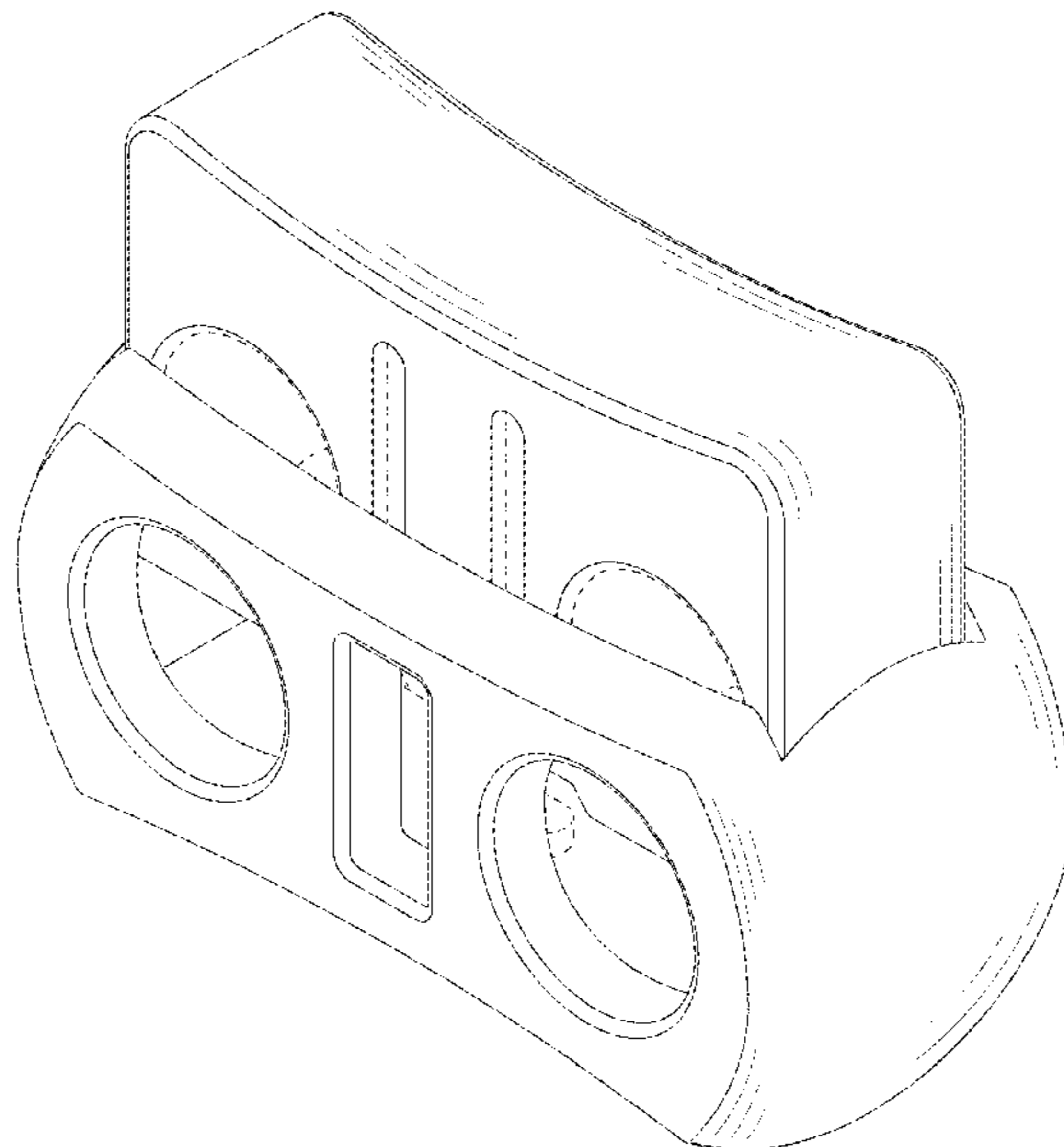
(57) **CLAIM**

The ornamental design for a cord fastener, as shown and described.

**DESCRIPTION**

FIG. 1 is a perspective view of a cord fastener showing my new design;  
FIG. 2 is a front elevational view thereof;  
FIG. 3 is a top plan view thereof;  
FIG. 4 is a left side elevational view thereof;  
FIG. 5 is a rear elevational view thereof;  
FIG. 6 is a right side view thereof; and,  
FIG. 7 is a bottom plan view thereof.  
The broken lines in the drawings illustrate portions of the cord fastener and form no part of the claimed design.

**1 Claim, 7 Drawing Sheets**





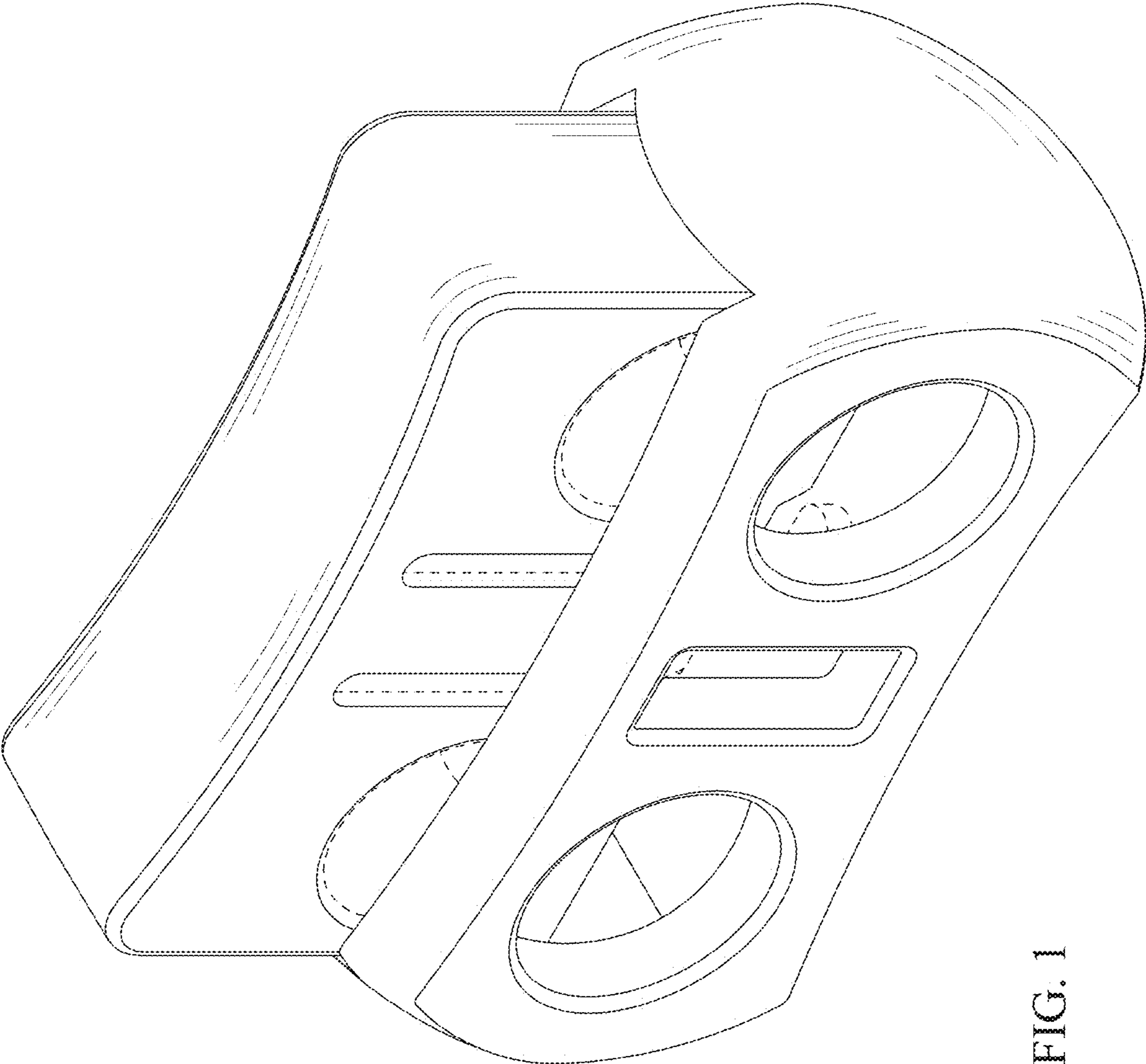


FIG. 1

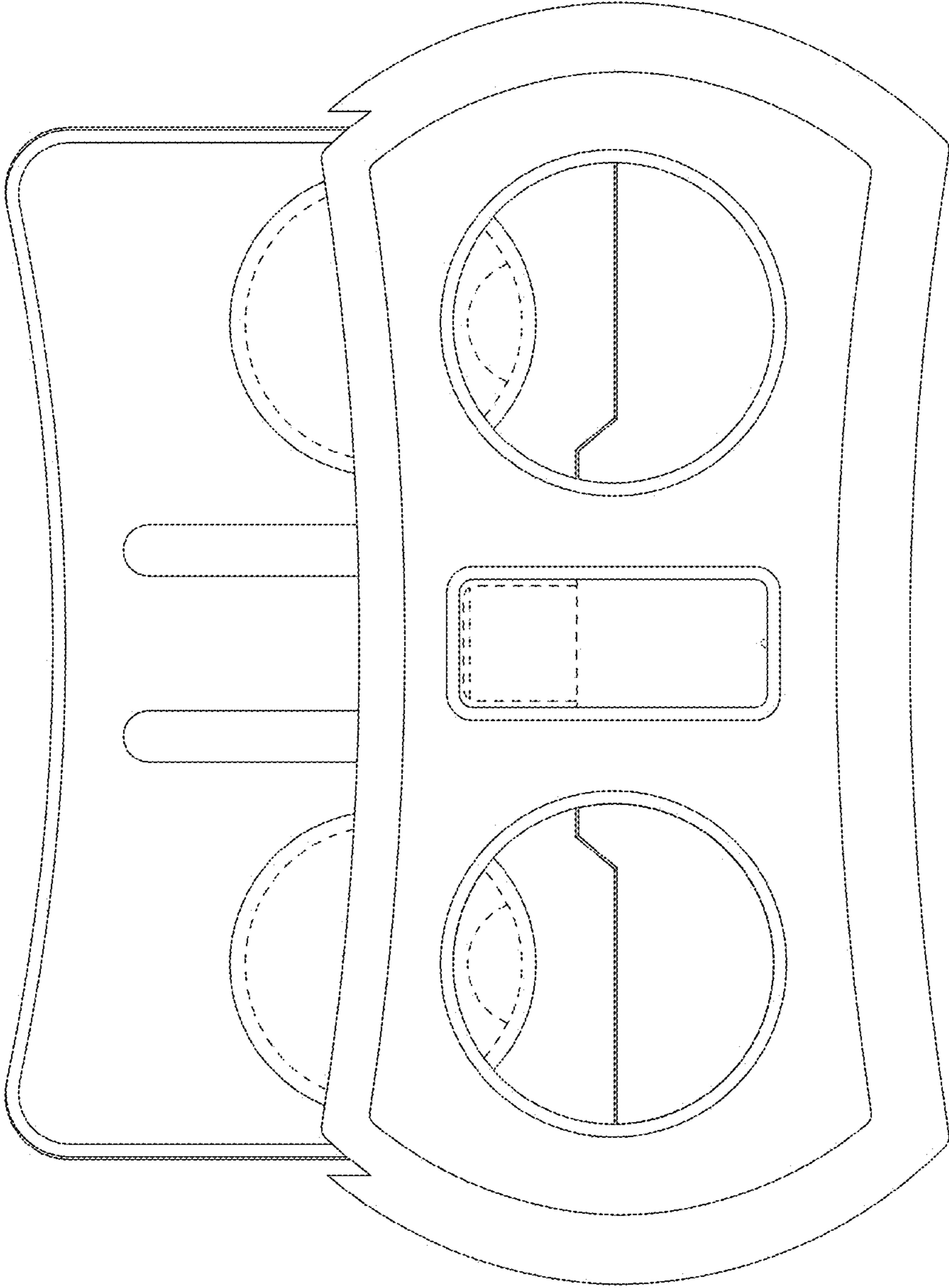


FIG. 2

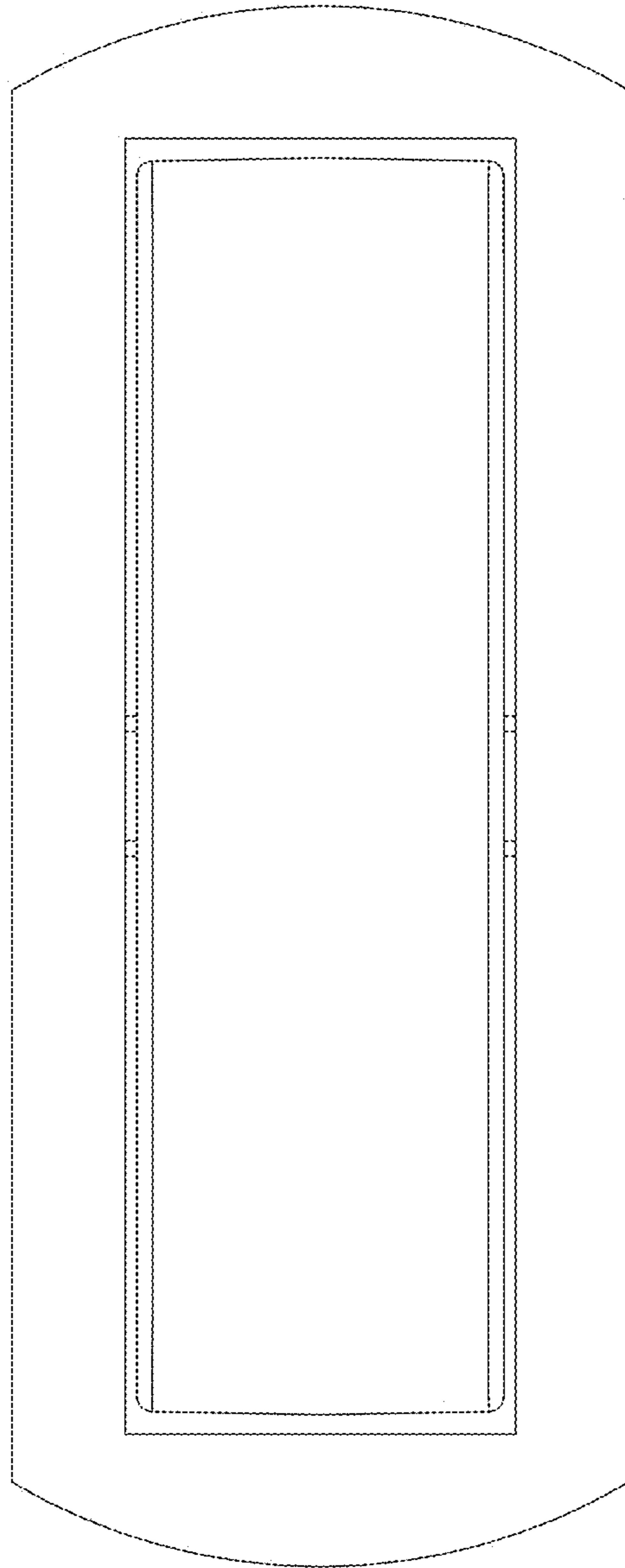


FIG. 3

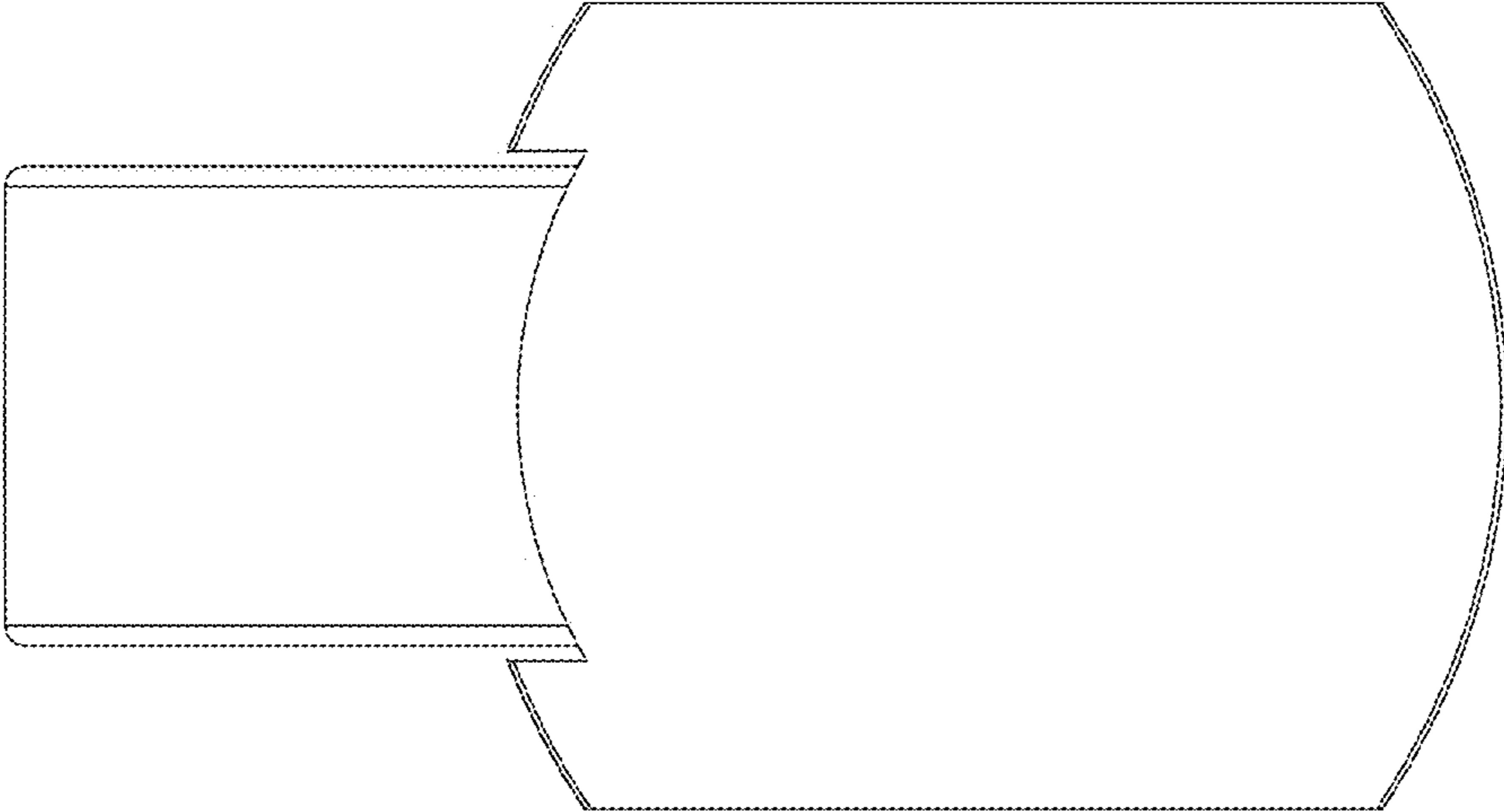


FIG. 4

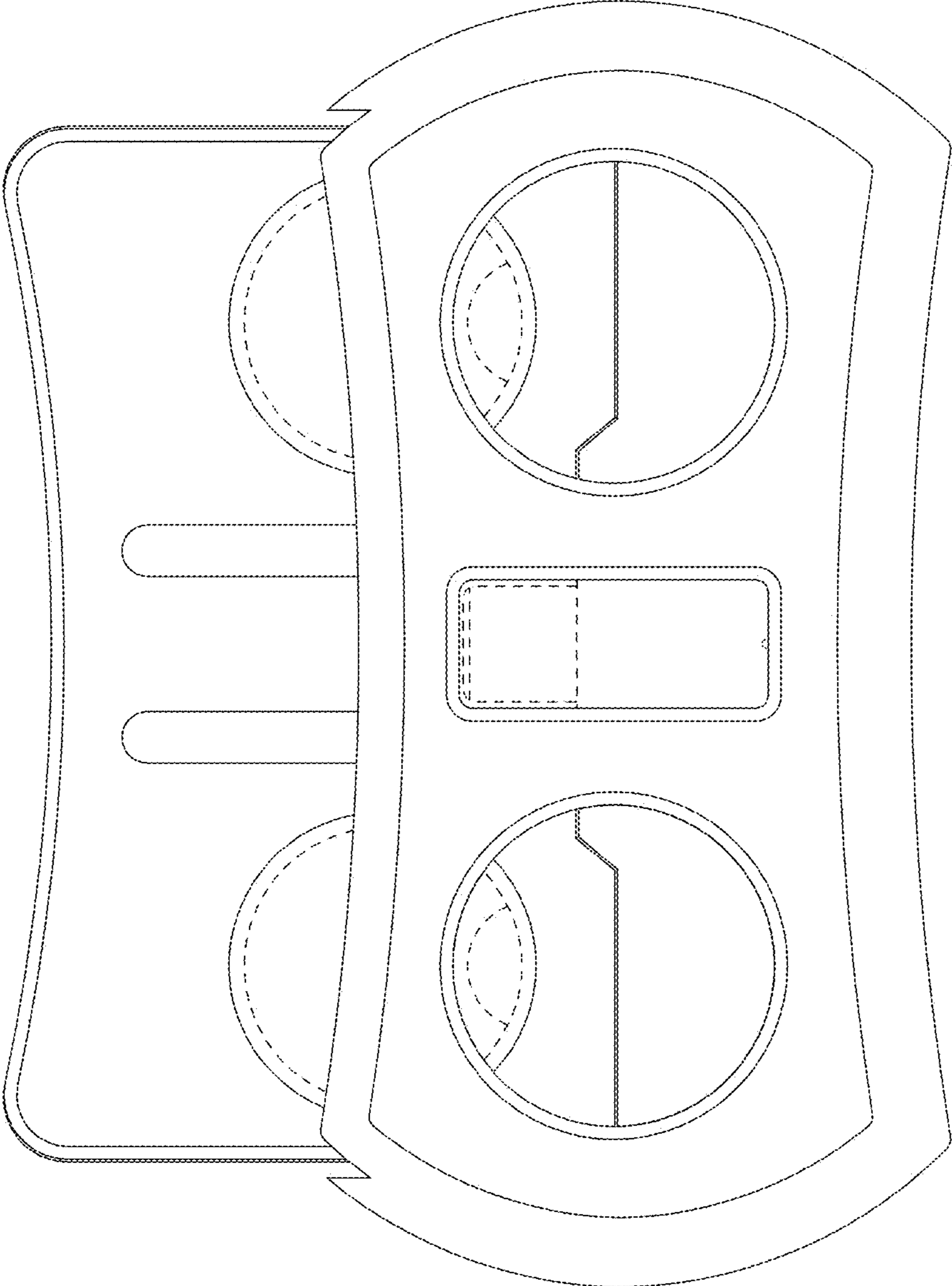


FIG. 5

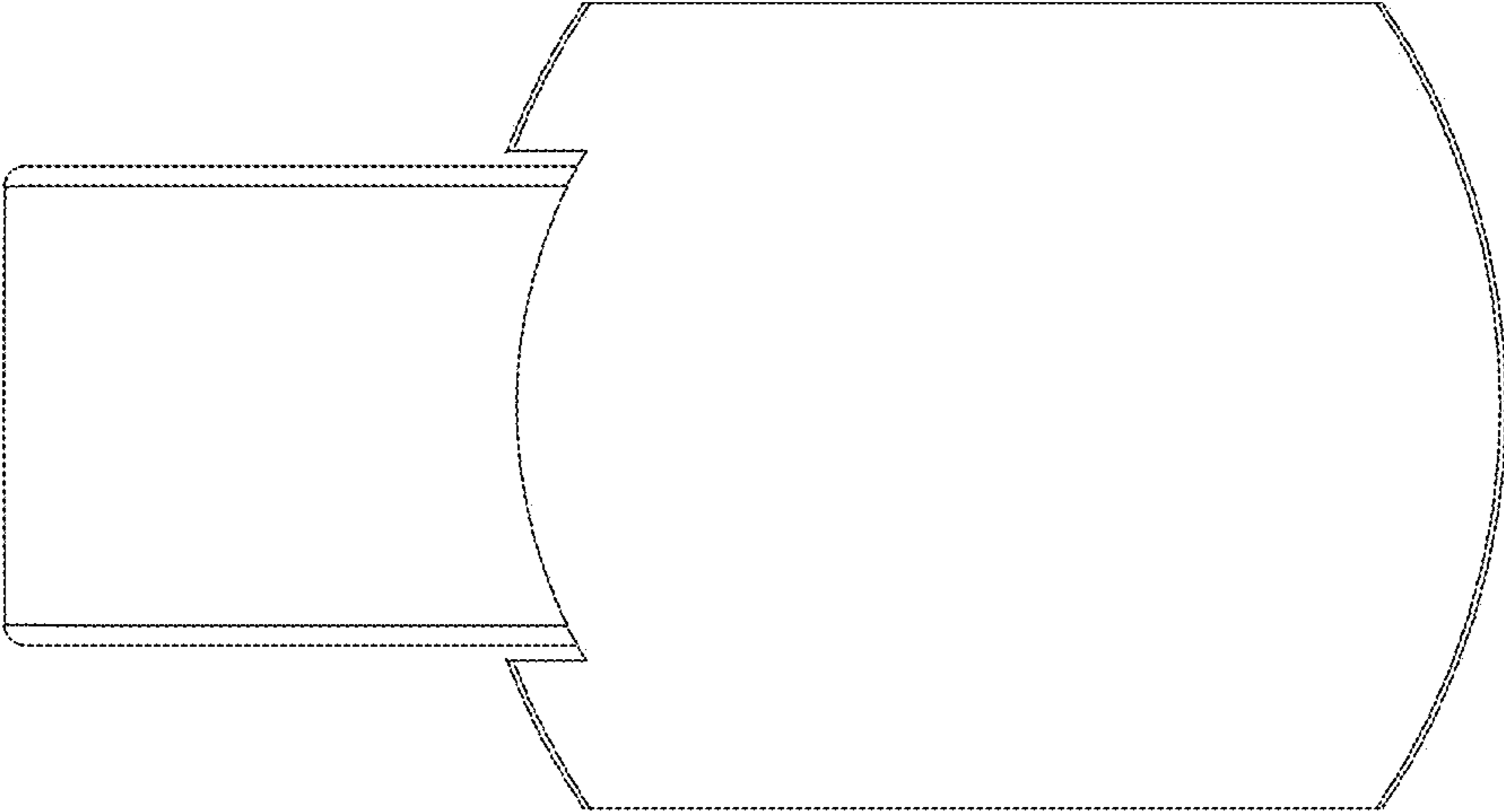


FIG. 6



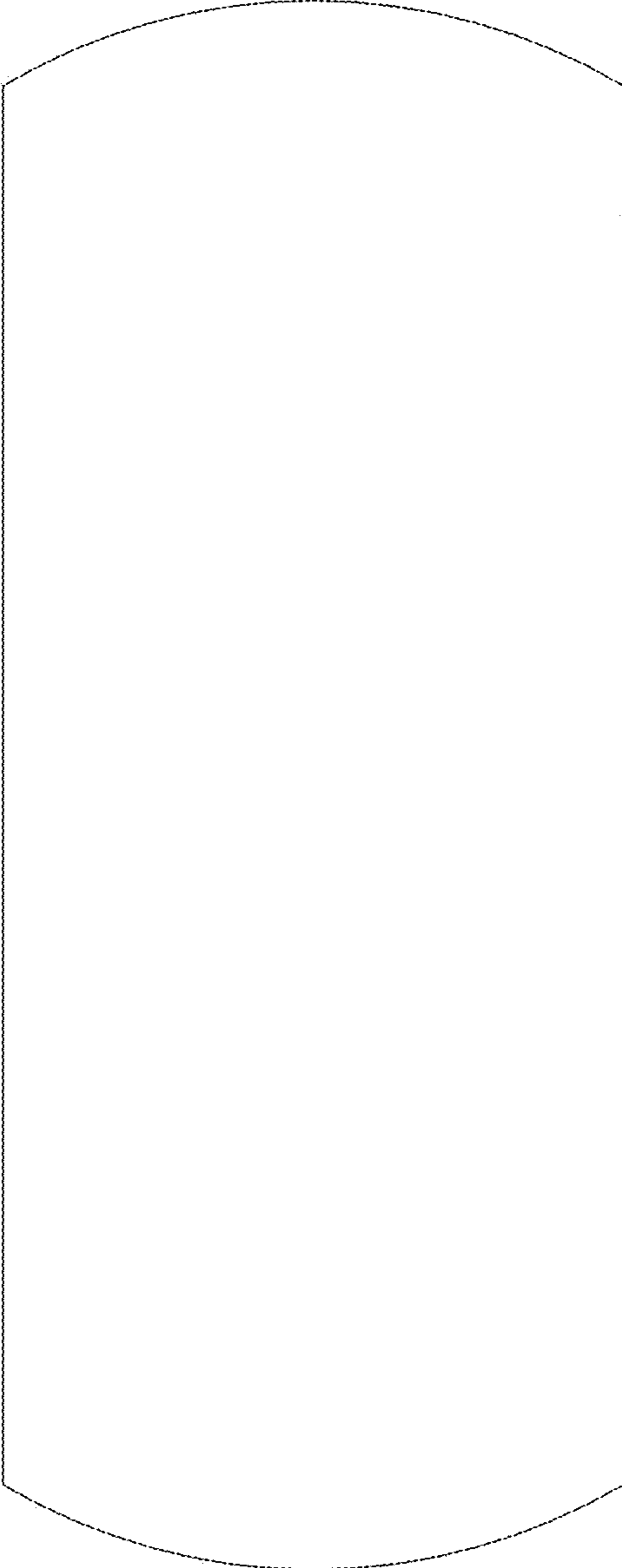


FIG. 7