



US00D954544S

(12) **United States Design Patent**  
**Nelson**

(10) **Patent No.:** **US D954,544 S**  
(45) **Date of Patent:** **\*\* Jun. 14, 2022**

- (54) **MAGNETIC HOOK APPARATUS**
- (71) Applicant: **Encore Packaging LLC**, Vernon Hills, IL (US)
- (72) Inventor: **Timothy H. Nelson**, Winnetka, IL (US)
- (73) Assignee: **Encore Packaging LLC**, Vernon Hills, IL (US)
- (\*) Notice: Patent file contains an affidavit/declaration under 37 CFR 1.130(b).
- (\*\*) Term: **15 Years**
- (21) Appl. No.: **29/716,132**
- (22) Filed: **Dec. 6, 2019**
- (51) **LOC (13) Cl.** ..... **08-05**
- (52) **U.S. Cl.**  
USPC ..... **D8/373**
- (58) **Field of Classification Search**  
USPC ..... D8/373, 372, 370, 369, 368, 367, 333;  
D6/326, 328-317, 315  
CPC ... A47F 7/19; A47F 13/085; A47G 2025/448;  
A47G 25/005; A47G 25/14; A47G 25/1442; A47G 25/16; A47G 25/25;  
A47G 25/26; A47G 25/32; A47G 25/40;  
B65D 85/70; B65D 11/10  
See application file for complete search history.

(56) **References Cited**

**U.S. PATENT DOCUMENTS**

- 1,119,396 A \* 12/1914 Bray ..... A47K 10/04  
211/123
- 1,337,588 A \* 4/1920 David ..... B65H 35/0006  
225/68
- 4,487,376 A \* 12/1984 Compton ..... A47K 10/3836  
225/79
- D448,592 S \* 10/2001 McBride ..... A47K 10/3836  
D6/522

- D811,116 S \* 2/2018 Goodman ..... A47K 10/3836  
D6/522
  - D822,403 S \* 7/2018 Goodman ..... D6/522
  - D859,029 S \* 9/2019 Mariano ..... D6/522
- (Continued)

**OTHER PUBLICATIONS**

Amazon.com : JORESTECH Portable Manual Two-Handed Pallet Wrap Stretch Film Dispenser. (Mar. 1, 2018). Amazon. Retrieved Oct. 15, 2021, URL:<https://www.amazon.com/dp/B079F2TVD4/ref=cm\_sw\_em\_r\_mt\_dp\_WN56AA2JC1R1VTP700XH?\_encoding=UTF8&psc=1> (Year: 2018).\*

(Continued)

*Primary Examiner* — Rachel A. Voorhies  
*Assistant Examiner* — Benjamin D. Wannemacher  
(74) *Attorney, Agent, or Firm* — Fitch, Even, Tabin & Flannery LLP

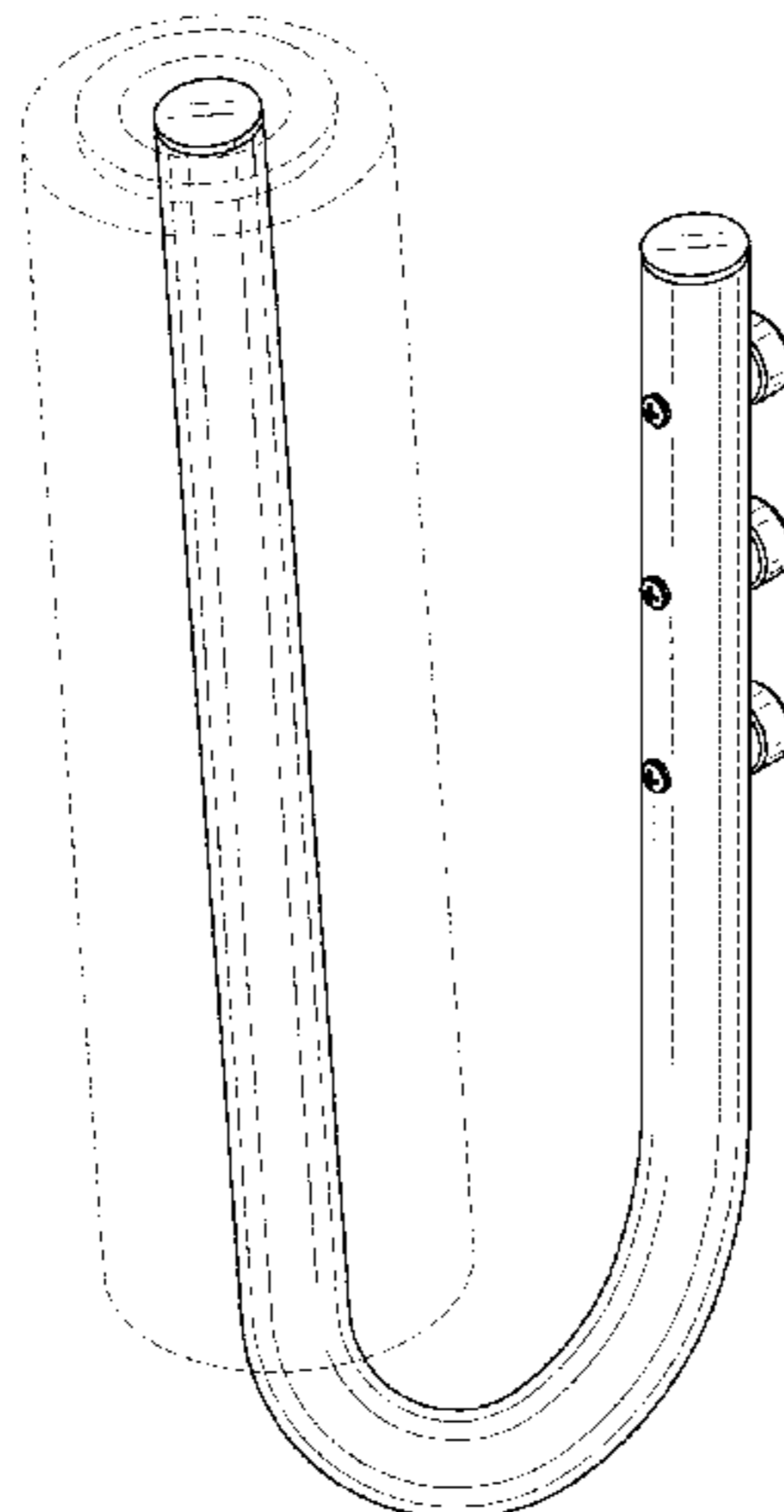
(57) **CLAIM**

I claim the ornamental design for a magnetic hook apparatus, as shown and described.

**DESCRIPTION**

FIG. 1 is a front-top perspective view of a magnetic hook apparatus showing my new design;  
FIG. 2 is a bottom-rear perspective view thereof;  
FIG. 3 is a right side elevation view thereof;  
FIG. 4 is a left side elevation view thereof;  
FIG. 5 is a rear elevation view thereof;  
FIG. 6 is a front elevation view thereof;  
FIG. 7 is a top view thereof;  
FIG. 8 is a bottom view thereof; and,  
FIG. 9 is a front-top perspective view of the magnetic hook apparatus including a roll of material shown in broken line and illustrating unclaimed environmental subject matter that forms no part of the claimed design.

(Continued)



Any portions of the magnetic hook apparatus shown in broken lines in the figures depict environmental subject matter, are for illustrative purposes only, and form no part of the claimed design.

**1 Claim, 7 Drawing Sheets**

(56)

**References Cited**

U.S. PATENT DOCUMENTS

2008/0011782 A1\* 1/2008 Sidman ..... A47K 5/12  
222/192  
2018/0228322 A1\* 8/2018 Goodman ..... A47K 10/3836

OTHER PUBLICATIONS

Fastpack Packaging Inc. (Feb. 22, 2019). Magnetic Stretch Film Holder For the Warehouse [Video]. YouTube. Retrieved Oct. 20, 2021 URL:<<https://www.youtube.com/watch?v=33C1XzIuvM>> (Year: 2019).\*

Fastpack Packaging Inc. (Aug. 28, 2020). Accessed: Oct. 15, 2021. Magnetic Stretch Film Holder & Lite Weight Stretch Wrap Film Dispenser w/Magnet for Pre-Stretch [Video]. YouTube. URL:<[https://www.youtube.com/watch?v=DrUk\\_dGoqVU&t=52s](https://www.youtube.com/watch?v=DrUk_dGoqVU&t=52s)> (Year: 2020).\*

The Raymond Corporation; "Raymond Magnetic Stretch Wrap Holder"; 2014; Raymond Pads, 6650 Kirkville Road, East Syracuse, NY 13057; [www.raymondpads.com](http://www.raymondpads.com); 1 page.

\* cited by examiner

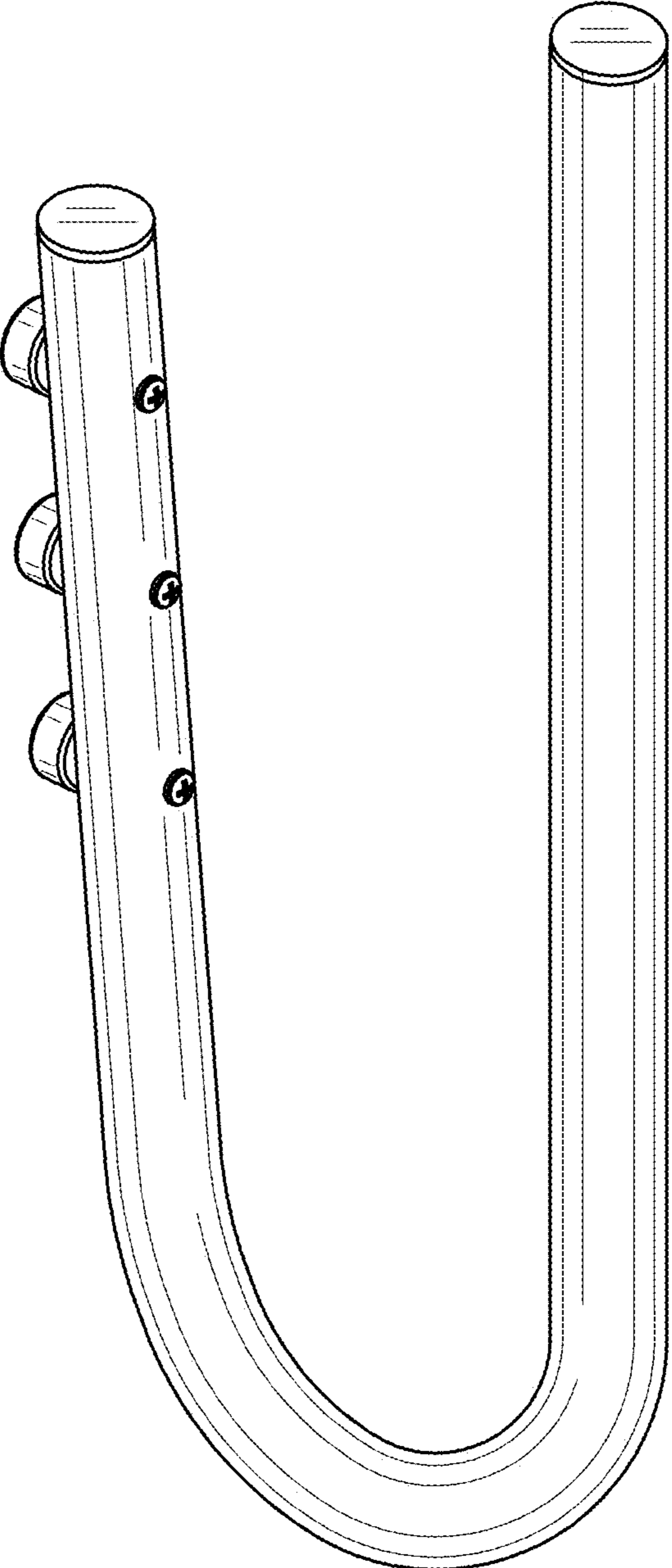


FIG. 1

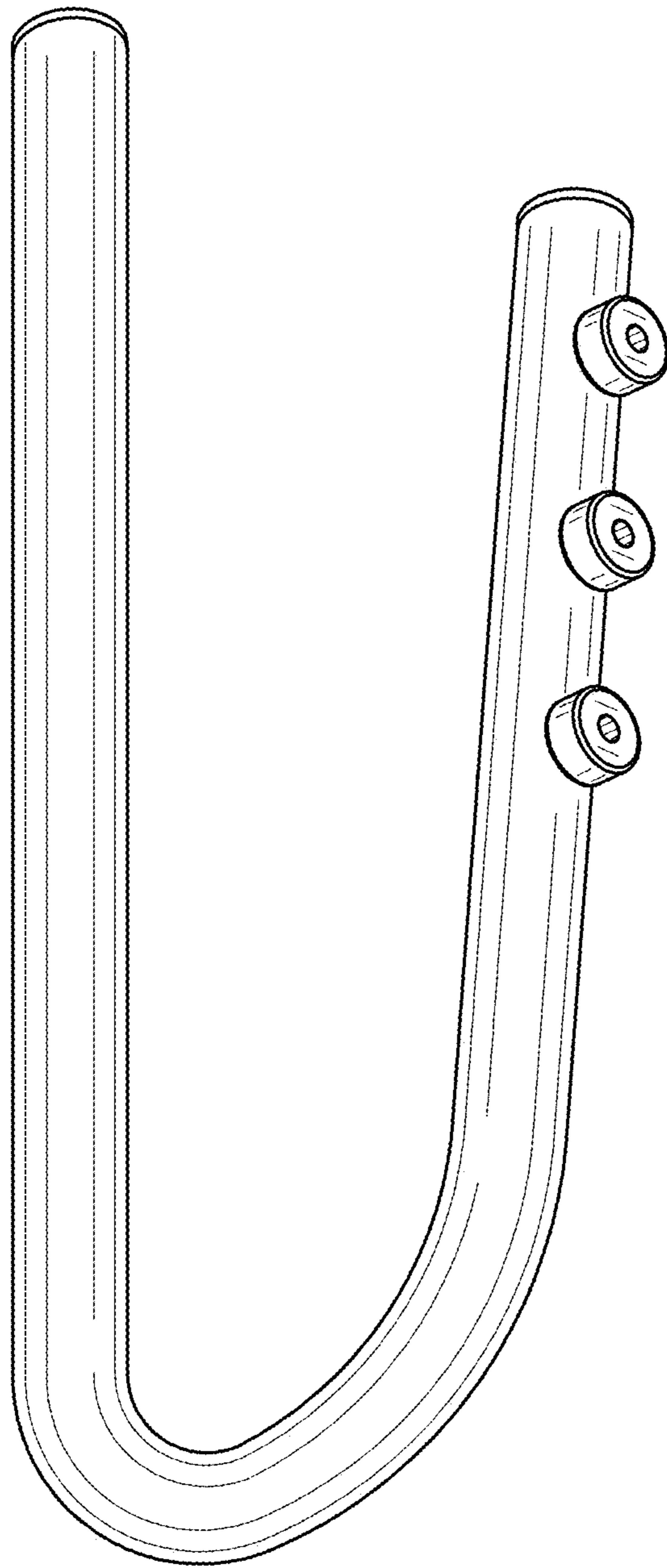


FIG. 2

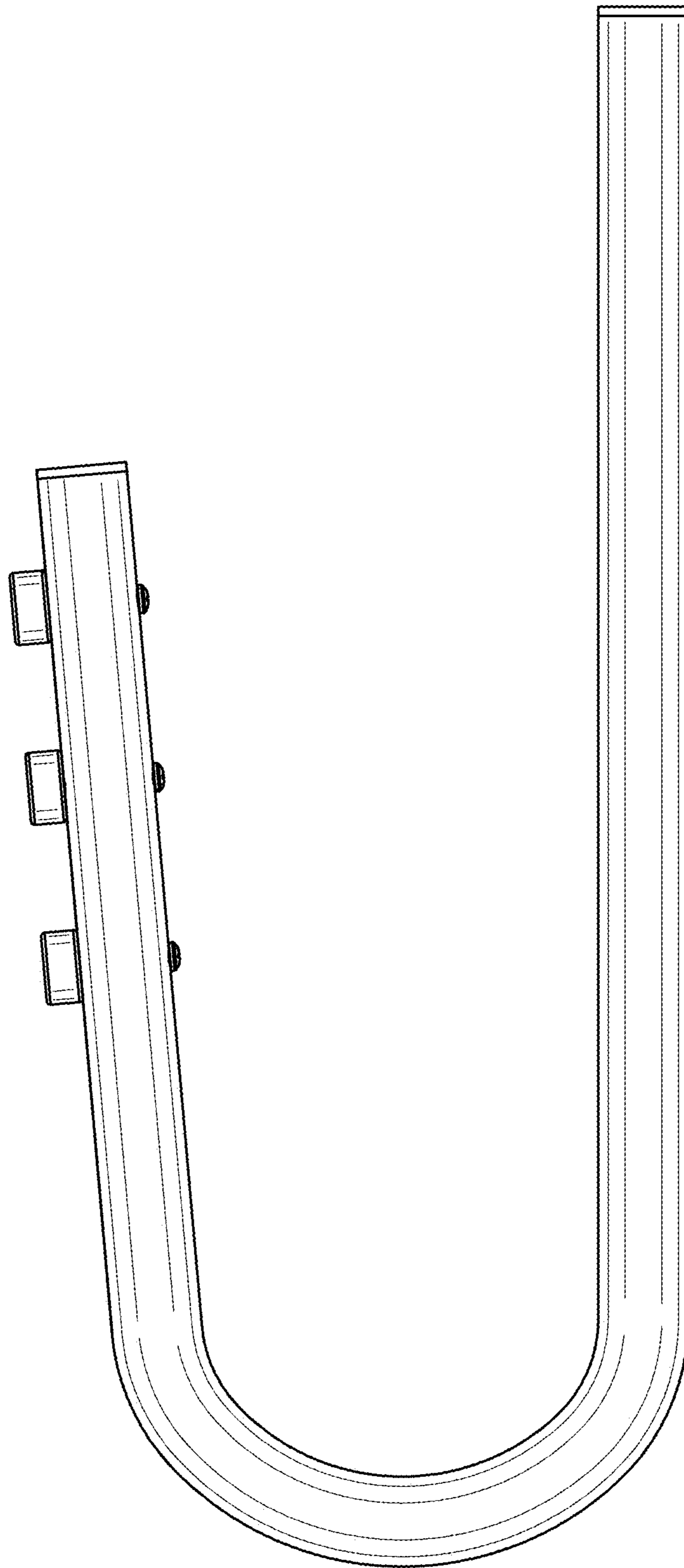


FIG. 3

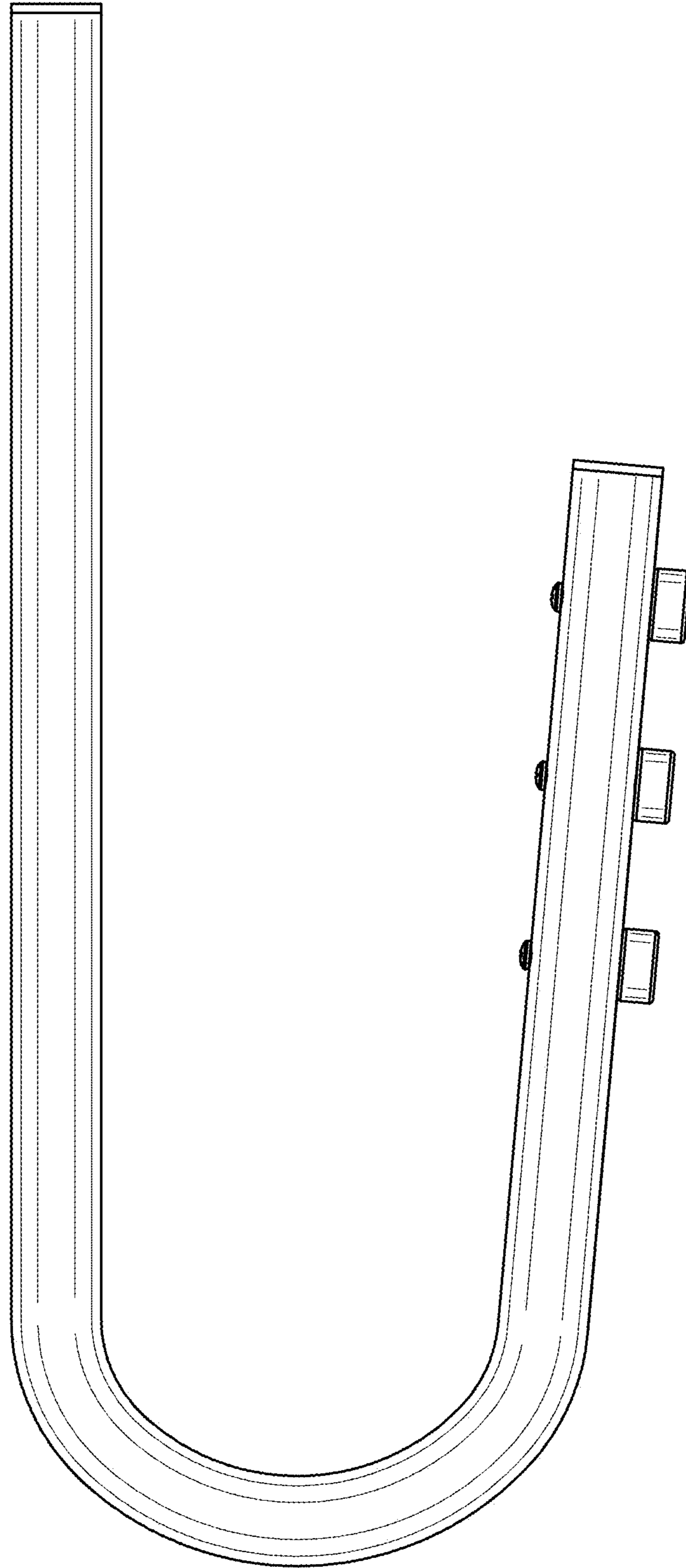


FIG. 4



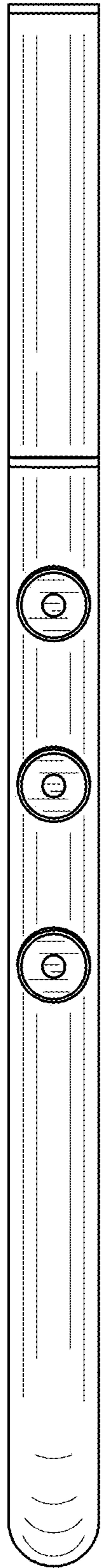


FIG. 5

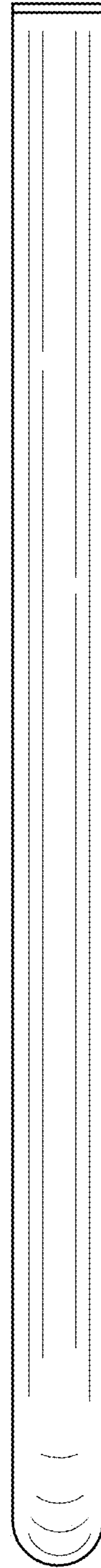


FIG. 6

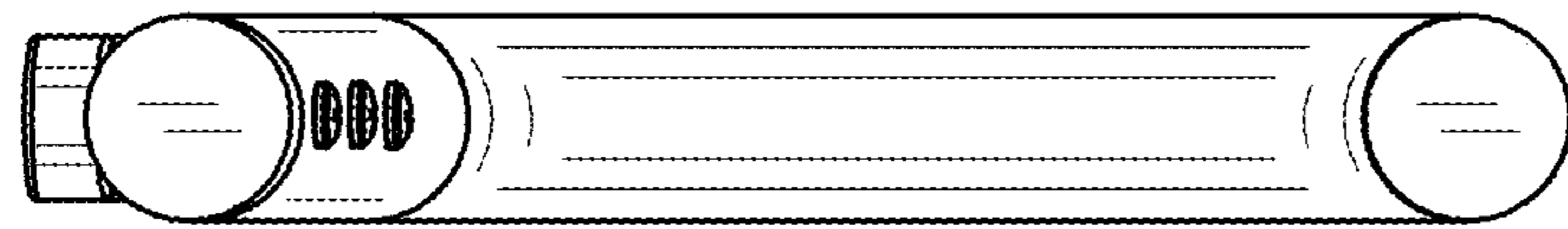


FIG. 7

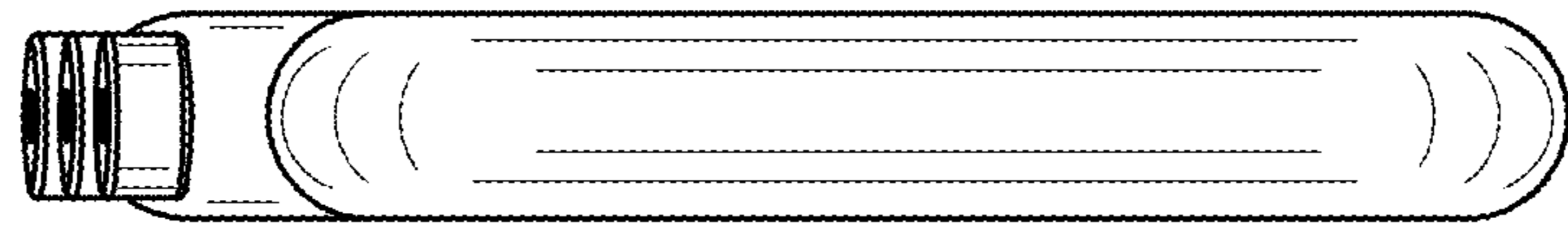


FIG. 8



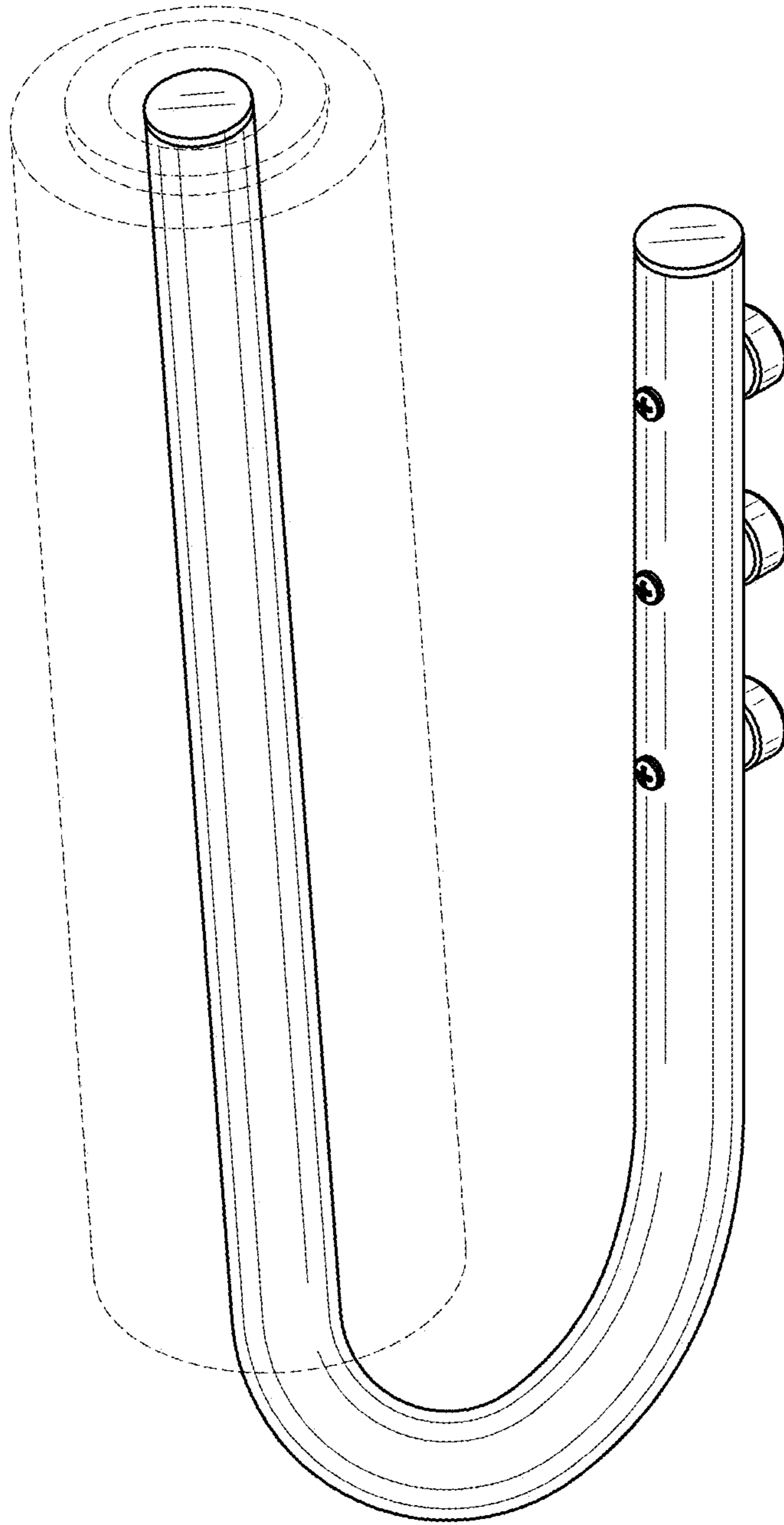


FIG. 9