



US00D954541S

(12) **United States Design Patent**  
**Grossman**

(10) **Patent No.:** **US D954,541 S**  
(45) **Date of Patent:** **\*\* Jun. 14, 2022**

(54) **CARABINER**

(71) Applicant: **Peter Grossman**, Castle Hill (AU)

(72) Inventor: **Peter Grossman**, Castle Hill (AU)

(\*\*) Term: **15 Years**

(21) Appl. No.: **29/812,702**

(22) Filed: **Oct. 24, 2021**

**Related U.S. Application Data**

(62) Division of application No. 29/723,627, filed on Feb. 9, 2020, now Pat. No. Des. 943,397.

(51) **LOC (13) Cl.** ..... **09-06**

(52) **U.S. Cl.**  
USPC ..... **D8/356**

(58) **Field of Classification Search**  
USPC ..... D8/356, 354, 105, 349, 367; D3/207;  
24/376

(Continued)

(56) **References Cited**

**U.S. PATENT DOCUMENTS**

582,780 A \* 5/1897 Eldridge ..... F16B 45/02  
24/582.11  
D577,574 S \* 9/2008 Liang ..... D8/356  
(Continued)

*Primary Examiner* — Cynthia R Underwood

(57) **CLAIM**

The ornamental design of a carabiner, as shown and described.

**DESCRIPTION**

FIG. 1 is a front perspective view of a carabiner in accordance with the present invention, with the portions shown in broken lines included for illustrative purposes only and forming no part of the claimed design;  
FIG. 2 is a front view thereof;

FIG. 3 is a rear view thereof;  
FIG. 4 is a top view thereof;  
FIG. 5 is a bottom view thereof;  
FIG. 6 is a left side view thereof;  
FIG. 7 is a right side view thereof;  
FIG. 8 is a front perspective view of a second embodiment of the carabiner in accordance with the present invention, with the broken lines depicting portions of the carabiner that form no part of the claim;  
FIG. 9 is a front view of FIG. 8;  
FIG. 10 is a rear view of FIG. 8;  
FIG. 11 is a top view of FIG. 8;  
FIG. 12 is a bottom view of FIG. 8;  
FIG. 13 is a left side view of FIG. 8;  
FIG. 14 is a right side view of FIG. 8;  
FIG. 15 is a front perspective view of a third embodiment of the carabiner;  
FIG. 16 is a front view of FIG. 15;  
FIG. 17 is a rear view of FIG. 15;  
FIG. 18 is a top view of FIG. 15;  
FIG. 19 is a bottom view of FIG. 15;  
FIG. 20 is a left side view of FIG. 15;  
FIG. 21 is a right side view of FIG. 15;  
FIG. 22 is a front perspective view of a fourth embodiment of the carabiner in accordance with the present invention, with the broken lines depicting portions of the carabiner that form no part of the claim;  
FIG. 23 is a front view of FIG. 22;  
FIG. 24 is a rear view of FIG. 22;  
FIG. 25 is a top view of FIG. 22;  
FIG. 26 is a bottom view of FIG. 22;  
FIG. 27 is a left side view of FIG. 22;  
FIG. 28 is a right side view of FIG. 22;  
FIG. 29 is a front perspective view of a fifth embodiment of the carabiner in accordance with the present invention;  
FIG. 30 is a front view of FIG. 29;  
FIG. 31 is a rear view of FIG. 29;  
FIG. 32 is a top view of FIG. 29;  
FIG. 33 is a bottom view of FIG. 29;  
FIG. 34 is a left side view of FIG. 29;  
FIG. 35 is a right side view of FIG. 29;

(Continued)

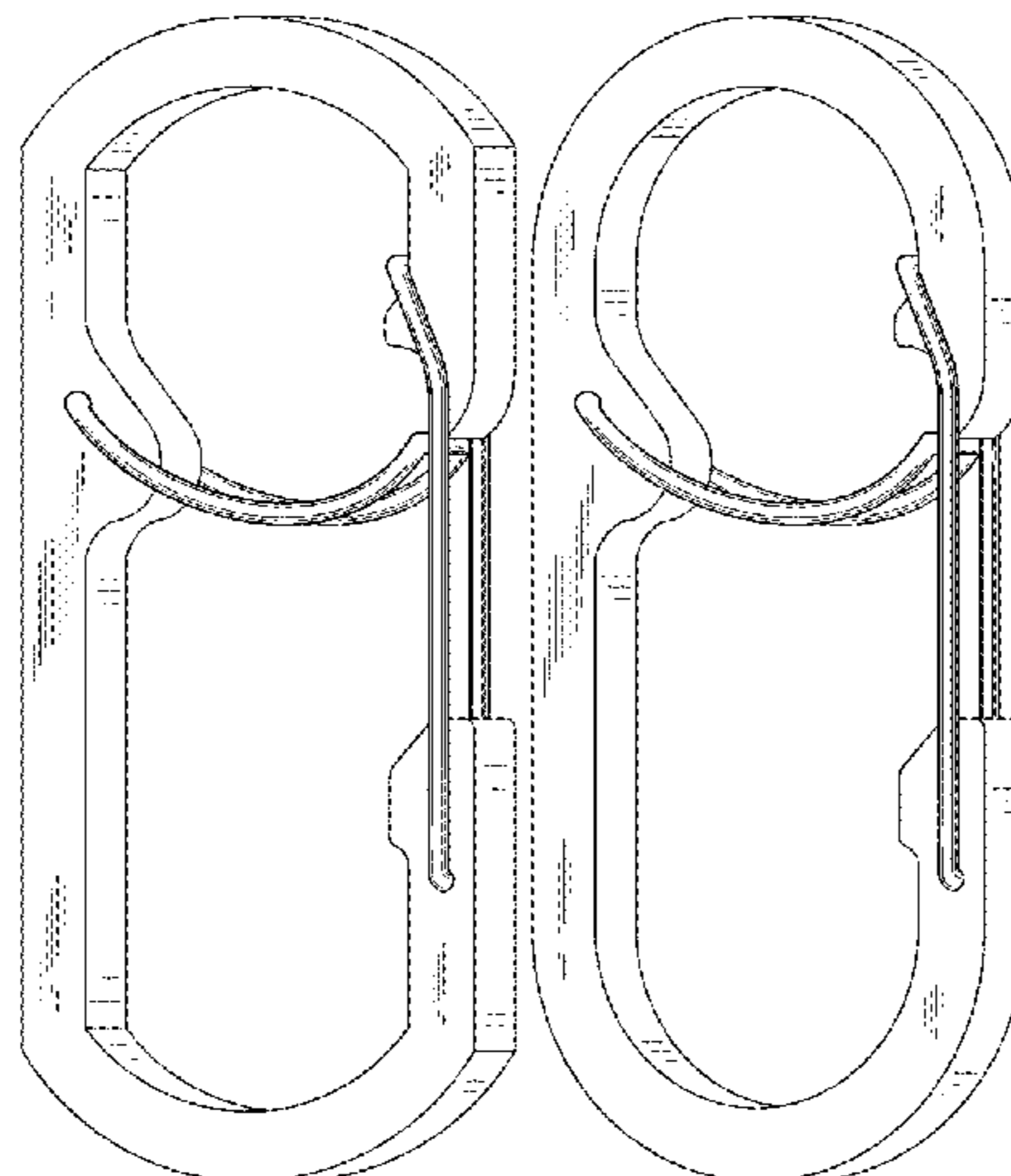


FIG. 36 is a front perspective view of a sixth embodiment of the carabiner in accordance with the present invention, with the broken lines depicting portions of the carabiner that form no part of the claim.

FIG. 37 is a front view of FIG. 36;

FIG. 38 is a rear view of FIG. 36;

FIG. 39 is a top view of FIG. 36;

FIG. 40 is a bottom view of FIG. 36;

FIG. 41 is a left side view of FIG. 36; and,

FIG. 42 is a right side view of FIG. 36.

**1 Claim, 12 Drawing Sheets**

(58) **Field of Classification Search**

CPC ..... B65H 57/16; B63B 21/045; A63B 29/08;  
A63B 27/02

See application file for complete search history.

(56) **References Cited**

U.S. PATENT DOCUMENTS

D607,712 S \* 1/2010 Kelleghan ..... D8/356  
D626,393 S \* 11/2010 Ormsbee ..... D8/34  
D637,473 S \* 5/2011 Mitchell ..... D8/336  
D646,556 S \* 10/2011 Kelleghan ..... D8/356

D669,764 S \* 10/2012 Kelleghan ..... D8/356  
D702,106 S \* 4/2014 Weinberg ..... D8/356  
D725,373 S \* 3/2015 Jiang ..... D3/207  
D729,513 S \* 5/2015 Jiang ..... D3/207  
9,255,602 B2 \* 2/2016 Liang ..... F16B 45/06  
D762,460 S \* 8/2016 Gobbi ..... D8/356  
D765,493 S \* 9/2016 Spater ..... D8/356  
D766,071 S \* 9/2016 Spater ..... D8/356  
D767,975 S \* 10/2016 Jiang ..... D8/356  
9,521,939 B2 \* 12/2016 Haarbuerger ..... A47L 13/11  
D775,513 S \* 1/2017 Kelleghan ..... D8/356  
D784,798 S \* 4/2017 Logsdon ..... D8/394  
D785,316 S \* 5/2017 Grossman ..... D3/208  
D785,317 S \* 5/2017 Grossman ..... D3/208  
9,797,432 B2 \* 10/2017 Inkavesvaanit ..... F16B 45/02  
D811,838 S \* 3/2018 Enrico ..... D8/34  
D821,090 S \* 6/2018 Case ..... D3/207  
D821,854 S \* 7/2018 Berman ..... D8/356  
D854,916 S \* 7/2019 Derr ..... D8/356  
D858,088 S \* 9/2019 Osmanski ..... D3/207  
D861,327 S \* 10/2019 Osmanski ..... D3/207  
10,499,712 B2 \* 12/2019 Cowdery ..... A44B 19/30  
10,514,057 B2 \* 12/2019 Cardella ..... E05B 17/0045  
10,624,426 B2 \* 4/2020 Adelman ..... F16B 2/22  
D934,662 S \* 11/2021 Adelman ..... D8/356  
D934,663 S \* 11/2021 Adelman ..... D8/356  
2009/0000086 A1 \* 1/2009 Bing ..... F16B 45/06  
24/592.11  
2016/0153487 A1 \* 6/2016 Hollinger ..... F16B 45/02  
24/376

\* cited by examiner

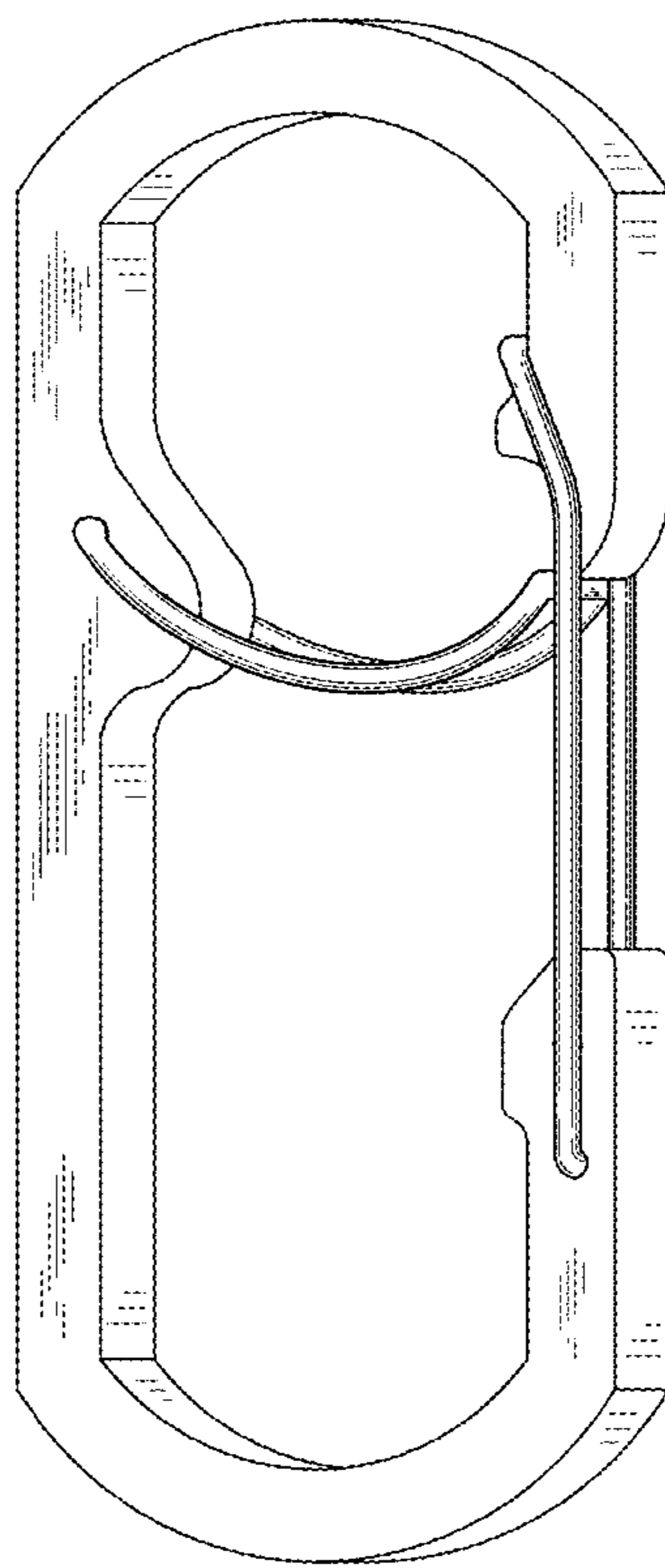


FIG. 1

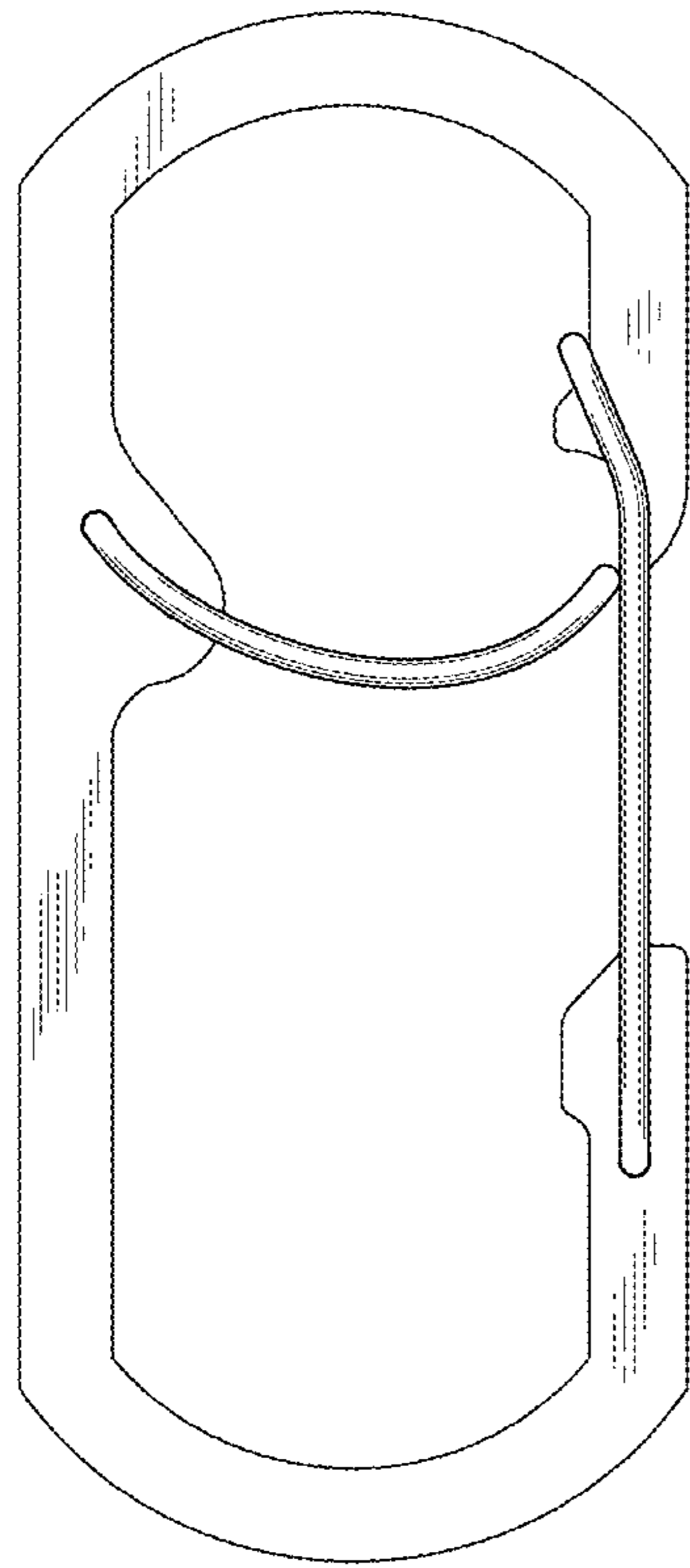


FIG. 2

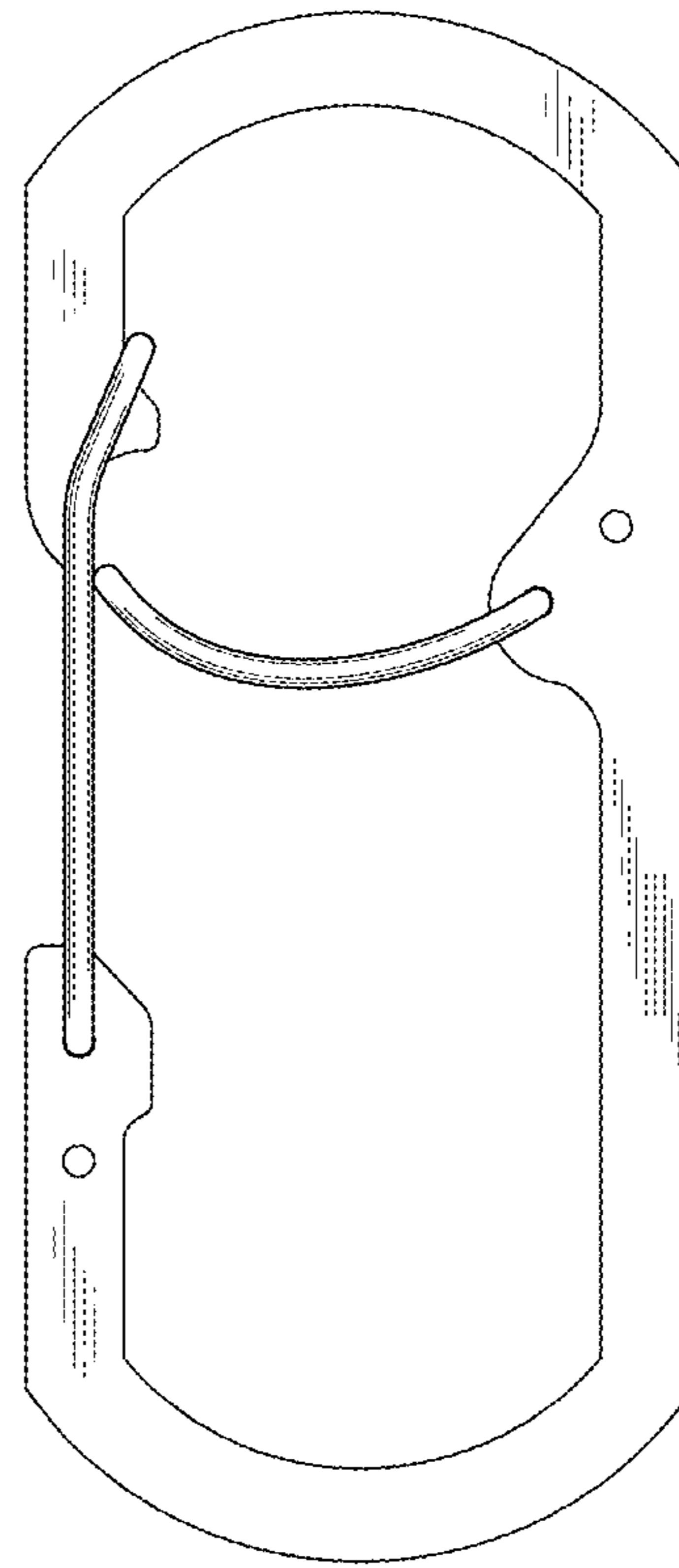


FIG. 3

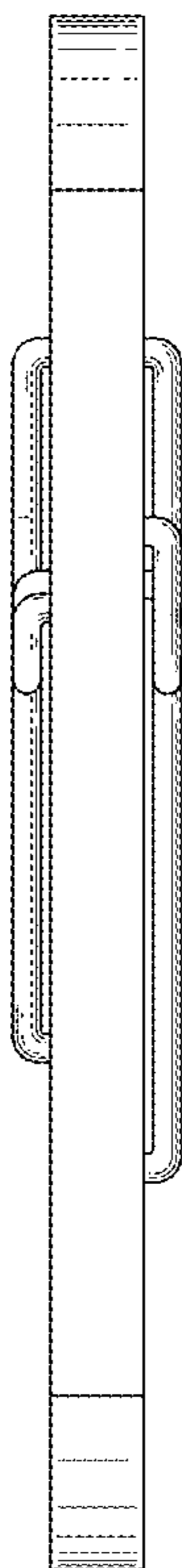


FIG. 6

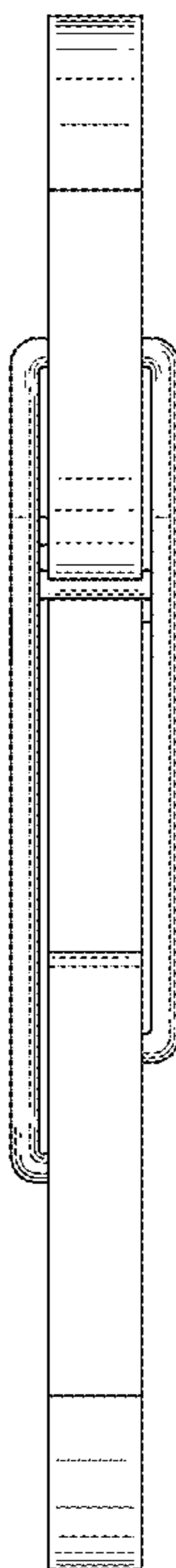


FIG. 7

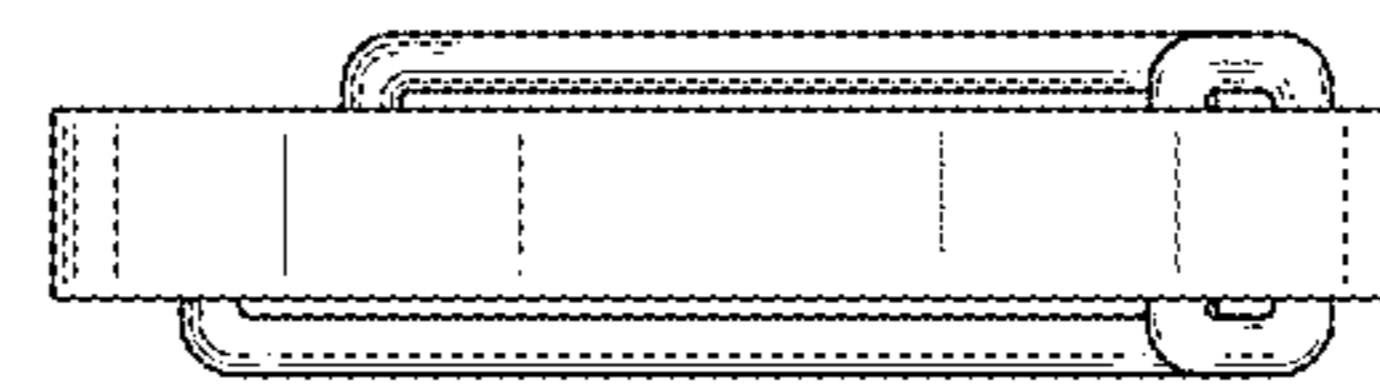


FIG. 4

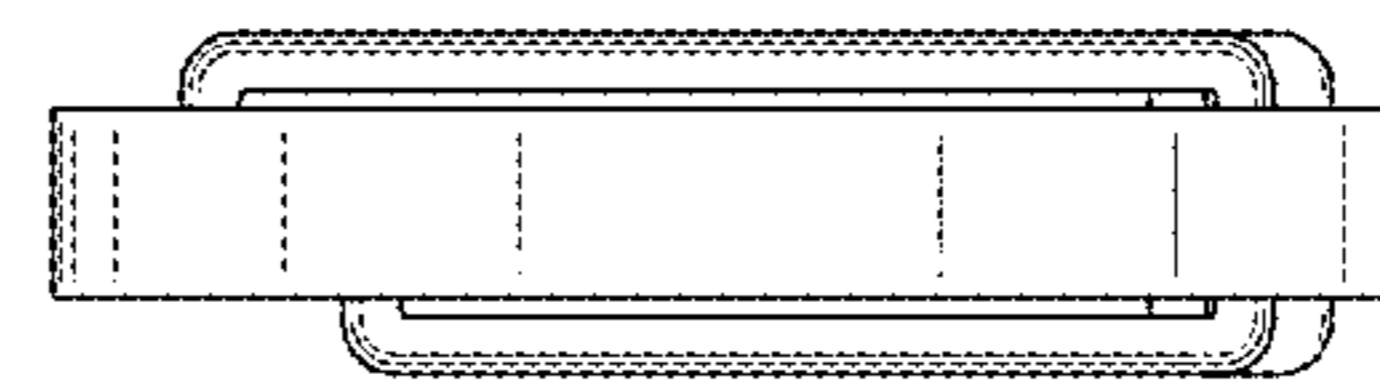


FIG. 5

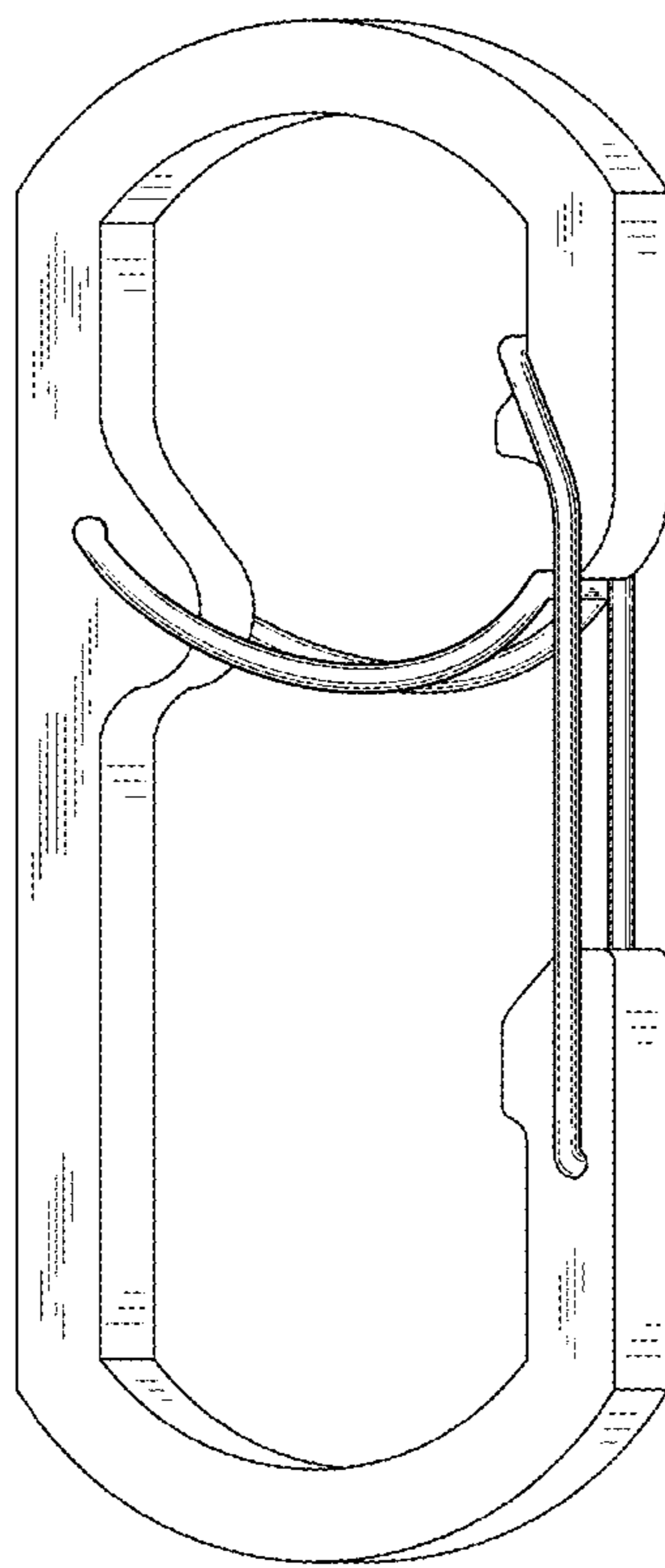


FIG. 8

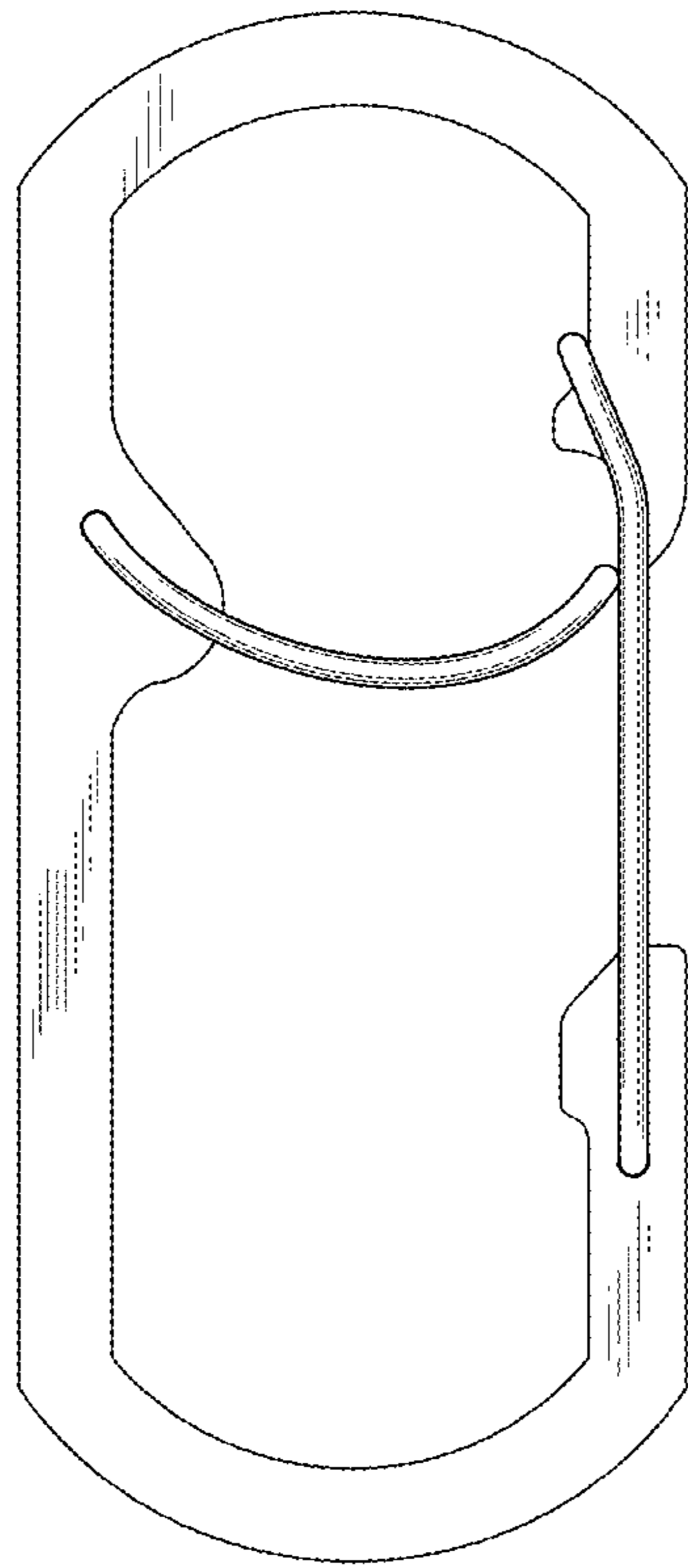


FIG. 9

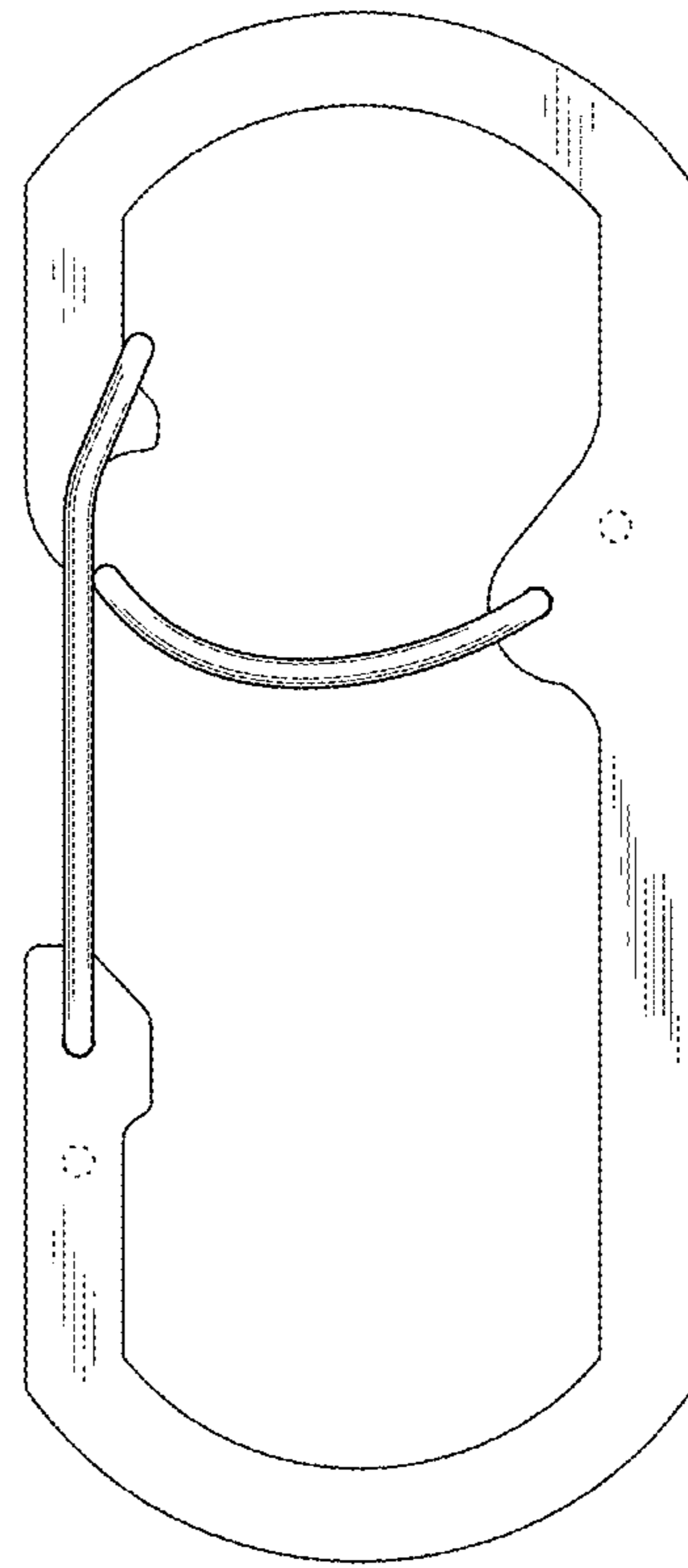


FIG. 10

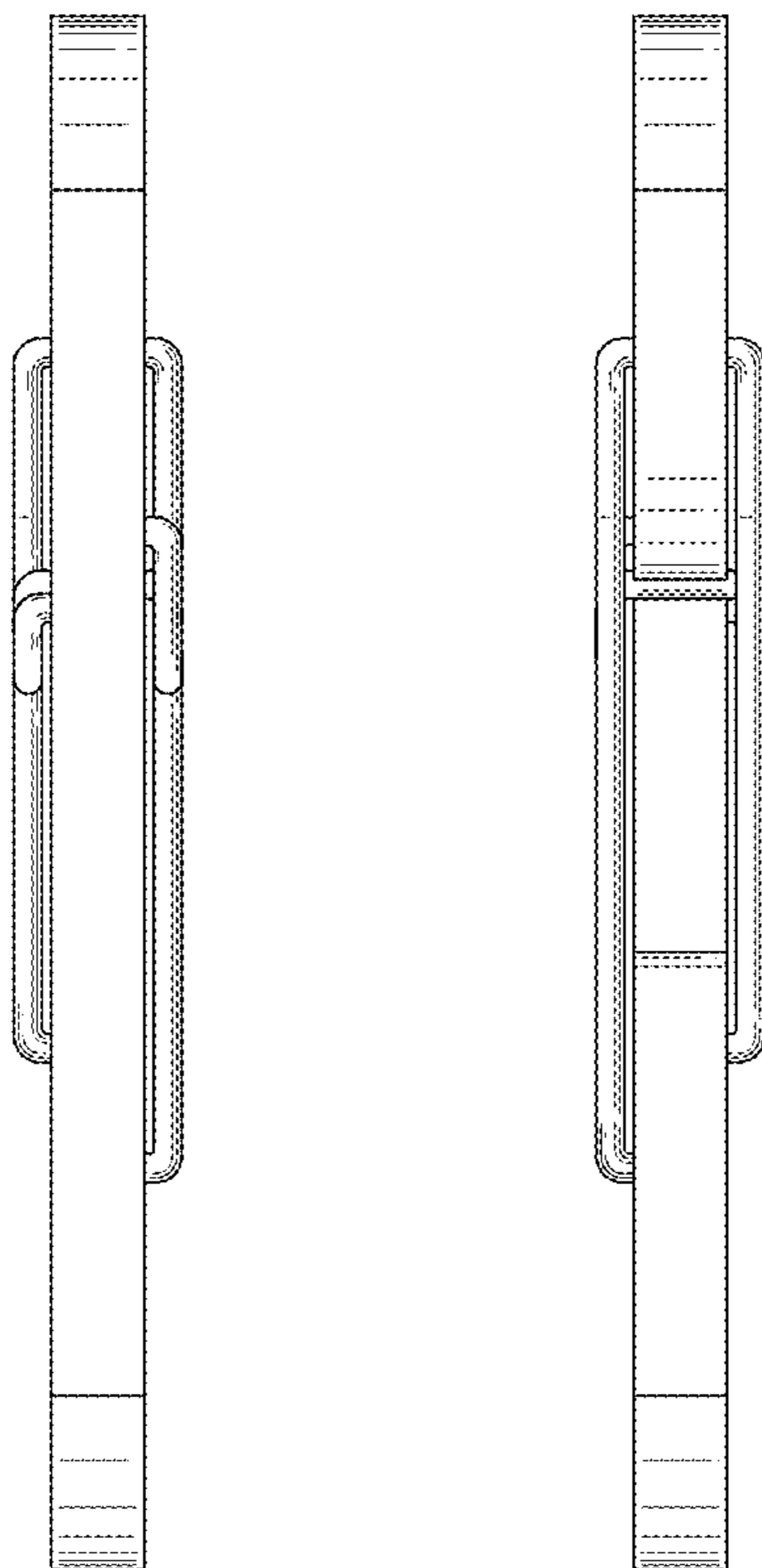


FIG. 13

FIG. 14

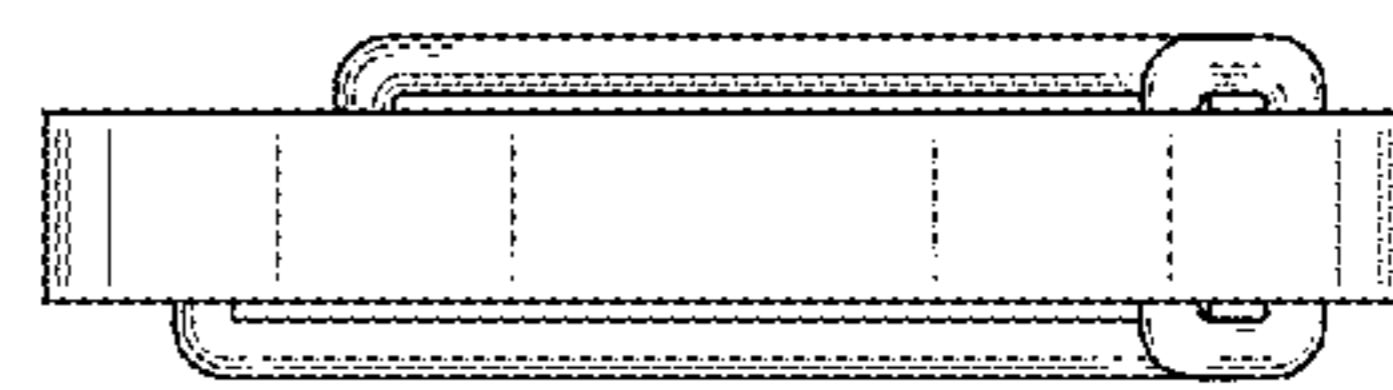


FIG. 11

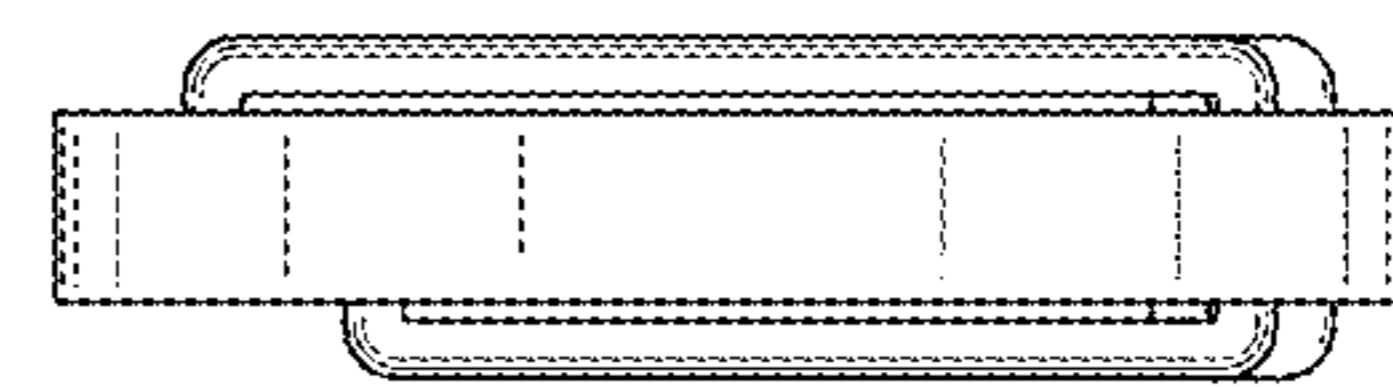


FIG. 12

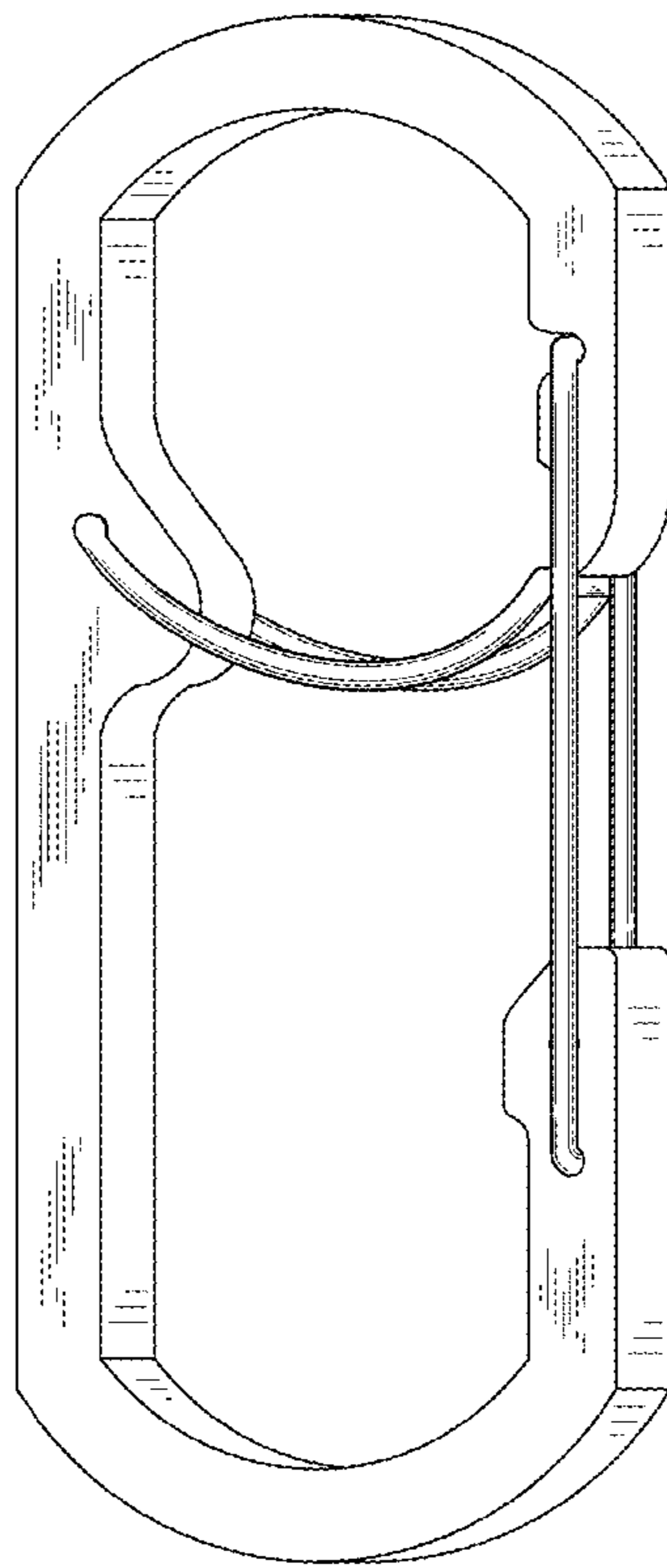


FIG. 15

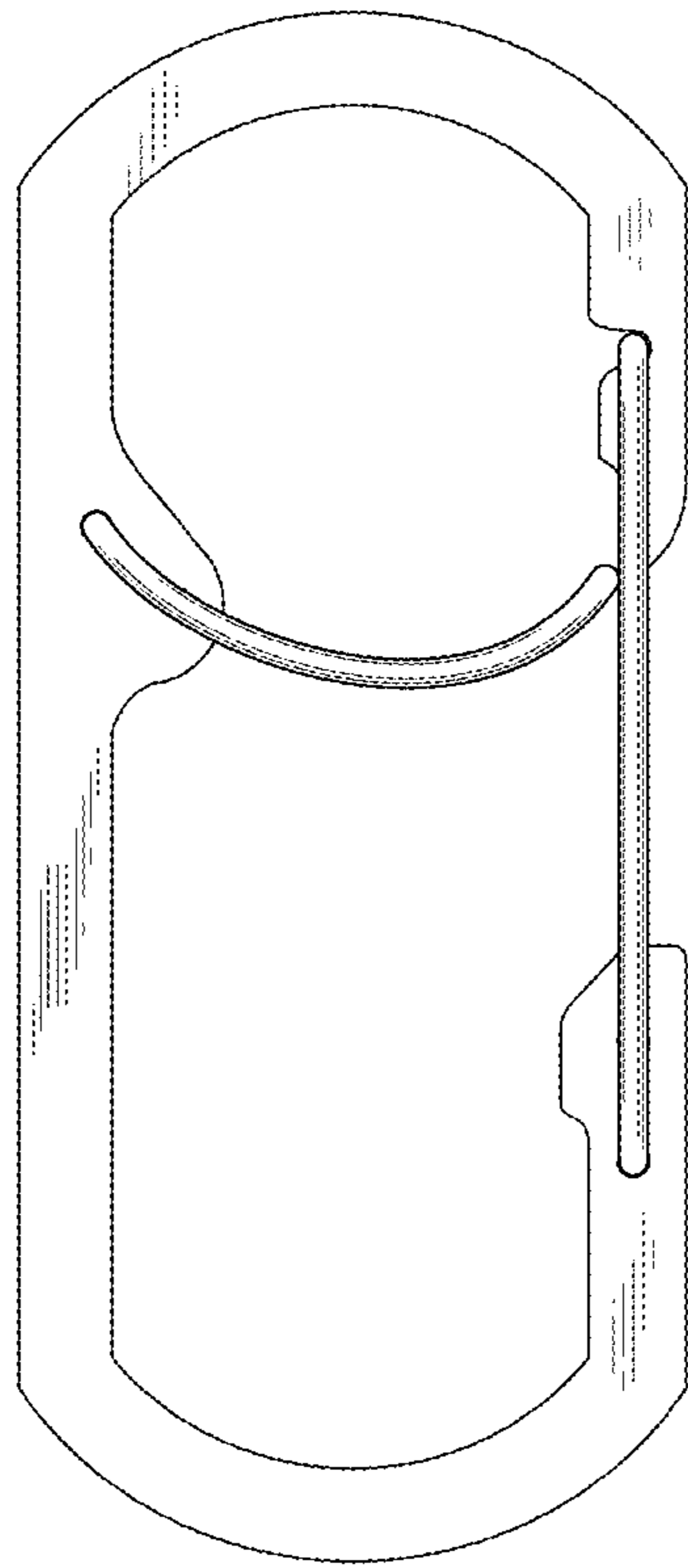


FIG. 16

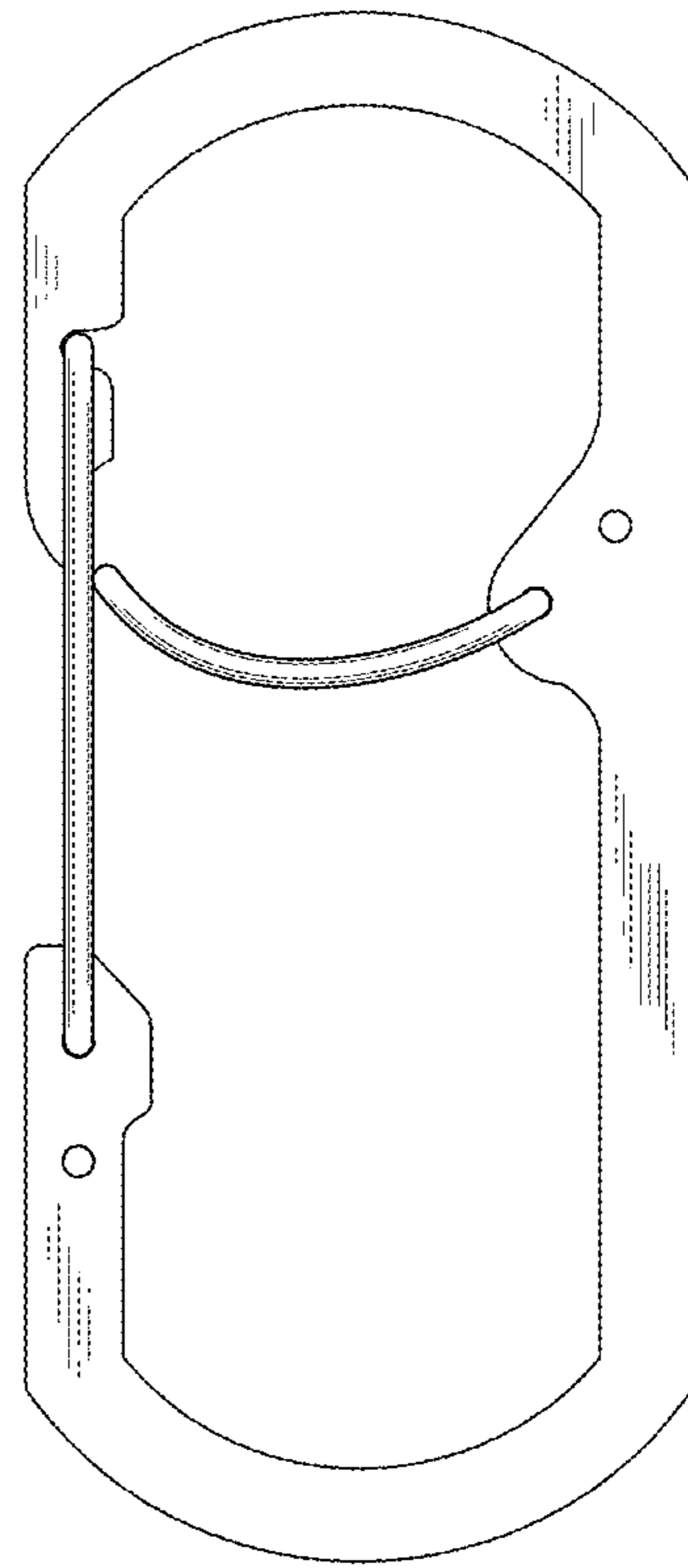


FIG. 17

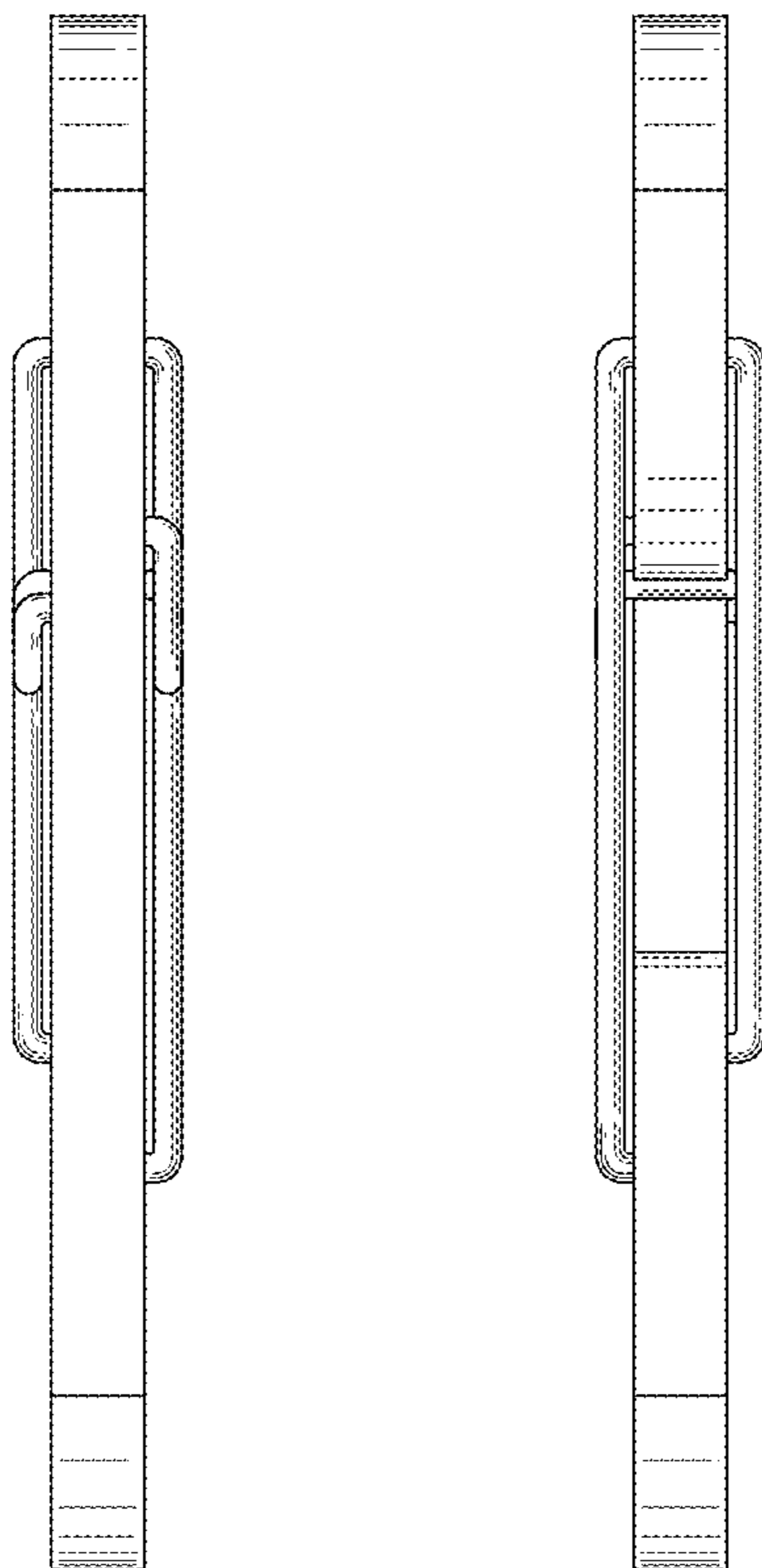


FIG. 20

FIG. 21

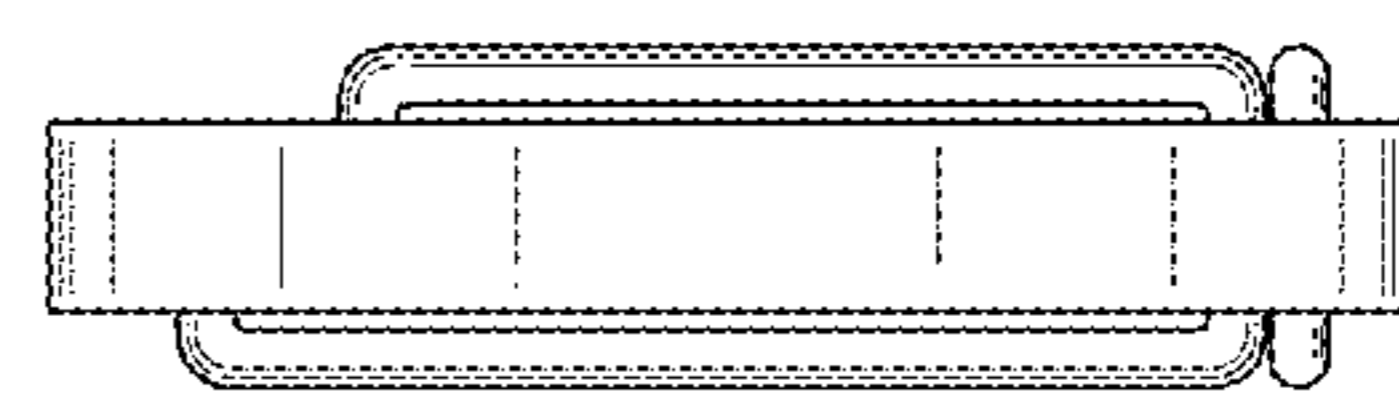


FIG. 18

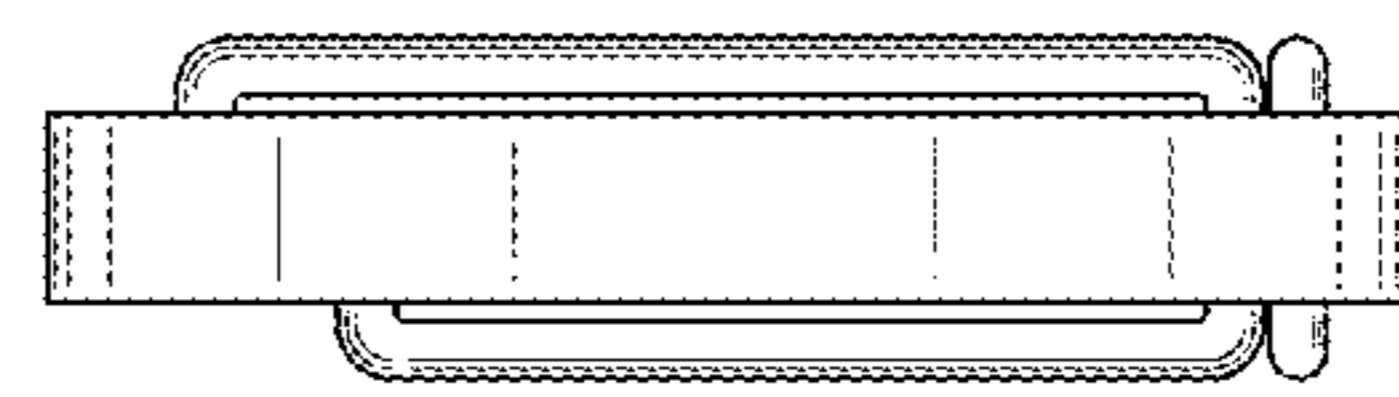


FIG. 19



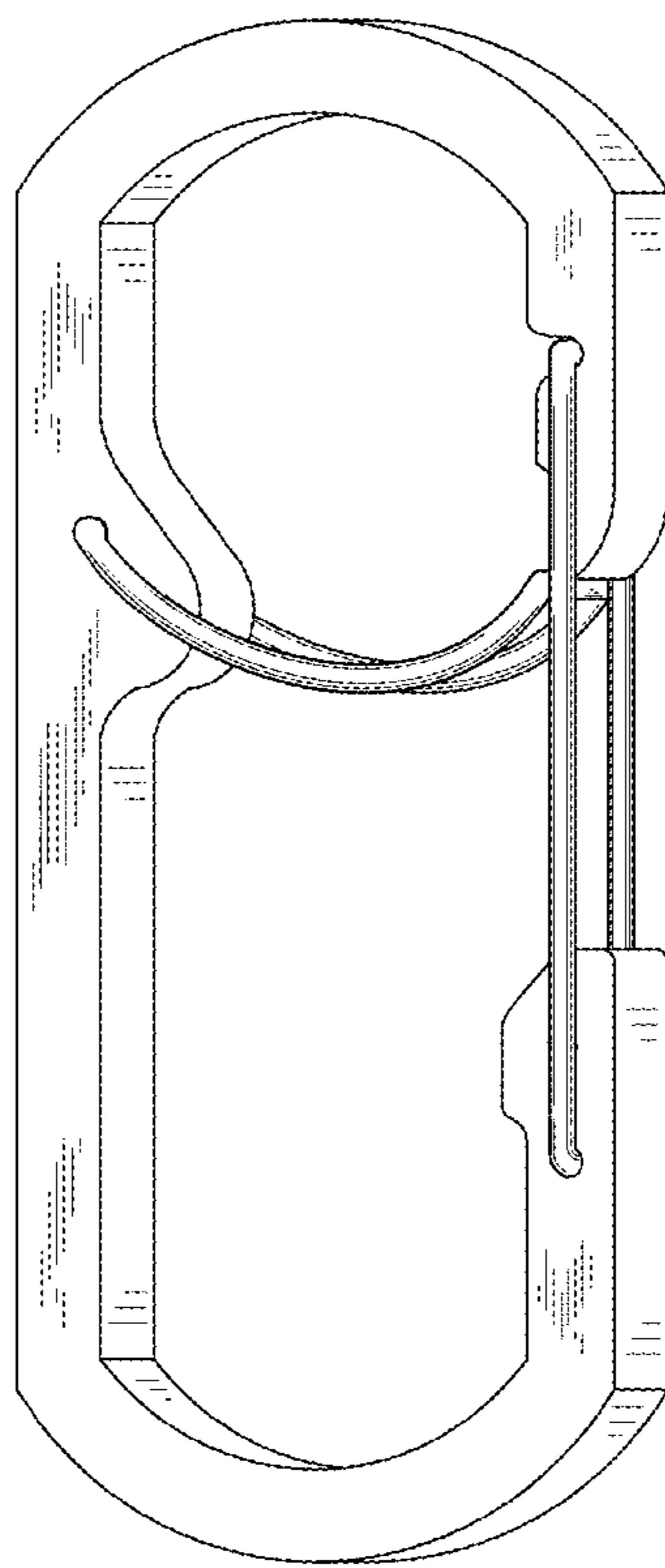


FIG. 22

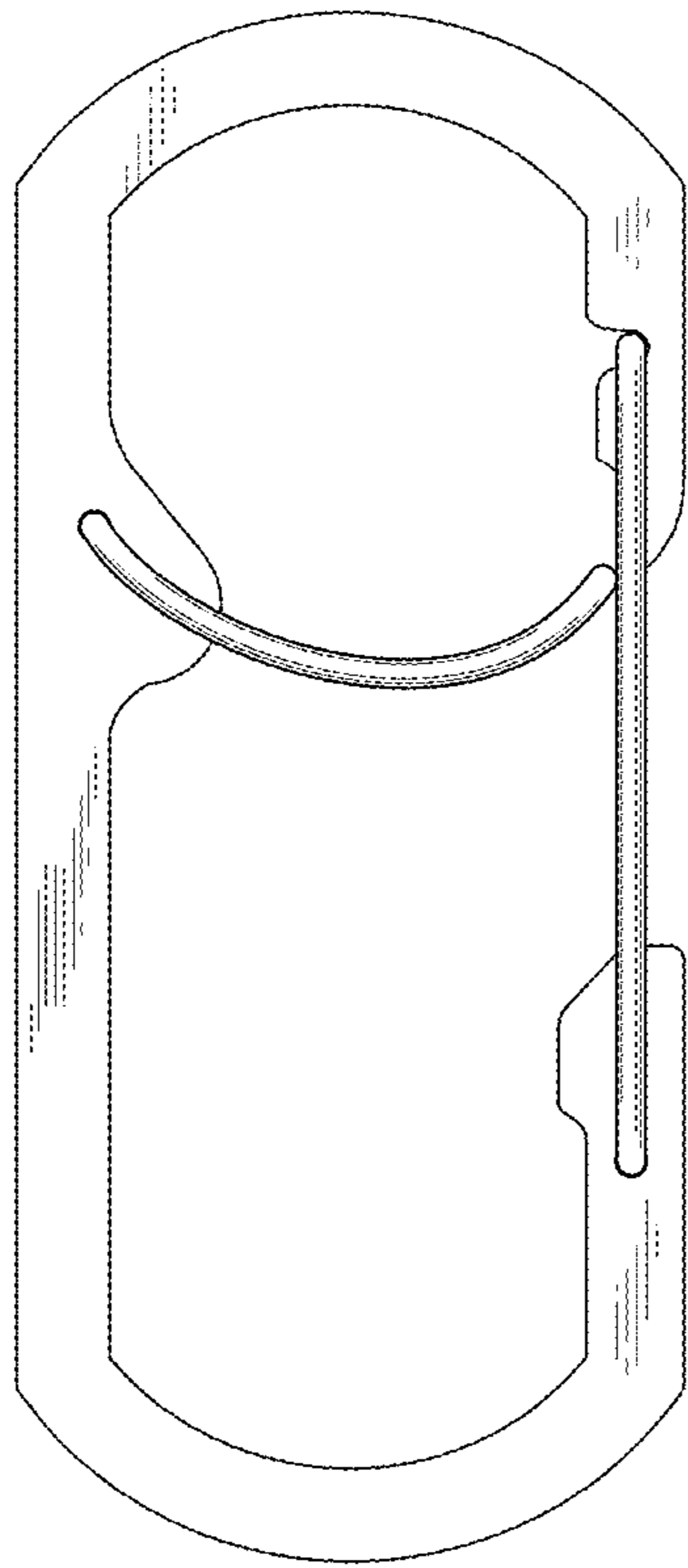


FIG. 23

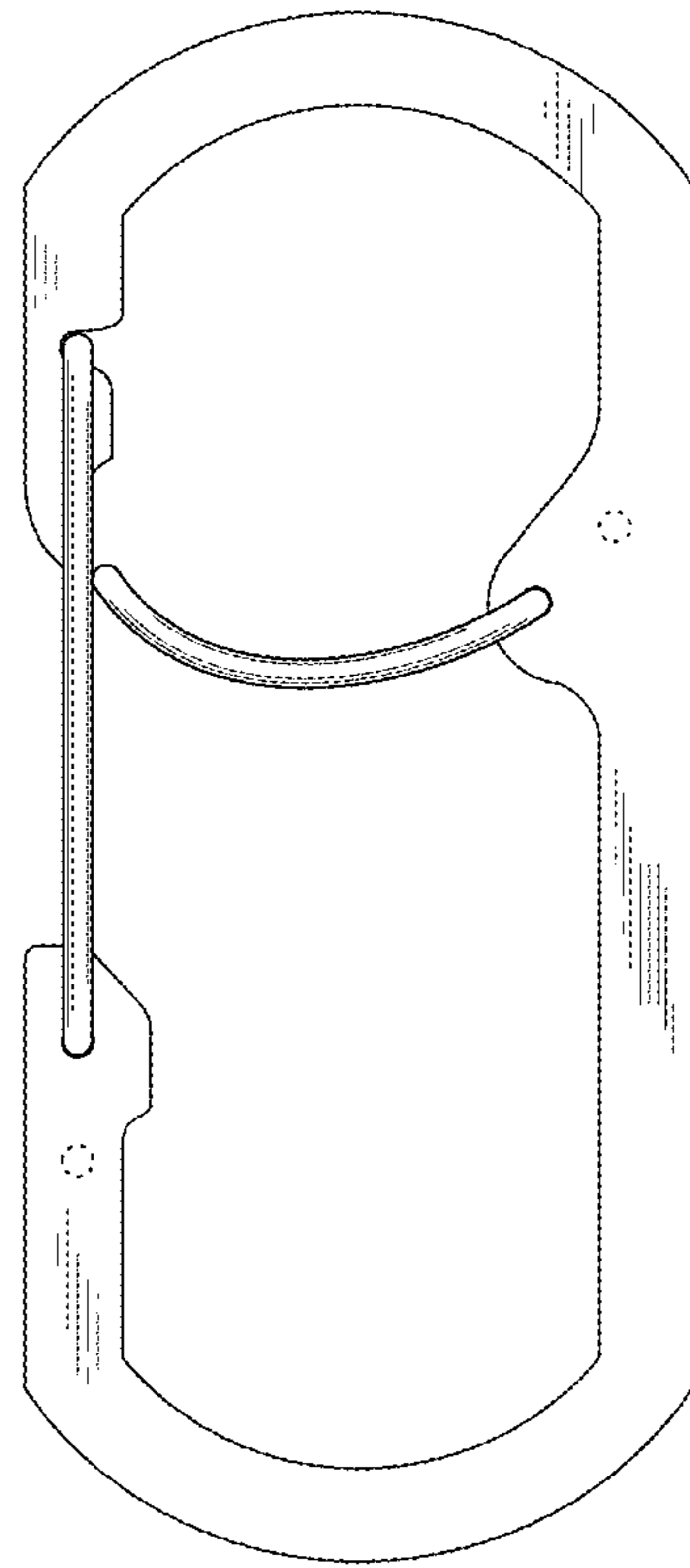


FIG. 24

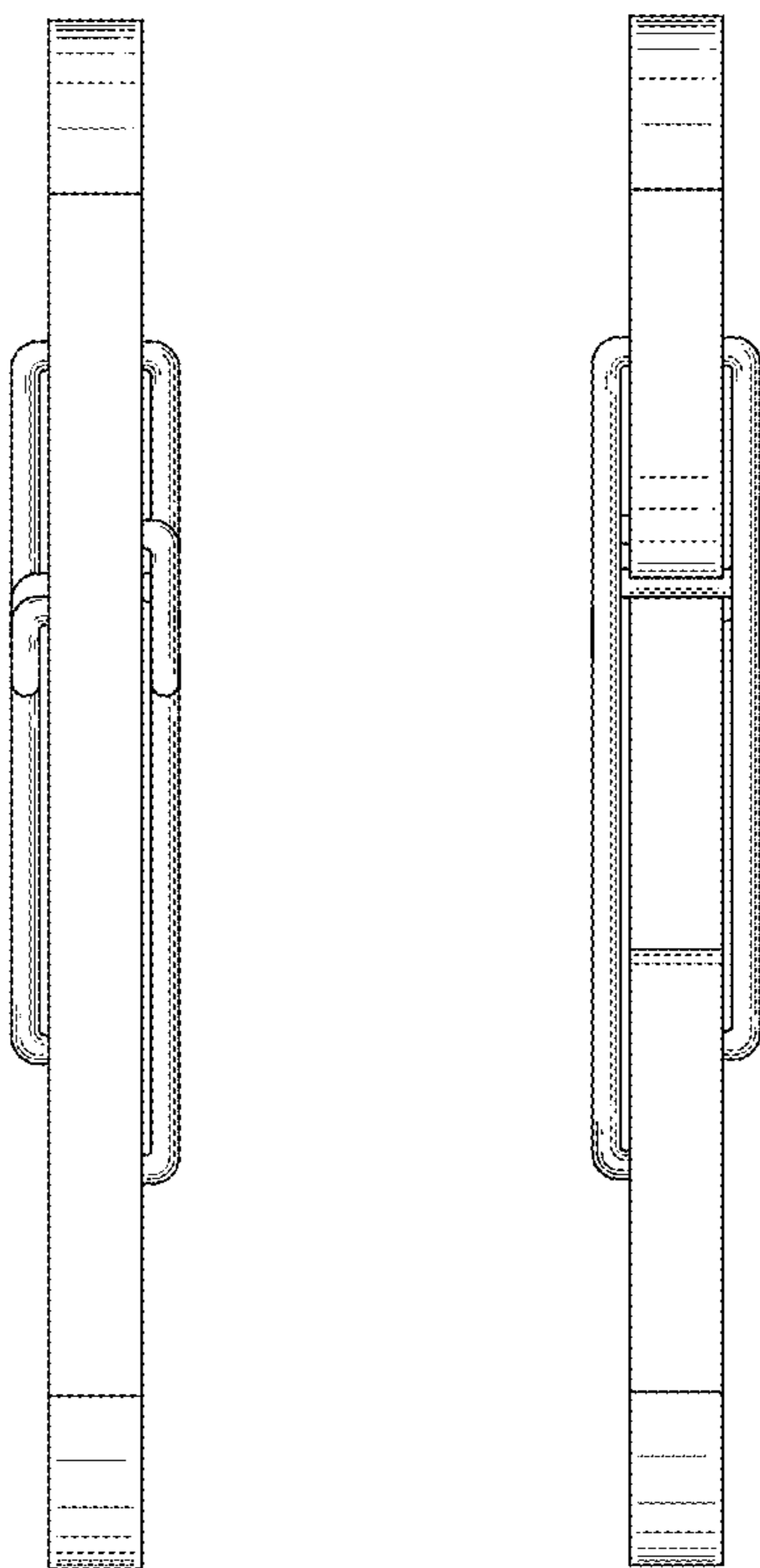


FIG. 27    FIG. 28

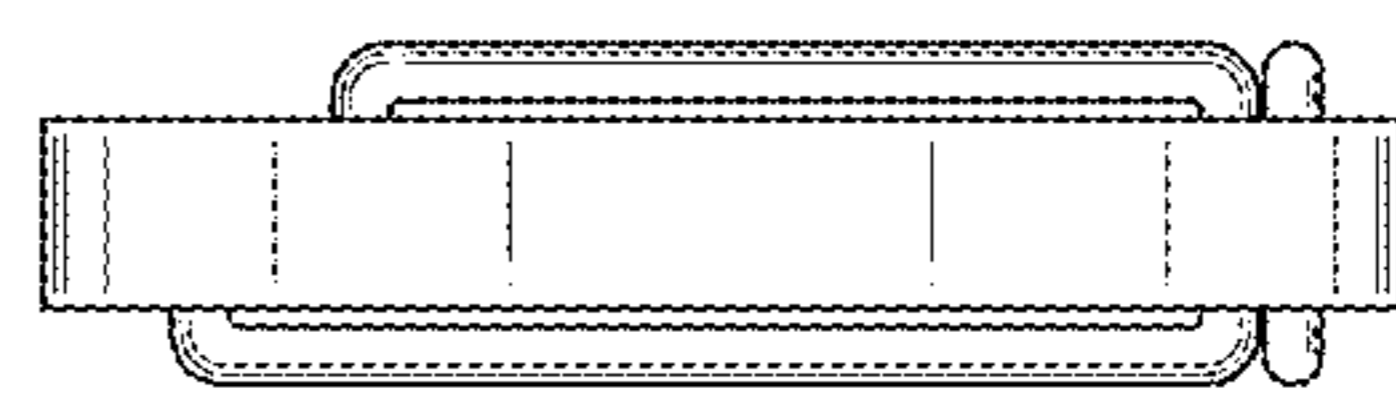


FIG. 25

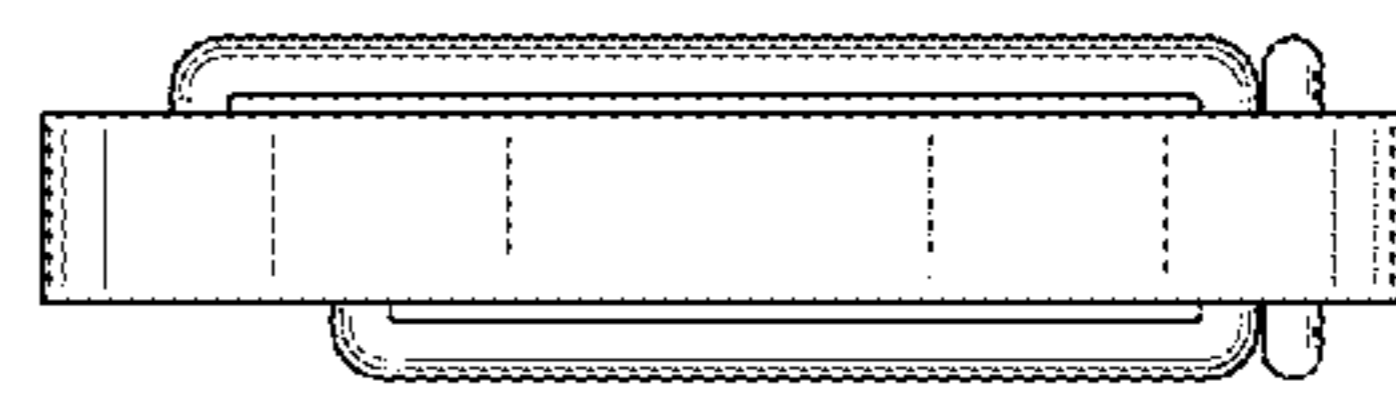


FIG. 26

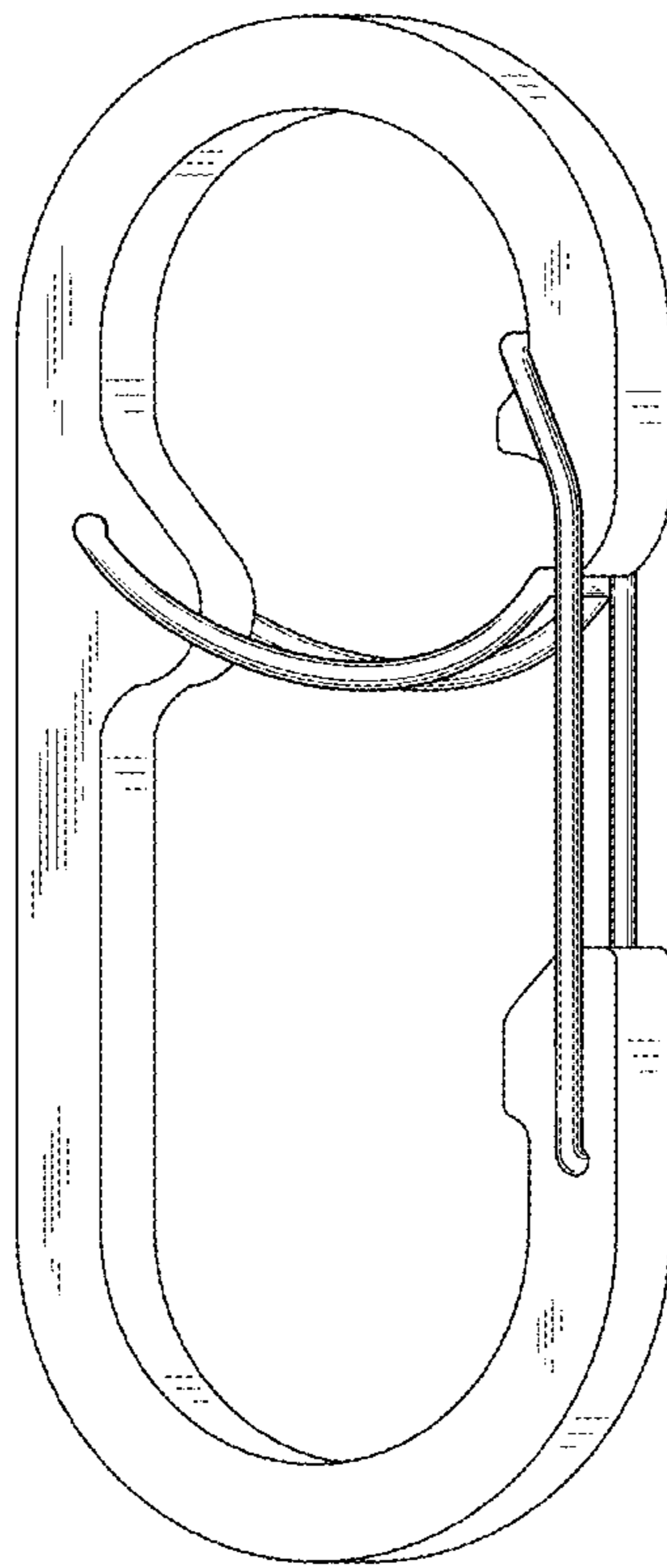


FIG. 29

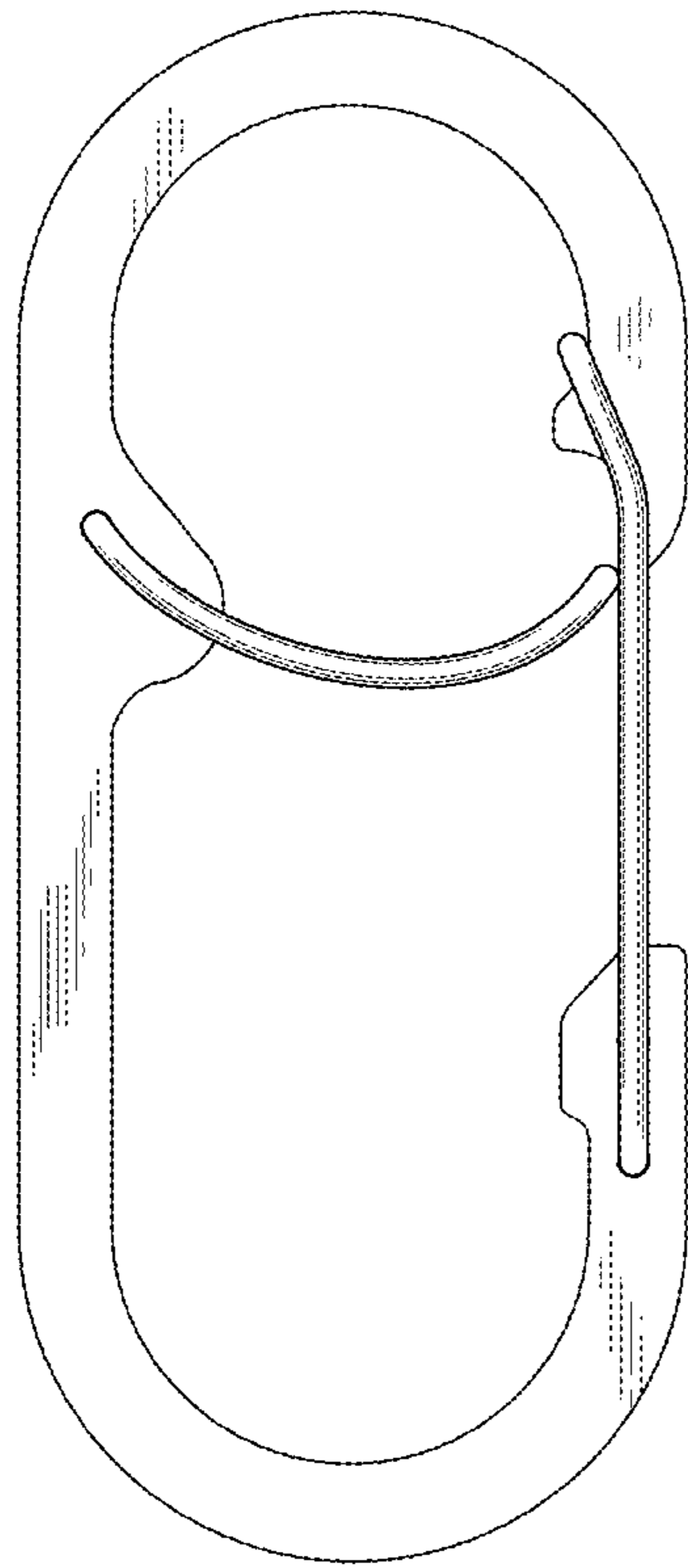


FIG. 30

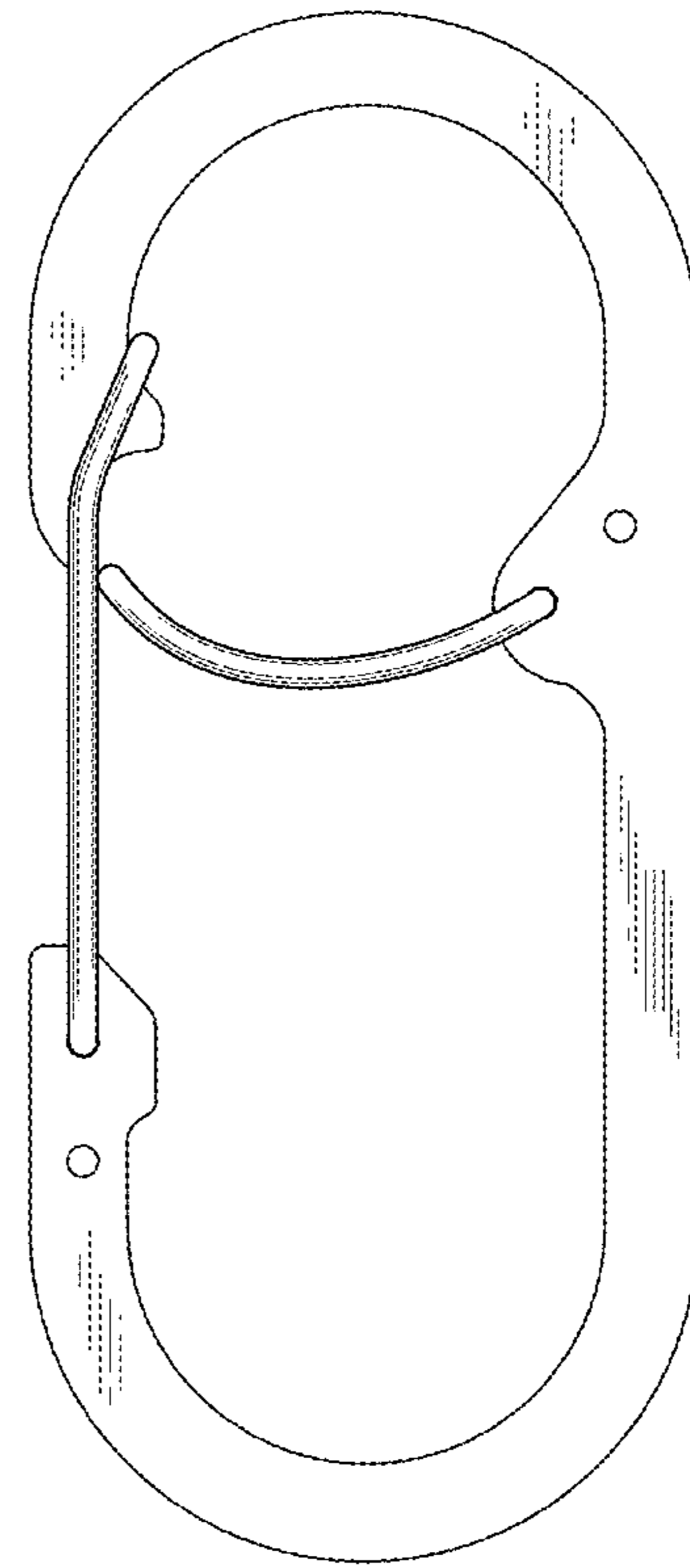


FIG. 31

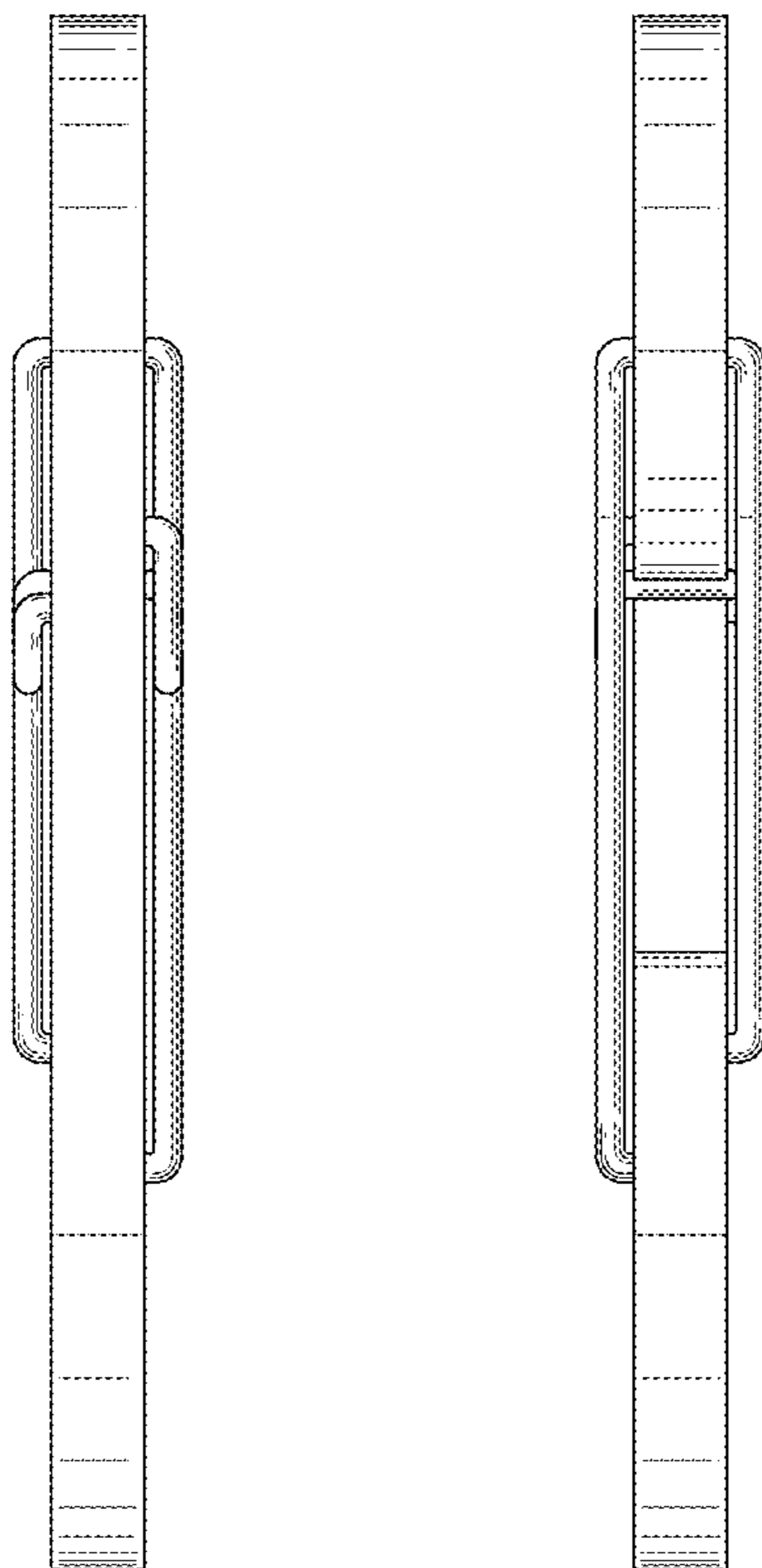


FIG. 34

FIG. 35

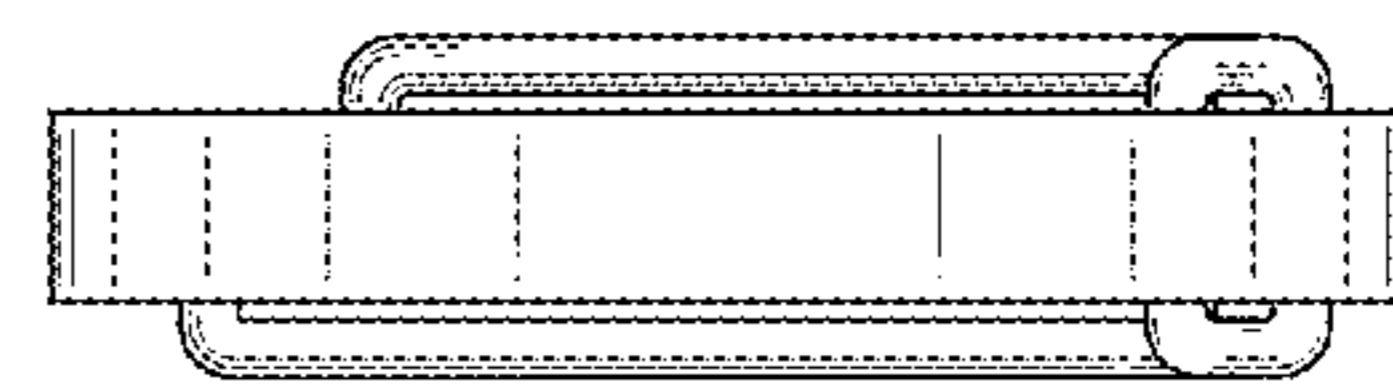


FIG. 32

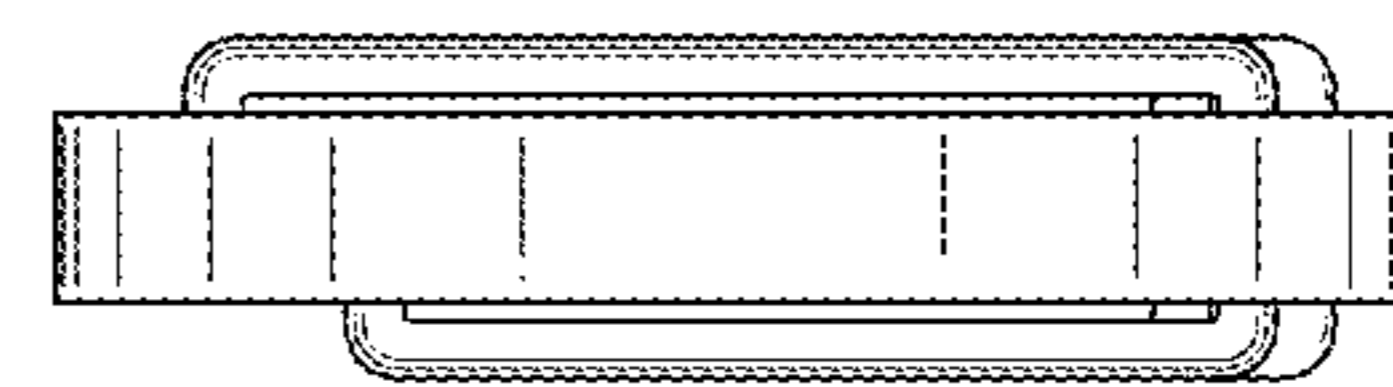


FIG. 33

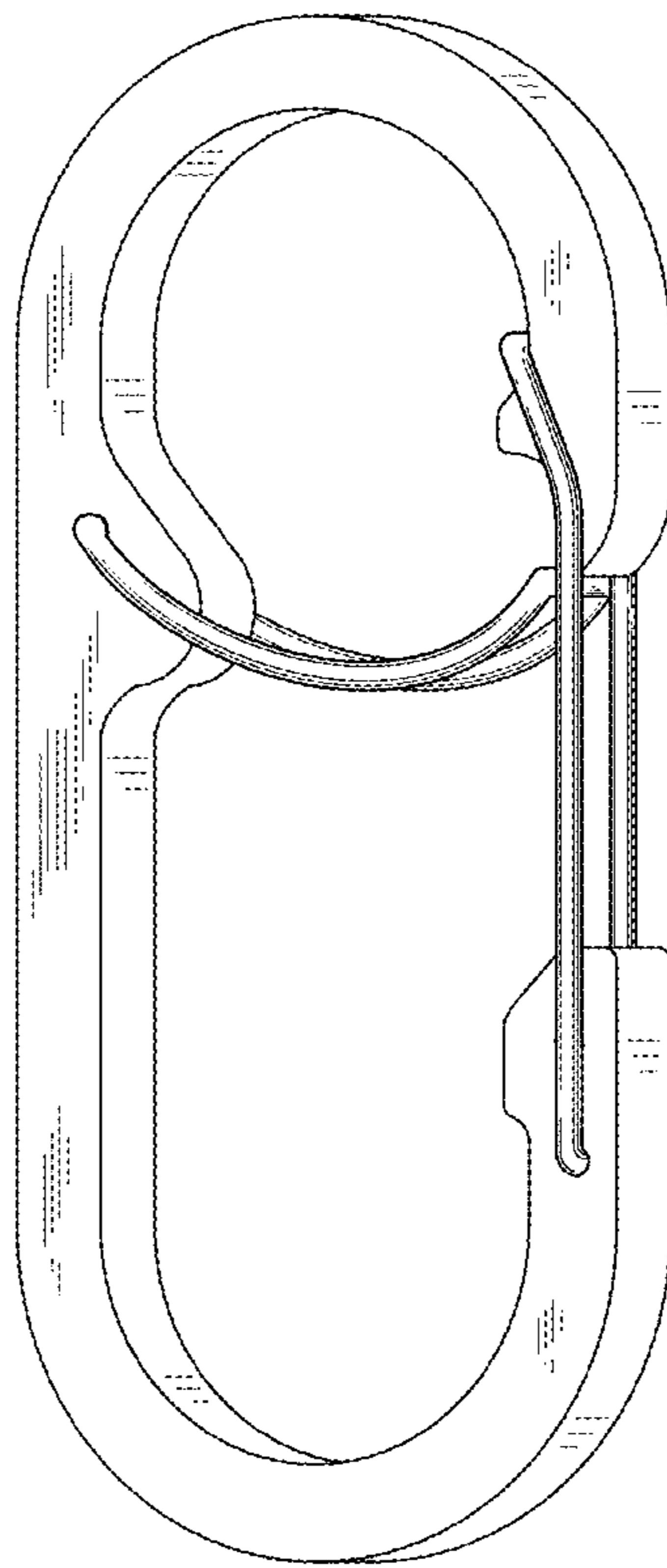


FIG. 36

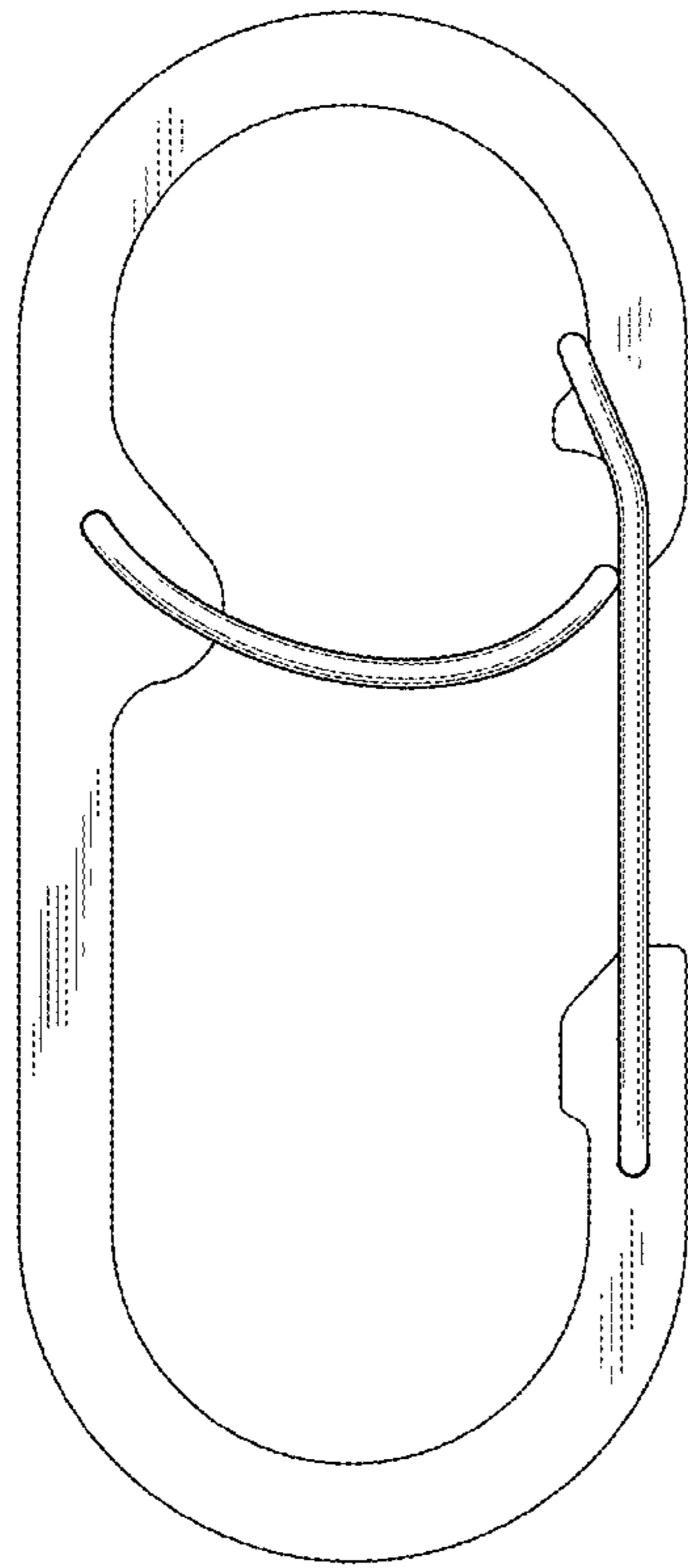


FIG. 37

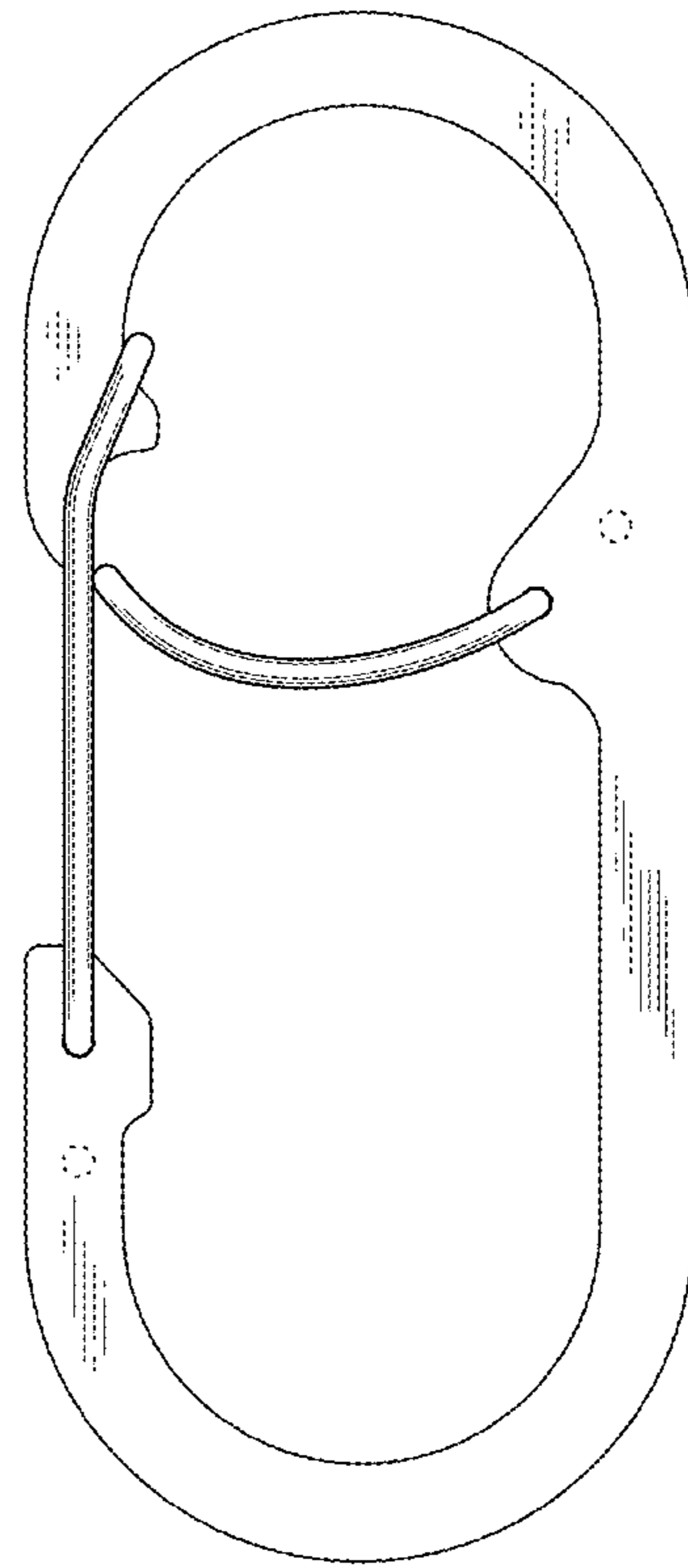


FIG. 38

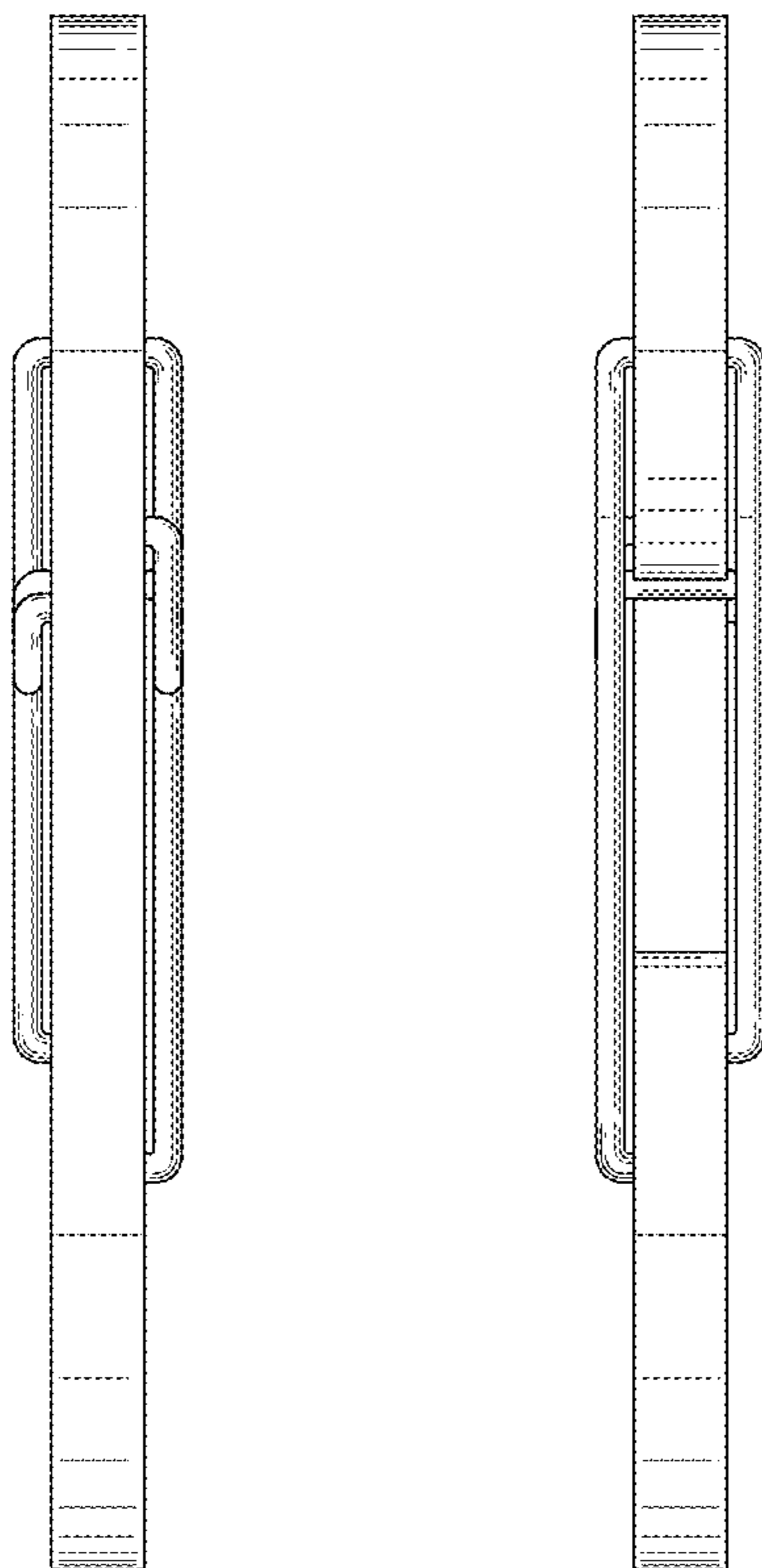


FIG. 41    FIG. 42

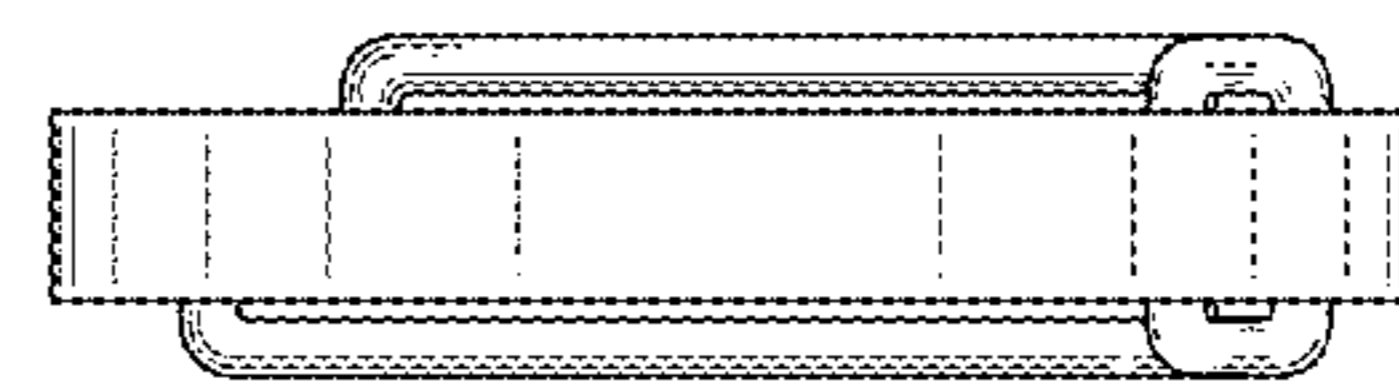


FIG. 39

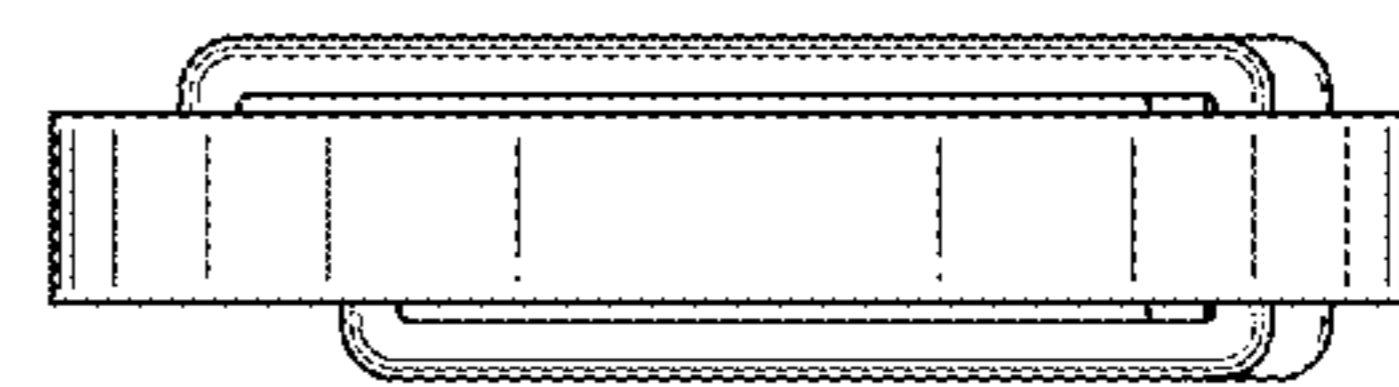


FIG. 40