



US00D954539S

(12) **United States Design Patent**
Grossman

(10) **Patent No.:** **US D954,539 S**
(45) **Date of Patent:** **** Jun. 14, 2022**

(54) **CARABINER**

(71) Applicant: **Peter Grossman**, Castle Hill (AU)

(72) Inventor: **Peter Grossman**, Castle Hill (AU)

(**) Term: **15 Years**

(21) Appl. No.: **29/812,700**

(22) Filed: **Oct. 24, 2021**

Related U.S. Application Data

(62) Division of application No. 29/723,626, filed on Feb. 9, 2020, now Pat. No. Des. 942,838.

(51) **LOC (13) Cl.** **09-06**

(52) **U.S. Cl.**
USPC **D8/356**

(58) **Field of Classification Search**
USPC D8/356, 354, 105, 349, 367; D3/207;
24/376

(Continued)

(56) **References Cited**

U.S. PATENT DOCUMENTS

582,780 A * 5/1897 Eldridge F16B 45/02
24/582.11
D577,574 S * 9/2008 Liang D8/356
(Continued)

Primary Examiner — Cynthia R Underwood

(57) **CLAIM**

The ornamental design of a carabiner, as shown and described.

DESCRIPTION

FIG. 1 is a front perspective view of a carabiner in accordance with the present invention, with the portions shown in broken lines included for illustrative purposes only and forming no part of the claimed design;
FIG. 2 is a front view thereof;

FIG. 3 is a rear view thereof;
FIG. 4 is a top view thereof;
FIG. 5 is a bottom view thereof;
FIG. 6 is a left side view thereof;
FIG. 7 is a right side view thereof;
FIG. 8 is a front perspective view of a second embodiment of the carabiner in accordance with the present invention, with the broken lines depicting portions of the carabiner that form no part of the claim;
FIG. 9 is a front view of FIG. 8;
FIG. 10 is a rear view of FIG. 8;
FIG. 11 is a top view of FIG. 8;
FIG. 12 is a bottom view of FIG. 8;
FIG. 13 is a left side view of FIG. 8;
FIG. 14 is a right side view of FIG. 8;
FIG. 15 is a front perspective view of a third embodiment of the carabiner in accordance with the present invention, with the broken lines depicting portions of the carabiner that form no part of the claim;
FIG. 16 is a front view of FIG. 15;
FIG. 17 is a rear view of FIG. 15;
FIG. 18 is a top view of FIG. 15;
FIG. 19 is a bottom view of FIG. 15;
FIG. 20 is a left side view of FIG. 15;
FIG. 21 is a right side view of FIG. 15;
FIG. 22 is a front perspective view of a fourth embodiment of the carabiner in accordance with the present invention, with the broken lines depicting portions of the carabiner that form no part of the claim;
FIG. 23 is a front view of FIG. 22;
FIG. 24 is a rear view of FIG. 22;
FIG. 25 is a top view of FIG. 22;
FIG. 26 is a bottom view of FIG. 22;
FIG. 27 is a left side view of FIG. 22;
FIG. 28 is a right side view of FIG. 22;
FIG. 29 is a front perspective view of a fifth embodiment of the carabiner in accordance with the present invention, with the broken lines depicting portions of the carabiner that form no part of the claim;
FIG. 30 is a front view of FIG. 29;
FIG. 31 is a rear view of FIG. 29;
FIG. 32 is a top view of FIG. 29;
FIG. 33 is a bottom view of FIG. 29;
FIG. 34 is a left side view of FIG. 29;

(Continued)

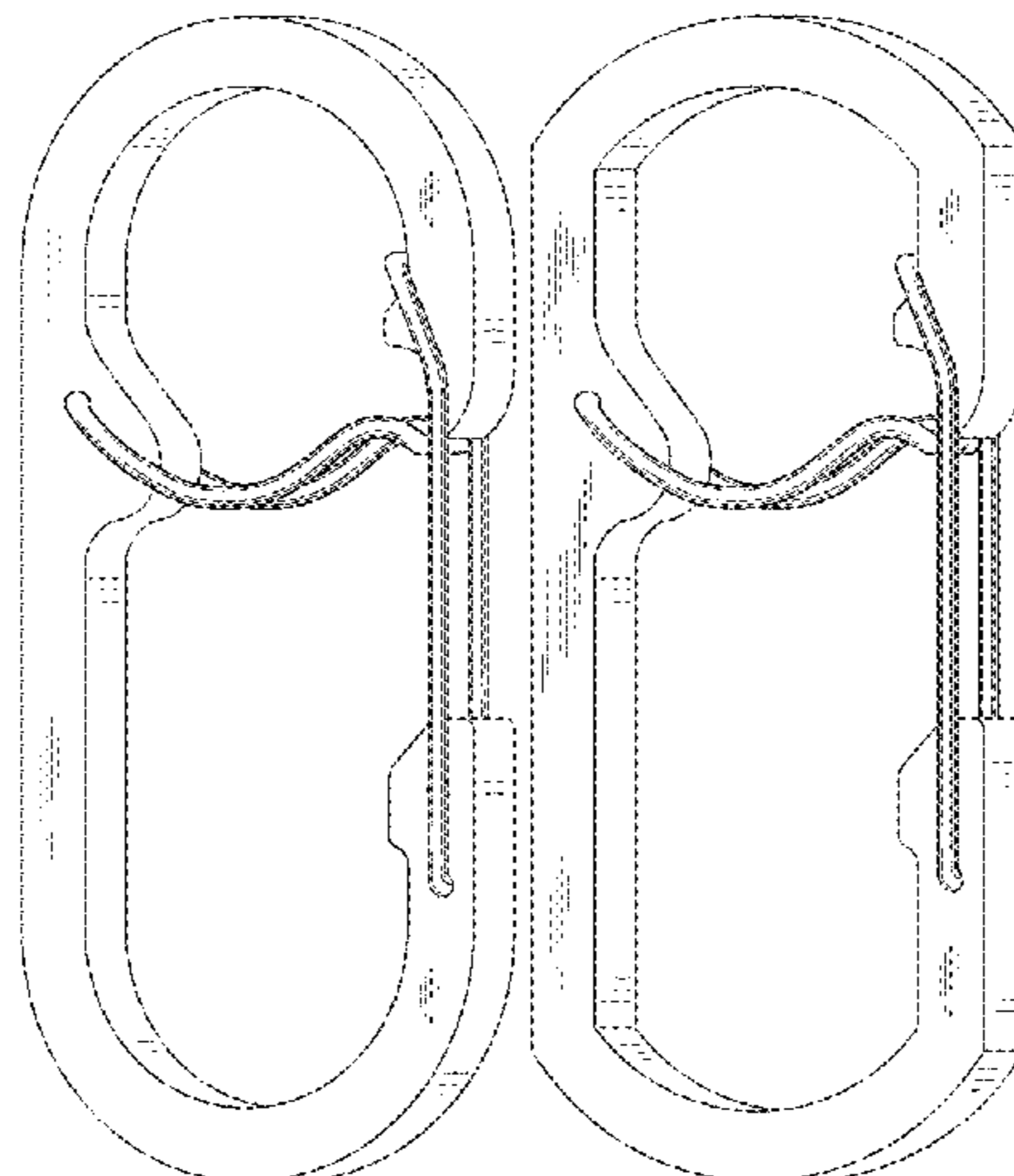


FIG. 35 is a right side view of FIG. 29;
 FIG. 36 is a front perspective view of a sixth embodiment of the carabiner in accordance with the present invention, with the broken lines depicting portions of the carabiner that form no part of the claim.
 FIG. 37 is a front view of FIG. 36;
 FIG. 38 is a rear view of FIG. 36;
 FIG. 39 is a top view of FIG. 36;
 FIG. 40 is a bottom view of FIG. 36;
 FIG. 41 is a left side view of FIG. 36; and,
 FIG. 42 is a right side view of FIG. 36.

1 Claim, 12 Drawing Sheets

(58) **Field of Classification Search**

CPC B65H 57/16; B63B 21/045; A63B 29/08;
 A63B 27/02

See application file for complete search history.

(56) **References Cited**

U.S. PATENT DOCUMENTS

D607,712 S * 1/2010 Kelleghan D8/356
 D626,393 S * 11/2010 Ormsbee D8/34
 D637,473 S * 5/2011 Mitchell D8/336
 D646,556 S * 10/2011 Kelleghan D8/356

D669,764 S * 10/2012 Kelleghan D8/356
 D702,106 S * 4/2014 Weinberg D8/356
 D725,373 S * 3/2015 Jiang D3/207
 D729,513 S * 5/2015 Jiang D3/207
 9,255,602 B2 * 2/2016 Liang F16B 45/06
 D762,460 S * 8/2016 Gobbi D8/356
 D765,493 S * 9/2016 Spater D8/356
 D766,071 S * 9/2016 Spater D8/356
 D767,975 S * 10/2016 Jiang D8/356
 9,521,939 B2 * 12/2016 Haarbuerger A47L 13/11
 D775,513 S * 1/2017 Kelleghan D8/356
 D784,798 S * 4/2017 Logsdon D8/394
 D785,316 S * 5/2017 Grossman D3/208
 D785,317 S * 5/2017 Grossman D3/208
 9,797,432 B2 * 10/2017 Inkavesvaanit F16B 45/02
 D811,838 S * 3/2018 Enrico D8/34
 D821,090 S * 6/2018 Case D3/207
 D821,854 S * 7/2018 Berman D8/356
 D854,916 S * 7/2019 Derr D8/356
 D858,088 S * 9/2019 Osmanski D3/207
 D861,327 S * 10/2019 Osmanski D3/207
 10,499,712 B2 * 12/2019 Cowdery A44B 19/30
 10,514,057 B2 * 12/2019 Cardella E05B 17/0045
 10,624,426 B2 * 4/2020 Adelman F16B 2/22
 D934,662 S * 11/2021 Adelman D8/356
 D934,663 S * 11/2021 Adelman D8/356
 2009/0000086 A1 * 1/2009 Bing F16B 45/06
 24/592.11
 2016/0153487 A1 * 6/2016 Hollinger F16B 45/02
 24/376

* cited by examiner

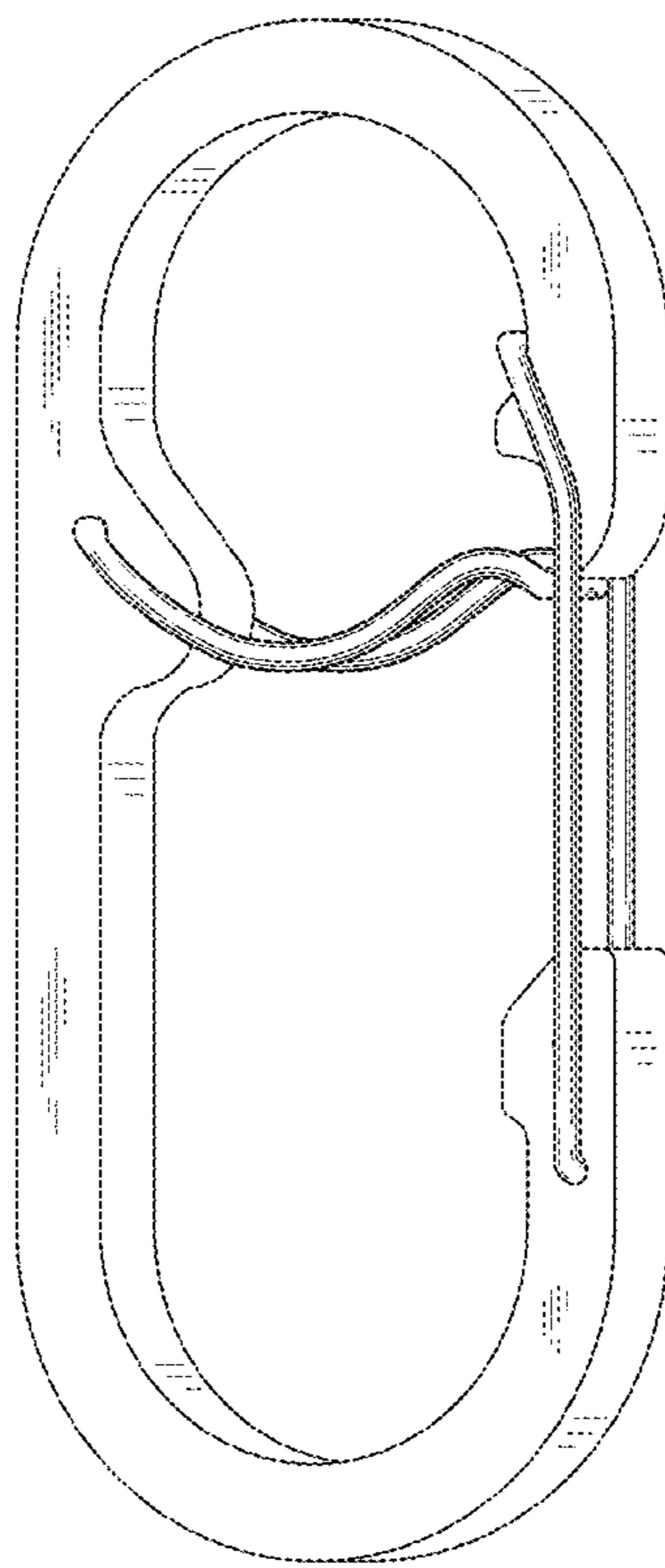


FIG. 1

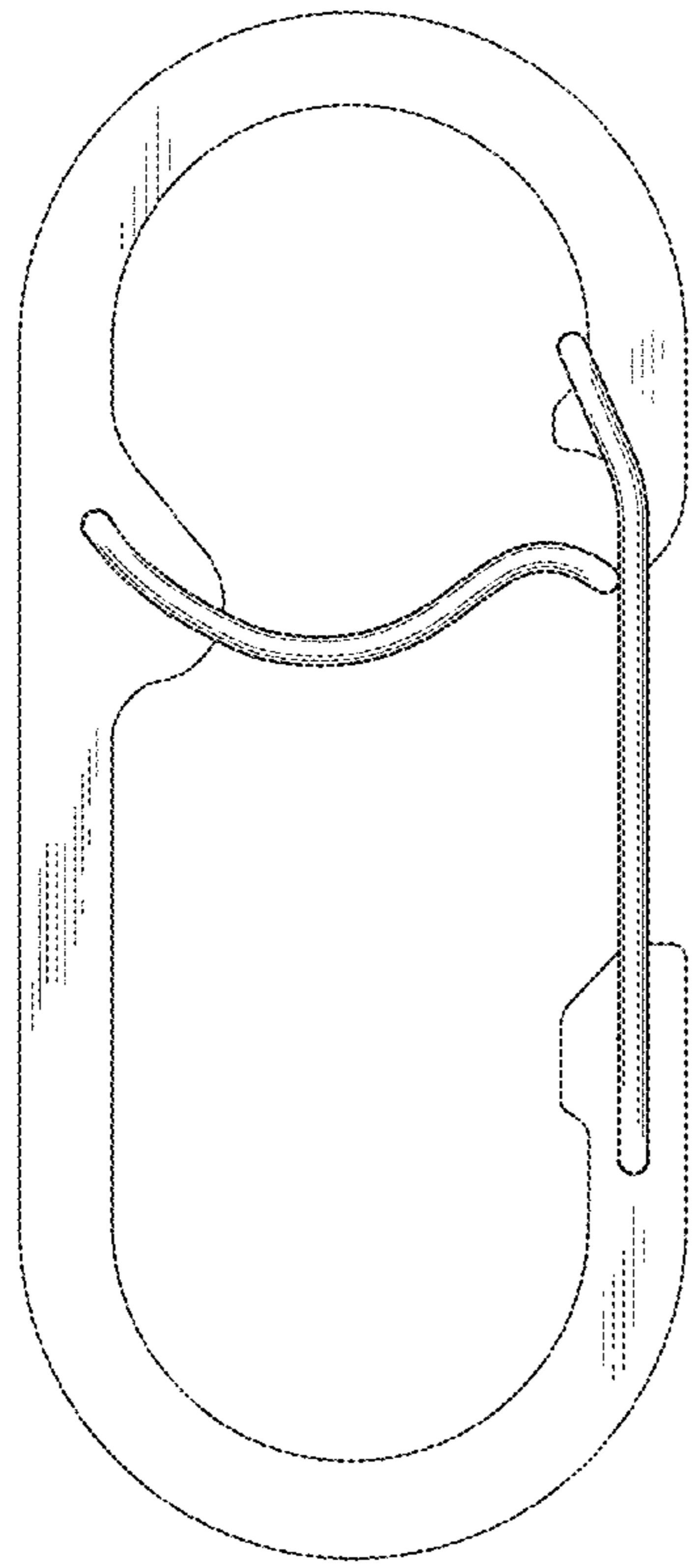


FIG. 2

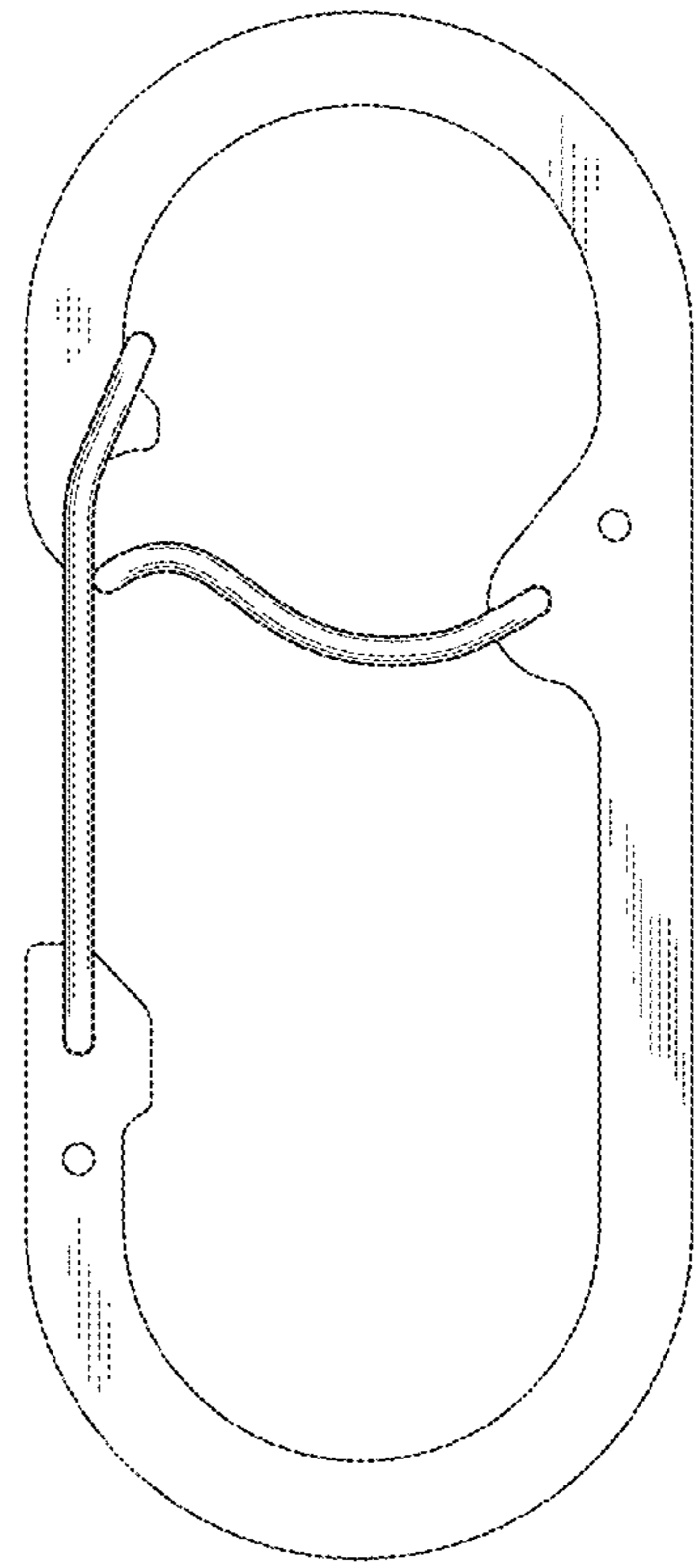


FIG. 3

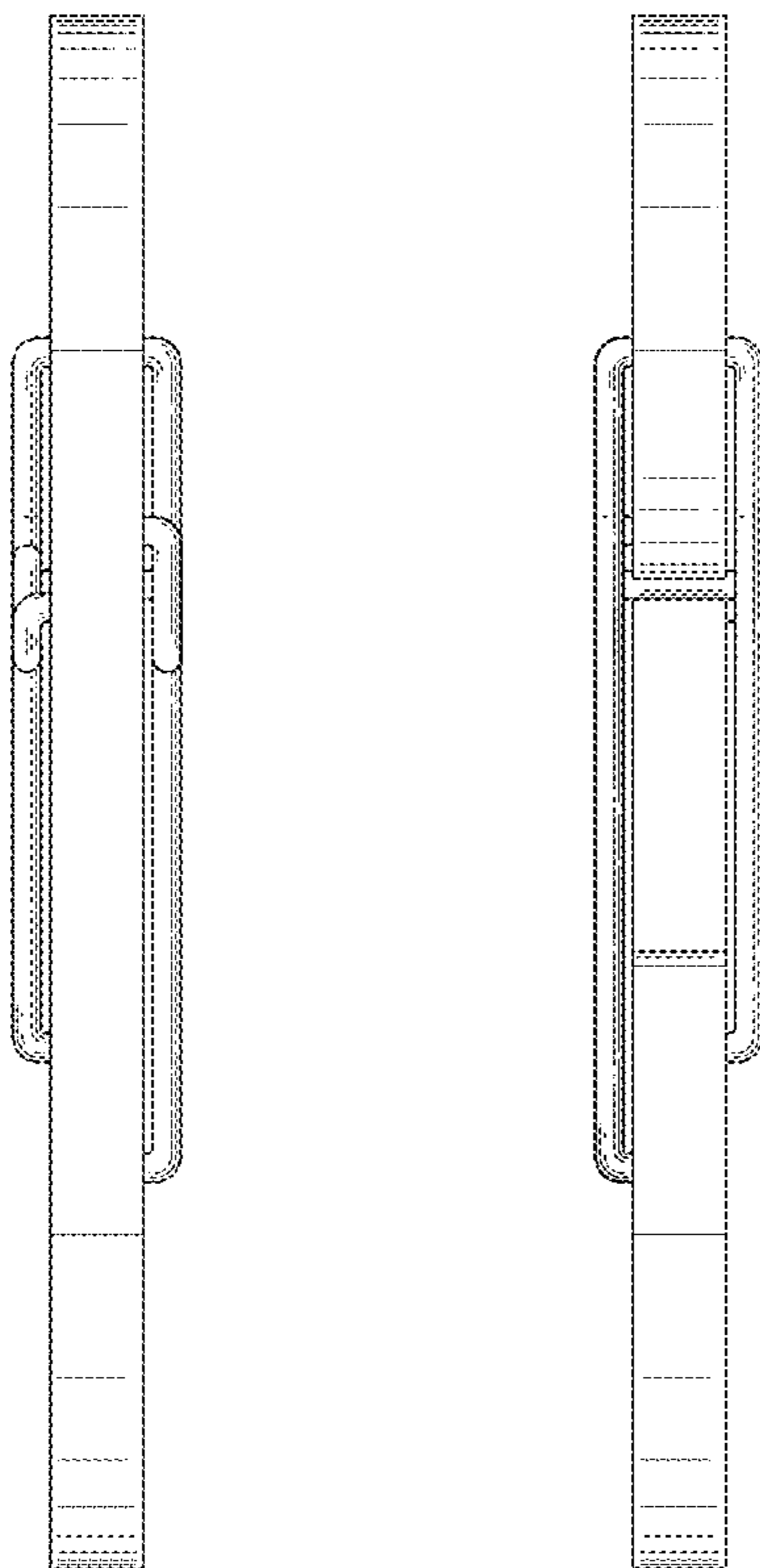


FIG. 6

FIG. 7

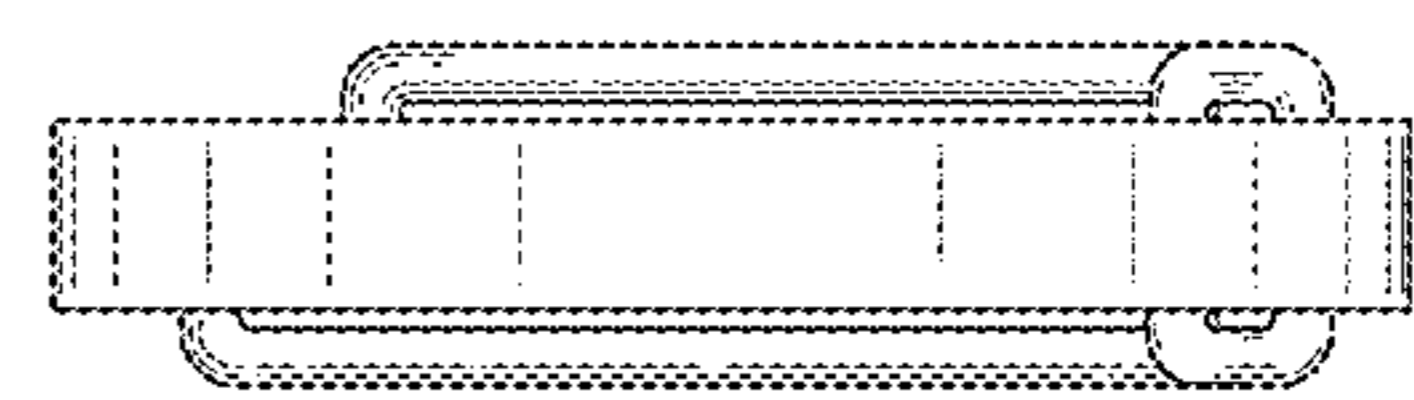


FIG. 4

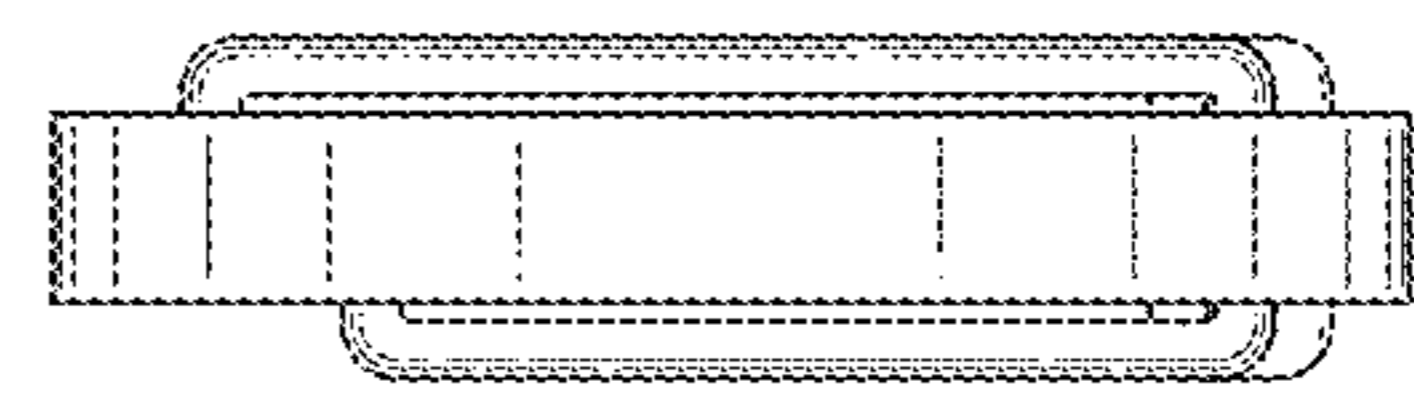


FIG. 5

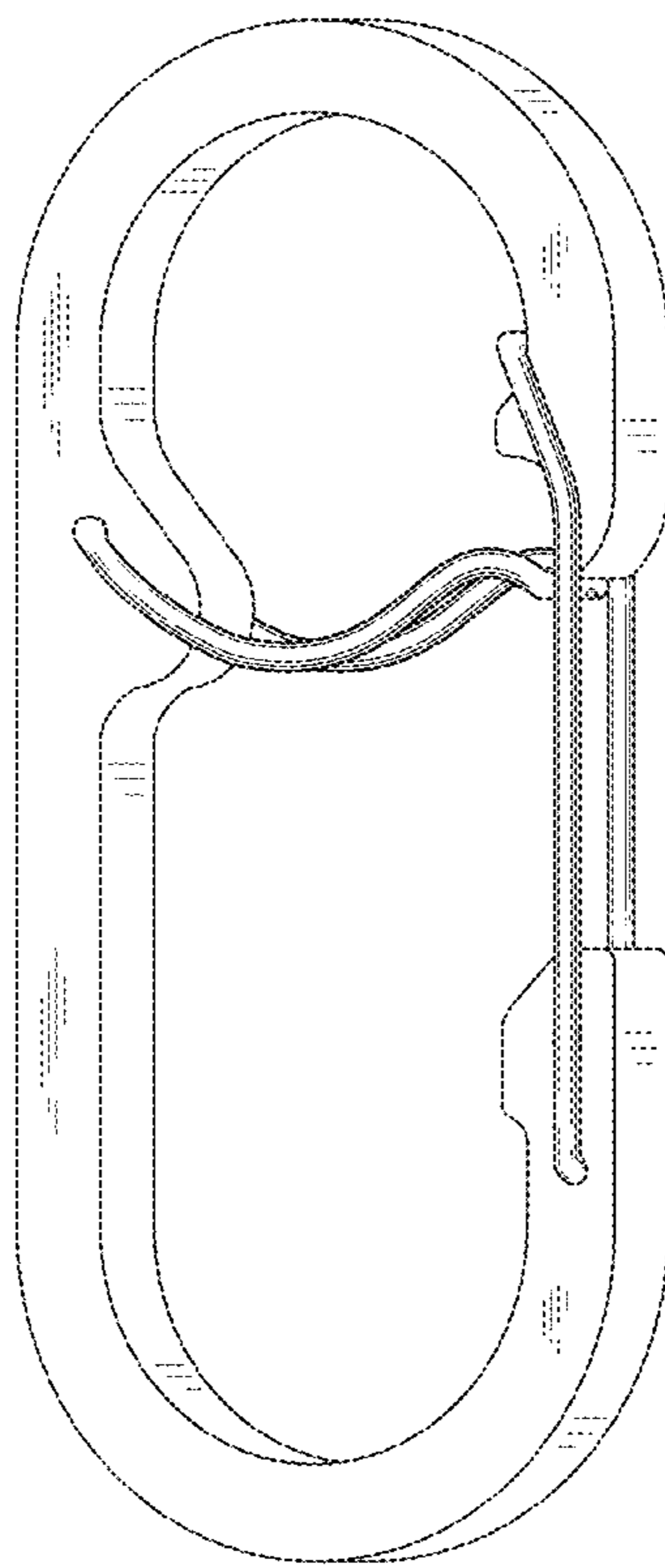


FIG. 8

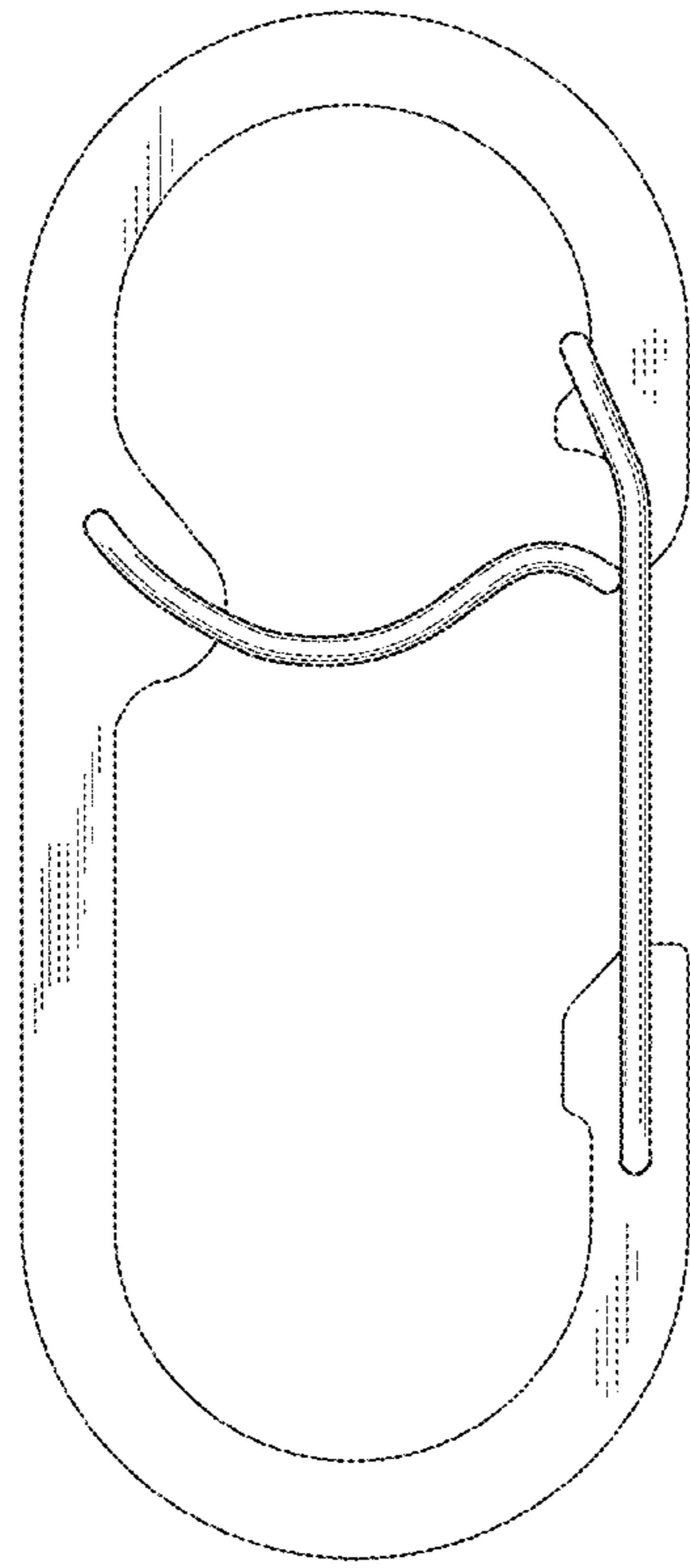


FIG. 9

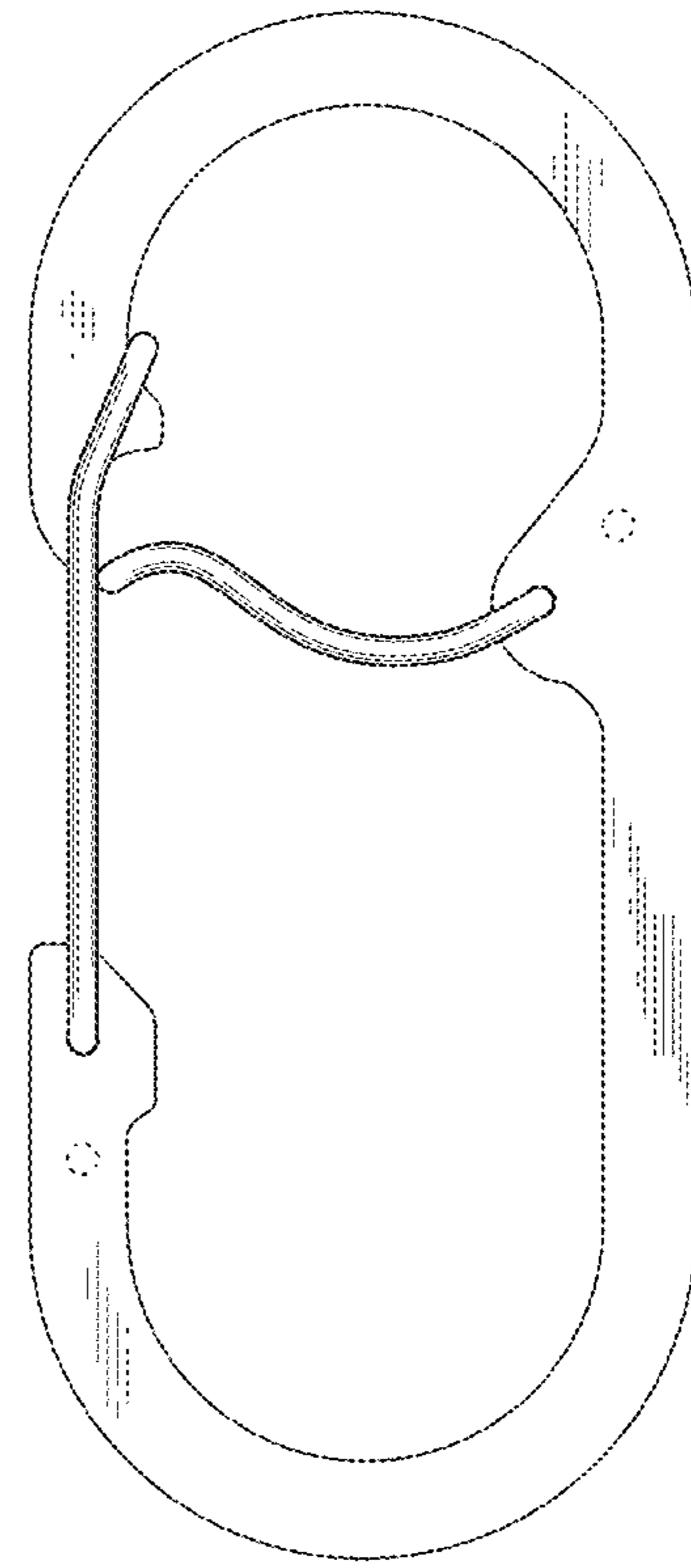


FIG. 10

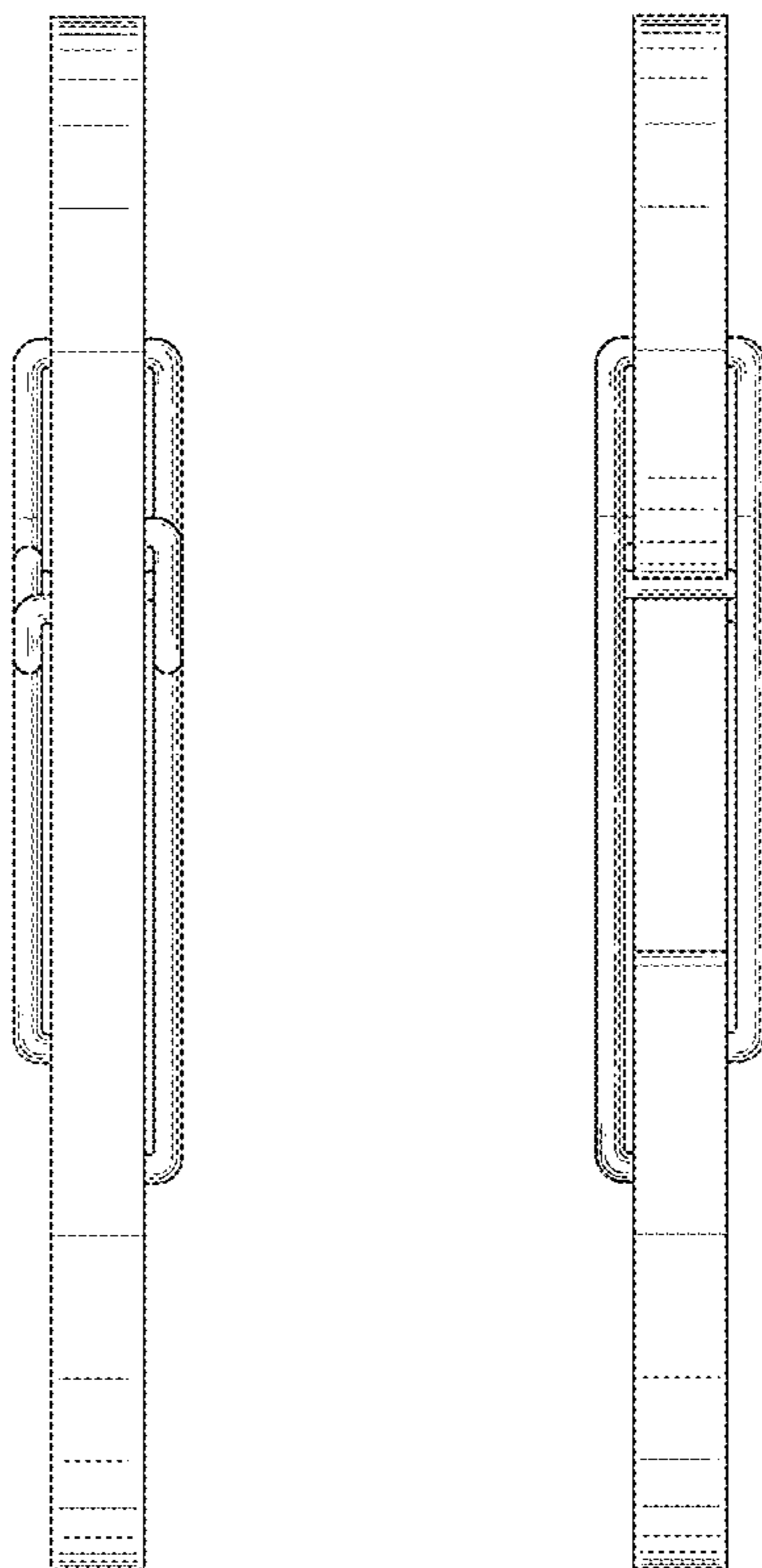


FIG. 13

FIG. 14

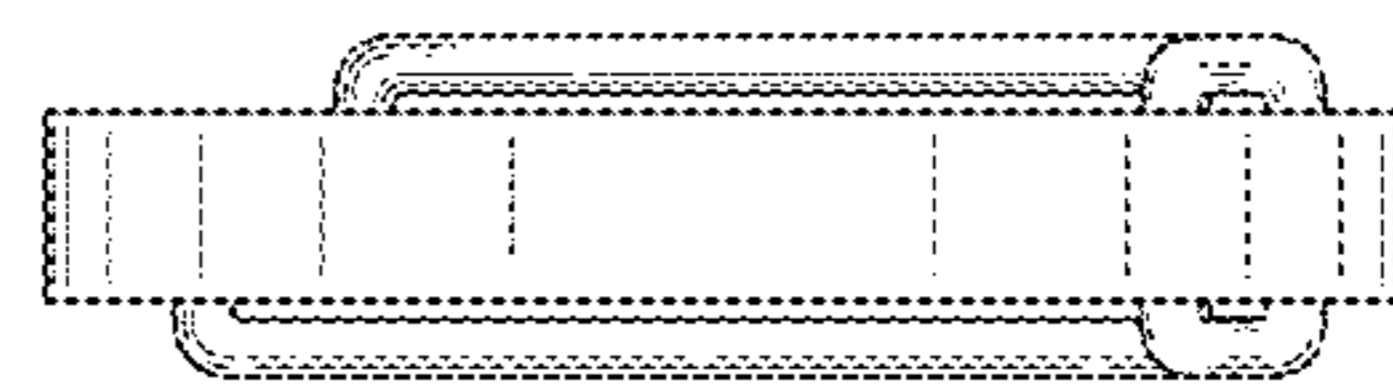


FIG. 11

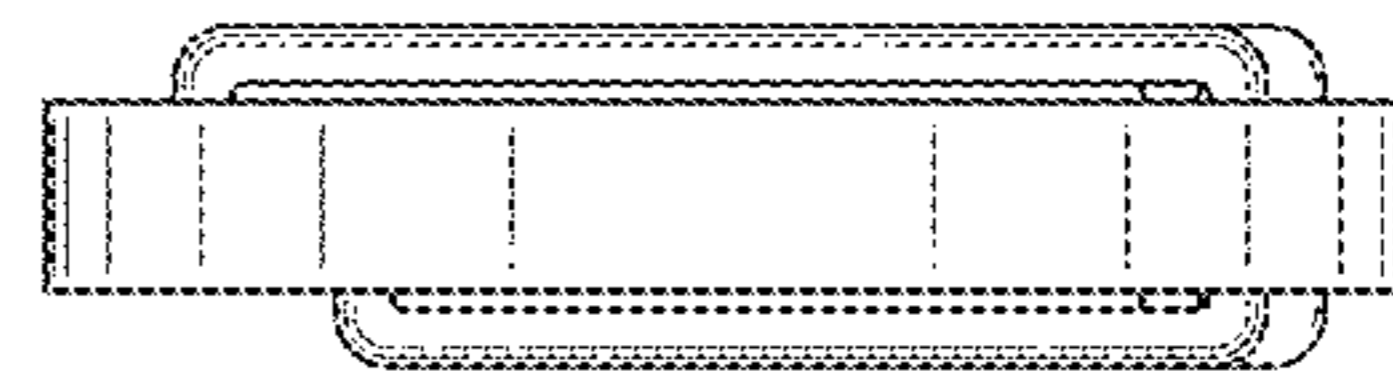


FIG. 12

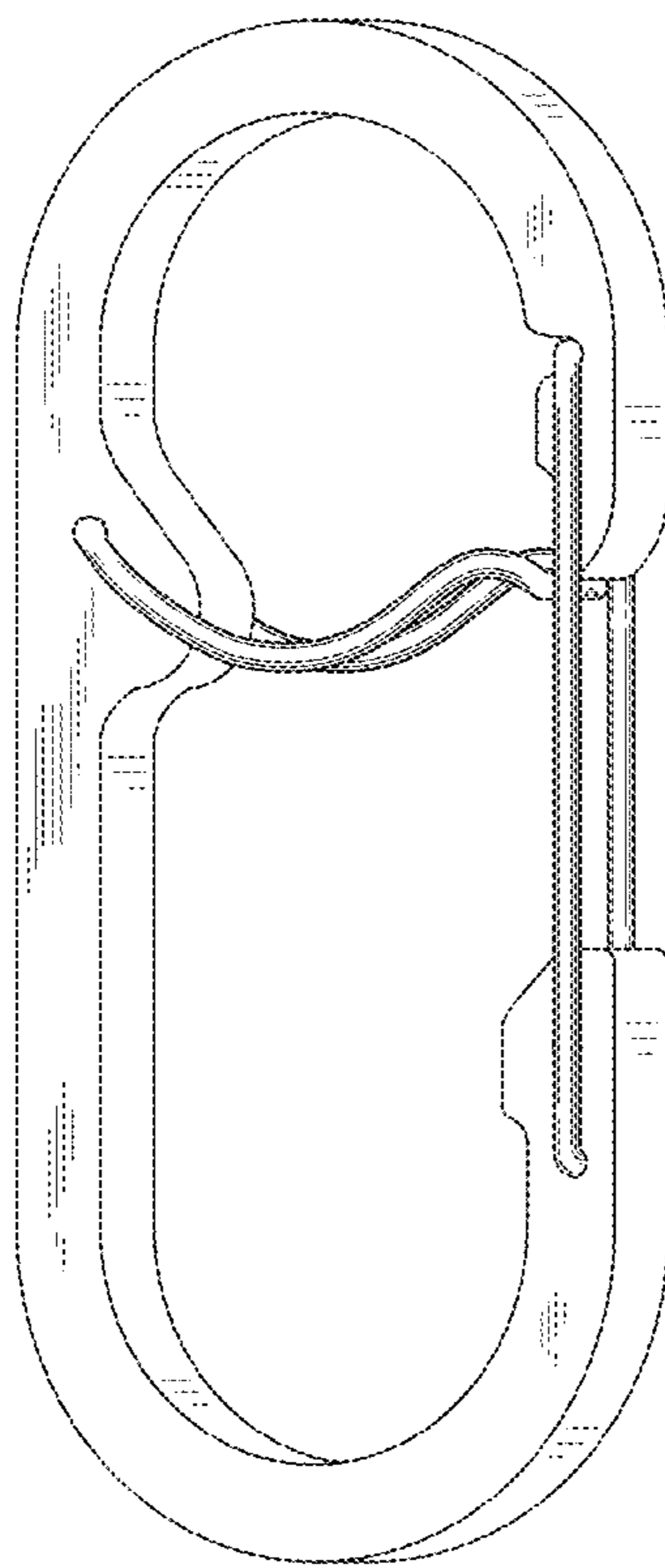


FIG. 15

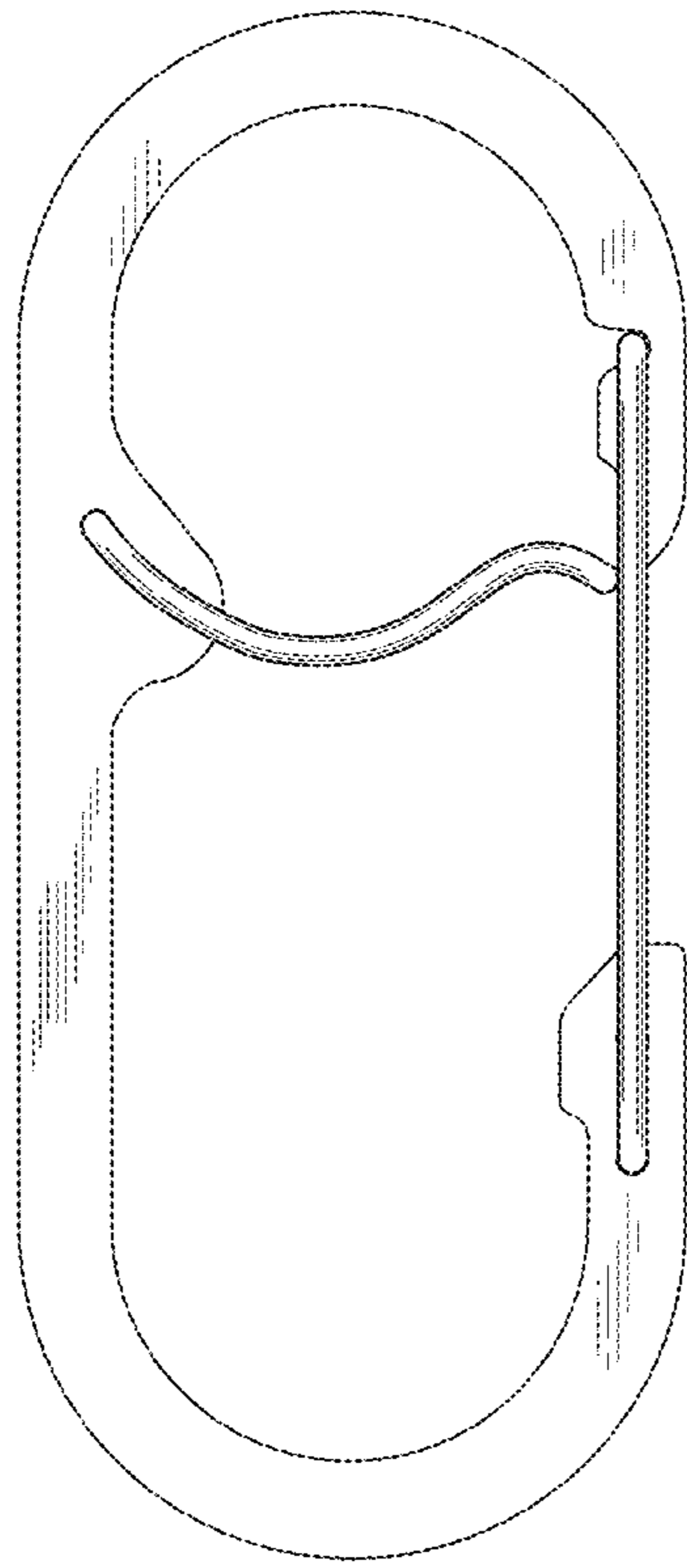


FIG. 16

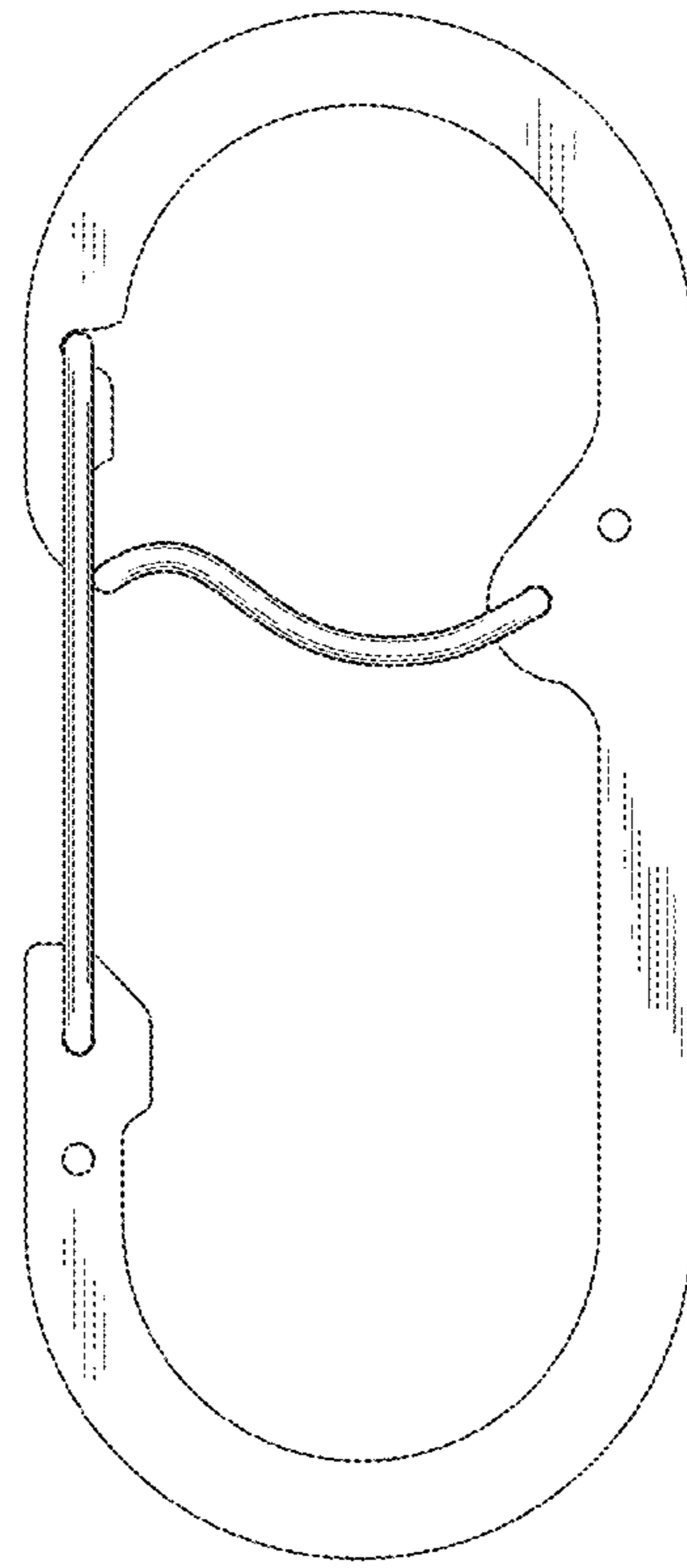


FIG. 17

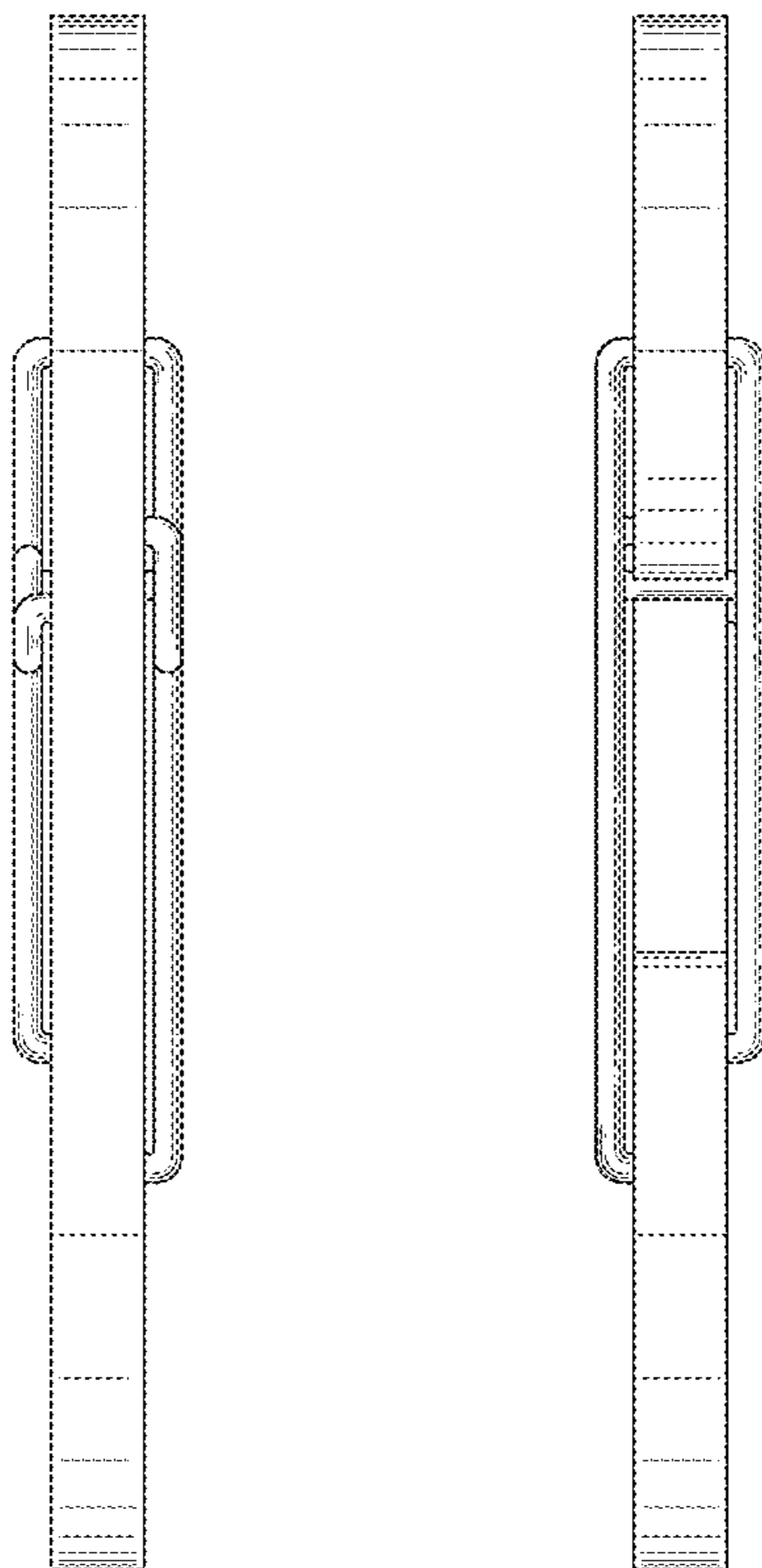


FIG. 20

FIG. 21

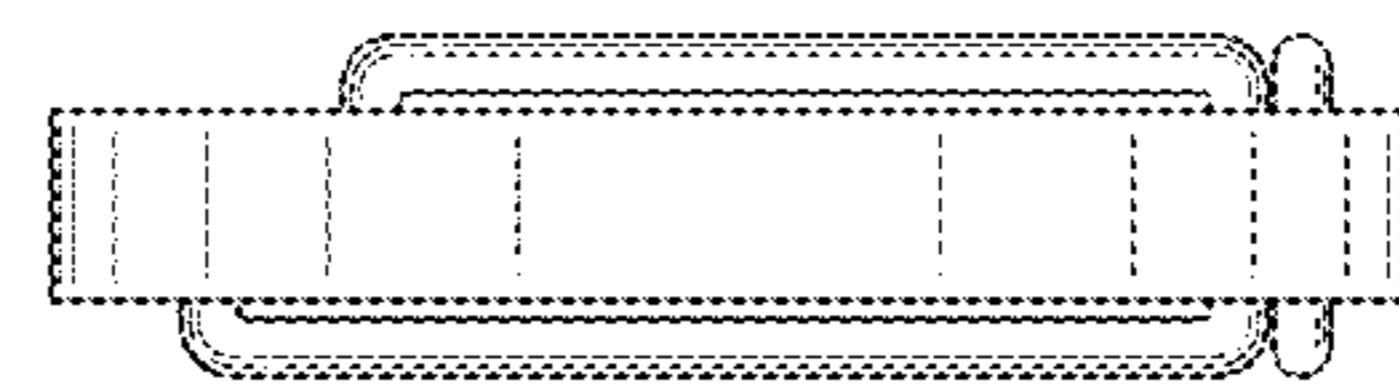


FIG. 18

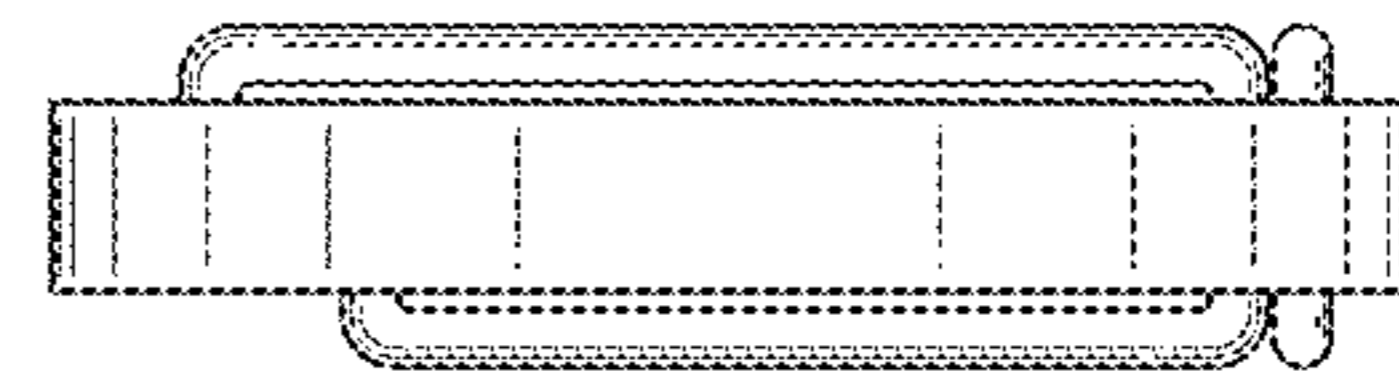


FIG. 19

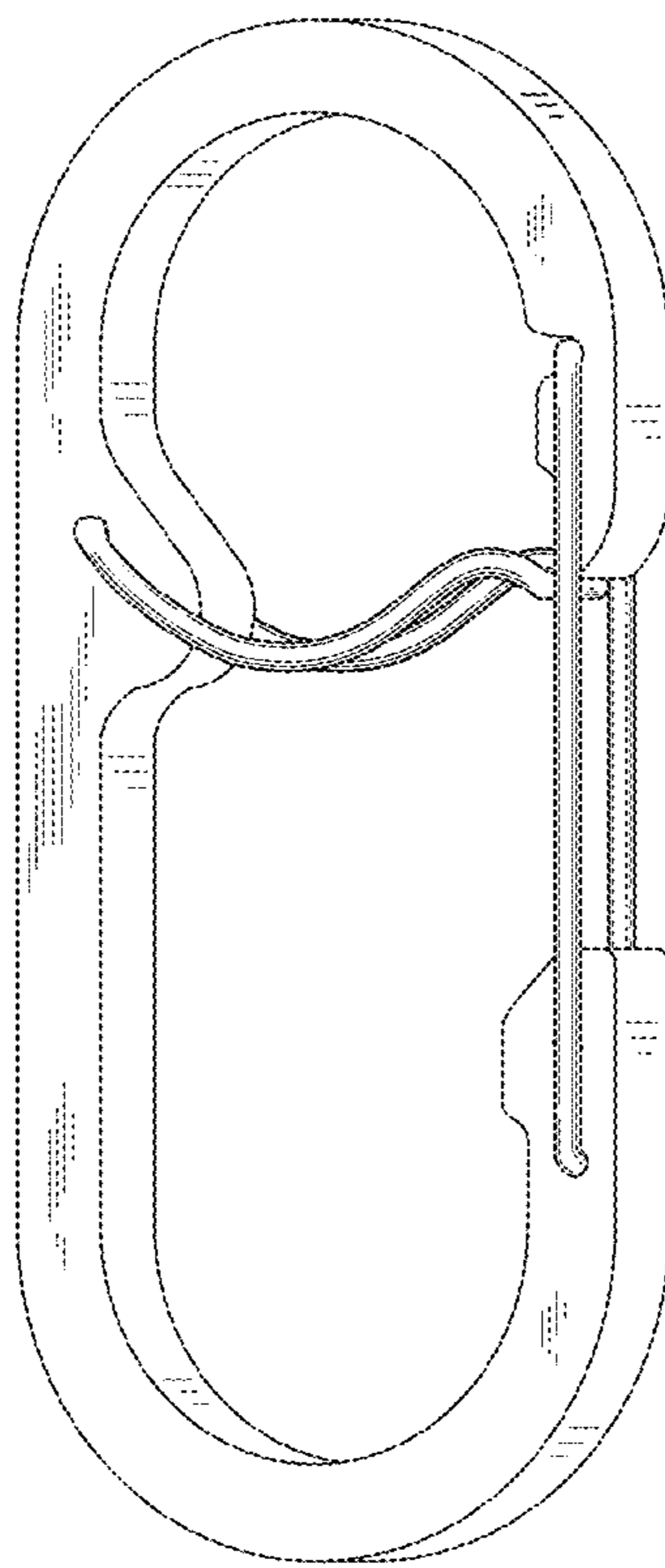


FIG. 22

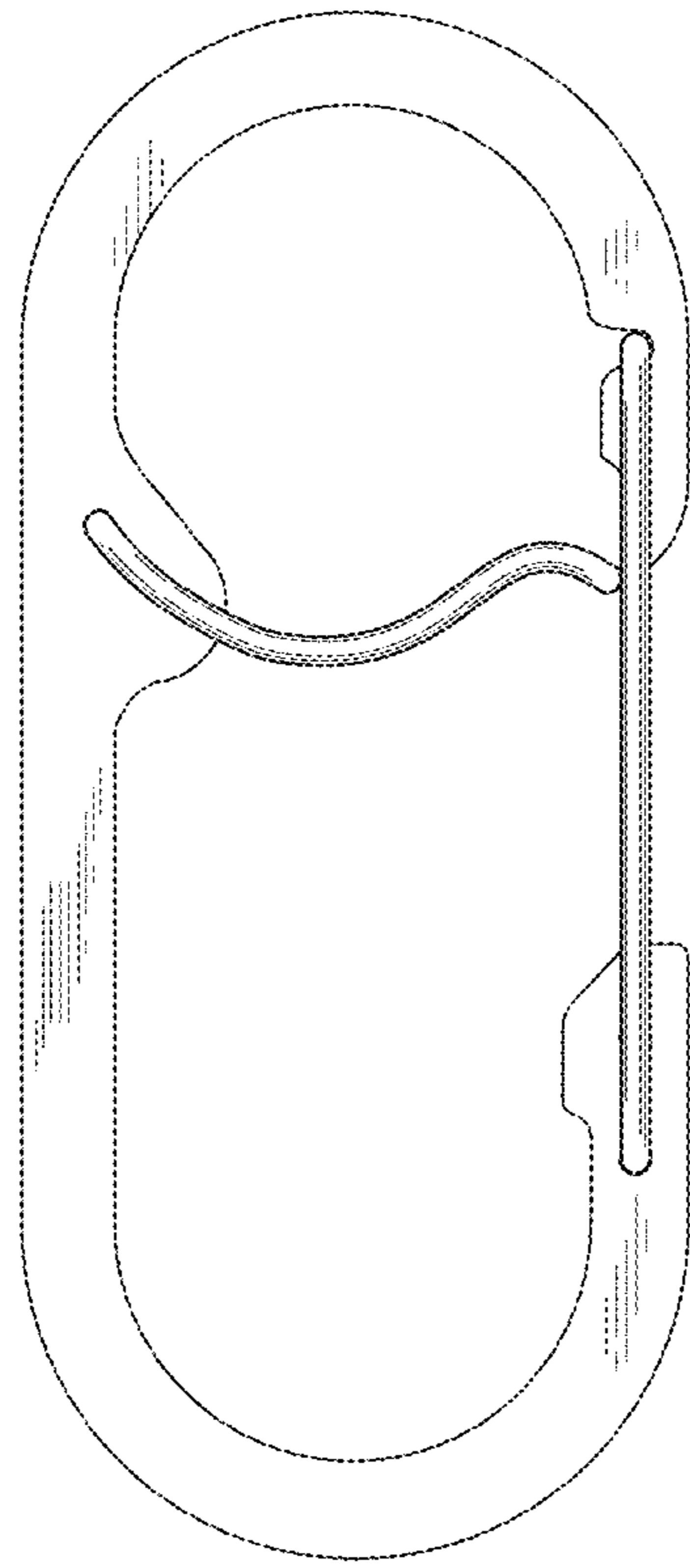


FIG. 23

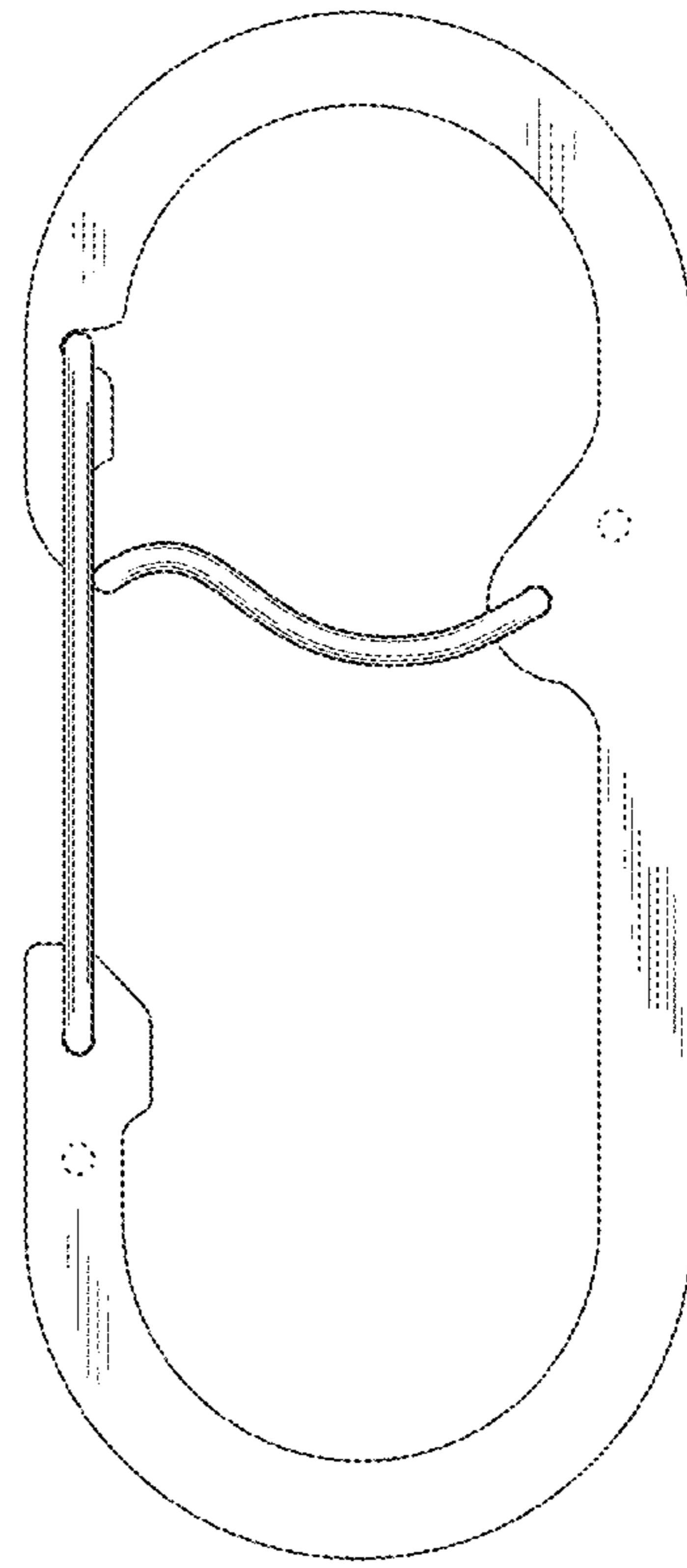


FIG. 24

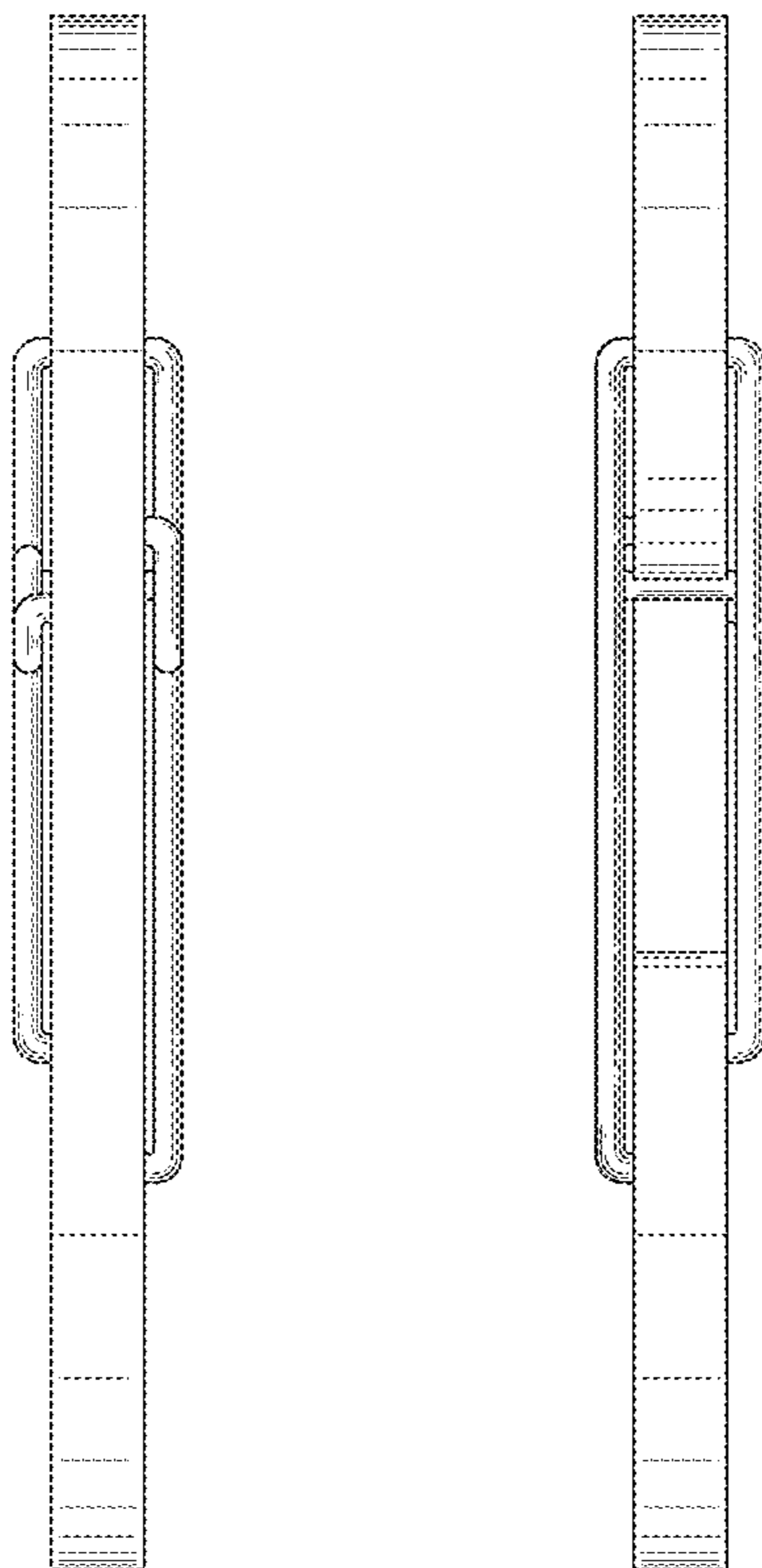


FIG. 27

FIG. 28

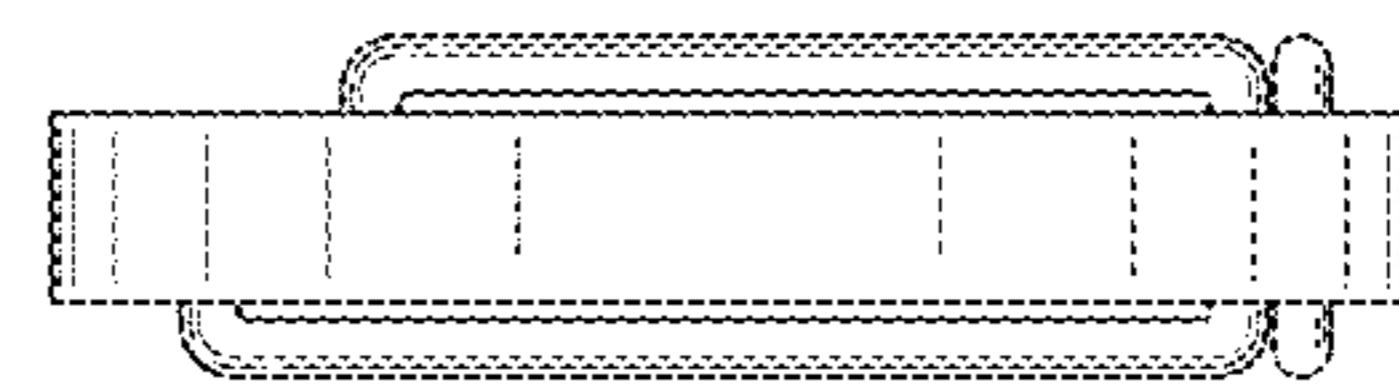


FIG. 25

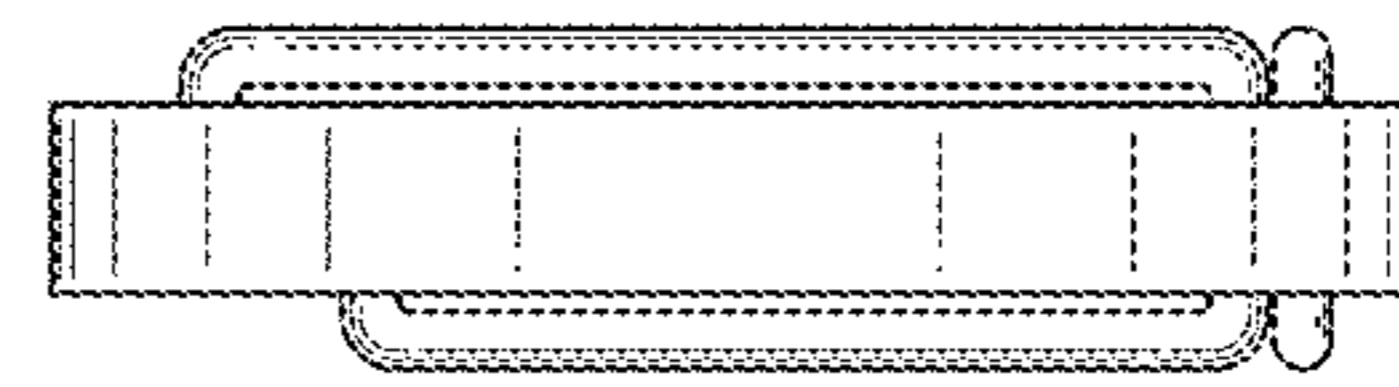


FIG. 26

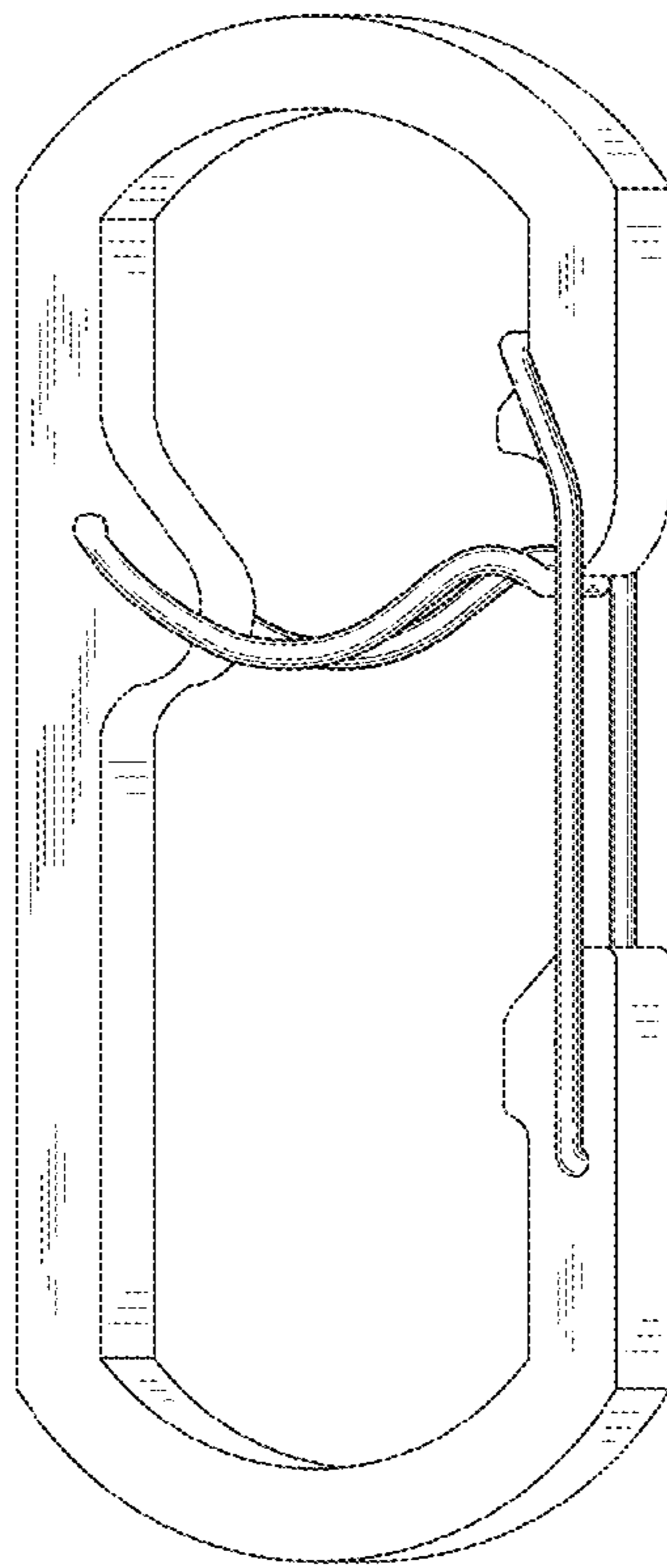


FIG. 29

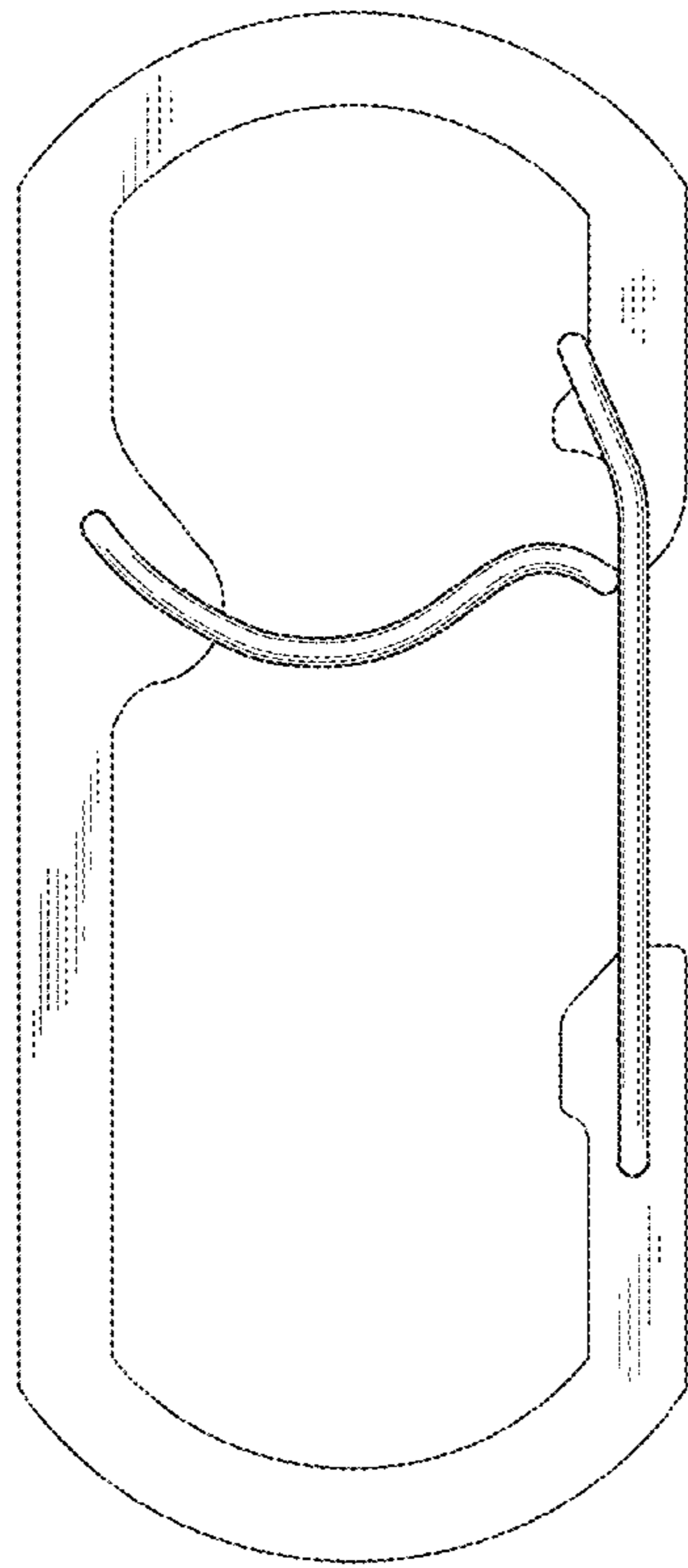


FIG. 30

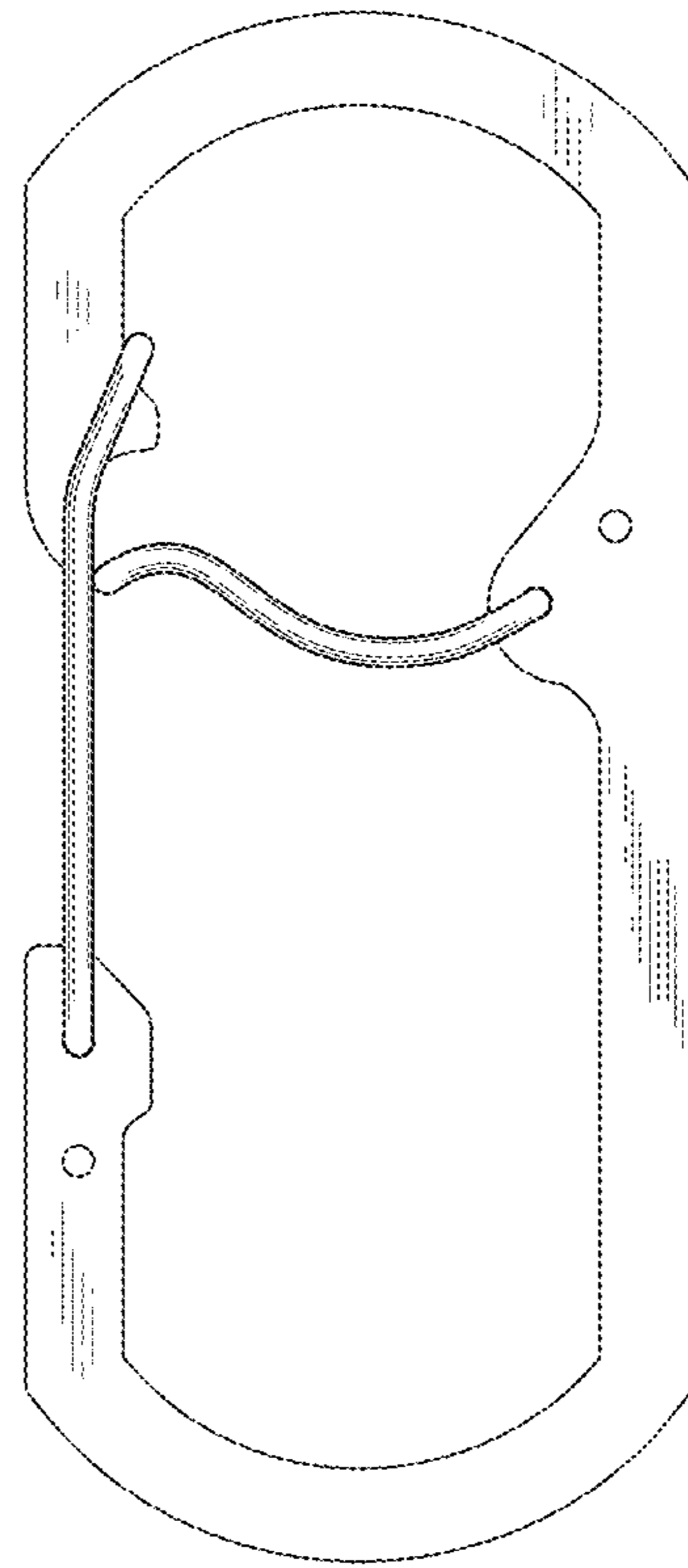


FIG. 31

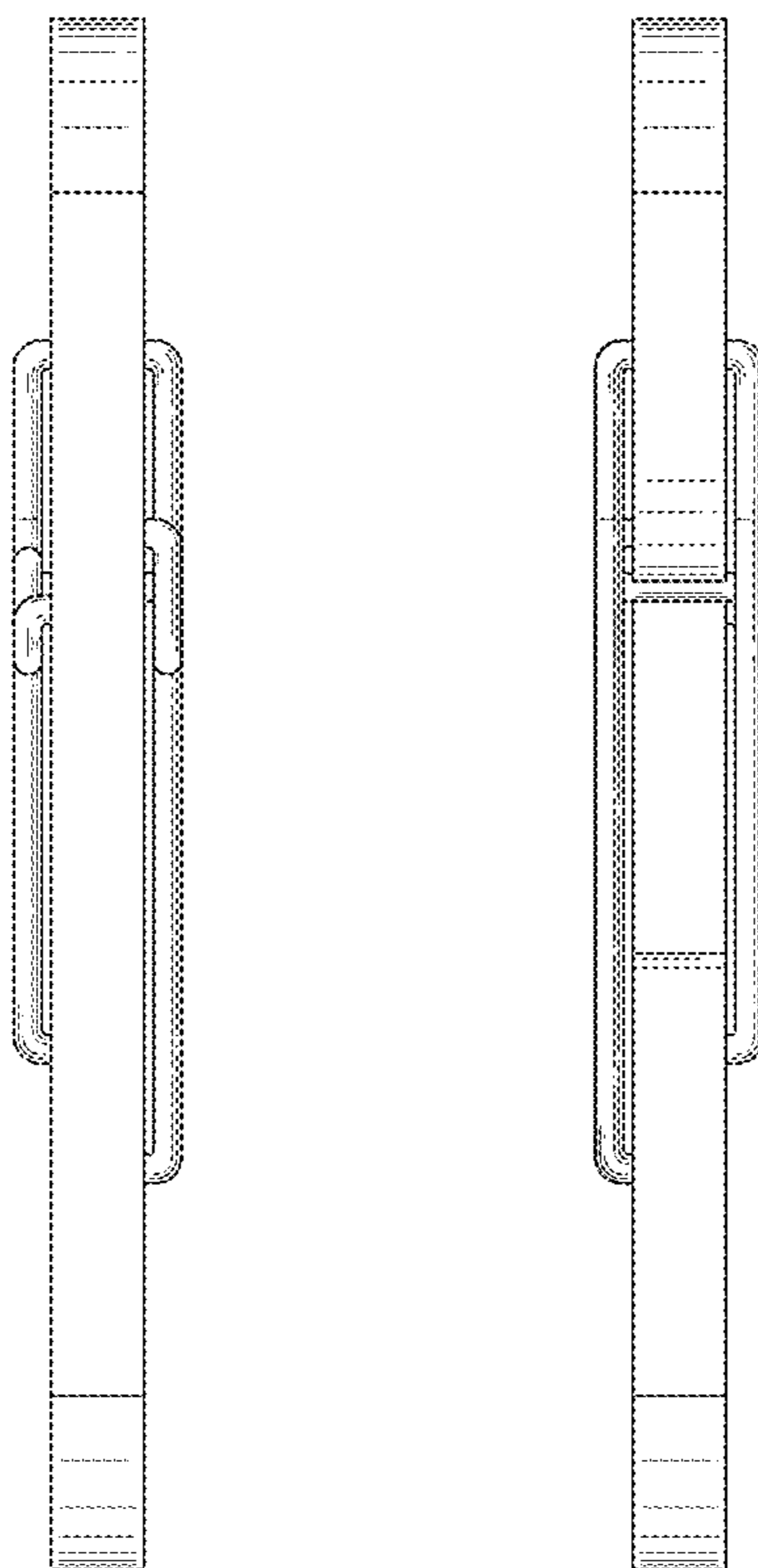


FIG. 34

FIG. 35

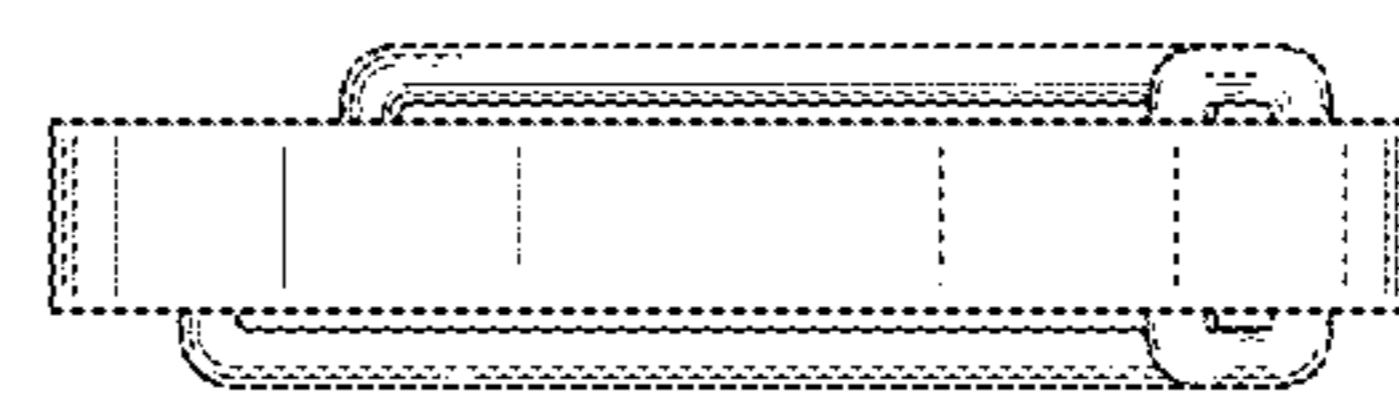


FIG. 32

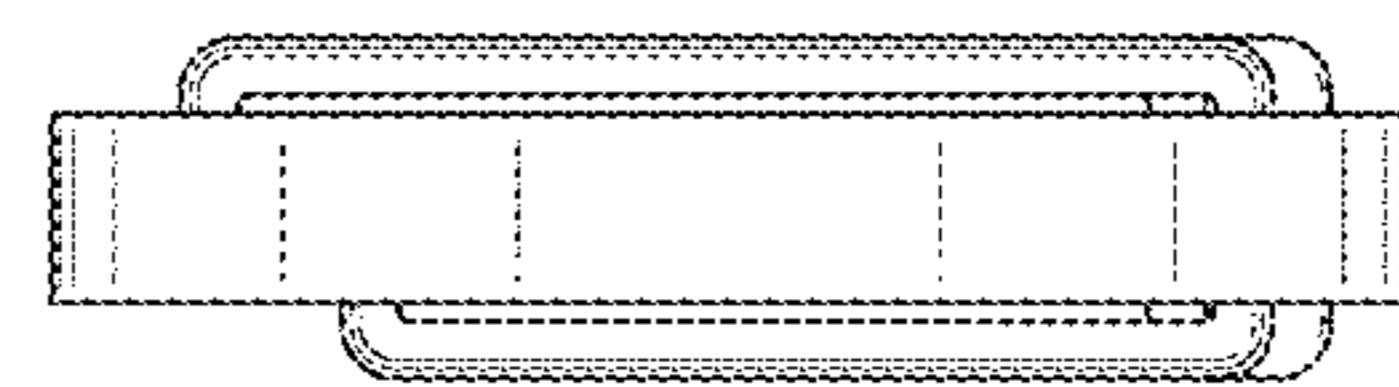


FIG. 33

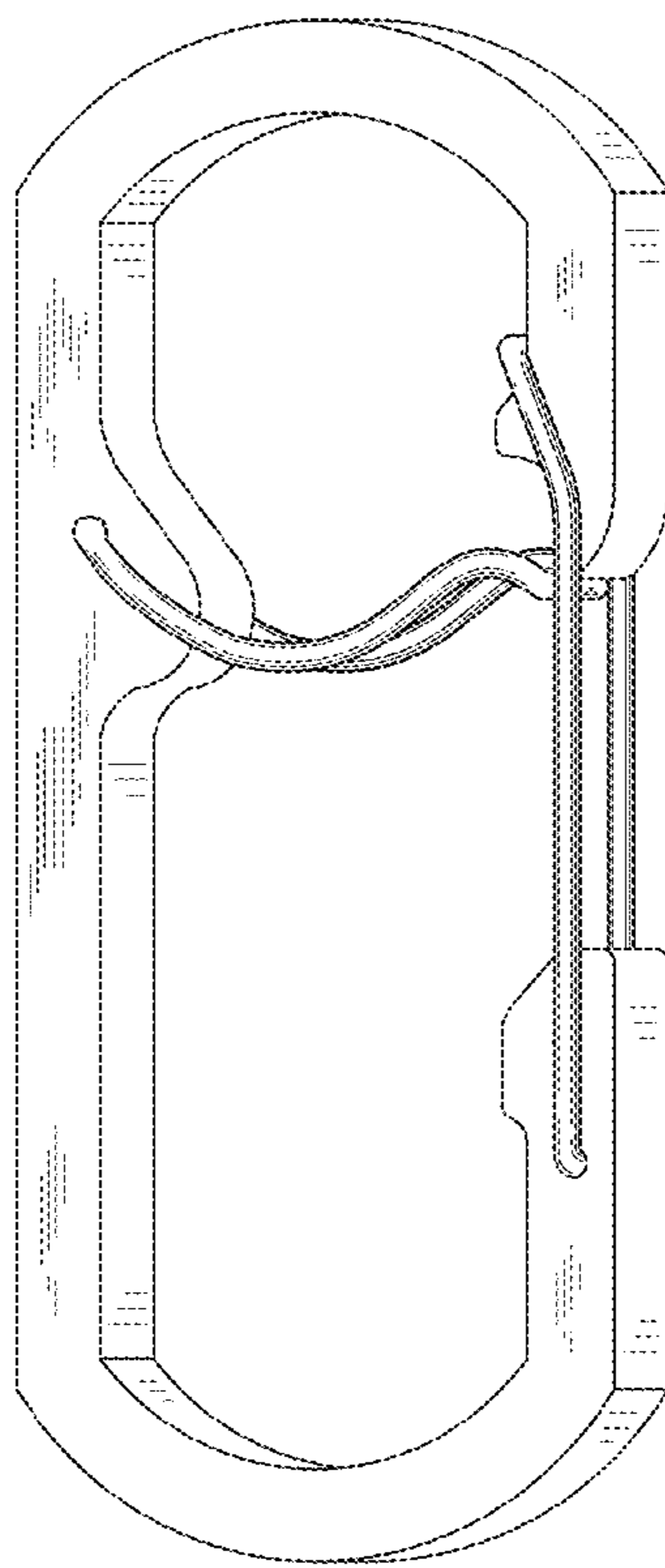


FIG. 36

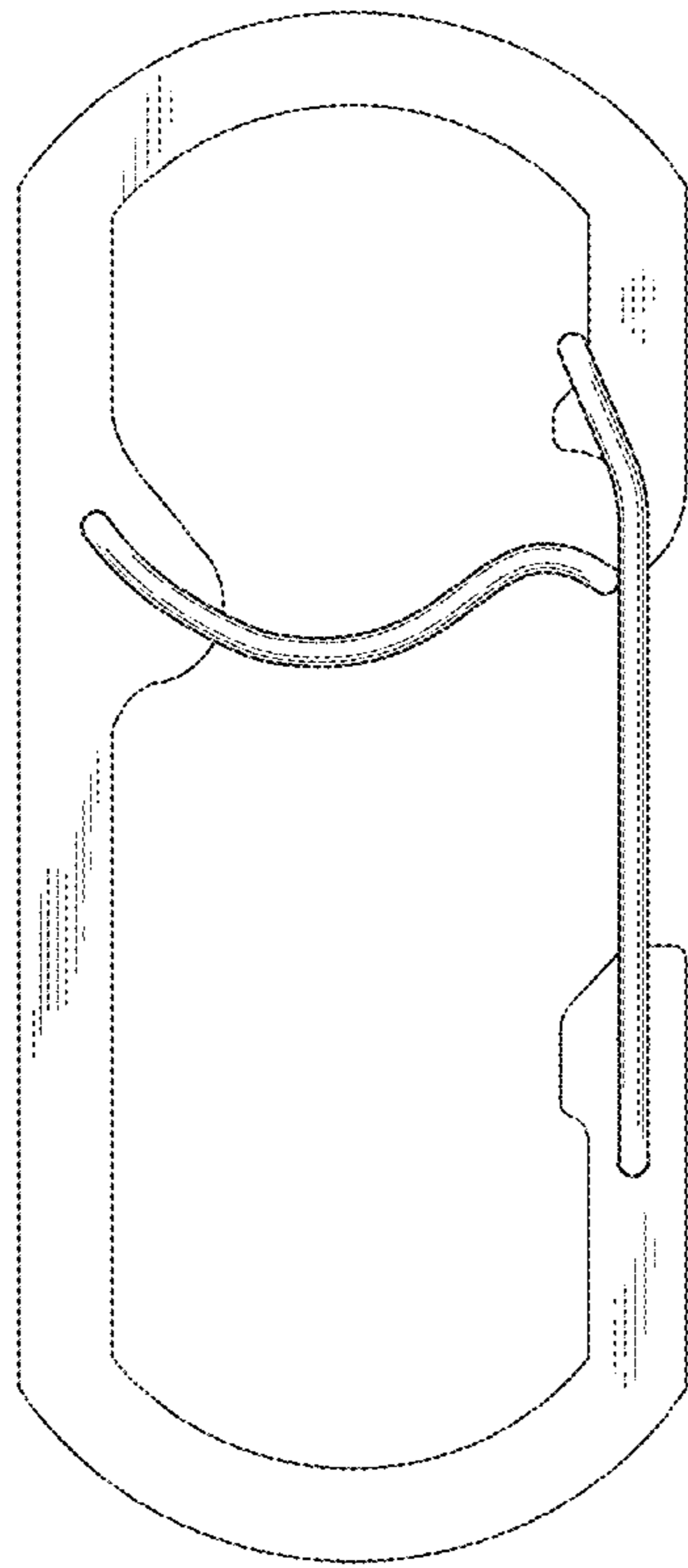


FIG. 37

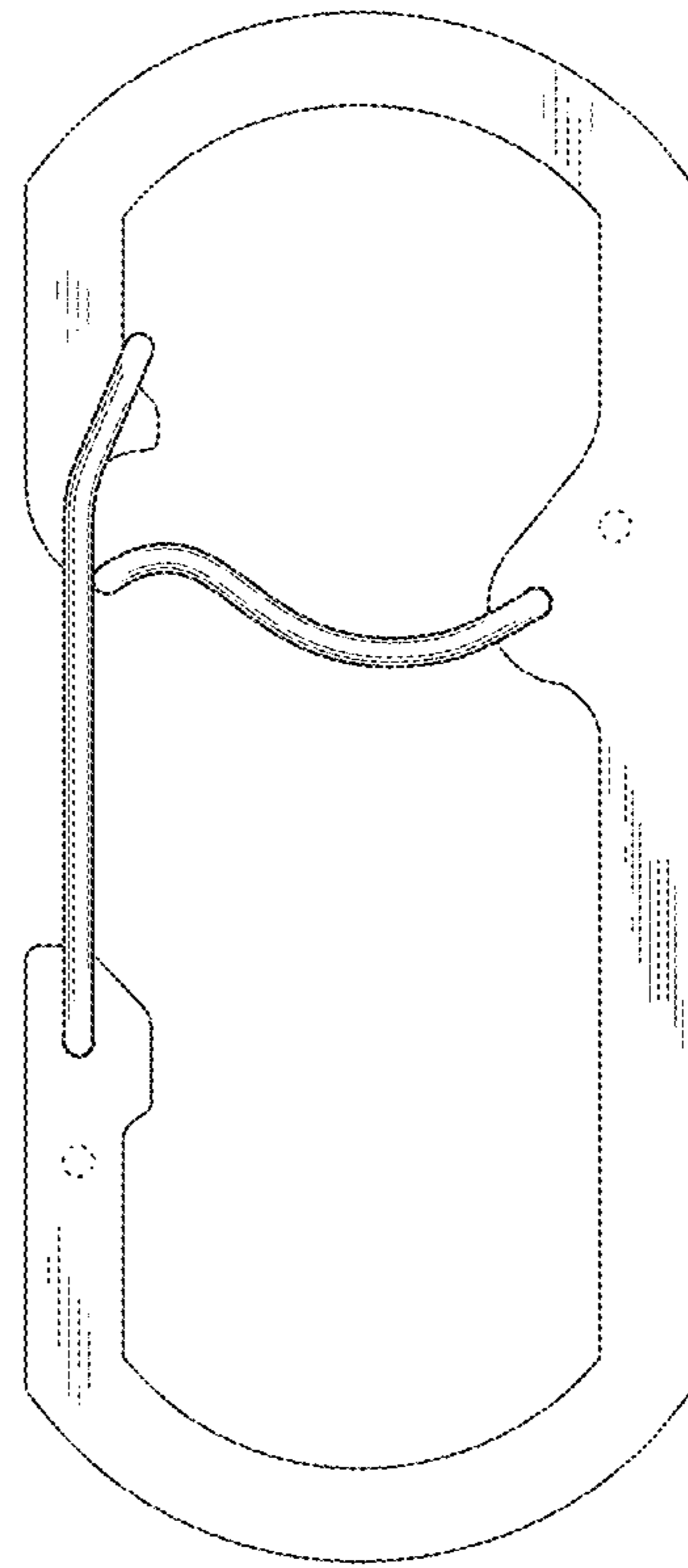


FIG. 38

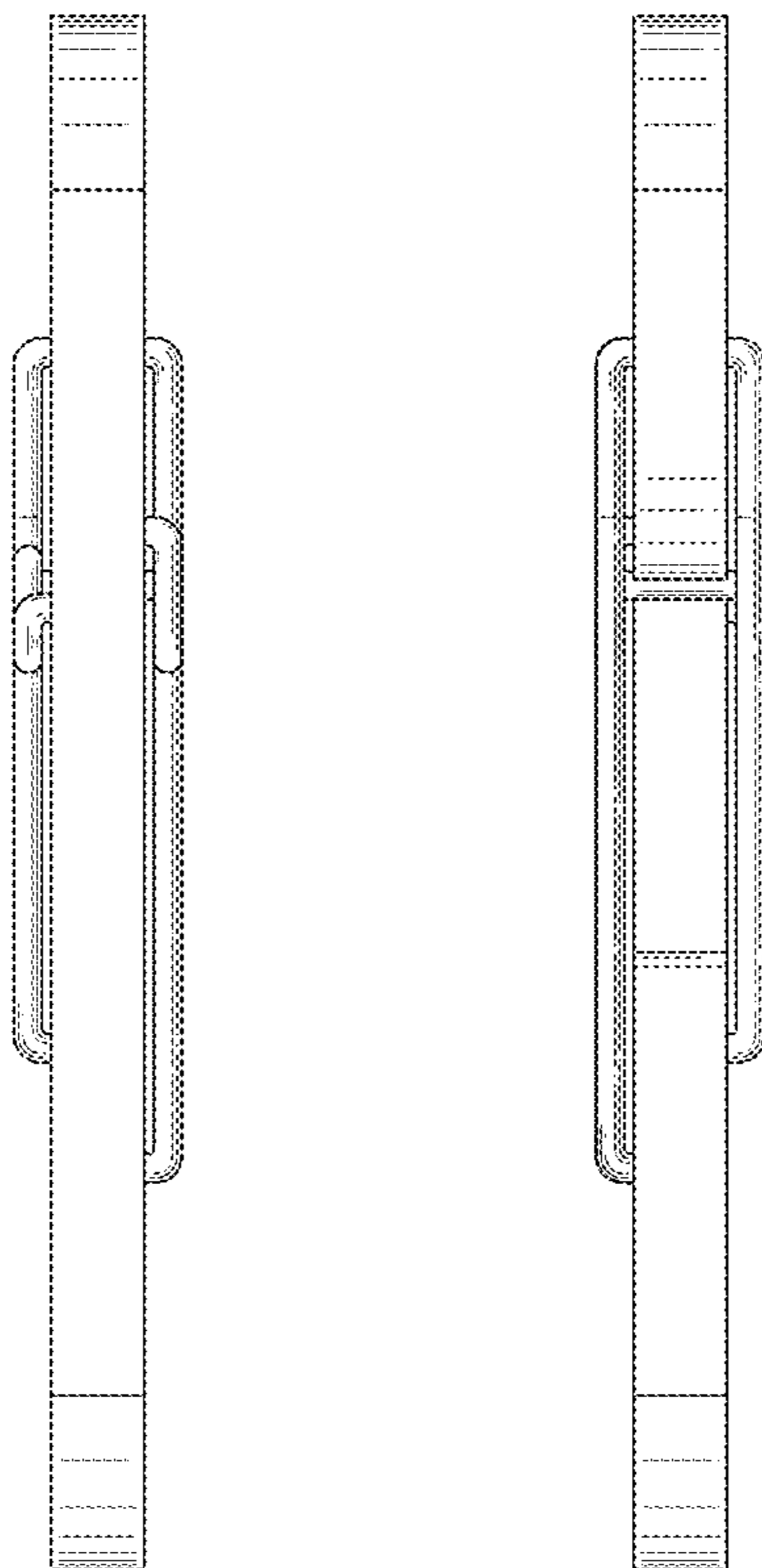


FIG. 41 FIG. 42

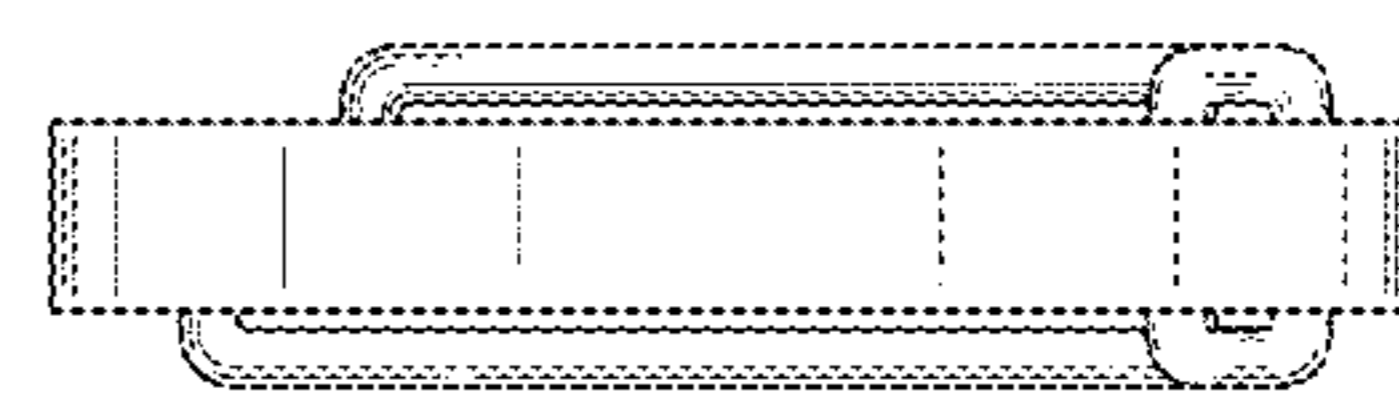


FIG. 39

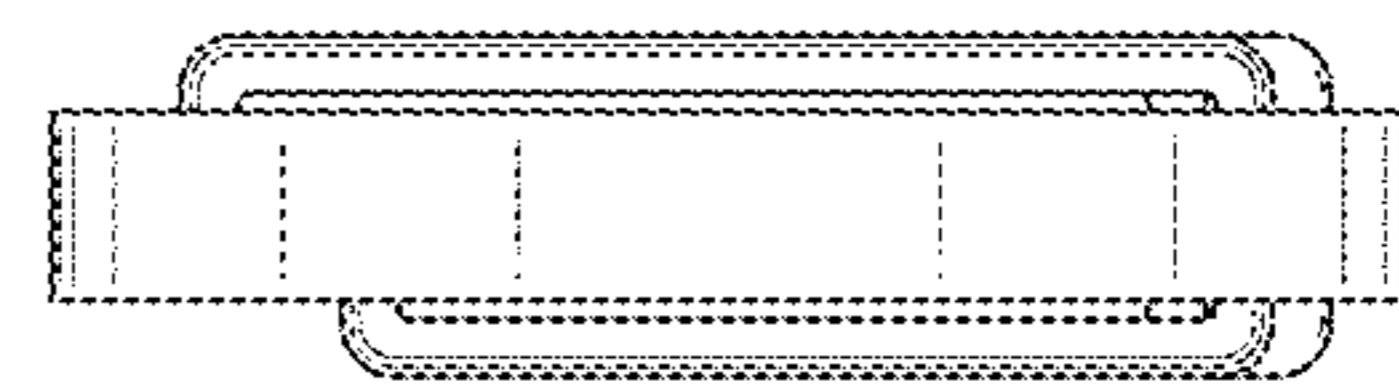


FIG. 40