

US00D954537S

(12) **United States Design Patent**
Qin

(10) **Patent No.:** **US D954,537 S**
(45) **Date of Patent:** **** Jun. 14, 2022**

- (54) **HOSE HOLDER WALL MOUNT**
- (71) Applicant: **Yuan Qin**, Shenzhen (CN)
- (72) Inventor: **Yuan Qin**, Shenzhen (CN)
- (**) Term: **15 Years**
- (21) Appl. No.: **29/786,405**
- (22) Filed: **Jun. 1, 2021**
- (51) **LOC (13) Cl.** **09-06**
- (52) **U.S. Cl.**
USPC **D8/356**
- (58) **Field of Classification Search**
USPC D6/678.4; D8/356, 354, 349, 358, 373,
D8/379; 248/68.1, 89; 137/355.16;
242/400.1; 211/60.1
CPC B65G 7/12; A62C 33/04; B65H 75/366
See application file for complete search history.

6,079,675	A *	6/2000	Hsu	248/68.1
D442,444	S *	5/2001	Bowling	D8/1
D554,979	S *	11/2007	Hsu	D8/356
7,455,258	B2 *	11/2008	Proebstle	B65H 75/06 242/405.1
D607,308	S *	1/2010	Moon	D8/356
D661,571	S *	6/2012	Vogler	D8/358
D714,127	S *	9/2014	Zavala	D8/356
D724,934	S *	3/2015	Lu	D8/356
D736,547	S *	8/2015	Morales	D6/678.4
D753,939	S *	4/2016	Tsai	D6/678.4
D763,020	S *	8/2016	Tsai	D6/678.4
D798,131	S *	9/2017	Agneessens	D8/373
D903,473	S	12/2020	Peng	
D903,474	S	12/2020	Peng	
11,199,279	B2 *	12/2021	Uffner	F16L 3/23
2021/0284482	A1 *	9/2021	Cockerell	B65H 75/265

* cited by examiner

Primary Examiner — Cynthia R Underwood

(57) **CLAIM**

The ornamental design for a hose holder wall mount, as shown and described.

(56) **References Cited**

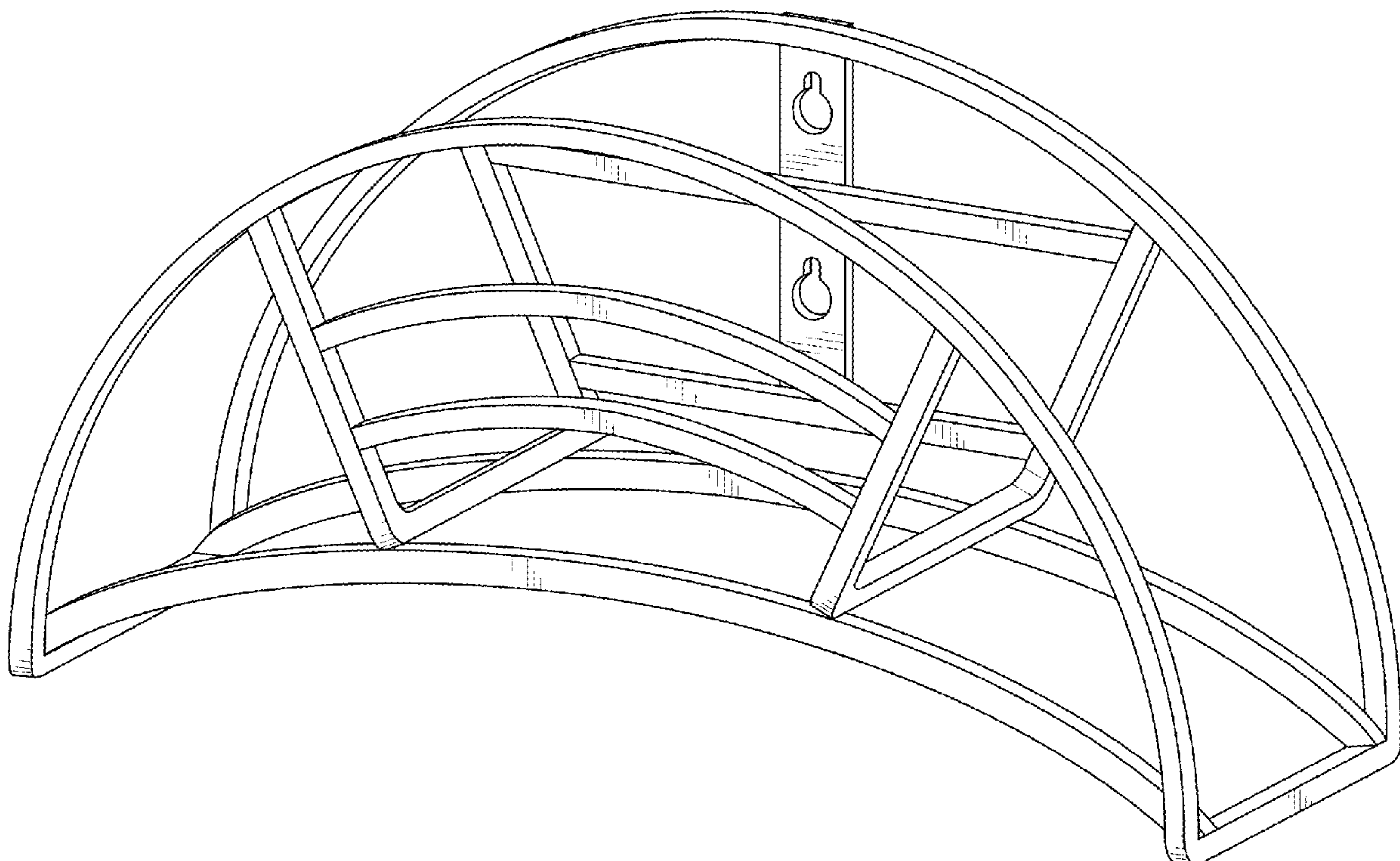
U.S. PATENT DOCUMENTS

355,924	A *	1/1887	Pavel	B65H 75/366 248/89
D76,027	S *	8/1928	Madvig	D8/379
D306,681	S *	3/1990	Toca, III	D8/1
D334,529	S *	4/1993	Guilbert	D6/678.4
D341,767	S *	11/1993	Brueske	D8/356
5,634,615	A *	6/1997	Shuen	B65H 75/366 211/60.1
5,699,987	A *	12/1997	Romaneschi	A62C 33/04 137/355.16
6,059,215	A *	5/2000	Finnis	B65H 75/366 242/400.1

DESCRIPTION

FIG. 1 is a perspective view of a hose holder wall mount showing my new design;
 FIG. 2 is a front view thereof;
 FIG. 3 is a rear view thereof;
 FIG. 4 is a left side view thereof;
 FIG. 5 is a right side view thereof;
 FIG. 6 is a top plan view thereof; and,
 FIG. 7 is a bottom plan view thereof.

1 Claim, 7 Drawing Sheets



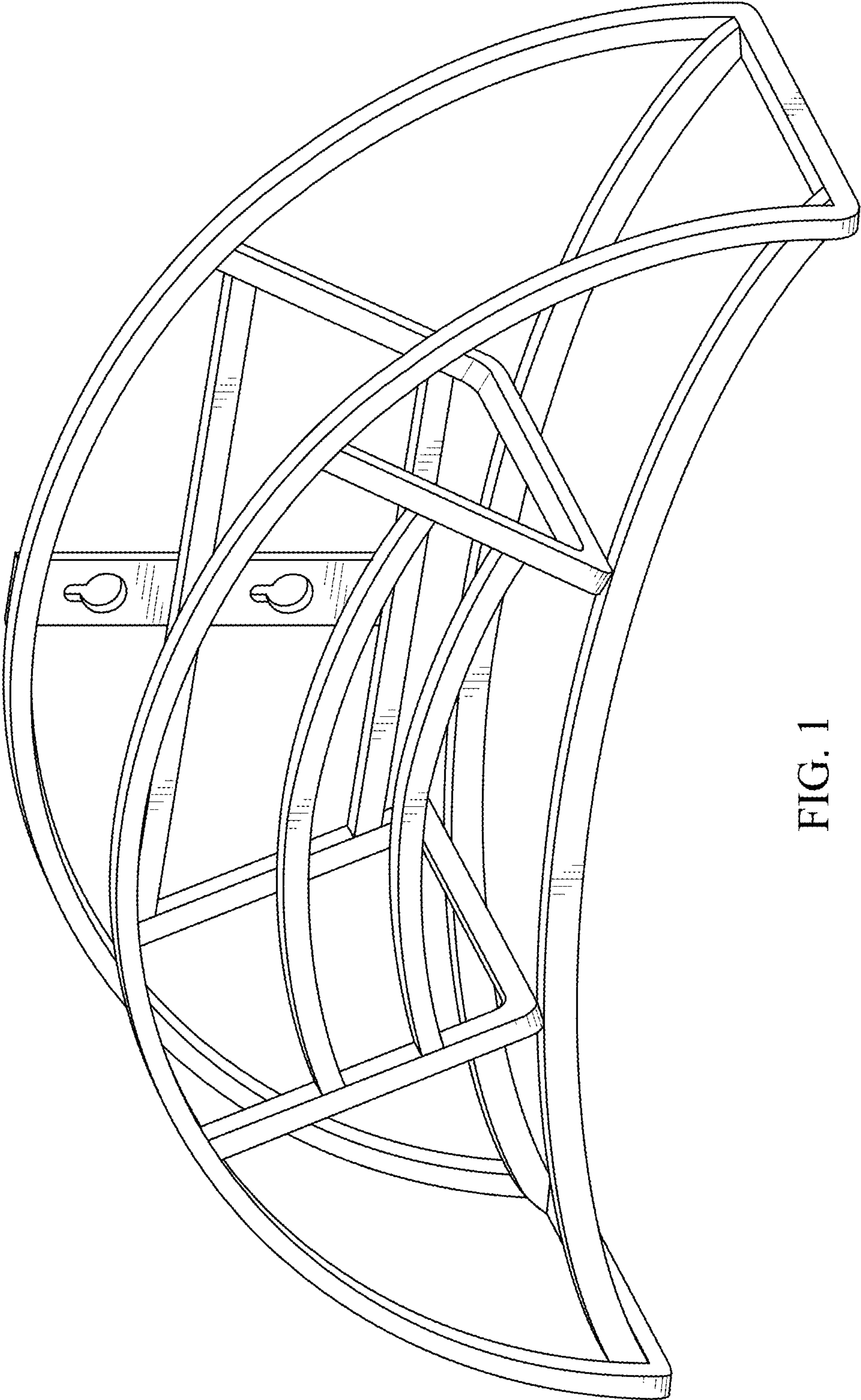


FIG. 1

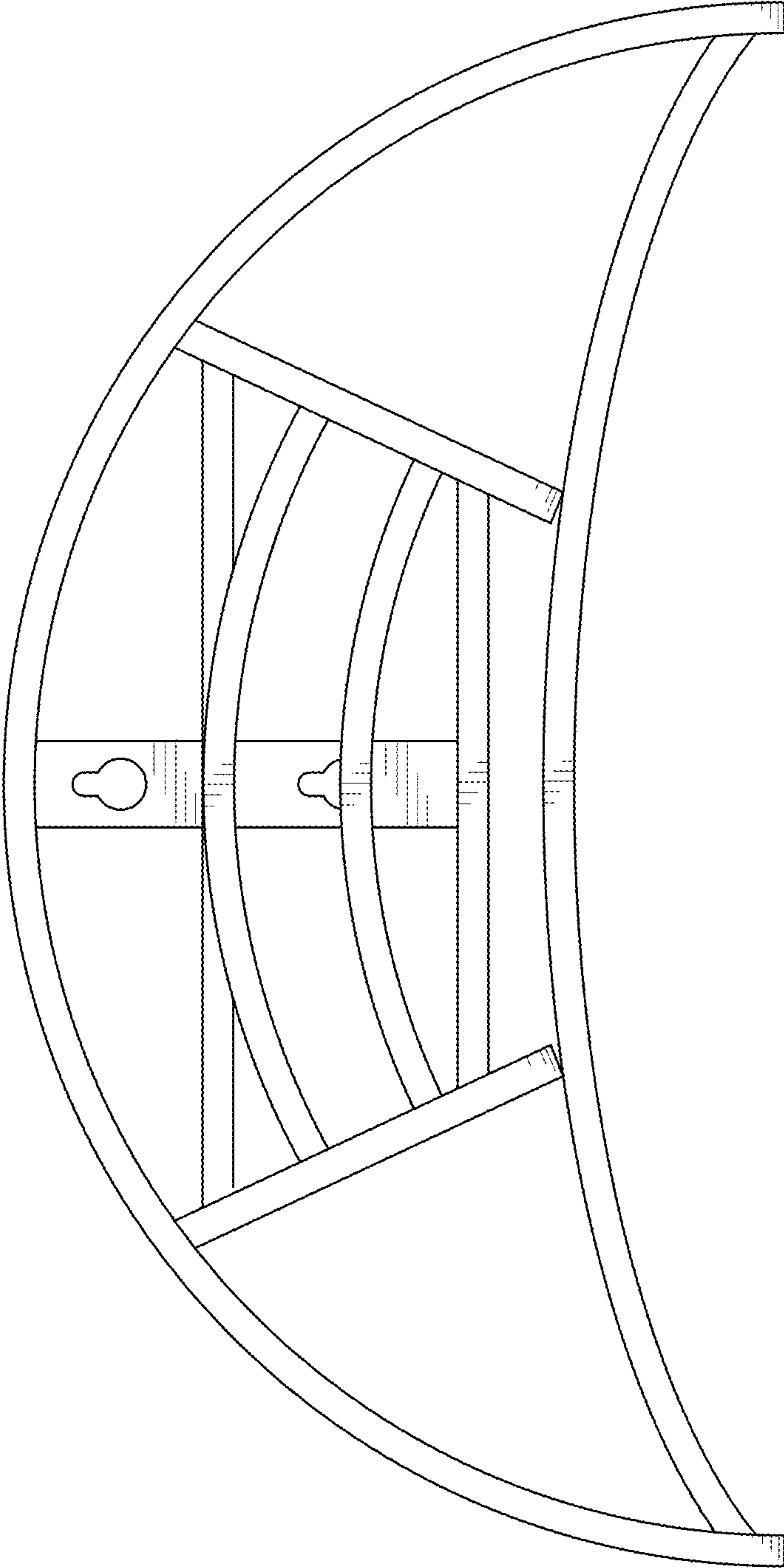


FIG. 2

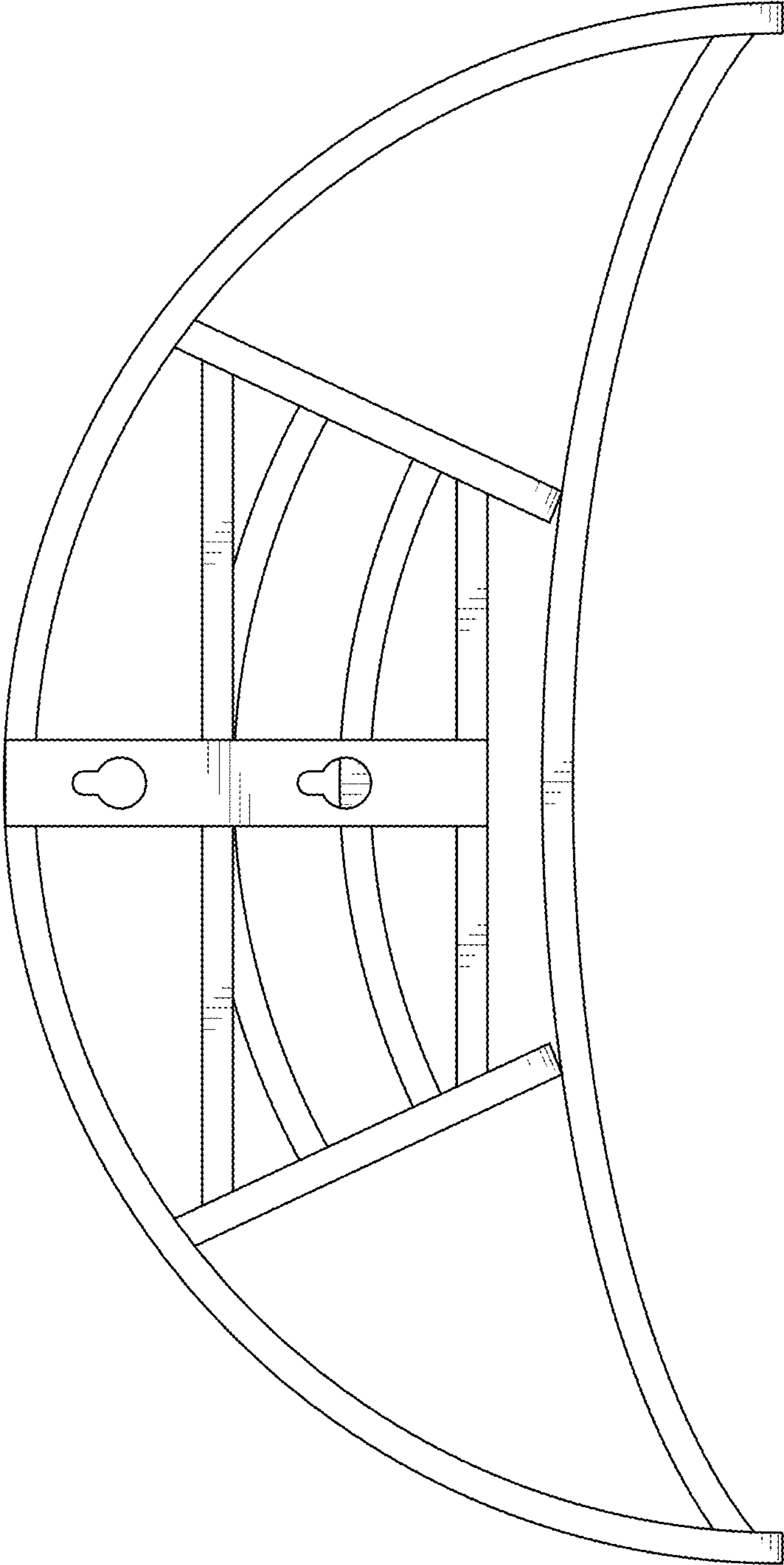


FIG. 3

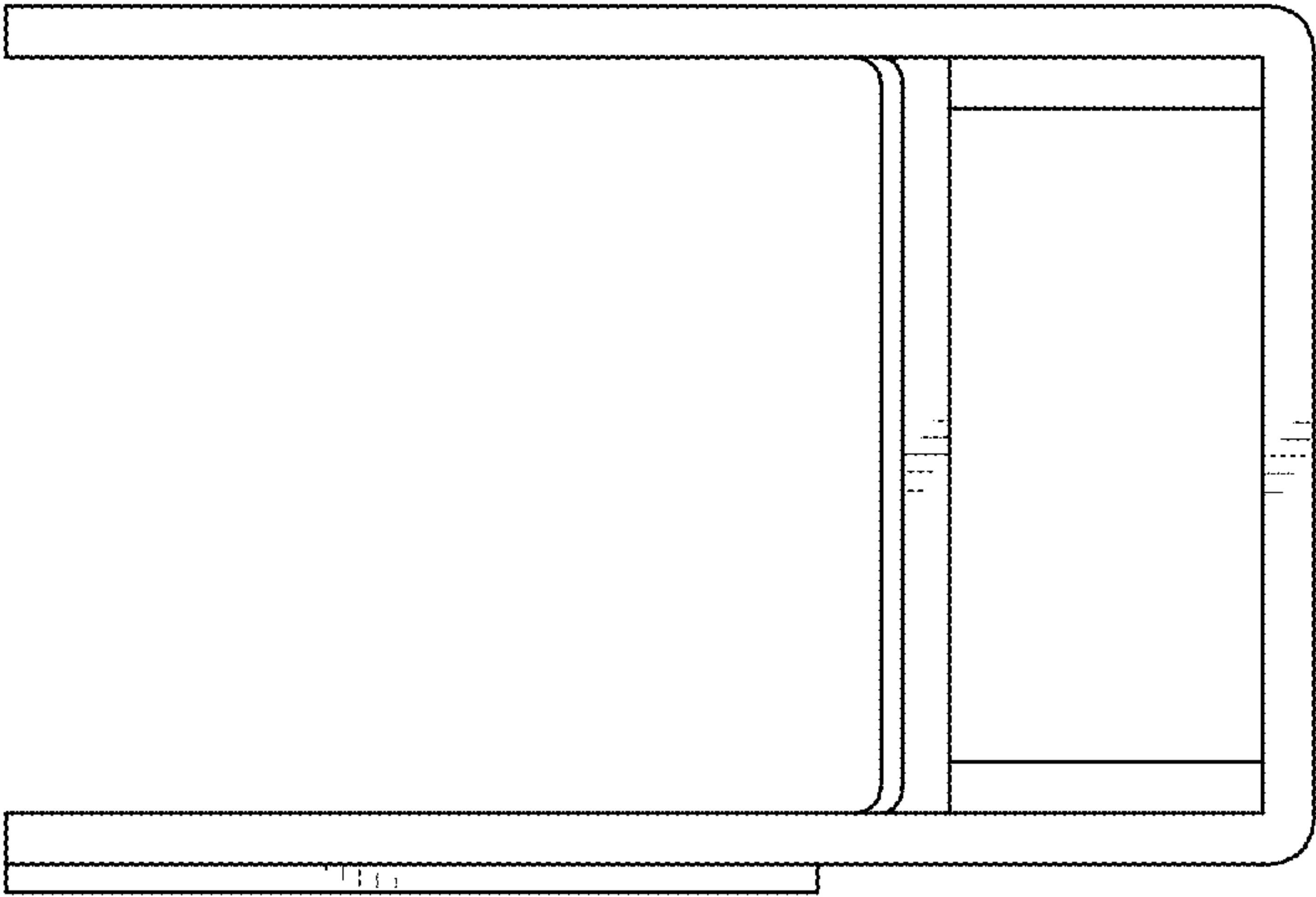


FIG. 4

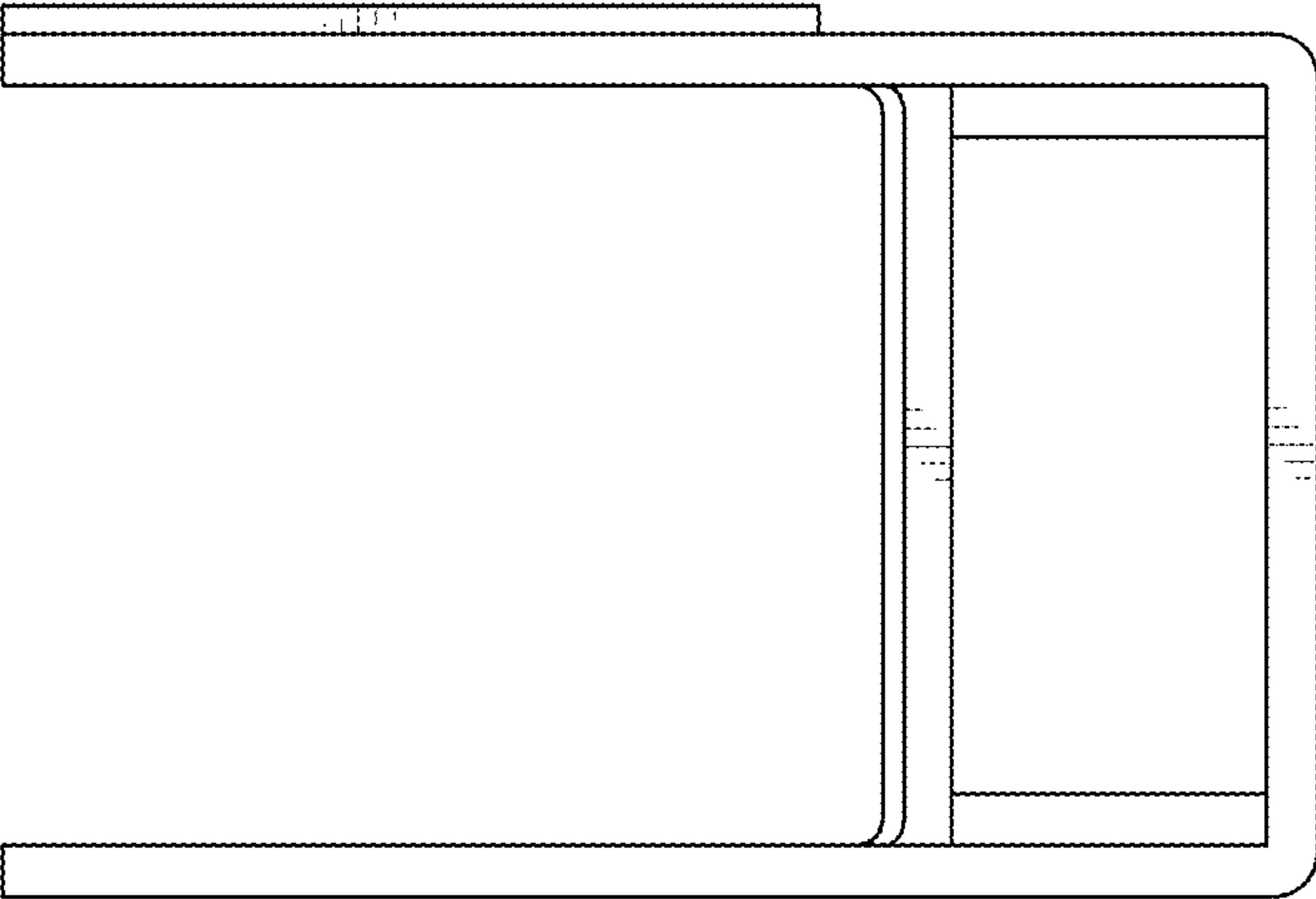


FIG. 5

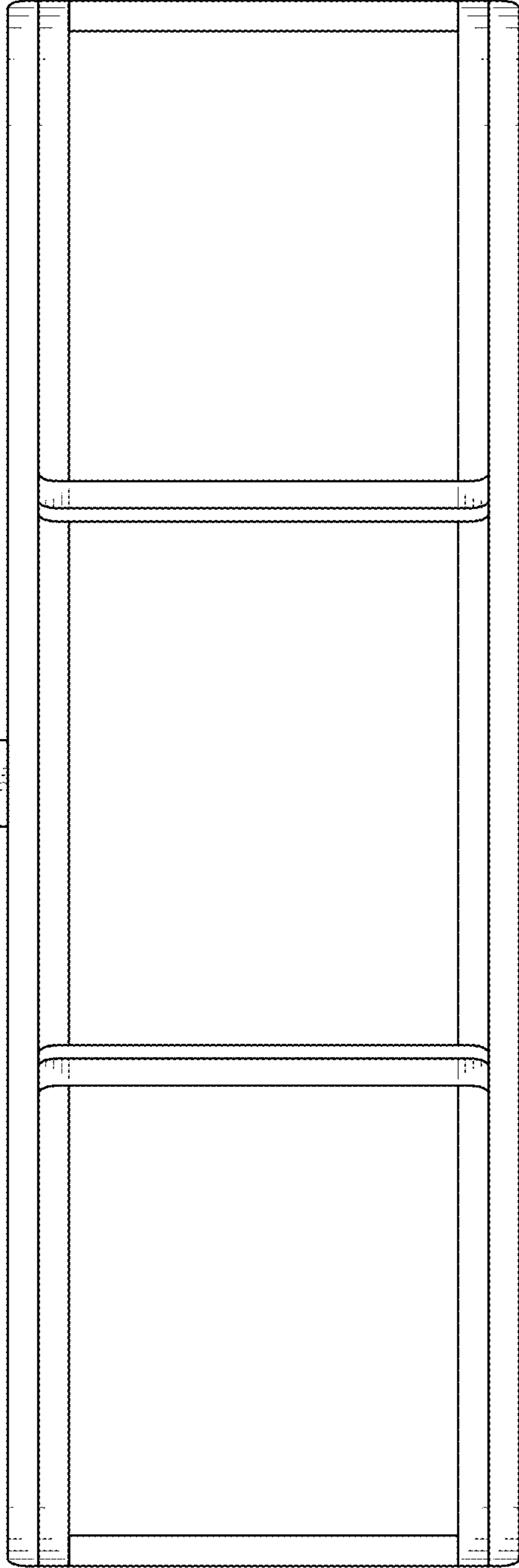


FIG. 6

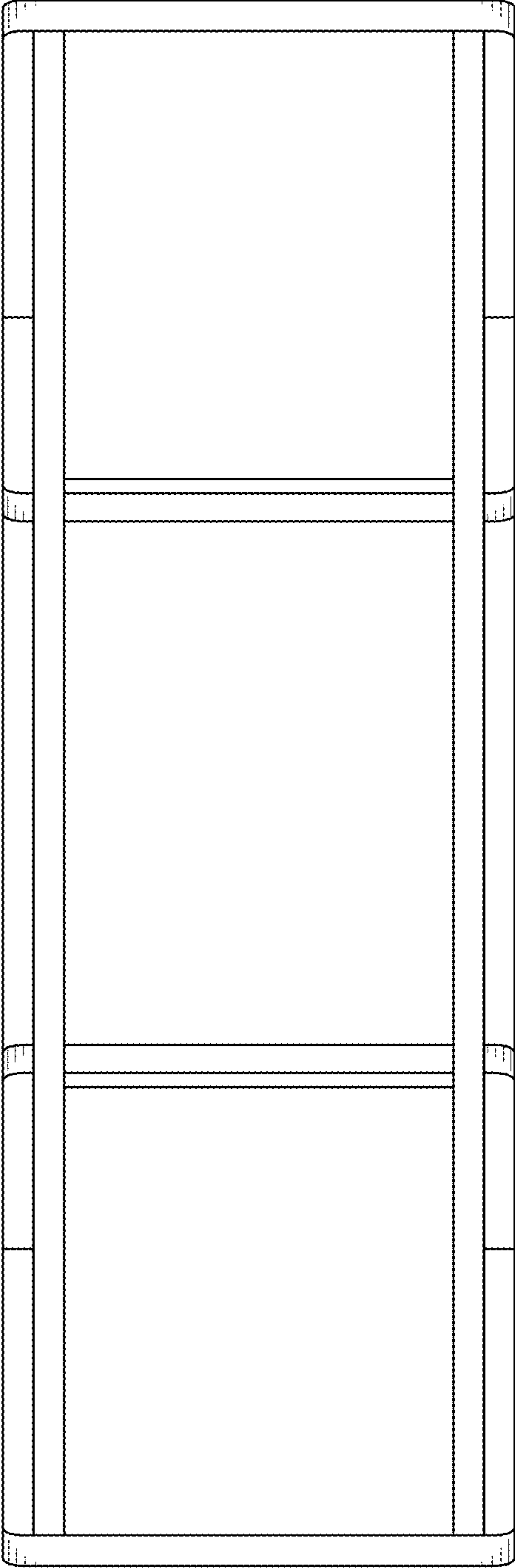


FIG. 7