



US00D954536S

(12) **United States Design Patent**
Momin et al.

(10) **Patent No.:** **US D954,536 S**
(45) **Date of Patent:** **** Jun. 14, 2022**

- (54) **LANYARD ATTACHMENT FOR A RETRACTABLE LANYARD**
- (71) Applicants: **Riyaz Momin**, Richmond, TX (US);
Kiran Karedia, Richmond, TX (US);
Noman Ali, Richmond, TX (US);
Ahmed Maknojia, Richmond, TX (US)
- (72) Inventors: **Riyaz Momin**, Richmond, TX (US);
Kiran Karedia, Richmond, TX (US);
Noman Ali, Richmond, TX (US);
Ahmed Maknojia, Richmond, TX (US)

D574,607 S *	8/2008	Kelleghan	D3/207
D576,248 S *	9/2008	Jianwei	D22/137
D584,937 S *	1/2009	Kovacik	D8/358
D675,009 S *	1/2013	Votel	D3/215
D675,010 S *	1/2013	Votel	D3/215
D675,012 S *	1/2013	Votel	D3/215

(Continued)

FOREIGN PATENT DOCUMENTS

CA	149904 S	6/2013
EP	3366429 A1	8/2018

OTHER PUBLICATIONS

Antec Retractable Lanyard, ritelite.co.uk.

(Continued)

Primary Examiner — Cynthia R Underwood

(74) *Attorney, Agent, or Firm* — Benjamin Aaron Adler

- (**) **Term:** **15 Years**
- (21) **Appl. No.:** **29/786,182**
- (22) **Filed:** **May 28, 2021**
- (51) **LOC (13) Cl.** **09-06**
- (52) **U.S. Cl.**
USPC **D8/356; D3/215**
- (58) **Field of Classification Search**
USPC D8/356; 24/599.9; D30/153; D3/215
CPC G01B 3/1005; B44D 3/38; A01K 27/004
See application file for complete search history.

(57) **CLAIM**

The ornamental design for a lanyard attachment for a retractable lanyard, as shown and described.

DESCRIPTION

FIG. 1 is a front, bottom and right-side perspective view of the lanyard attachment for a retractable lanyard showing our design, in which the front, bottom and left side perspective view is a mirror image of the front, bottom and right-side perspective view.

FIG. 2 is a front view thereof.

FIG. 3 is a back view thereof.

FIG. 4 is a bottom view thereof.

FIG. 5 is a top view thereof; and,

FIG. 6 is a right-side view thereof, in which the left side view is a mirror image of the right-side view.

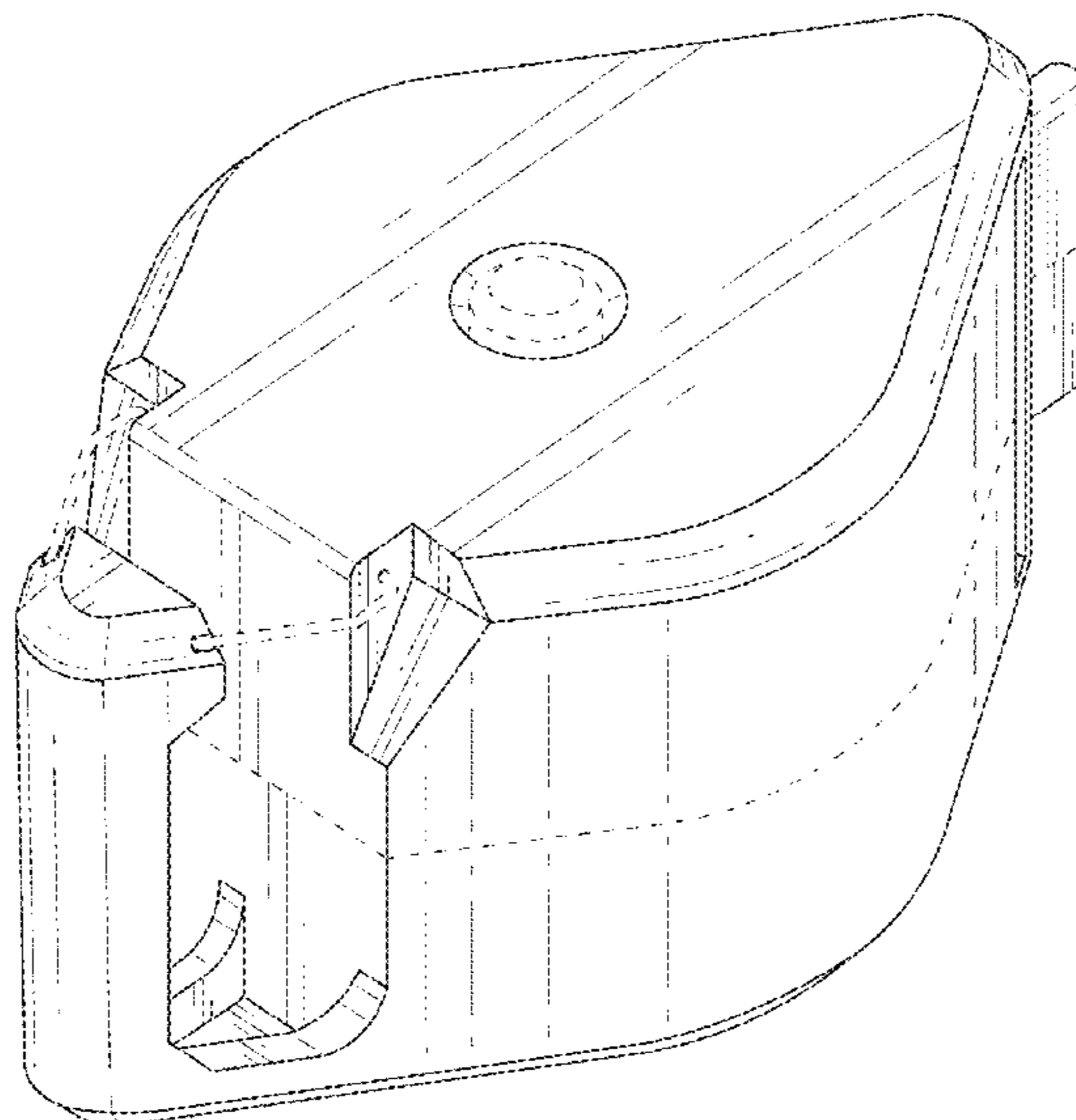
The broken lines shown in the drawings illustrate portions of the lanyard attachment for a retractable lanyard that form no part of the claimed design.

1 Claim, 6 Drawing Sheets

(56) **References Cited**

U.S. PATENT DOCUMENTS

D124,073 S *	12/1940	Gottlieb	D30/153
3,054,573 A *	9/1962	Spencer	G01B 3/1005 242/375.1
4,192,078 A *	3/1980	Lore	B44D 3/38 33/414
D397,286 S	8/1998	Dreyfus et al.		
D400,349 S *	11/1998	Young	D3/208
D504,606 S *	5/2005	Kovacik	D8/358
D511,294 S *	11/2005	Kovacik	D8/358
D521,231 S *	5/2006	Ng	D3/208
7,040,257 B2 *	5/2006	Waxman	A01K 27/004 119/796
7,150,247 B2 *	12/2006	Eulette	A01K 27/004 119/798



(56)

References Cited

U.S. PATENT DOCUMENTS

D675,013 S * 1/2013 Votel D3/215
 D677,188 S 3/2013 Kalbach
 D677,189 S 3/2013 Kalbach
 8,757,532 B2 6/2014 Votel et al.
 D771,324 S * 11/2016 Churchill D30/153
 D787,921 S * 5/2017 Vanttilä D8/359
 D792,756 S * 7/2017 Vanttila D8/356
 D807,730 S * 1/2018 Wu D8/356
 9,961,882 B2 * 5/2018 Woods A01K 27/004
 D819,429 S * 6/2018 Newing D8/356
 D819,957 S * 6/2018 Fina D3/207
 D822,916 S * 7/2018 Cox D30/153
 D823,559 S * 7/2018 Cox D30/153
 D831,467 S * 10/2018 Crichton D8/356
 D833,266 S * 11/2018 Barbara D8/396
 D839,662 S * 2/2019 Jacobsen D7/391
 D841,796 S * 2/2019 Freeland D23/382
 10,231,439 B2 * 3/2019 Woods A01K 27/004
 D845,558 S * 4/2019 Harris, II A01K 27/004
 D30/153

10,362,767 B2 * 7/2019 Blaylock A01K 27/004
 D856,610 S * 8/2019 Jew D30/160
 D857,484 S * 8/2019 Altamura D8/356
 D868,566 S 12/2019 Ellard
 D890,020 S 7/2020 Burke
 D890,021 S 7/2020 Burke
 2003/0038209 A1 * 2/2003 Remecky B65H 75/143
 242/610.6
 2012/0153064 A1 6/2012 Votel et al.
 2014/0013544 A1 1/2014 Moreau et al.

OTHER PUBLICATIONS

Frontline RPG50 Lanyard. amazon.com.
 Retractable Badge Reel. amazon.com.
 Breakaway Polyester Lanyard Badge Reel Combo. marcopromos.com.
 Heavy Duty Retractable Ratchit Keychain Tether Reel. specialistid.com.
 Heavy duty retractable badge reel with Claw Clasp and Clip. walmart.com.

* cited by examiner

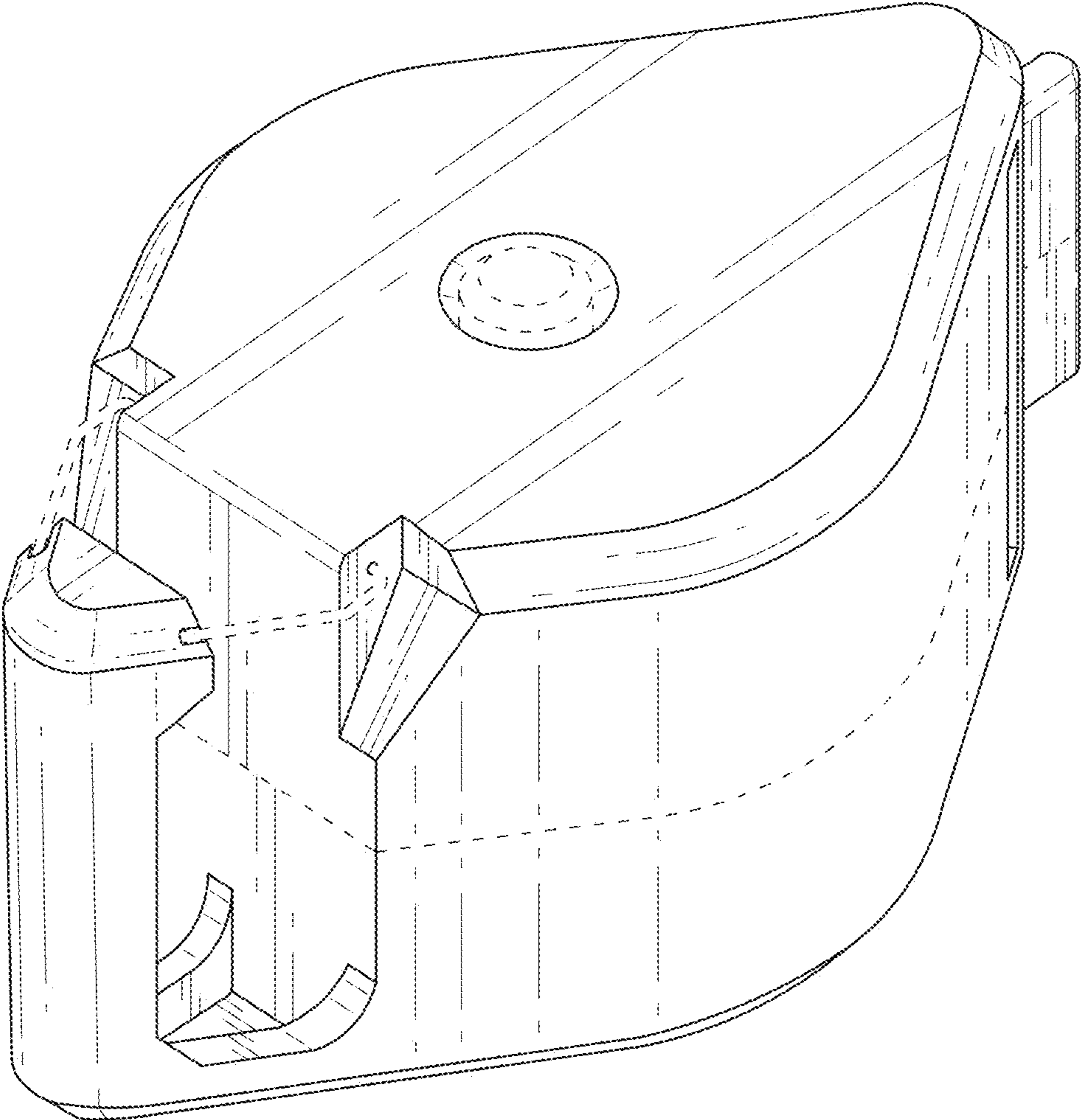


FIG. 1

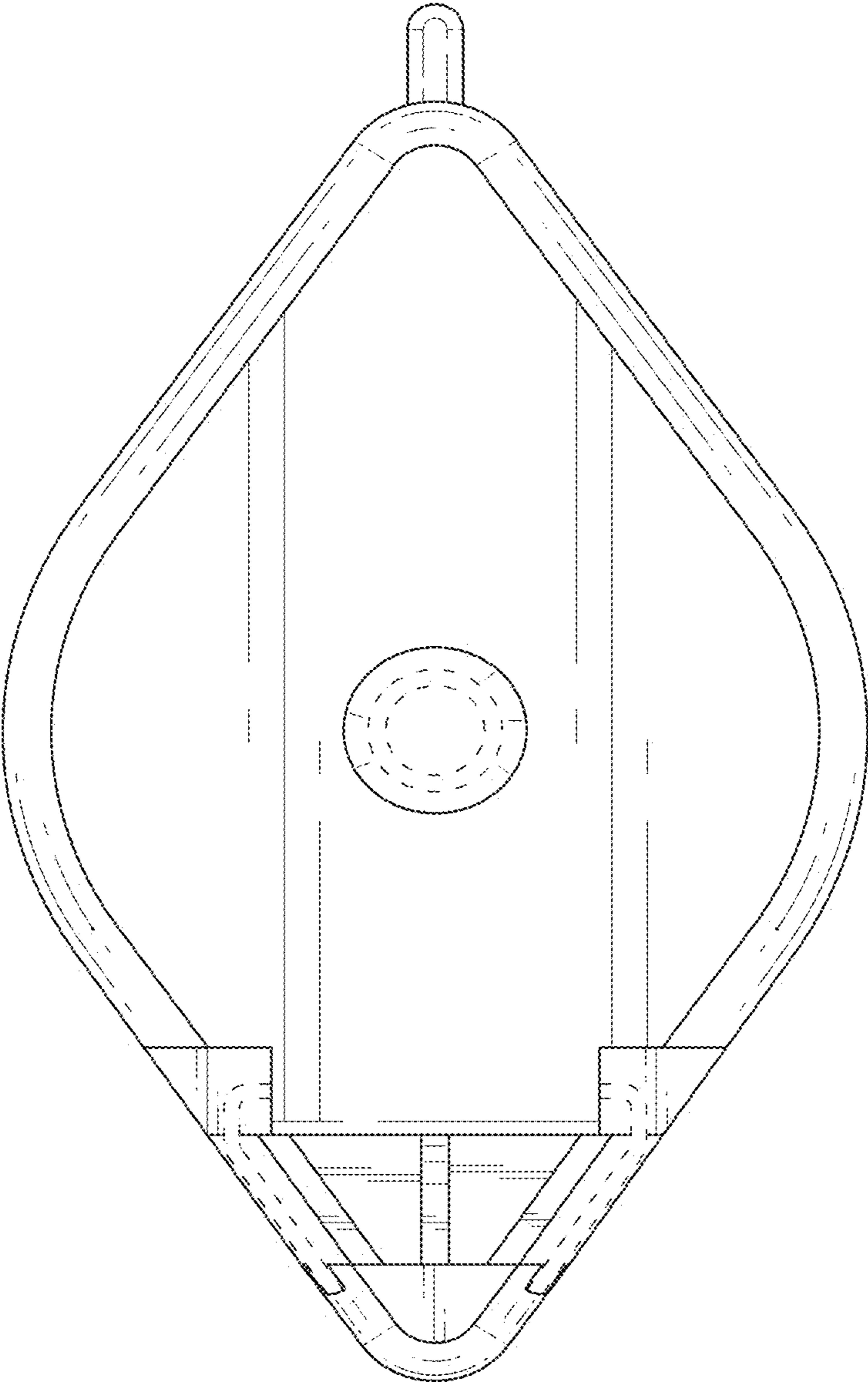


FIG. 2

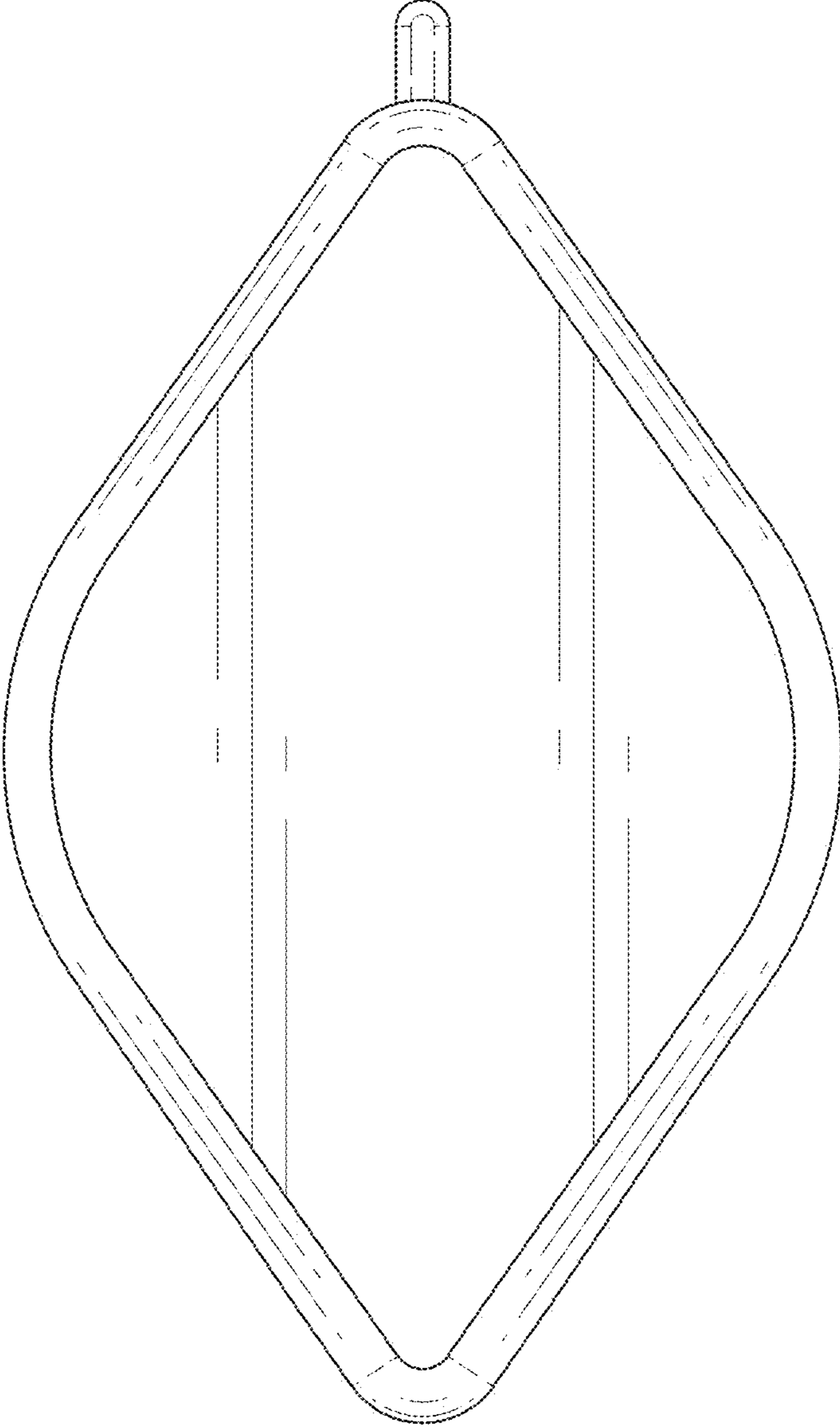


FIG. 3

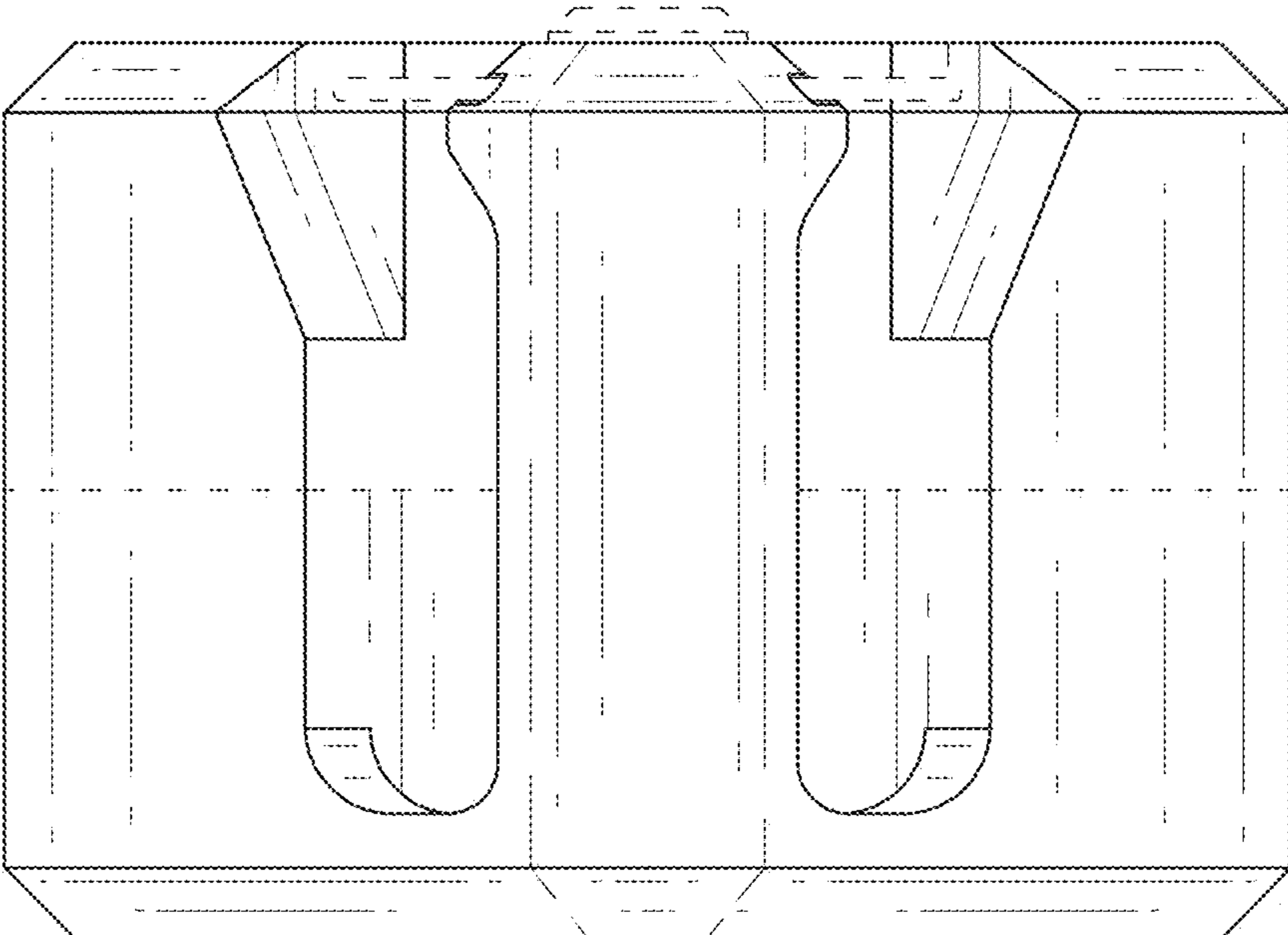


FIG. 4

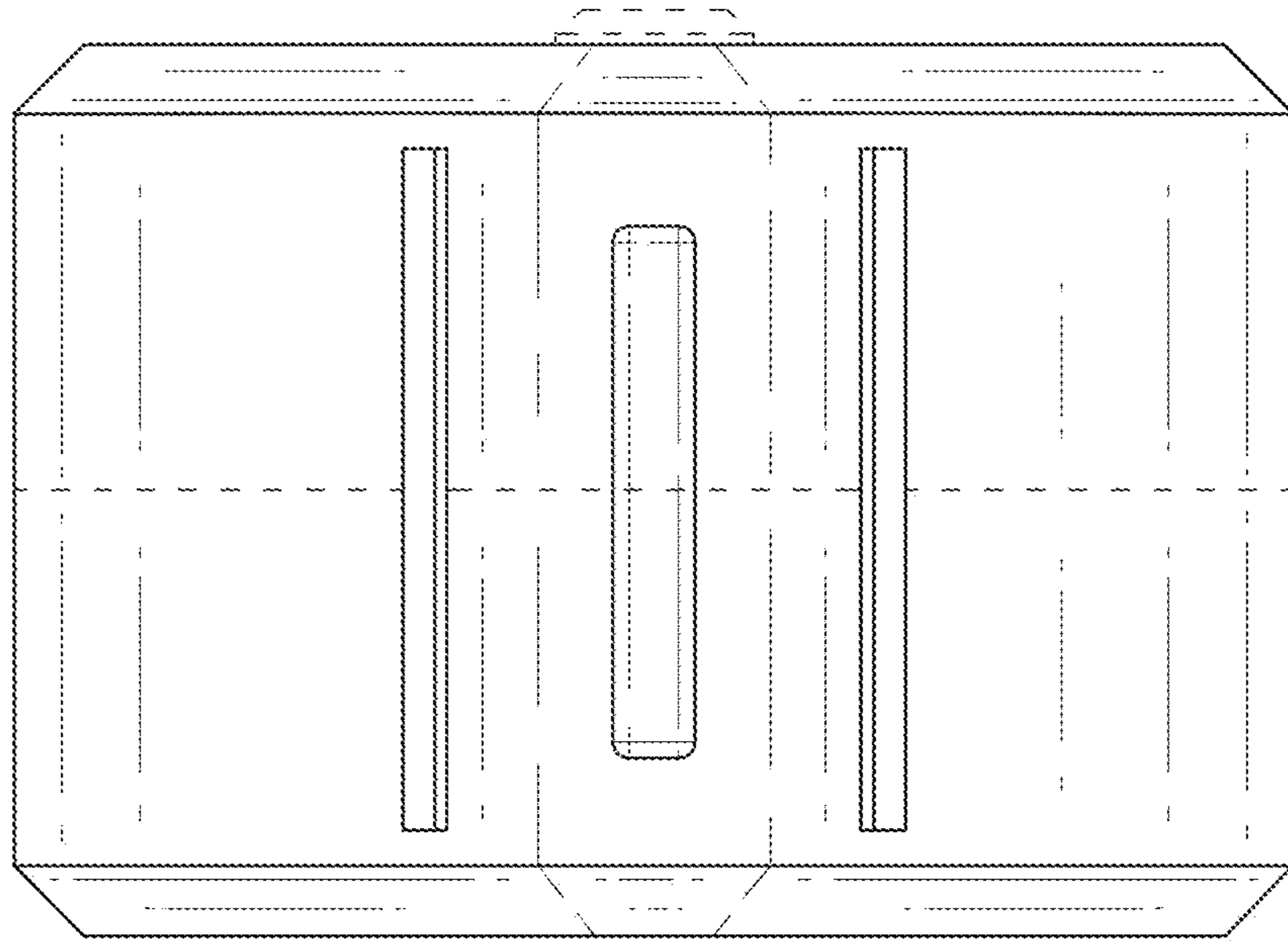


FIG. 5

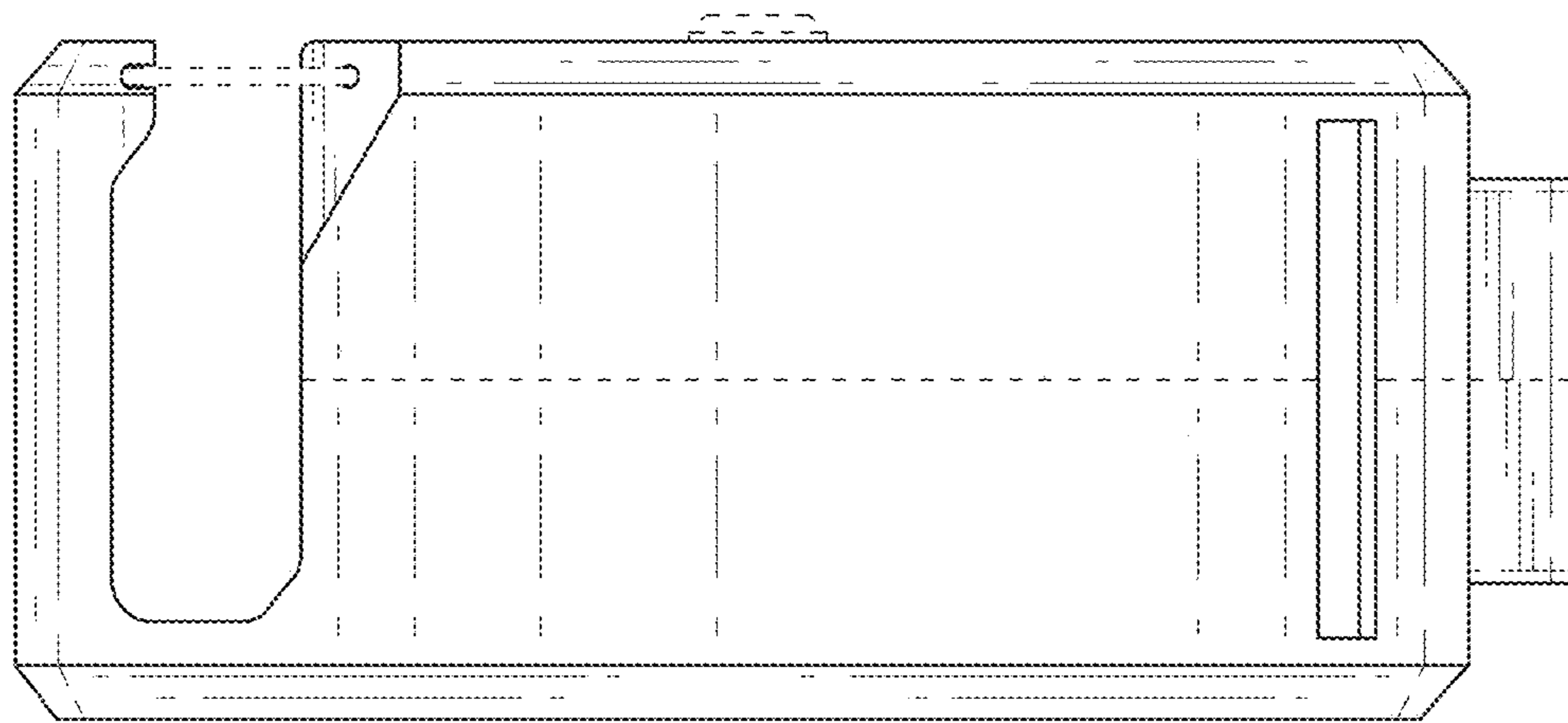


FIG. 6