



US00D954534S

(12) **United States Design Patent** (10) **Patent No.:** **US D954,534 S**
Porter et al. (45) **Date of Patent:** **** Jun. 14, 2022**

(54) **CLIP FOR A FIRE COLLAR**

(56) **References Cited**

(71) Applicants: **PROMAT AUSTRALIA PTY LTD**,
Adelaide (AU); **ETEX BUILDING**
PERFORMANCE GMBH, Linz (AT)

U.S. PATENT DOCUMENTS

D657,658 S 4/2012 Jones
D863,040 S 10/2019 Dedios-Shirley et al.
D865,487 S 11/2019 Dedios-Shirley et al.
D902,013 S * 11/2020 Porter D8/354

(72) Inventors: **Raymond Porter**, Stirling (AU);
Edwin Gauch, Wilhering (AT)

OTHER PUBLICATIONS

(73) Assignees: **Promat Australia Pty Ltd**, Adelaide
(AU); **Etex Building Performance**
GmbH, Linz (AT)

CP643 by HILTI, posted at radwell.com, posting date not given,
[online], [site visited Dec. 15, 2021]. Available from Internet, URL:
[https://www.radwell.com/Shop?source=GoogleShopping](https://www.radwell.com/Shop?source=GoogleShopping&IgnoreRedirect=true&ItemSingleId=97285741)
&IgnoreRedirect=true&ItemSingleId=97285741 (Year: 2021).*

(**) Term: **15 Years**

(Continued)

(21) Appl. No.: **29/754,182**

Primary Examiner — Maria J. Edwards

(22) Filed: **Oct. 7, 2020**

(74) *Attorney, Agent, or Firm* — Dilworth & Barrese,
LLP

(57) **CLAIM**

The ornamental design for a clip for a fire collar, as shown
and described.

Related U.S. Application Data

DESCRIPTION

(62) Division of application No. 29/674,898, filed on Dec.
27, 2018, now Pat. No. Des. 902,013.

FIG. 1 is a left front perspective view from above of a clip
for a fire collar showing our new design;
FIG. 2 is a left side elevational view of the clip for a fire
collar of FIG. 1;
FIG. 3 is a rear elevational view of the clip for a fire collar
of FIGS. 1 and 2;
FIG. 4 is a right side elevational view of the clip for a fire
collar of FIGS. 1-3;
FIG. 5 is a bottom plan view of the clip for a fire collar of
FIGS. 1-4;
FIG. 6 is a front elevational view of the clip for a fire collar
of FIGS. 1-5; and,
FIG. 7 is a right rear perspective view from above of the clip
for a fire collar of FIGS. 1-6.

(30) **Foreign Application Priority Data**

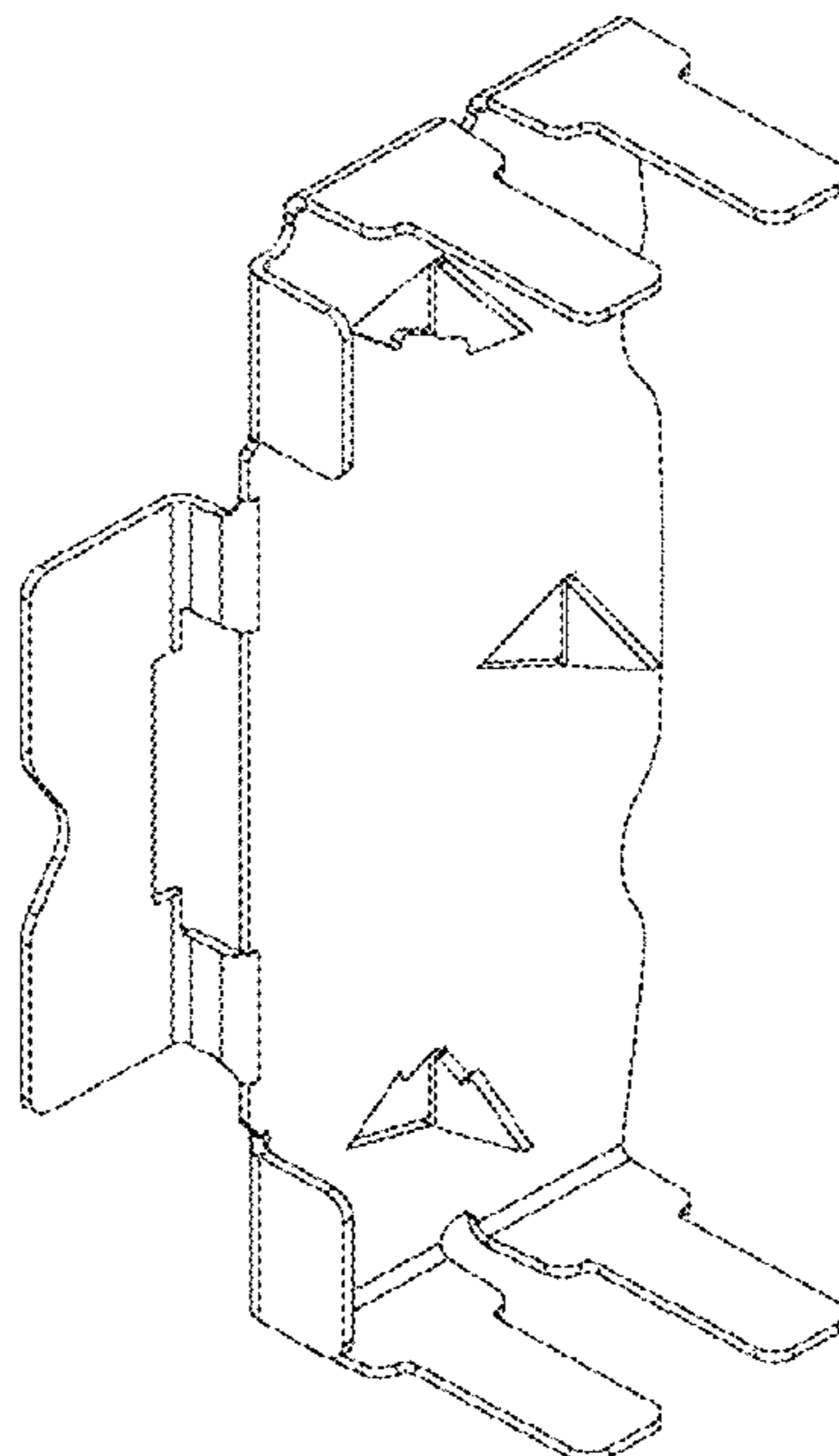
Jul. 3, 2018 (EM) 005379500-0001
Jul. 3, 2018 (EM) 005379500-0002
Jul. 3, 2018 (EM) 005379500-0003
Jul. 3, 2018 (EM) 005379500-0004

(51) **LOC (13) Cl.** **08-05**

(52) **U.S. Cl.**
USPC **D8/354**

(58) **Field of Classification Search**
USPC D8/354
CPC A47B 45/00; F16B 2/005
See application file for complete search history.

1 Claim, 7 Drawing Sheets



(56)

References Cited

OTHER PUBLICATIONS

Fire Stop 1.5 Pipe Collar, posted at [centralvacuumdirect.com](https://www.centralvacuumdirect.com), posting date not given, [online], [site visited Dec. 15, 2021]. Available from Internet, URL: <https://www.centralvacuumdirect.com/Fire-Stop-1-5-Pipe-Collar-p/025319.htm> (Year: 2021).*

3M Fire Barrier Restricting Collar, posted at [grainger.com](https://www.grainger.com), posting date not given, [online], [site visited Jul. 1, 2020]. Available from Internet, URL: <https://www.grainger.com/product/3M-Fire-Barrier-Restricting-Collar-2JDF7> (Year: 2020).

PROMASTOP UniCollar, posted at [promat-ap.com](https://www.promat-ap.com), posting date not given, [online], [site visited Jul. 1, 2020]. Available from Internet, URL: <https://www.promat-ap.com/en/products/fire-stopping/promastop-unicollar> (Year: 2020).

* cited by examiner

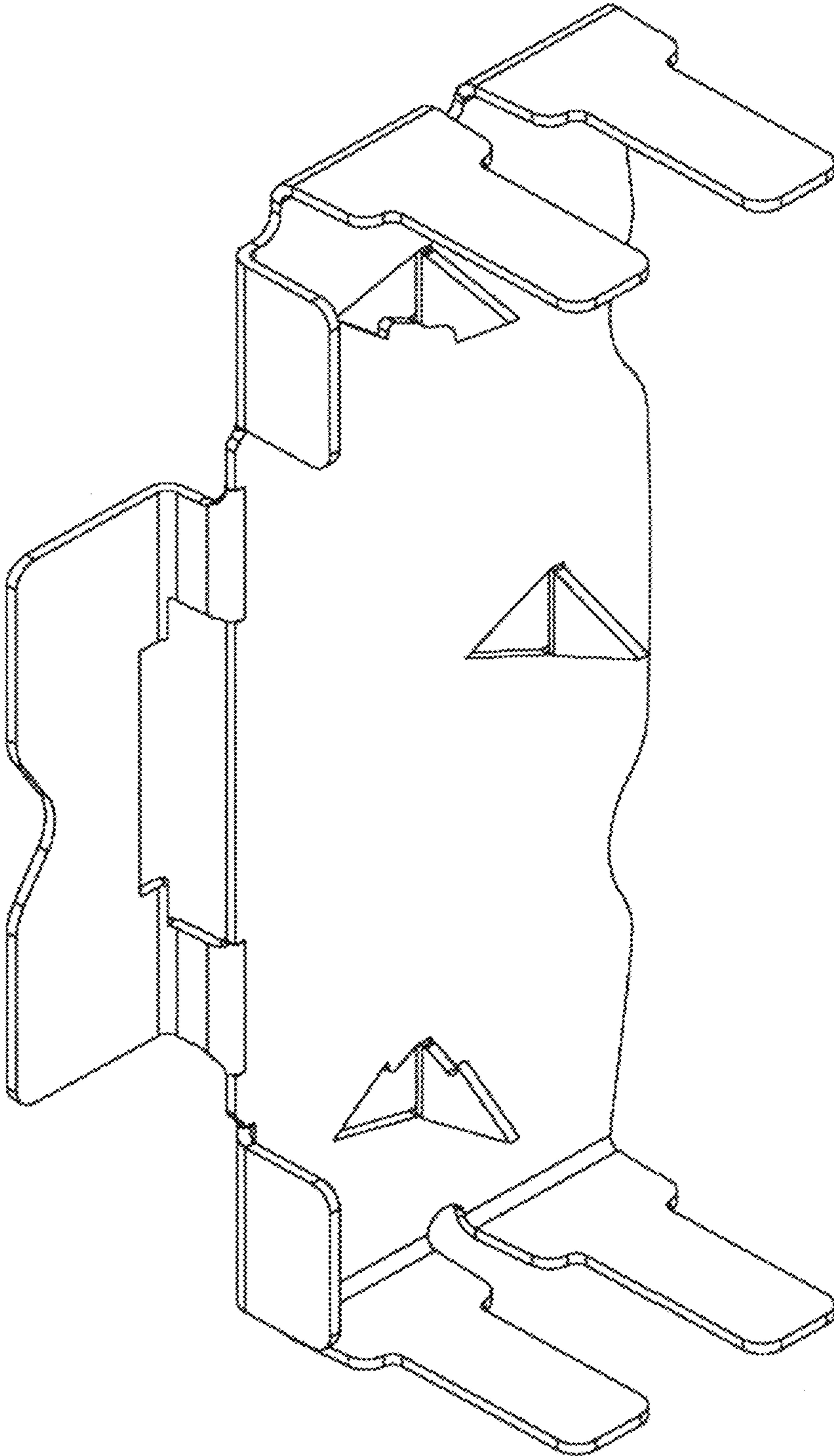


Fig. 1

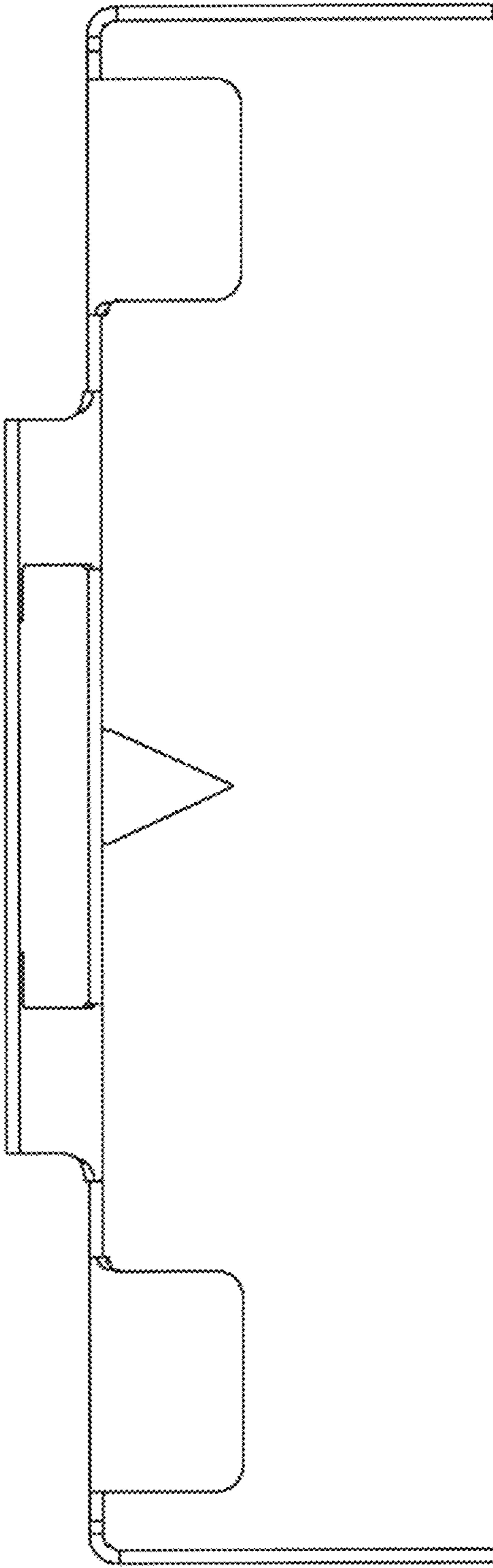


Fig. 2

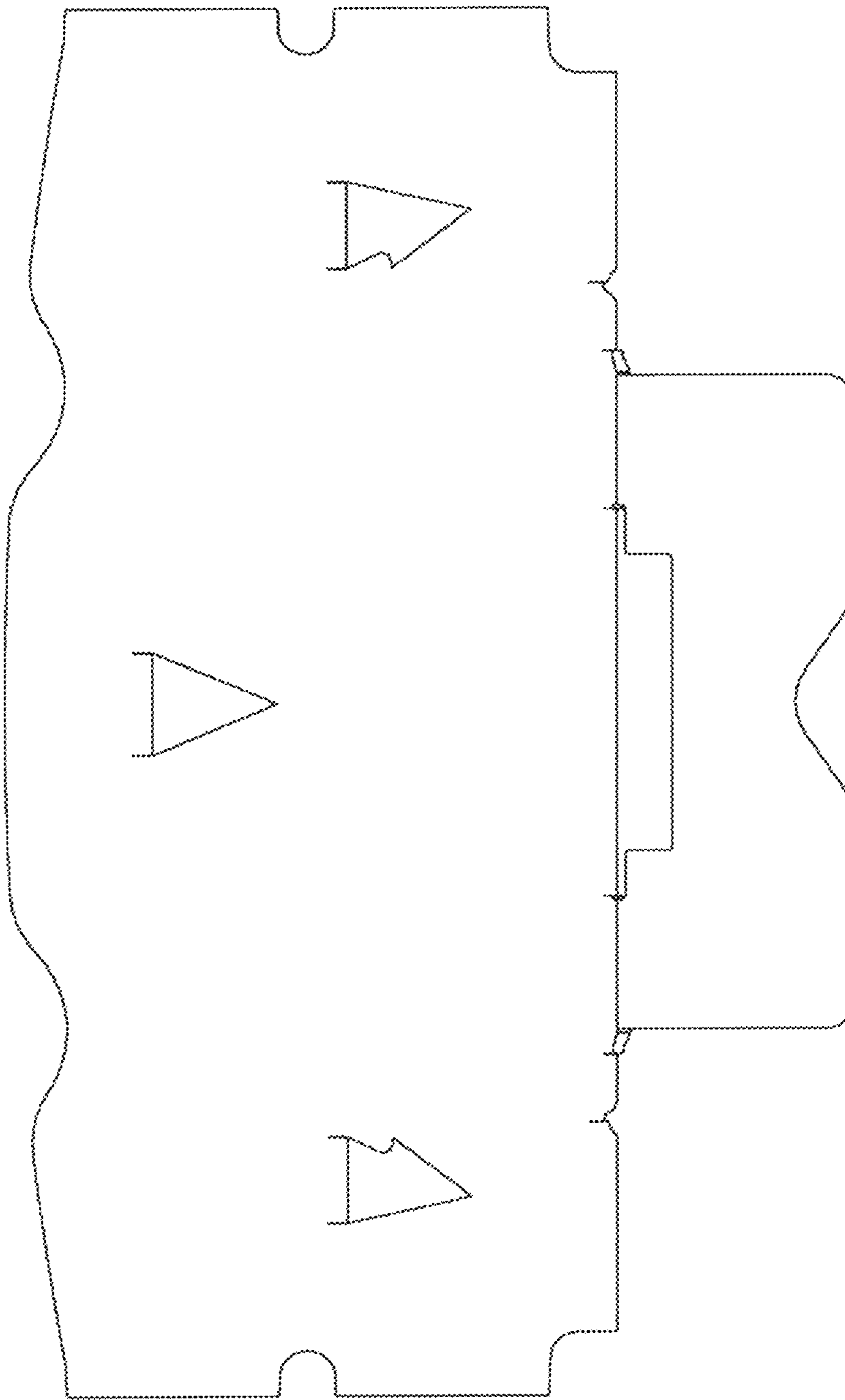


Fig. 3

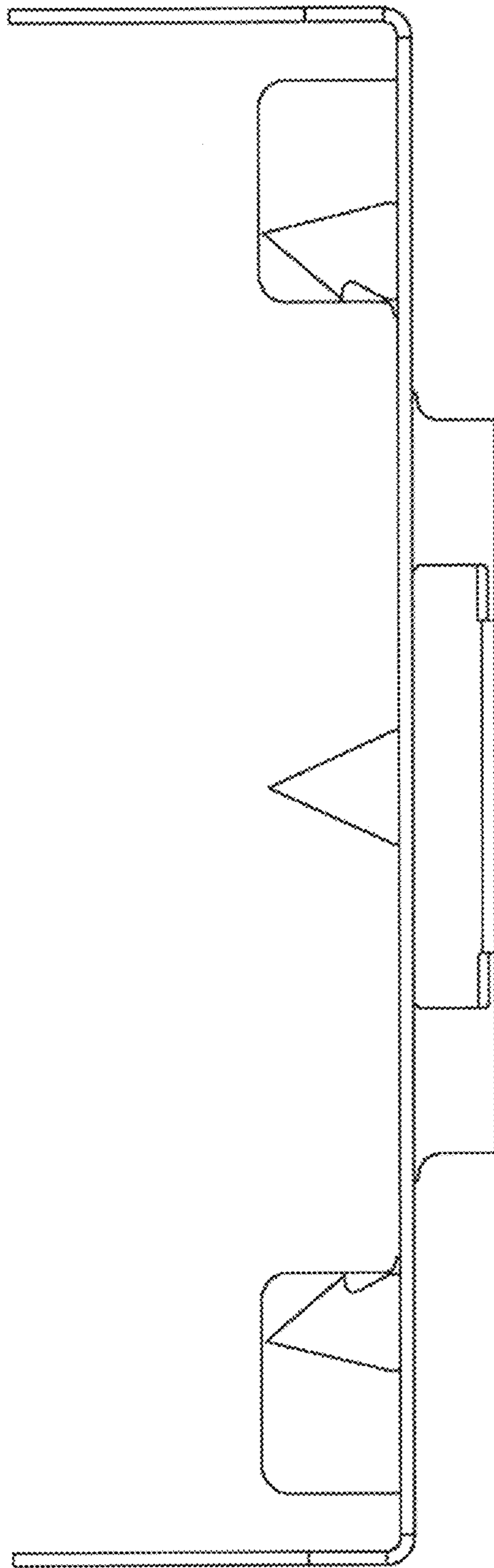


Fig. 4

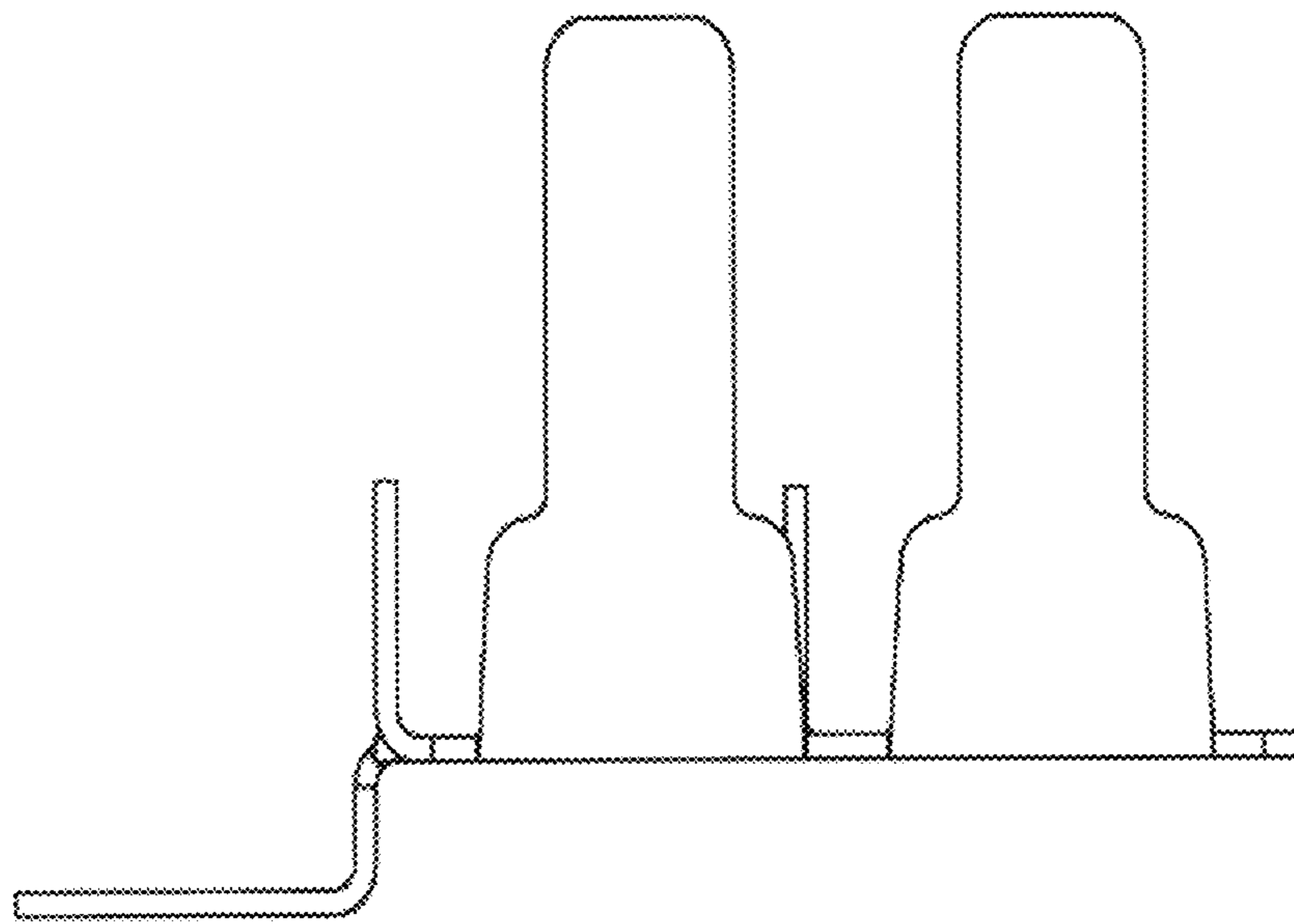


Fig. 5

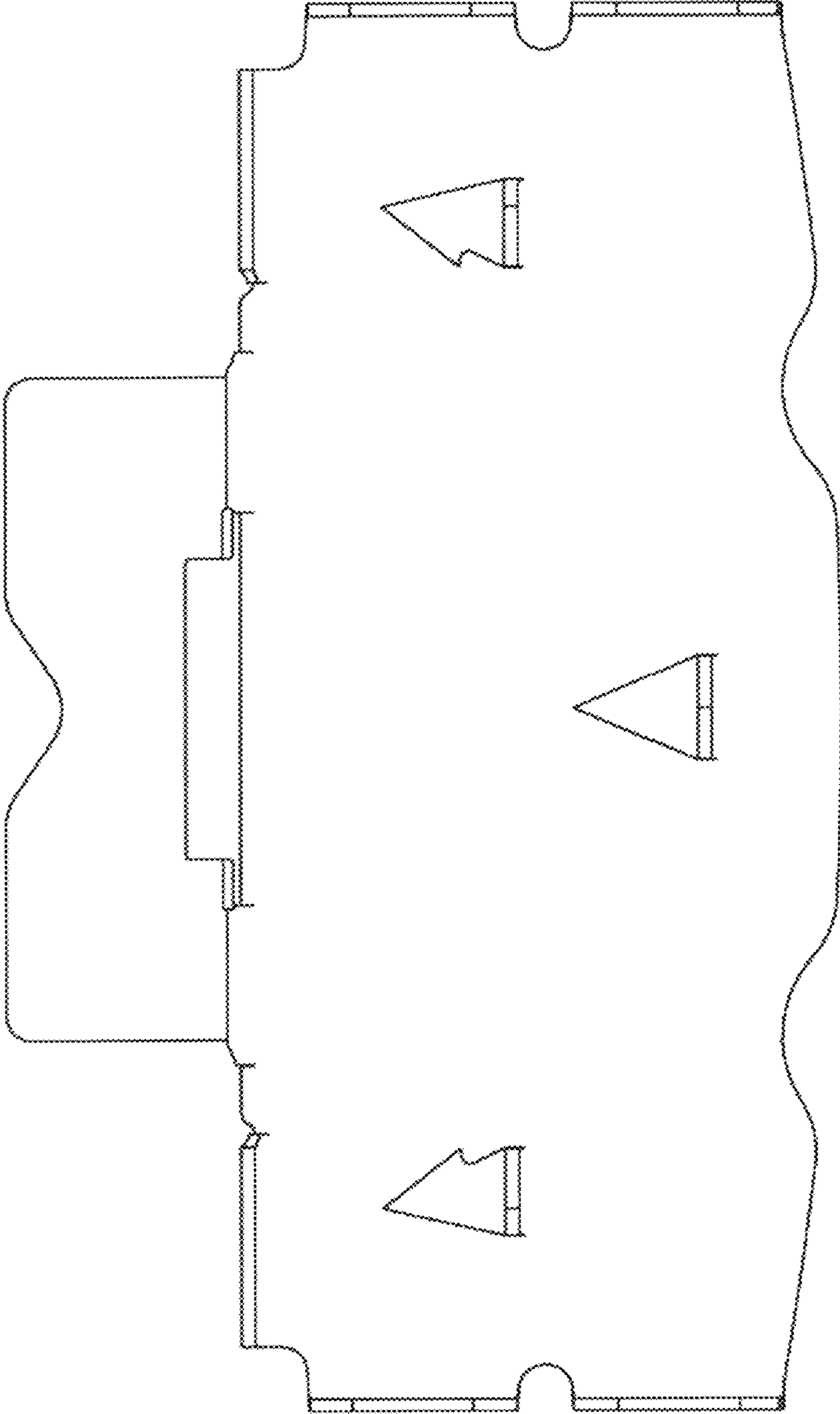


Fig. 6

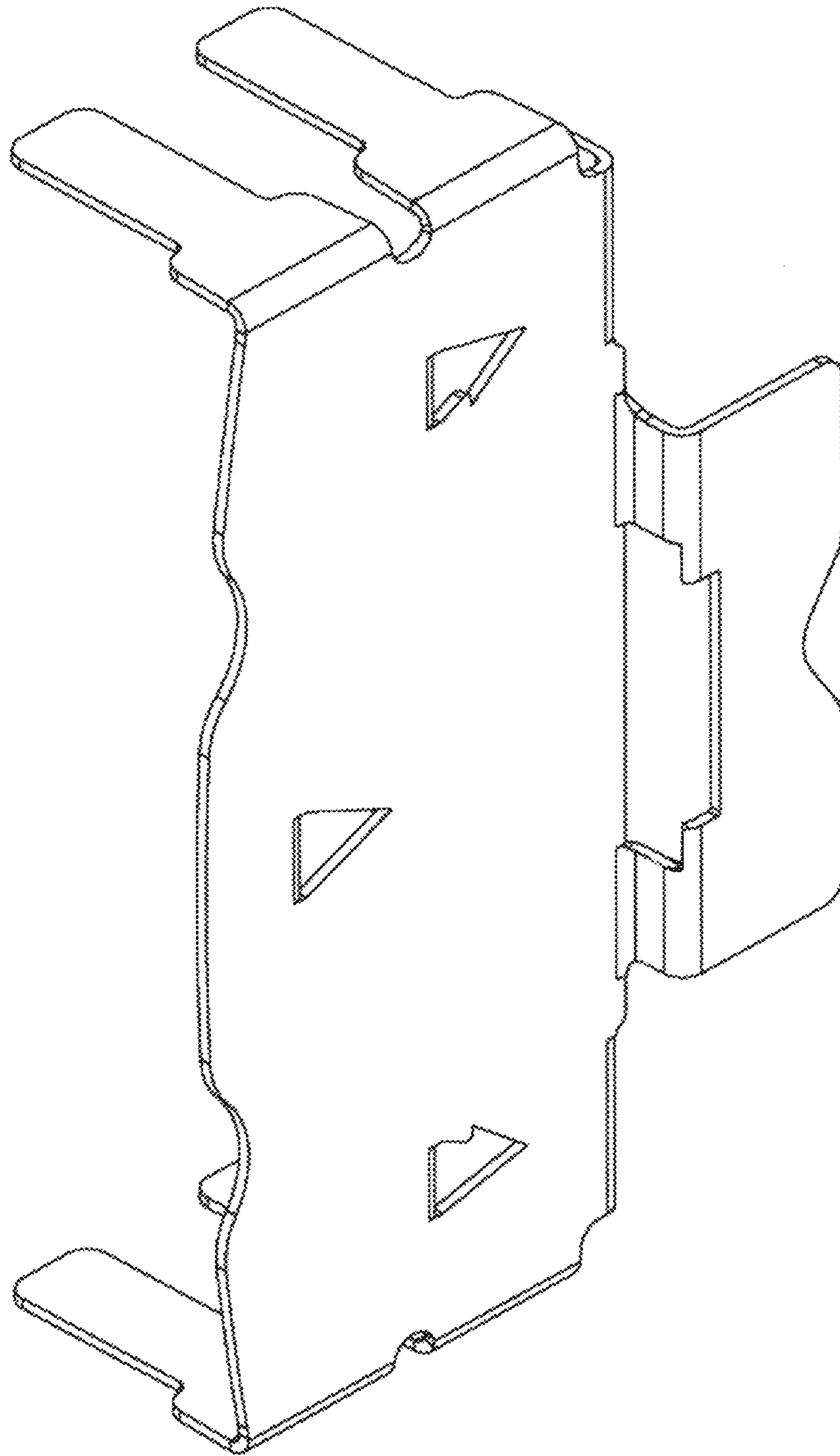


Fig. 7