



US00D954533S

(12) **United States Design Patent**
Wang et al.

(10) **Patent No.:** **US D954,533 S**
(45) **Date of Patent:** **** Jun. 14, 2022**

(54) **WALL MOUNT CONNECTING PORT FOR ELECTRONIC DEVICE**

(71) Applicants: **ShenZhen Hongfei Precision Technology Co., Ltd.**, Shenzhen (CN); **HON HAI PRECISION INDUSTRY CO., LTD.**, New Taipei (TW)

(72) Inventors: **Wen-Pin Wang**, New Taipei (TW); **Yao-Shih Chung**, New Taipei (TW); **Shih-Hong Fu**, New Taipei (TW)

(73) Assignees: **ShenZhen Hongfei Precision Technology Co., Ltd.**, Shenzhen (CN); **HON HAI PRECISION INDUSTRY CO., LTD.**, New Taipei (TW)

(**) Term: **15 Years**

(21) Appl. No.: **29/676,018**

(22) Filed: **Jan. 8, 2019**

(51) **LOC (13) Cl.** **11-05**

(52) **U.S. Cl.**
USPC **D8/352**

(58) **Field of Classification Search**
USPC D8/349, 352, 354, 367, 382;
D13/153-157; D14/204, 209, 216, 219
CPC G06F 3/0412; G06F 3/016; G06F 3/0488;
G06F 3/011; G06F 3/038; G06F 3/03543;
G06F 3/0338; G06F 3/0202; G06F
3/0219; G06F 3/0213; G06F 3/1616;
G06F 3/023; G06F 3/04883; G02F
1/13338; B65H 57/16; B63B 21/045;
B60D 1/18; B65D 63/109; E02D 5/803;
Y10T 24/3918
See application file for complete search history.

(56) **References Cited**

U.S. PATENT DOCUMENTS

D357,480 S * 4/1995 Lumsden D14/224
D427,053 S * 6/2000 Nelson D8/352

D651,588 S * 1/2012 Chen D14/216
D699,545 S * 2/2014 Ackerman D8/349
D755,038 S * 5/2016 Bolton D8/352
D791,395 S * 7/2017 Rashidi Doust D26/113
D814,267 S * 4/2018 Verbowski D8/354
D819,612 S * 6/2018 Trachtenberg D14/239
D855,048 S * 7/2019 Kim D14/253

(Continued)

Primary Examiner — Richard Kearney

Assistant Examiner — Benjamin M Weeks

(74) *Attorney, Agent, or Firm* — ScienBiziP, P.C.

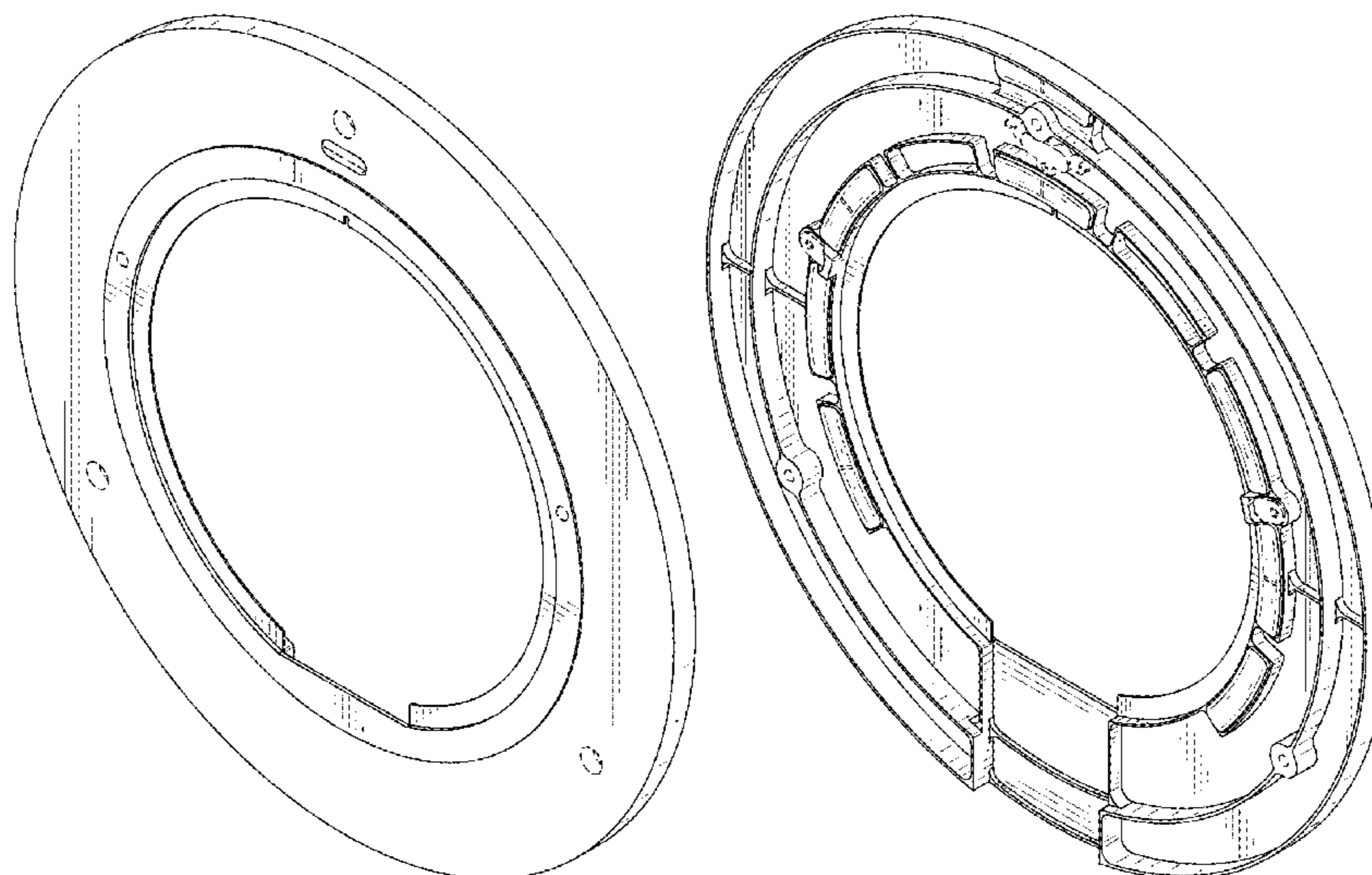
(57) **CLAIM**

The ornamental design for a wall mount connecting port for electronic device, as shown and described.

DESCRIPTION

FIG. 1 is a front perspective view of a wall mount connecting port for an electronic device showing the claimed design;
FIG. 2 is a rear perspective view of the wall mount connecting port;
FIG. 3 is a front plan view of the wall mount connecting port;
FIG. 4 is a rear plan view of the wall mount connecting port;
FIG. 5 is a left side elevation view of the wall mount connecting port;
FIG. 6 is a right side elevation view of the wall mount connecting port;
FIG. 7 is a top view of the wall mount connecting port;
FIG. 8 is a bottom view of the wall mount connecting port;
and,
FIG. 9 is a front perspective view of the wall mount connecting port as it appears when mounted on a wall.
The broken lines in FIGS. 1-9 depict portions of the article and form no part of the claimed design. The broken lines in FIG. 9 depict environmental structure and form no part of the claimed design.

1 Claim, 9 Drawing Sheets



(56)

References Cited

U.S. PATENT DOCUMENTS

D866,294 S	*	11/2019	Fechner	D8/352
D888,066 S	*	6/2020	Wang	D14/451
D920,767 S	*	6/2021	Lee	D8/352
D923,461 S	*	6/2021	Harju	D8/354

* cited by examiner

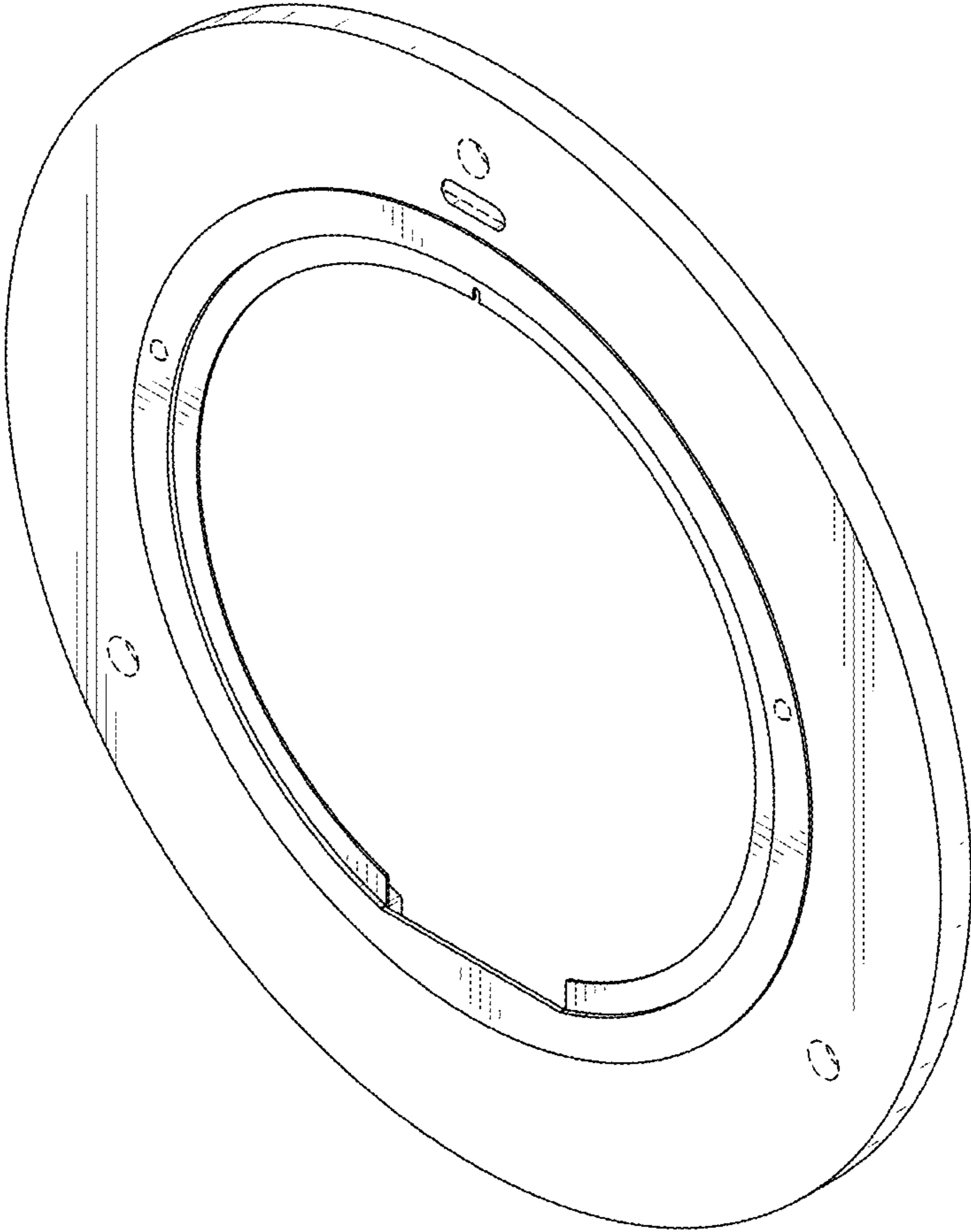


FIG. 1

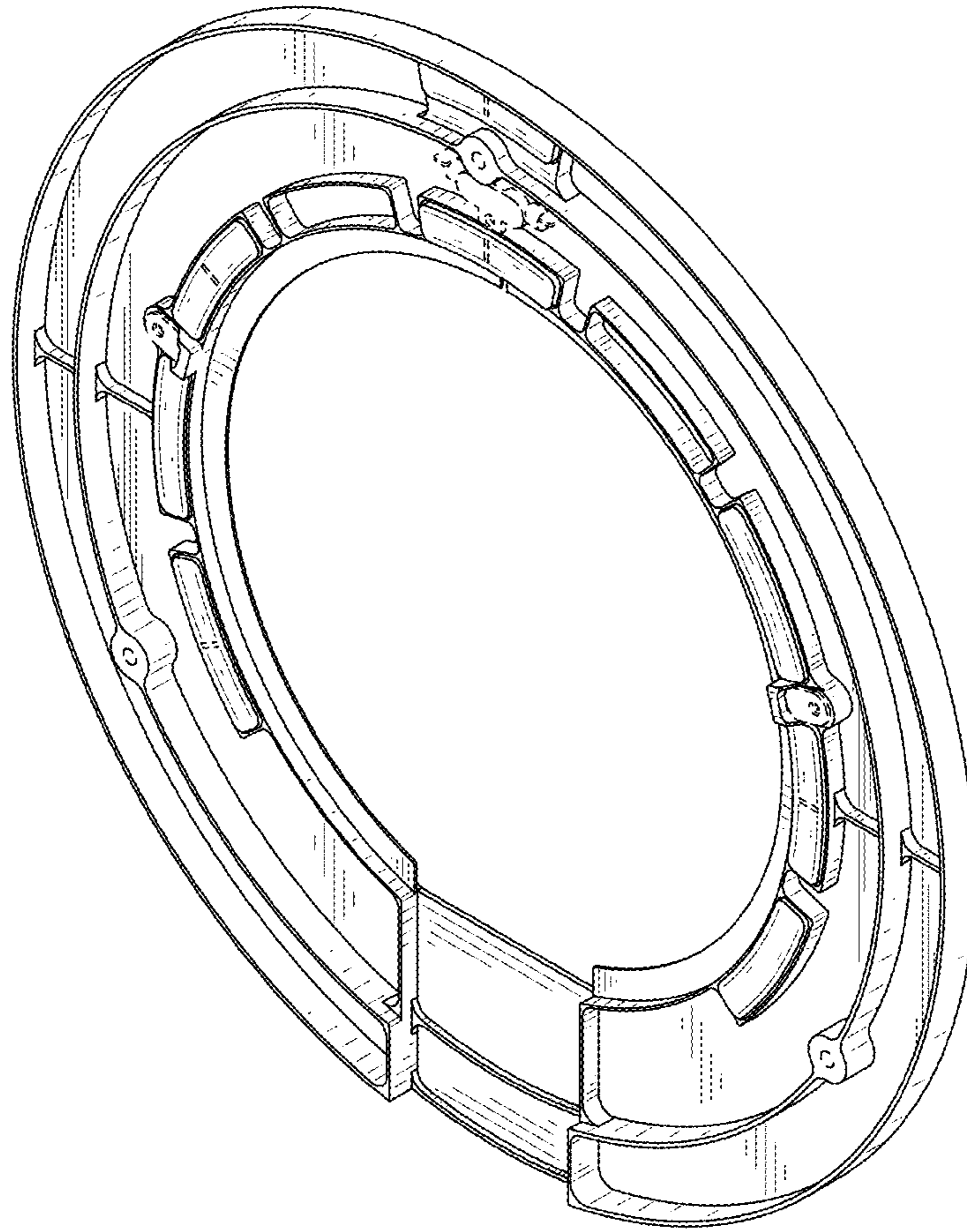


FIG. 2

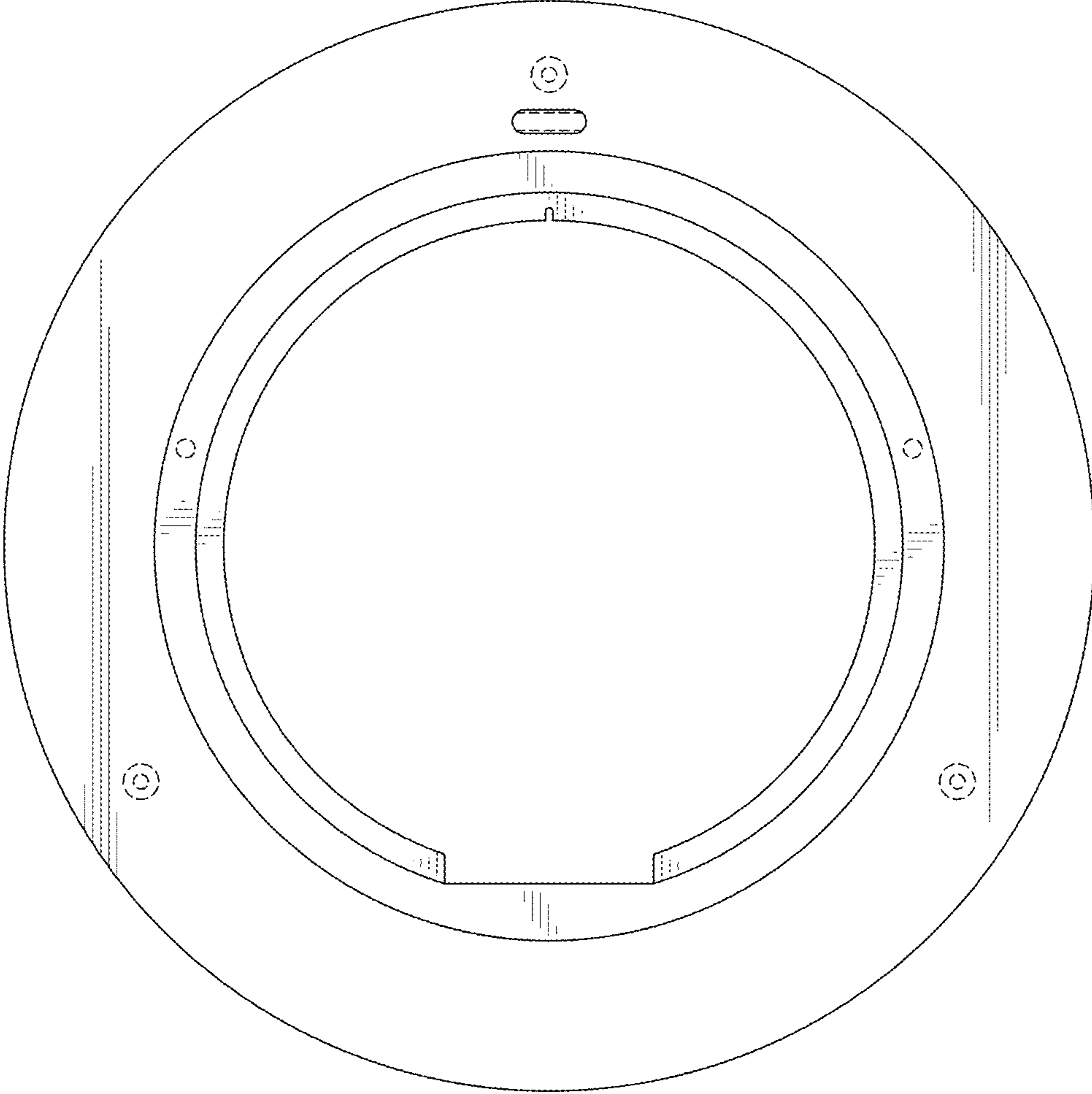


FIG. 3

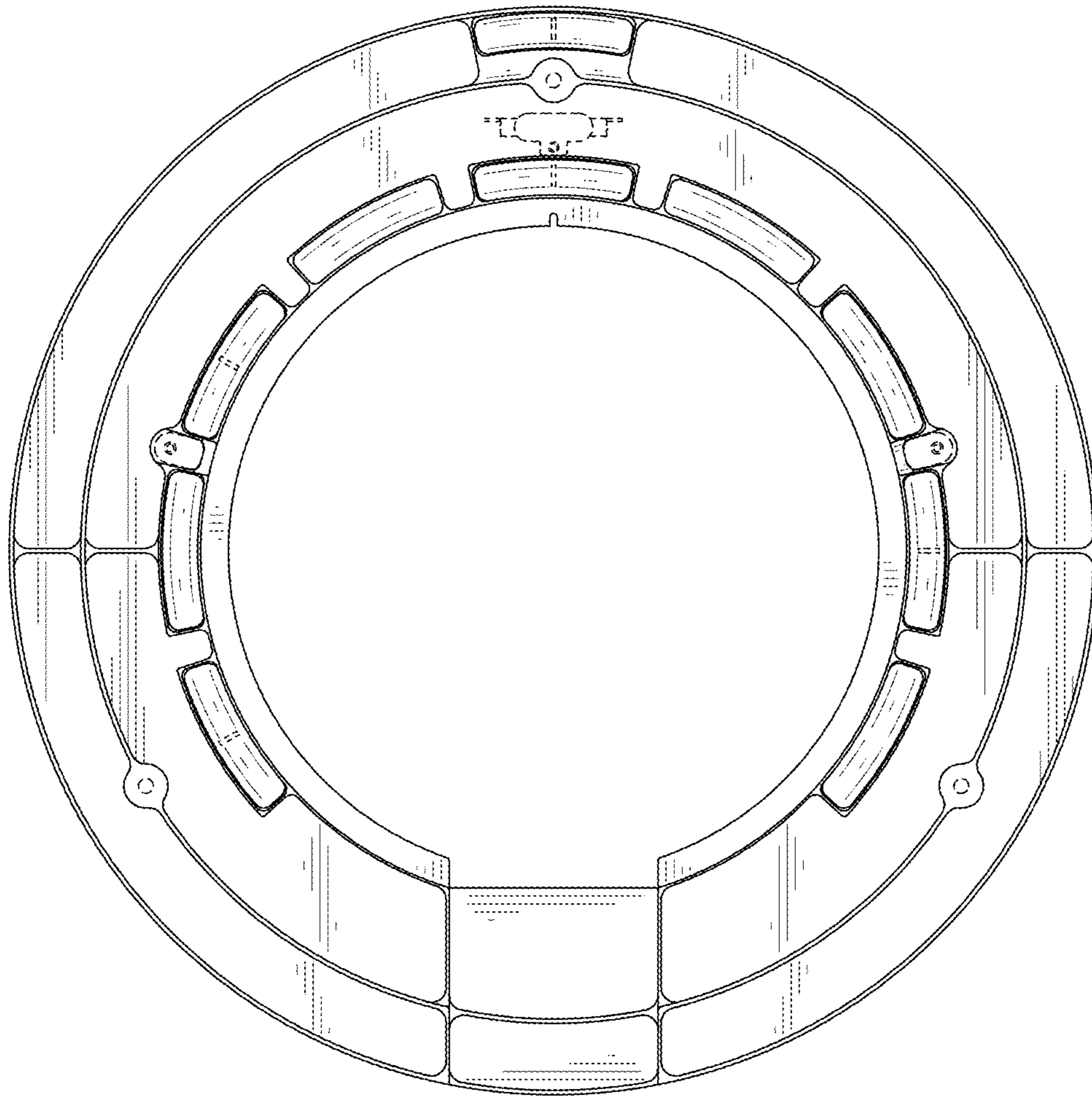


FIG. 4



FIG. 5



FIG. 6



FIG. 7

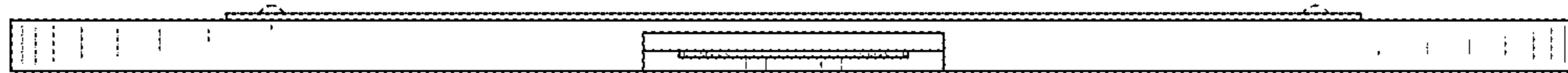


FIG. 8

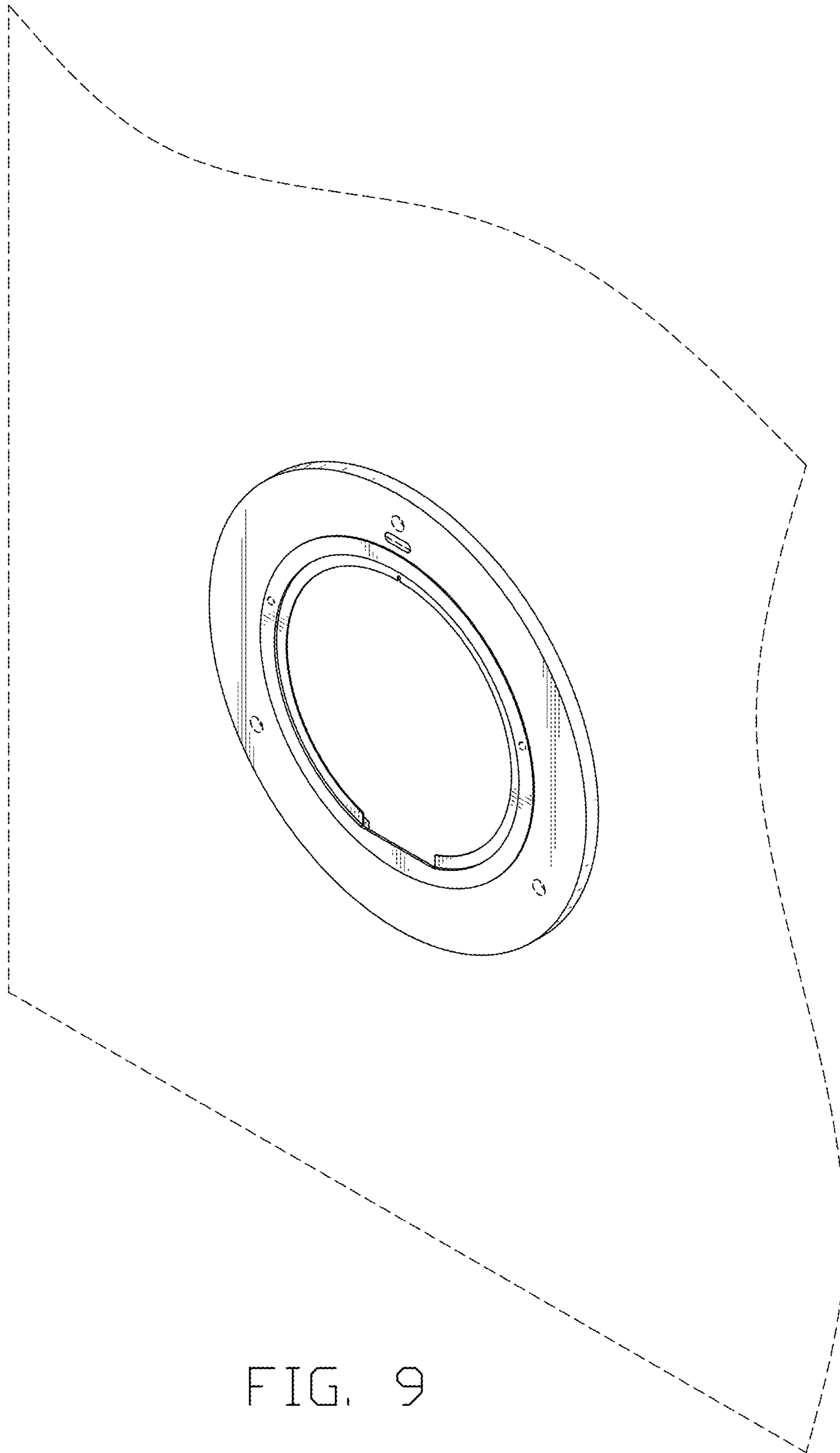


FIG. 9