



US00D954532S

(12) **United States Design Patent**  
**Bilge**

(10) **Patent No.:** **US D954,532 S**  
(45) **Date of Patent:** **\*\* Jun. 14, 2022**

(54) **SLIDER CLIP FOR MOUNTING WALL  
PANELS UNTO A TRACK MOUNTED ONTO  
AN EXISTING WALL**

(71) Applicant: **Henry H. Bilge**, Fort Lee, NJ (US)

(72) Inventor: **Henry H. Bilge**, Fort Lee, NJ (US)

(\*\*) Term: **15 Years**

(21) Appl. No.: **29/741,013**

(22) Filed: **Jul. 9, 2020**

(51) **LOC (13) Cl.** ..... **08-08**

(52) **U.S. Cl.**  
USPC ..... **D8/349; D25/124**

(58) **Field of Classification Search**  
USPC ..... D25/119-125; D8/349; 52/235, 200  
CPC ..... B21C 23/00; E04C 2003/0417; E04C  
2003/0439; E04C 2003/0452; E04C  
2003/0465; E04C 2003/0473; E04C 3/00;  
E04C 3/04; E04C 3/28; E06B 1/00  
See application file for complete search history.

(56) **References Cited**

**U.S. PATENT DOCUMENTS**

D760,403 S \* 6/2016 Bilge ..... D25/125  
D827,415 S \* 9/2018 Macdonald ..... D8/349  
D834,397 S \* 11/2018 Macdonald ..... D8/349  
D834,398 S \* 11/2018 Macdonald ..... D8/349  
D834,399 S \* 11/2018 Macdonald ..... D8/349

10,316,531 B2 \* 6/2019 McGowan ..... E04F 19/0495  
10,865,569 B1 \* 12/2020 Bilge ..... E04F 19/061  
10,900,239 B1 \* 1/2021 Bilge ..... E04F 13/083  
2008/0134594 A1 \* 6/2008 Ness ..... E04F 13/0889  
52/200  
2008/0168723 A1 \* 7/2008 Bilge ..... E04F 13/0814  
52/235

\* cited by examiner

*Primary Examiner* — Gino Colan

(74) *Attorney, Agent, or Firm* — Joshua Kaplan, Esq;  
Kaplan Law Practice LLC

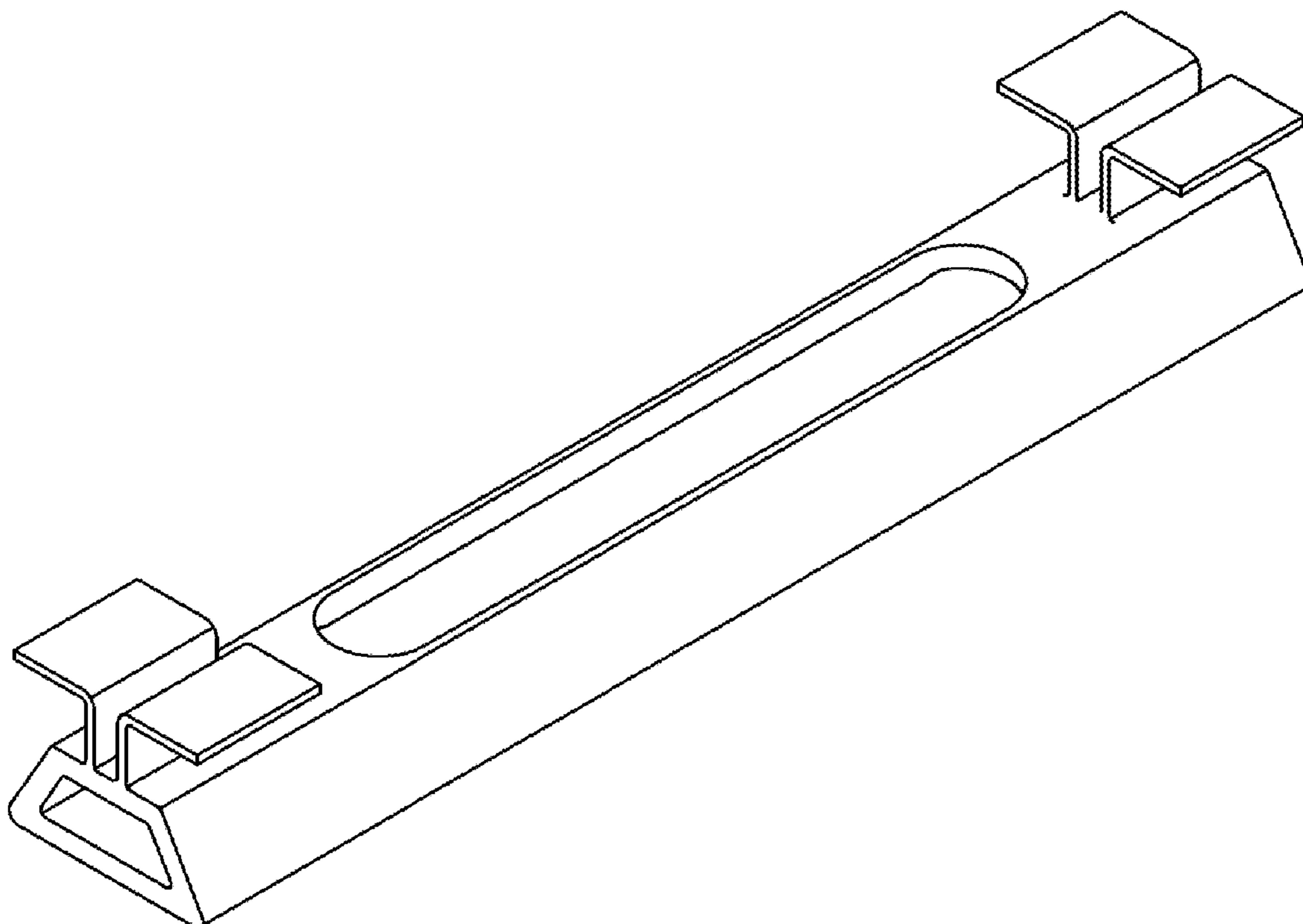
(57) **CLAIM**

I claim the ornamental design for an slider clip for mounting wall panels unto a track mounted onto an existing wall, as shown and described.

**DESCRIPTION**

FIG. 1 is a perspective view of the slider clip for mounting wall panels unto a track mounted onto an existing wall, showing front, left and bottom sides in accordance with the present design;  
FIG. 2 is a perspective view showing back, right and top view thereof;  
FIG. 3 is a left side elevational view thereof with the right side elevational view being a mirror image thereof;  
FIG. 4 is a bottom elevational view thereof;  
FIG. 5 is a top elevational view thereof;  
FIG. 6 is a front plan view thereof; and,  
FIG. 7 is a back plan view thereof.

**1 Claim, 7 Drawing Sheets**



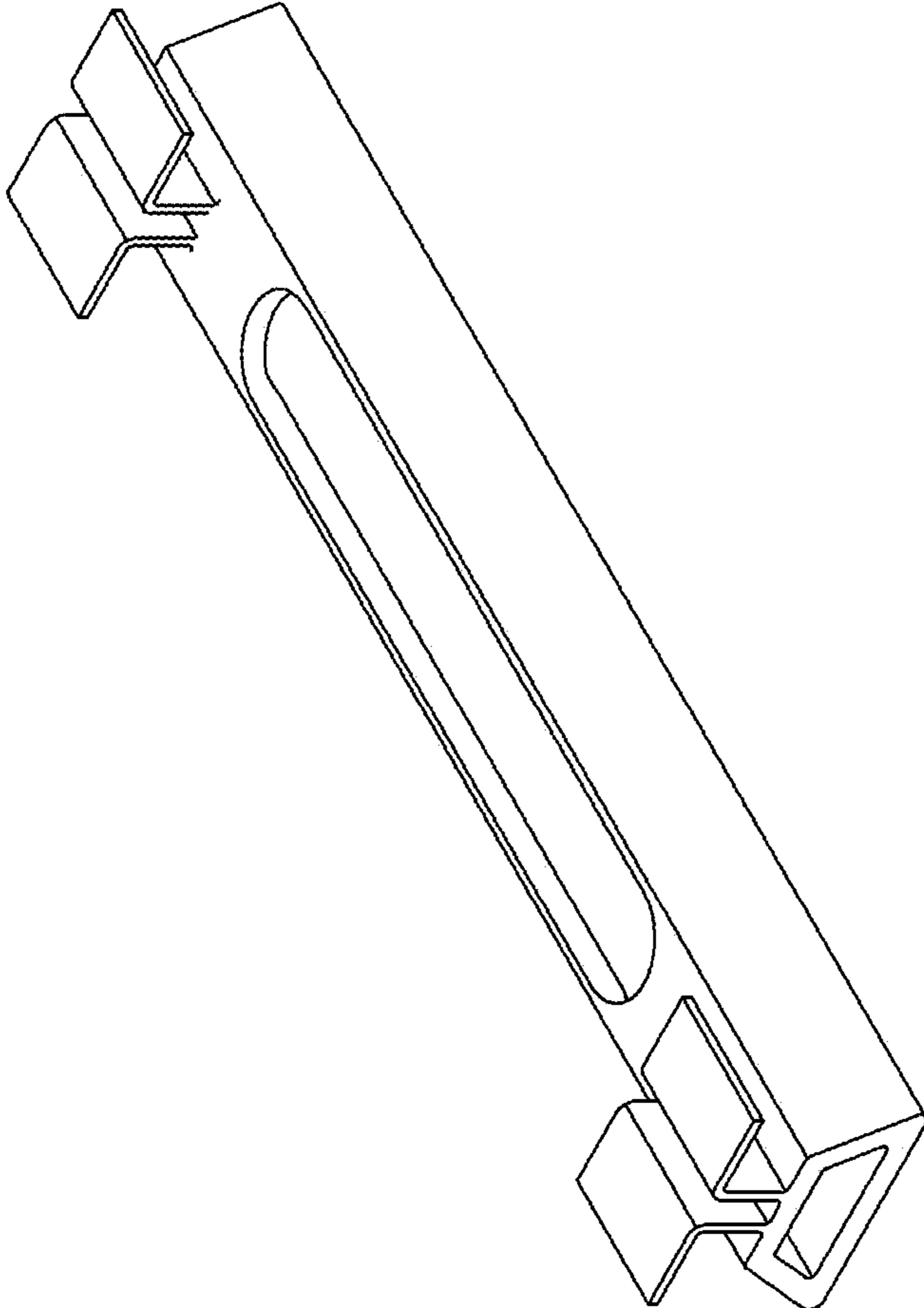


FIG.1

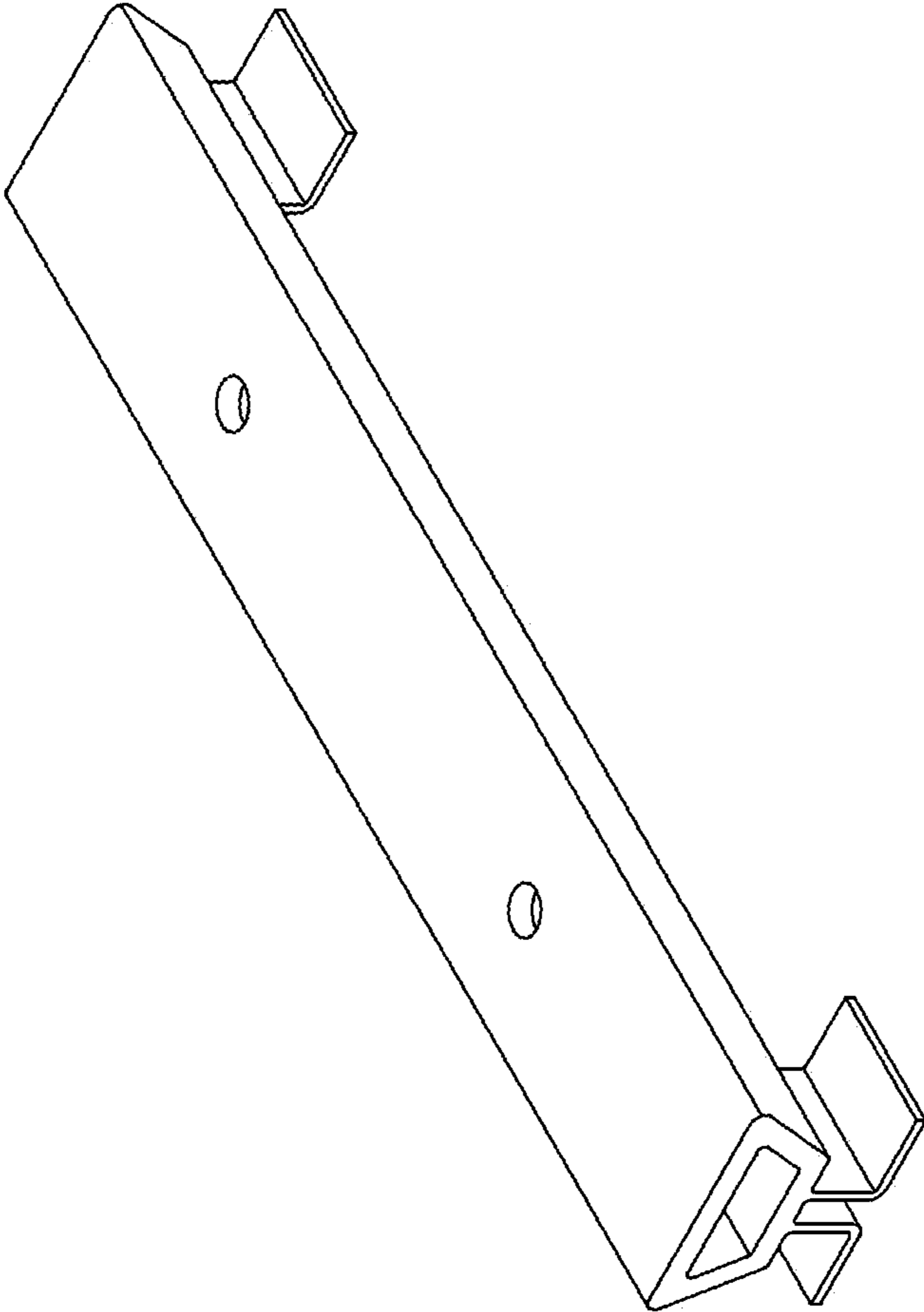


FIG. 2

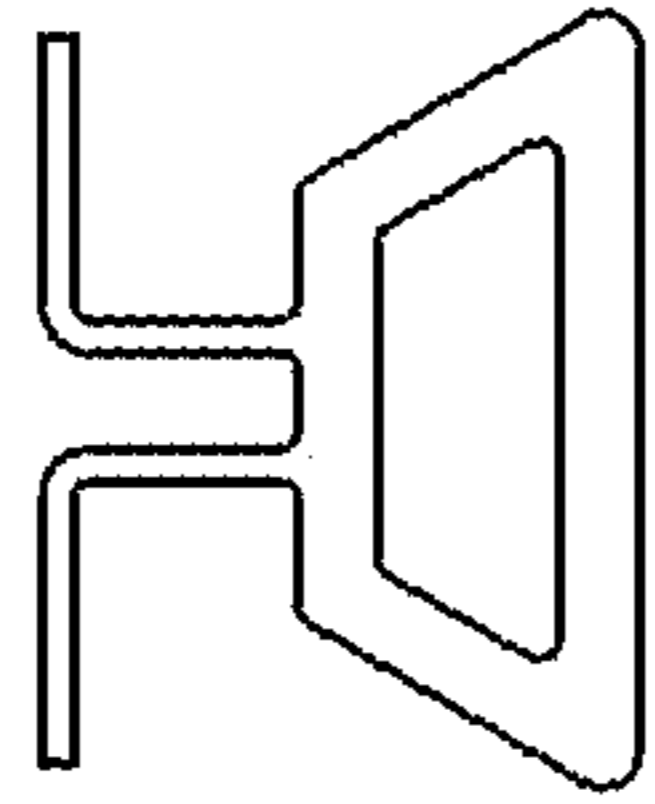


FIG. 3

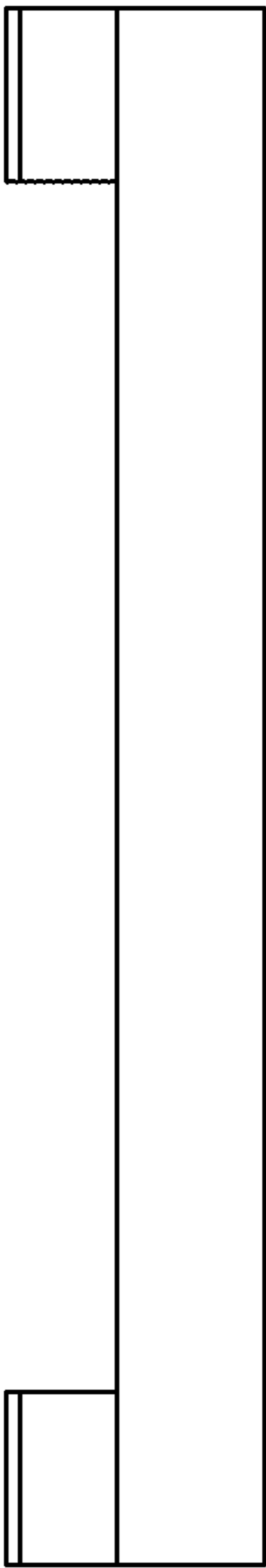


FIG.4



FIG. 5

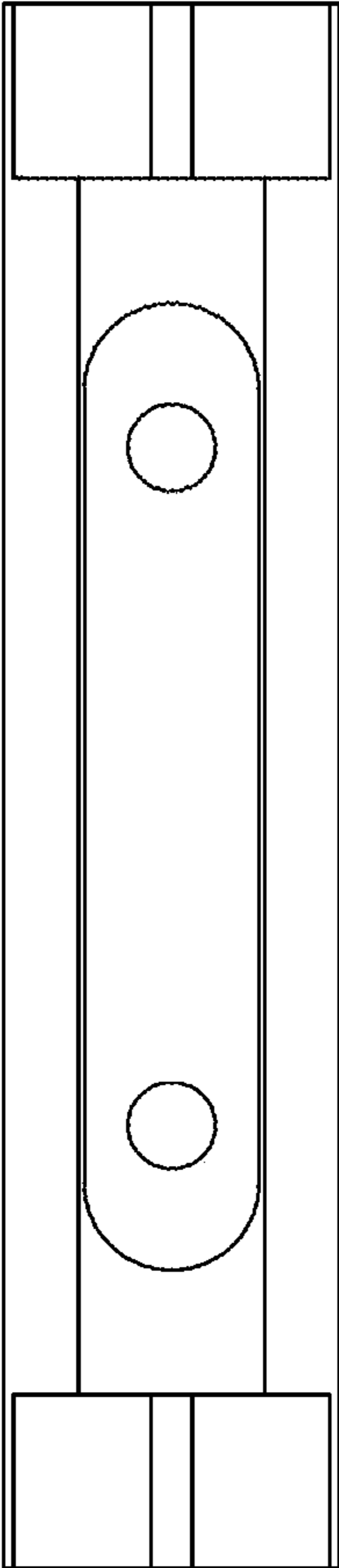


FIG.6



FIG. 7