



US00D954531S

(12) **United States Design Patent**
LaPorta

(10) **Patent No.:** **US D954,531 S**
(45) **Date of Patent:** **** Jun. 14, 2022**

- (54) **KICKPLATE EXTENDER**
- (71) Applicant: **Vincent N. LaPorta**, Crystal Beach, FL (US)
- (72) Inventor: **Vincent N. LaPorta**, Crystal Beach, FL (US)
- (73) Assignee: **LaPorta Inspection Services LLC**, Crystal Beach, FL (US)
- (**) Term: **15 Years**
- (21) Appl. No.: **29/686,968**
- (22) Filed: **Apr. 9, 2019**

- 4,807,417 A * 2/1989 Bell H02G 3/263 248/71
 - 5,359,151 A * 10/1994 Nattel H02G 3/26 52/359
 - D357,405 S * 4/1995 Philippi D6/567
 - 5,647,687 A * 7/1997 Robinson A47B 95/002 403/231
 - D442,539 S * 5/2001 Nickel D12/223
 - D449,218 S * 10/2001 Vrame D8/354
 - D481,223 S * 10/2003 Locker D6/661
 - D481,619 S * 11/2003 Hightower D8/382
 - 6,642,445 B1 * 11/2003 Lalancette H02G 1/00 33/528
 - D531,010 S * 10/2006 Vrame D8/354
 - D574,222 S * 8/2008 Golias, Jr. D8/349
- (Continued)

Primary Examiner — Mark A Goodwin
(74) *Attorney, Agent, or Firm* — Smith & Hopen, P.A.; Paul Murty

Related U.S. Application Data

- (62) Division of application No. 29/665,000, filed on Sep. 28, 2018, now Pat. No. Des. 852,024.
- (51) **LOC (13) Cl.** **08-08**
- (52) **U.S. Cl.**
USPC **D8/349; D8/366**
- (58) **Field of Classification Search**
USPC D8/354, 349, 355, 363, 366, 371, 373, D8/380, 382, 384; 160/323 A, 321, 160/323.1; 248/267, 268; D12/223, 193; D6/300-302; D25/119-125; 403/403
CPC ... E02D 27/02; E04B 2005/322; E04G 11/06; E04G 11/36; A47F 5/00; A47H 1/10; B60R 13/10; B60R 13/105; B60R 19/24; B60R 19/52
See application file for complete search history.

(57) **CLAIM**

The ornamental design for a kickplate extender, as shown and described.

DESCRIPTION

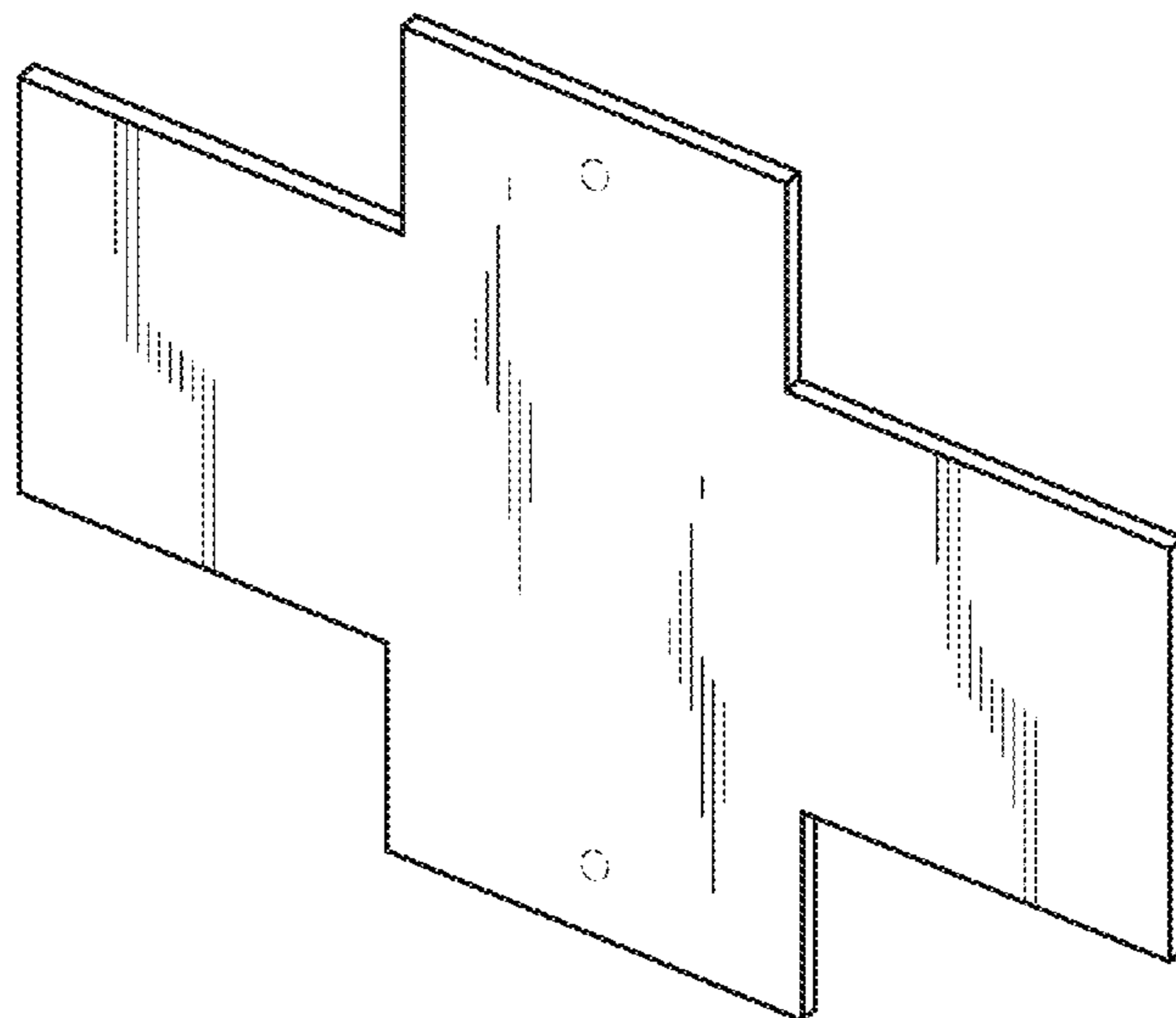
FIG. 1 is a front perspective view of a kickplate extender, with a pair of screw holes shown in broken lines.
FIG. 2 is a rear elevation view thereof.
FIG. 3 is a front elevation view thereof.
FIG. 4 is a side elevation view thereof.
FIG. 5 is a side elevation view thereof.
FIG. 6 is a top plan view thereof.
FIG. 7 is a bottom plan view thereof; and,
FIG. 8 is a front perspective view thereof, showing a wire running down a furring strip and across the kickplate extender, the wire and furring strip shown in broken lines. The subject matter delineated in broken lines, showing wires, furring strips, outlets, and screw holes, illustrates environment and forms no part of the claimed design.

1 Claim, 4 Drawing Sheets

(56) **References Cited**

U.S. PATENT DOCUMENTS

- D242,406 S * 11/1976 Romanoff D6/563
- D279,473 S * 7/1985 Hochstetler D14/238
- D288,171 S * 2/1987 Dey D8/73
- 4,773,196 A * 9/1988 Yoshida H02G 3/285 174/487



(56)

References Cited

U.S. PATENT DOCUMENTS

7,429,023 B2 * 9/2008 Morrow E04B 1/003
52/715
D581,912 S * 12/2008 Blair, Jr. D14/238
D583,221 S * 12/2008 Johnsen D8/354
D595,053 S * 6/2009 Whitaker D3/905
D596,015 S * 7/2009 Scarcello D8/354
D598,731 S * 8/2009 Dinh D8/354
D612,226 S * 3/2010 Dinh D8/356
D618,082 S * 6/2010 Lambrou D8/343
D625,591 S * 10/2010 MacDonald D8/390
D650,082 S * 12/2011 Roggenkamp D8/366
8,082,701 B1 * 12/2011 Wendel H02G 3/32
52/100
D667,288 S * 9/2012 Preda D8/354
D667,289 S * 9/2012 Preda D8/354
D684,033 S * 6/2013 Preda D8/354
D684,034 S * 6/2013 Vaughan D8/349
D689,760 S * 9/2013 Chen D8/382
8,544,225 B2 * 10/2013 Lakoduk H02G 3/12
52/220.1
D696,570 S * 12/2013 Mirer D8/349
D705,040 S * 5/2014 Konrad D8/354
8,839,579 B2 * 9/2014 Lakoduk E04F 13/074
52/220.1

9,010,063 B2 * 4/2015 Spruiell E04G 21/185
52/699
D729,547 S * 5/2015 Montgomery D6/665
D730,545 S * 5/2015 Stauffer D25/61
D730,719 S * 6/2015 Sundberg D8/371
D745,367 S * 12/2015 Mier D8/349
9,219,355 B2 * 12/2015 Lalancette H02G 3/04
D756,750 S * 5/2016 Vrame D8/354
D760,066 S * 6/2016 Krenek D8/354
D763,062 S * 8/2016 Tatem D14/239
D784,794 S * 4/2017 Bently D8/356
D787,917 S * 5/2017 Kennelly D8/354
D793,352 S * 8/2017 Hill D8/19
D801,793 S * 11/2017 Johnson D8/381
D852,024 S * 6/2019 LaPorta D8/349
D868,378 S * 11/2019 Hatchell D28/73
D921,477 S * 6/2021 O'Halloran D8/373
11,154,133 B2 * 10/2021 O'Halloran B25H 3/04
D938,269 S * 12/2021 Preston D8/382
2003/0079382 A1 * 5/2003 Arens B60R 13/005
40/210
2011/0209912 A1 * 9/2011 Korcz H02G 3/386
248/71
2012/0126070 A1 * 5/2012 Lalancette H02G 3/0425
248/71

* cited by examiner

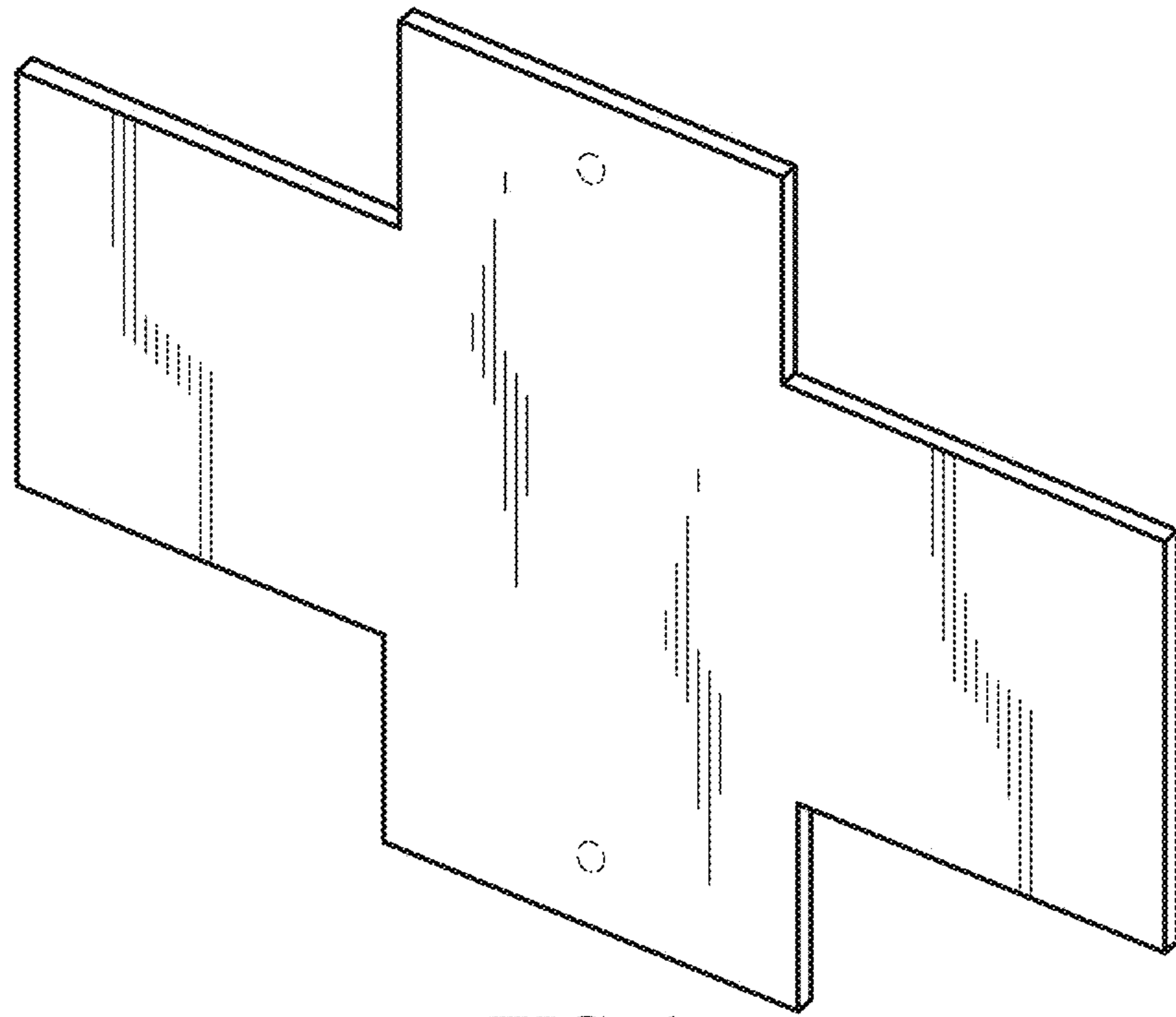


FIG. 1

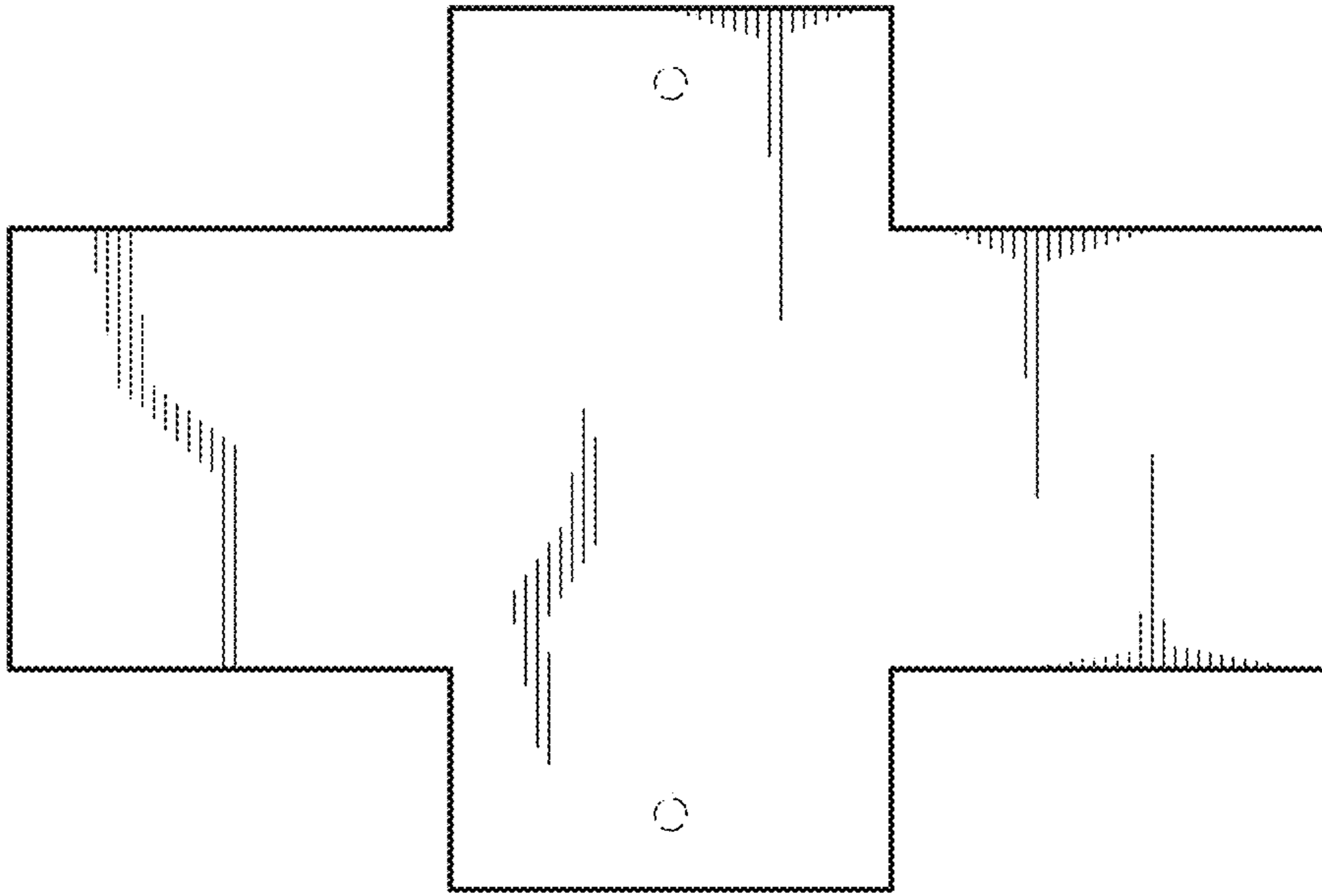


FIG. 2

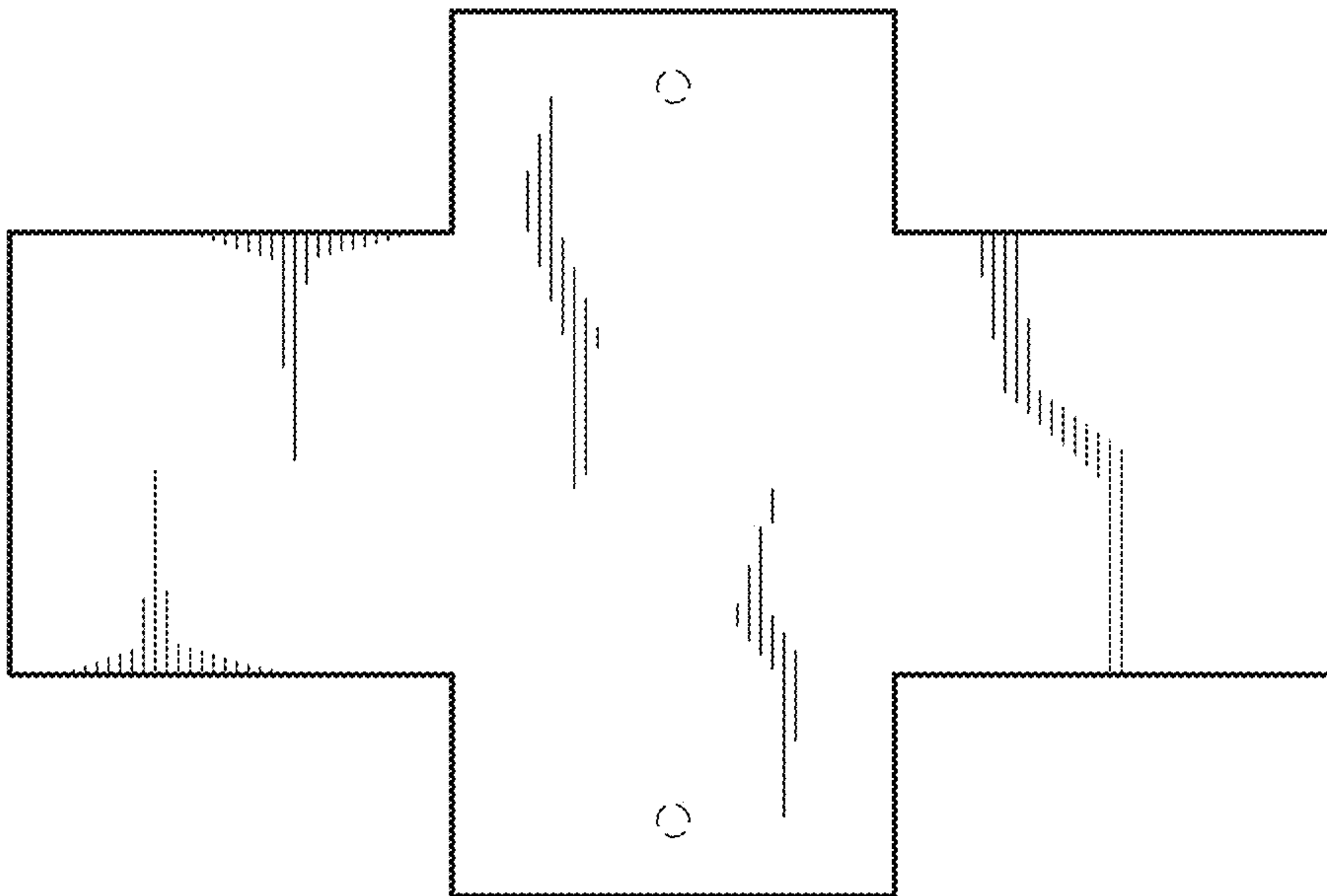


FIG. 3

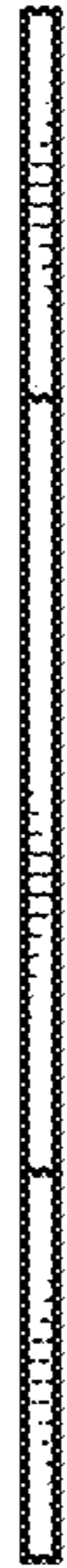


FIG. 4



FIG. 5



FIG. 6



FIG. 7

