



US00D954530S

(12) **United States Design Patent**
Gamell Pont

(10) **Patent No.:** **US D954,530 S**
(45) **Date of Patent:** **** Jun. 14, 2022**

(54) **HOLDER FOR BAGS WITH PADLOCK FOR USE IN BICYCLES**

(71) Applicant: **CODEX U 2014 S.L.**, Girona (ES)

(72) Inventor: **Carmel Gamell Pont**, Girona (ES)

(73) Assignee: **CODEX U 2014 S.L.**, Girona (ES)

(**) Term: **15 Years**

(21) Appl. No.: **29/634,925**

(22) Filed: **Jan. 25, 2018**

(30) **Foreign Application Priority Data**

Jul. 28, 2017 (EM) 004124766-0001

(51) **LOC (13) Cl.** **08-07**

(52) **U.S. Cl.**
USPC **D8/334**
CPC **B62J 11/00** (2013.01)

(58) **Field of Classification Search**
USPC D8/330-346; 248/309.1, 316.1, 616.5;
70/233
CPC ... B62J 99/00; B62J 11/00; B62H 5/00; E05B
71/00; E05B 67/38; E05B 2067/386;
F16B 2/10; F16B 2/185; B62K 19/40;
B25B 5/04
See application file for complete search history.

(56) **References Cited**

U.S. PATENT DOCUMENTS

4,436,232 A 3/1984 Zane et al.
4,918,951 A * 4/1990 Kavizky E05B 67/063
70/39
5,251,796 A * 10/1993 Shelhart B62H 5/00
224/422
D367,601 S * 3/1996 Brendel D8/333
5,538,167 A 7/1996 Winner
5,551,609 A 9/1996 Best
5,836,491 A * 11/1998 Chuang B62J 7/04
224/456

D430,787 S * 9/2000 Liu D8/333
6,360,571 B1 * 3/2002 O'Neal B60R 25/09
70/226
D570,667 S * 6/2008 Zapushek D8/330
D606,840 S * 12/2009 Gould D8/331
D657,657 S * 4/2012 Golling D8/339
(Continued)

FOREIGN PATENT DOCUMENTS

DE 4103295 C1 6/1992
EP 0492742 A1 7/1992
(Continued)

OTHER PUBLICATIONS

Bike INN bike shop, Codex-U Urban Pannier Rack copyright 2009-2021 (Year: 2009).*

Primary Examiner — Richard E Chilcot
(74) *Attorney, Agent, or Firm* — Lucas & Mercanti, LLP

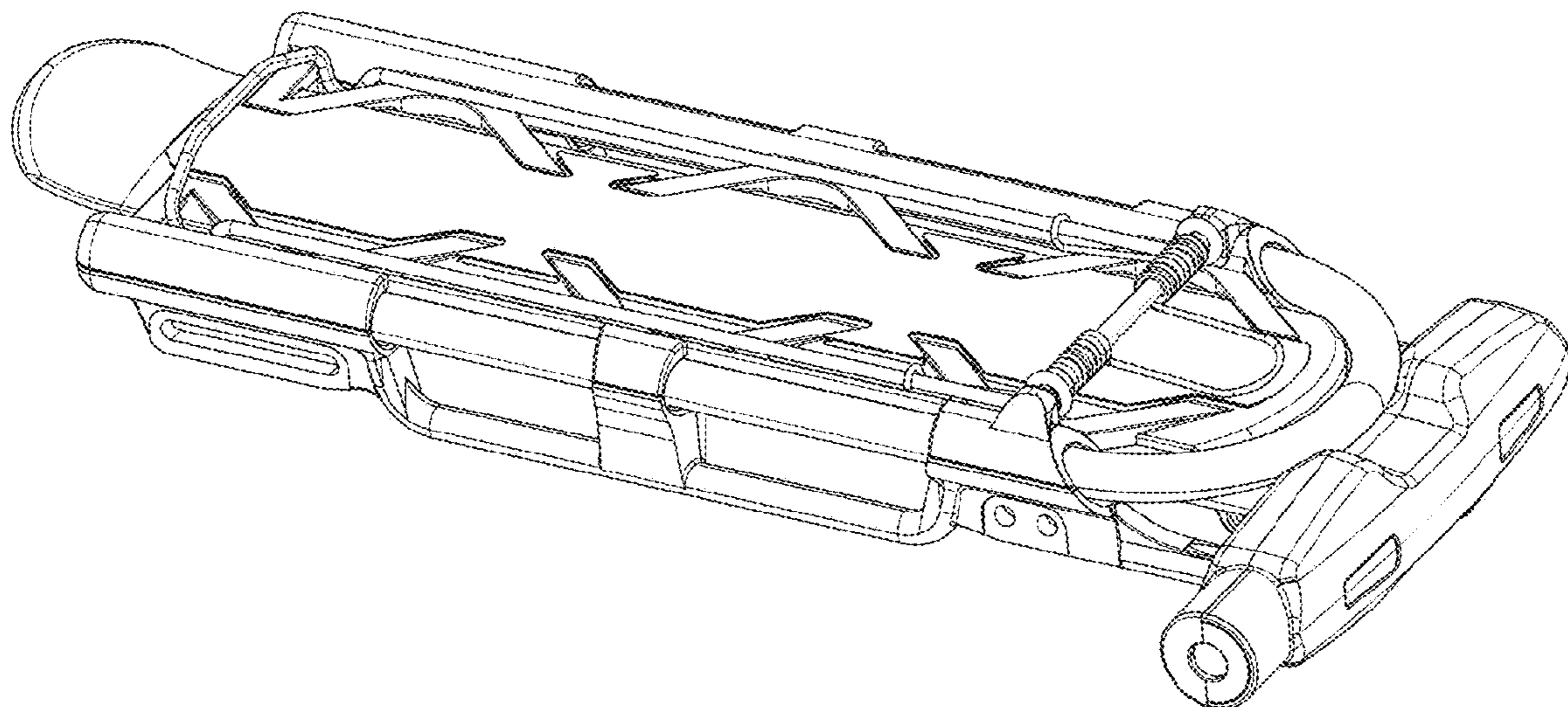
(57) **CLAIM**

The ornamental design for a holder for bags with padlock for use in bicycles, as shown and described.

DESCRIPTION

FIG. 1 is a perspective view of the holder for bags with padlock for use in bicycles;
FIG. 2 is a top plan view of the holder for bags with padlock for use in bicycles;
FIG. 3 is a bottom plan view of the holder for bags with padlock for use in bicycles;
FIG. 4 is a left side elevational view of the holder for bags with padlock for use in bicycles;
FIG. 5 is a right side elevational view of the holder for bags with padlock for use in bicycles;
FIG. 6 is a front side elevational view of the holder for bags with padlock for use in bicycles; and,
FIG. 7 is a rear side elevational view of the holder for bags with padlock for use in bicycles.

1 Claim, 7 Drawing Sheets



(56)

References Cited

U.S. PATENT DOCUMENTS

D658,037 S * 4/2012 Golling D8/339
 D660,683 S * 5/2012 Golling D8/339
 D660,684 S * 5/2012 Golling D8/339
 D688,114 S * 8/2013 Stevens D8/343
 D689,357 S * 9/2013 Wang D8/333
 D689,358 S * 9/2013 Stevens D8/343
 D690,580 S * 10/2013 Wang D8/343
 D691,457 S * 10/2013 Wang D8/334
 D691,458 S * 10/2013 Stevens D8/343
 D691,871 S * 10/2013 Wang D8/334
 D701,105 S * 3/2014 Stevens D8/343
 D707,101 S * 6/2014 Stevens D8/331
 D722,262 S * 2/2015 Stevens D8/334
 D724,932 S * 3/2015 Stevens D8/334
 D775,510 S * 1/2017 Lee D8/333
 9,670,698 B2 * 6/2017 Kindstrand E05B 67/063
 D798,689 S * 10/2017 Osada D8/343

D813,013 S * 3/2018 Callahan D8/333
 D847,606 S * 5/2019 Heinemann D8/331
 2008/0011031 A1 * 1/2008 Chuang B62J 7/04
 70/233
 2009/0308903 A1 * 12/2009 Vigeant B62J 7/08
 224/431
 2016/0137246 A1 * 5/2016 Rice B62J 7/00
 224/412
 2016/0214669 A1 * 7/2016 Ton B62H 5/003
 2018/0072361 A1 * 3/2018 McKenzie B62J 7/04
 2019/0106169 A1 * 4/2019 MacMorran B62J 7/04
 2021/0155309 A1 * 5/2021 Zappa B62J 7/04

FOREIGN PATENT DOCUMENTS

EP 2168853 A2 3/2010
 FR 2765852 A1 1/1999
 JP 2002127968 A 5/2002

* cited by examiner

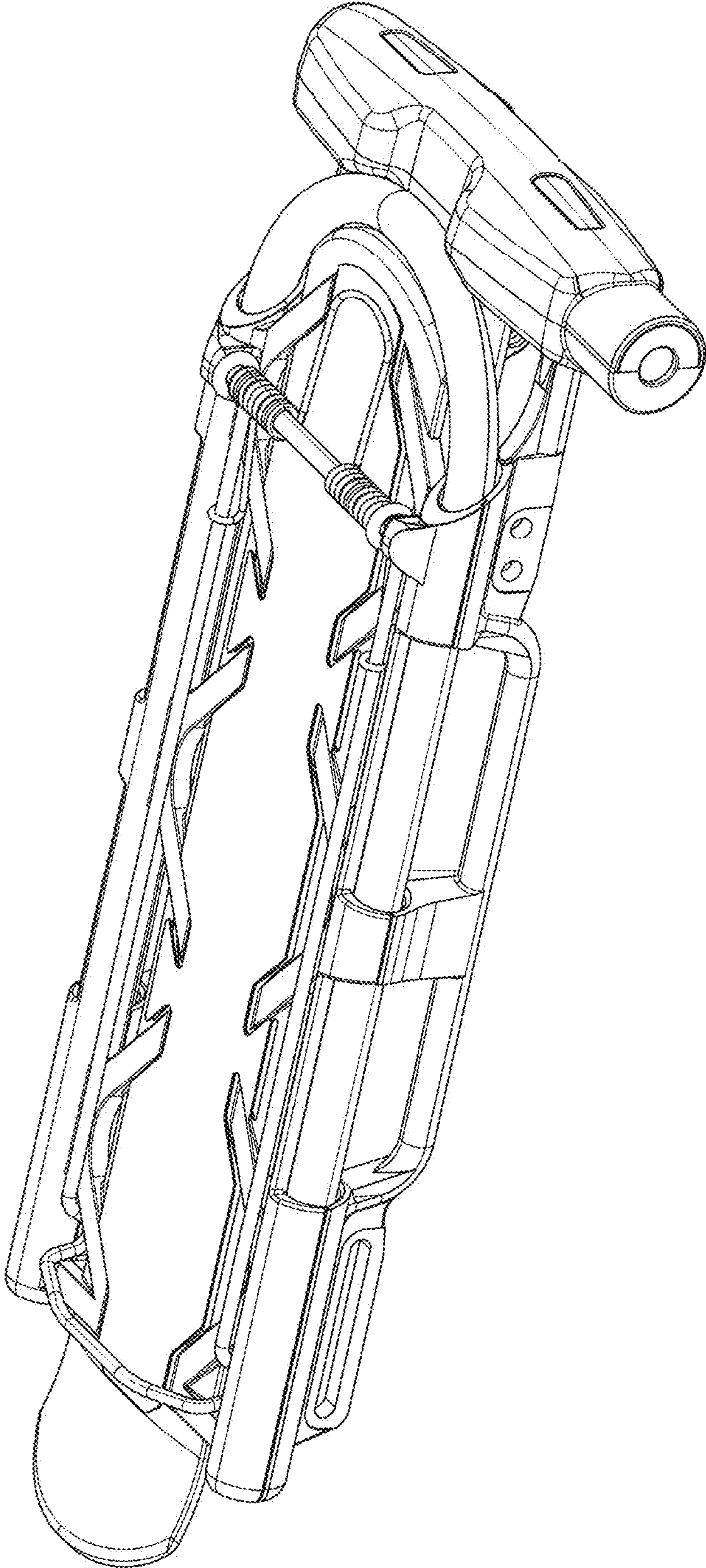


FIG. 1

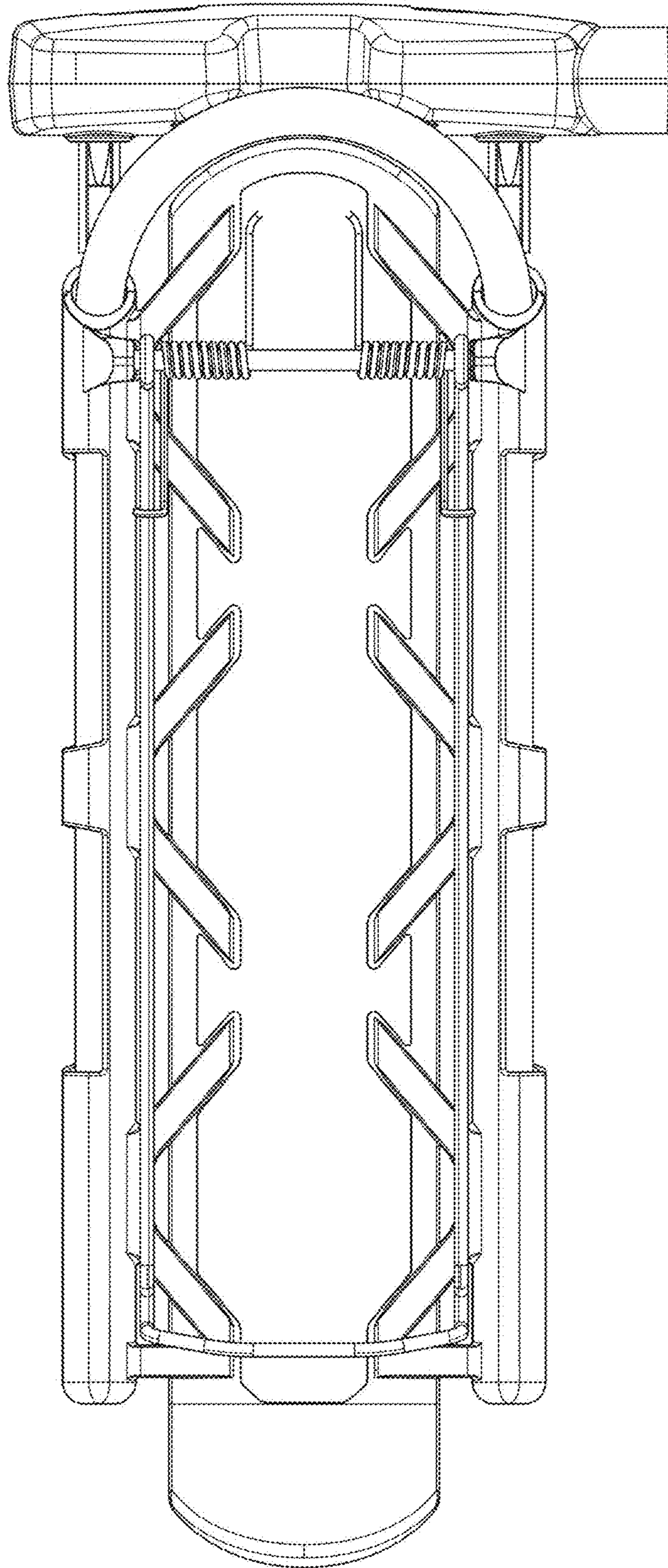


FIG. 2

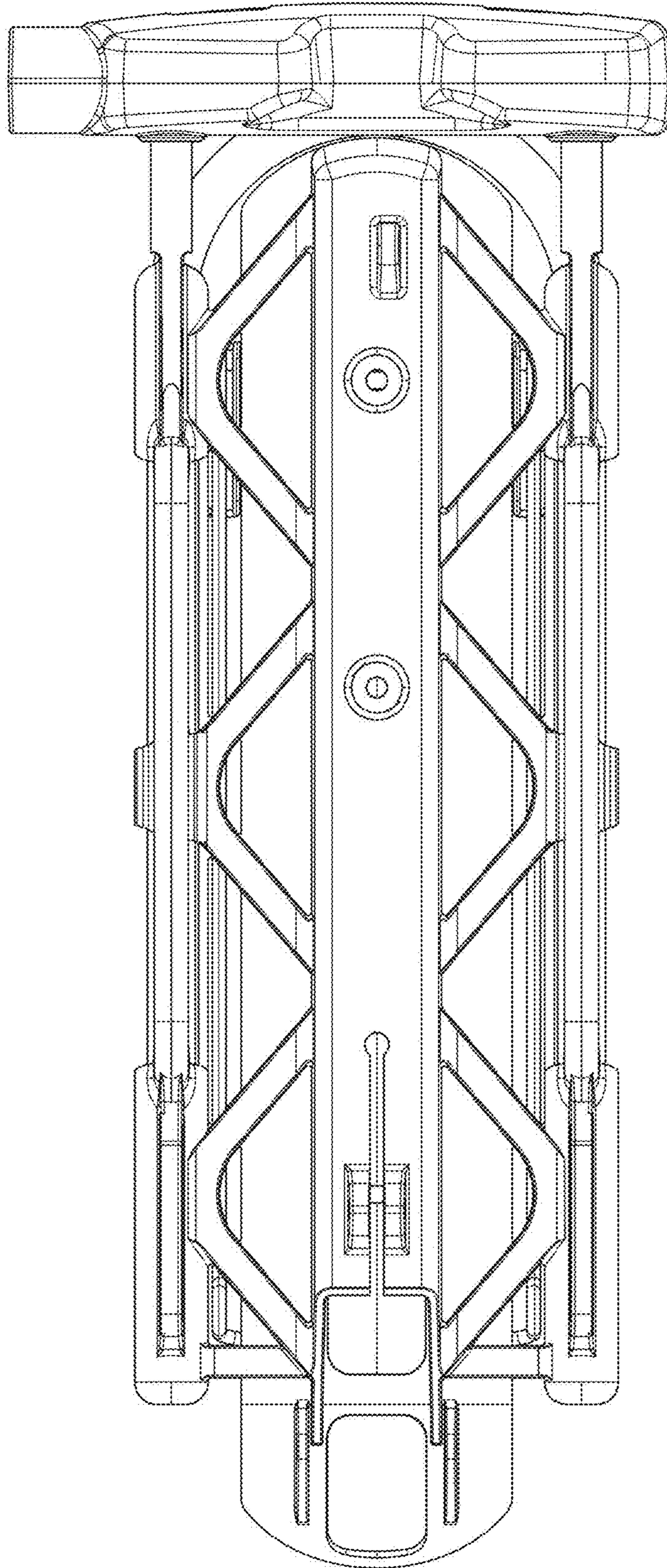


FIG. 3

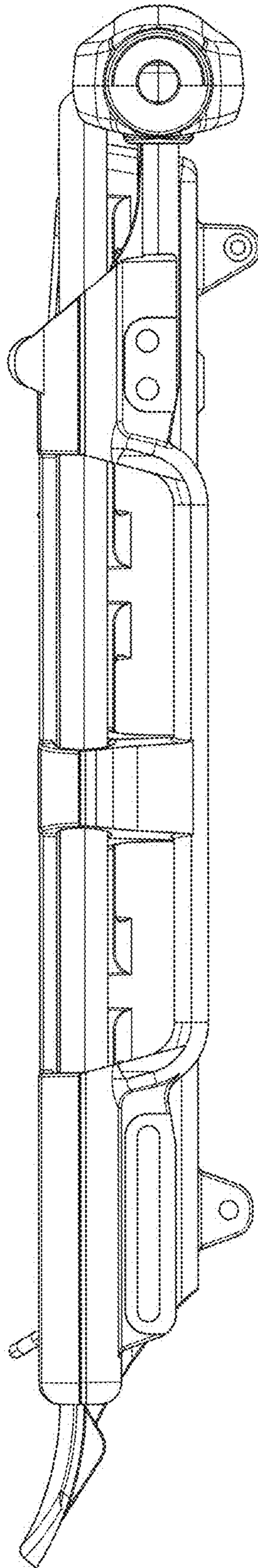


FIG. 4

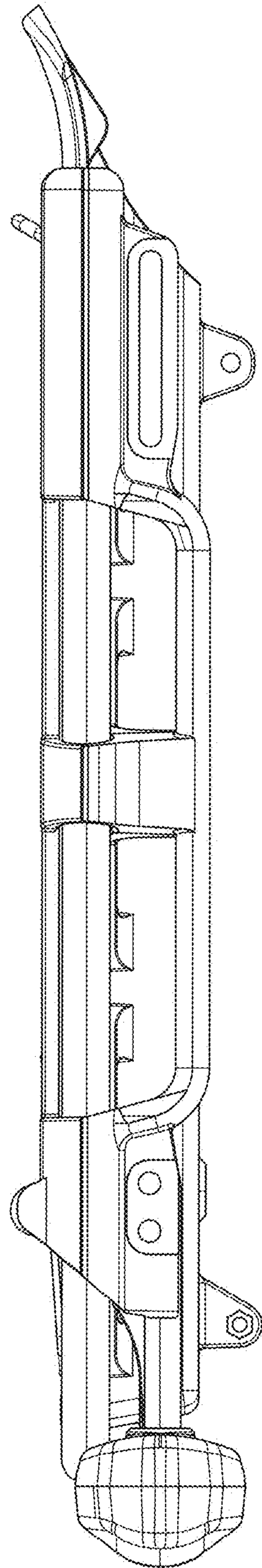


FIG. 5

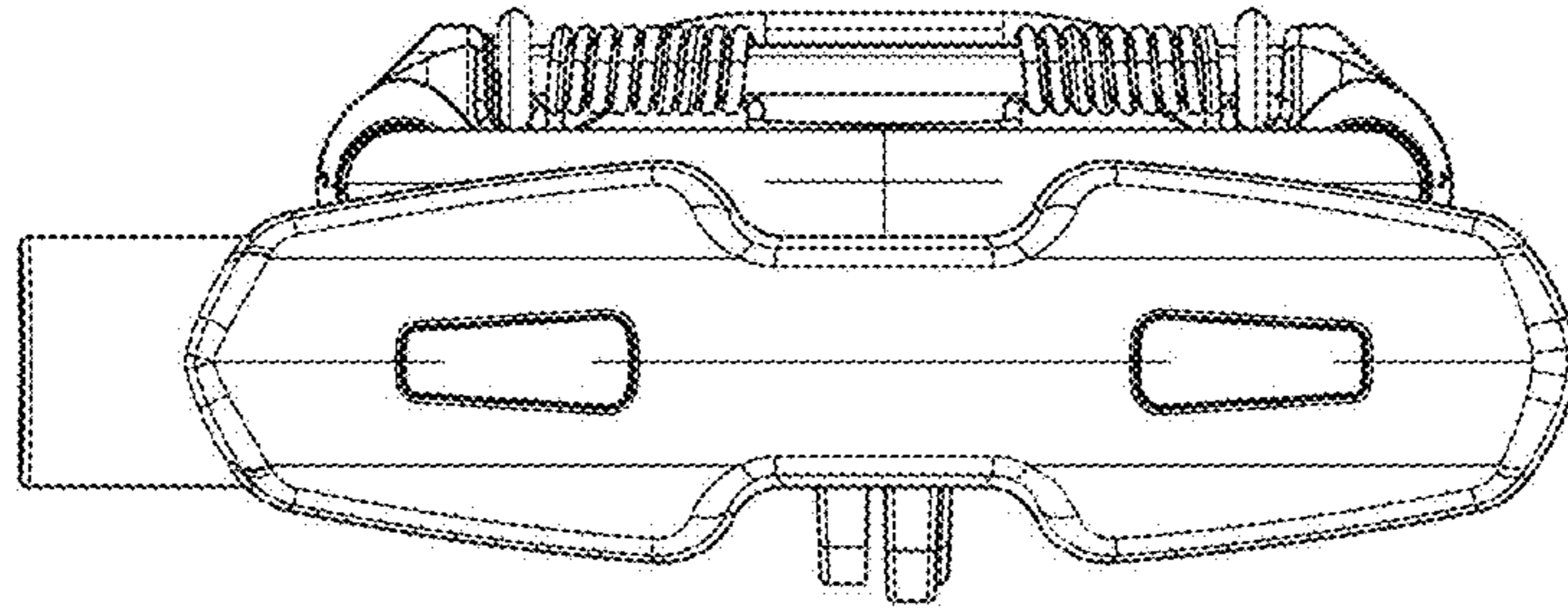


FIG. 6

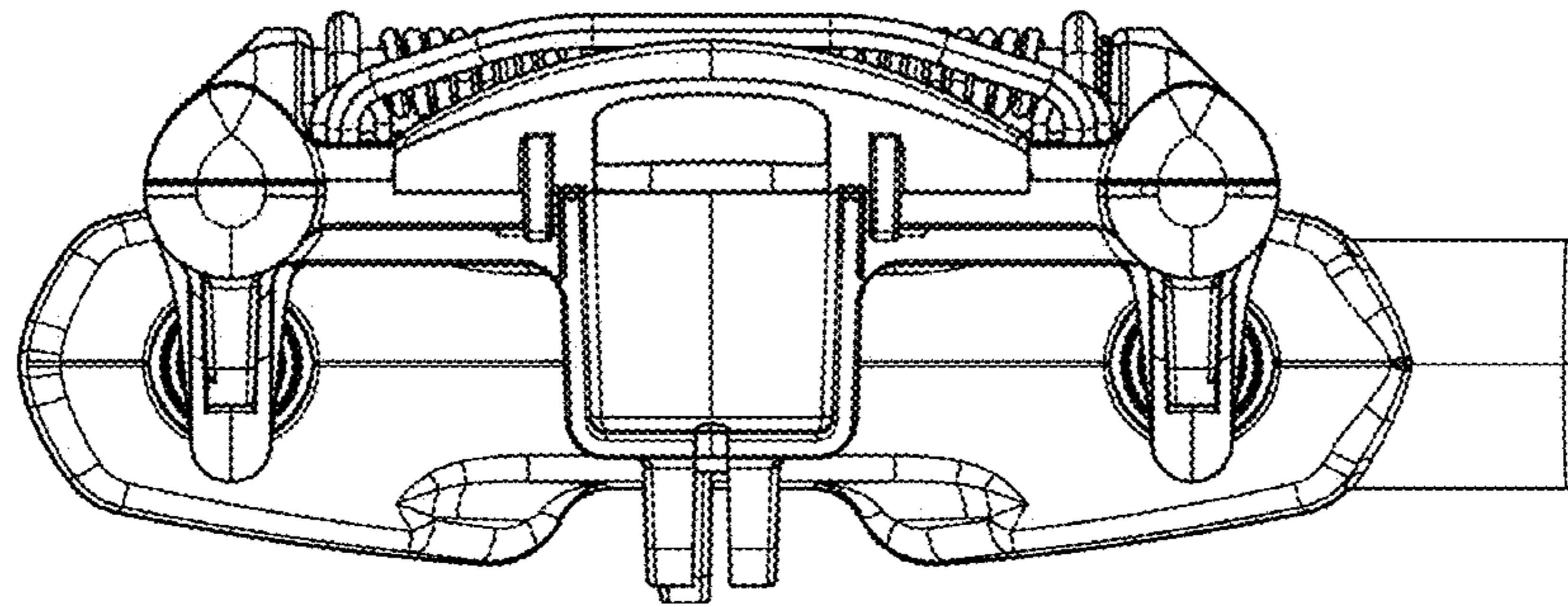


FIG. 7