



US00D954529S

(12) **United States Design Patent** (10) **Patent No.:** **US D954,529 S**
Li (45) **Date of Patent:** **** Jun. 14, 2022**

(54) **SMART LOCK SET**

(71) Applicant: **INNO ELECTRIC. INC**, Weihai (CN)

(72) Inventor: **Hanjie Li**, Incheon (KR)

(**) Term: **15 Years**

(21) Appl. No.: **29/704,656**

(22) Filed: **Sep. 6, 2019**

(30) **Foreign Application Priority Data**

Mar. 6, 2019 (CN) 201930090261.0

(51) **LOC (13) Cl.** **08-07**

(52) **U.S. Cl.**
USPC **D8/331**

(58) **Field of Classification Search**
USPC D21/330; D8/330, 331-348, 350;
D13/168; D14/218
CPC . Y10T 70/50; Y10T 70/5004; Y10T 70/5155;
Y10T 70/5199; E05B 47/06; E05B
47/0001; E05B 47/0615; E05B 47/0012;
E05B 47/0011; E05B 47/00; E05B 41/00;
E05B 51/00; E05B 53/00; E05B 65/0032;
E05B 2047/0014; E05B 2047/0068; E05B
63/16

See application file for complete search history.

(56) **References Cited**

U.S. PATENT DOCUMENTS

D512,899 S * 12/2005 Oskamp D8/331
D607,302 S * 1/2010 Kim D8/331
7,681,424 B2 * 3/2010 Antonucci E05C 3/042
70/208
D645,909 S * 9/2011 Fujita D21/330
D657,426 S * 4/2012 Gomez D21/330
D680,594 S * 4/2013 Mercier D21/330
D693,206 S * 11/2013 Mostert D8/350
D716,462 S * 10/2014 Perryman A61H 23/00
D24/214
D752,946 S * 4/2016 Shen D8/331

D783,095 S * 4/2017 Raina D21/330
D790,948 S * 7/2017 Lai D8/331
D791,569 S * 7/2017 Chen D8/331
D811,852 S * 3/2018 Xin D8/331
D830,465 S * 10/2018 Suetake D21/330
D840,785 S * 2/2019 Kasper D8/330
D879,588 S * 3/2020 Singtoroj D8/331
D898,548 S * 10/2020 Elliott D8/337
D901,278 S * 11/2020 Zheng D8/331
D904,160 S * 12/2020 Jin D8/331

(Continued)

OTHER PUBLICATIONS

“Fingerprint Lock Smart Locks”, posted 2021 [Online], [retrieved Dec. 30, 2021]. Retrieved from Internet, https://www.alibaba.com/product-detail/2021-Hot-Sell-Home-Security-Aluminum_1600200113975.html?spm=a2700.wholesale.maylikeexp.4.69e038c3EzoOFb.*

Primary Examiner — Mehri F Bajoul

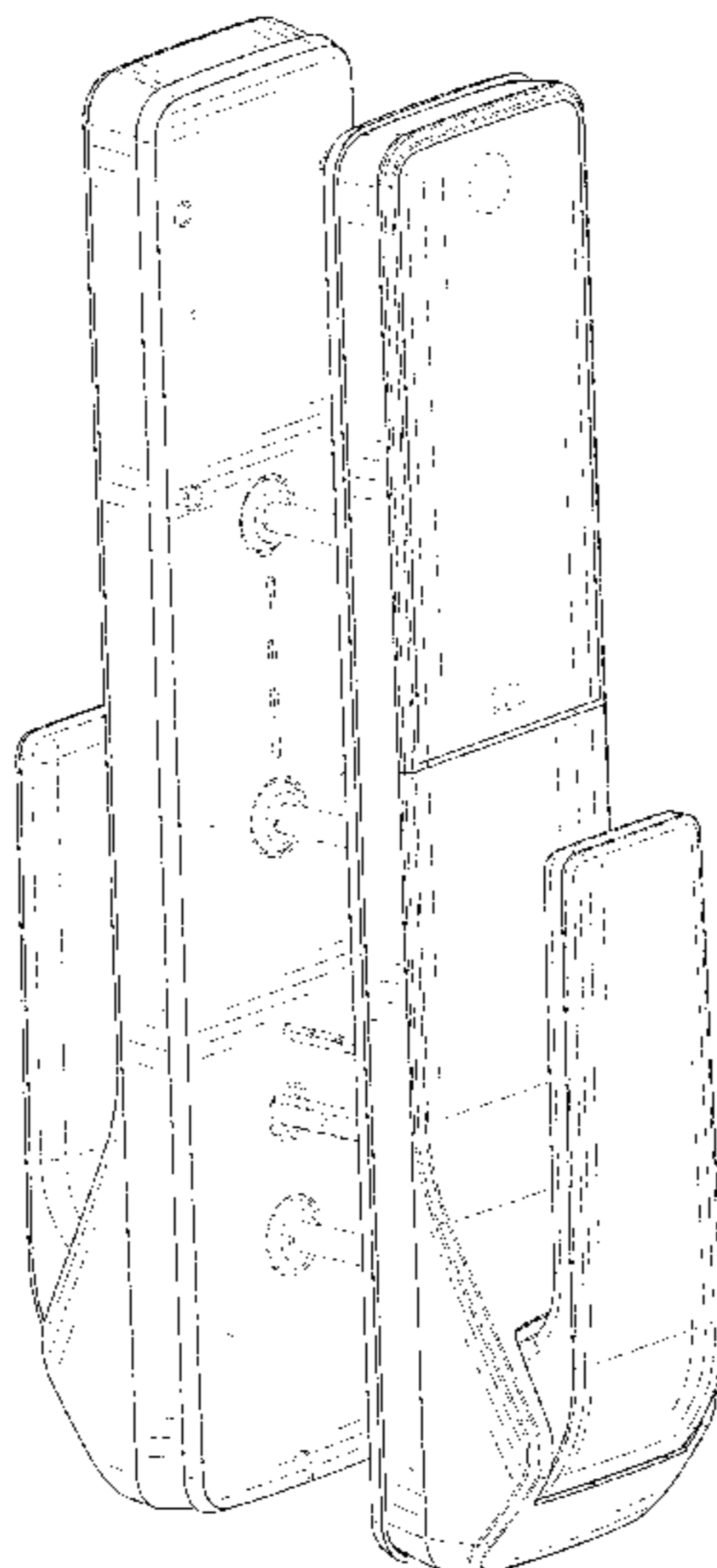
(57) **CLAIM**

The ornamental design for a smart lock set, as shown and described.

DESCRIPTION

FIG. 1 is a perspective view of a smart lock set, showing my new design;
FIG. 2 is a front elevational view thereof;
FIG. 3 is a rear elevational view thereof;
FIG. 4 is a left side elevational view thereof;
FIG. 5 is a right side elevational view thereof;
FIG. 6 is a top plan view thereof;
FIG. 7 is a bottom plan view thereof; and,
FIG. 8 is an enlarged view of a portion indicated in FIG. 2. The even dash-dash broken lines in FIGS. 1-7 depict portions of the smart lock set that form no part of the claimed design. The long-short broken lines in FIGS. 2 and 8 show the bounds of the magnified portion and form no part of the claimed design.

1 Claim, 8 Drawing Sheets



(56)

References Cited

U.S. PATENT DOCUMENTS

D904,161 S	*	12/2020	Li	D8/331
D904,162 S	*	12/2020	Jin	D8/331
D904,163 S	*	12/2020	Jin	D8/331
D904,164 S	*	12/2020	Jin	D8/331
D904,165 S	*	12/2020	Jin	D8/331
D911,147 S	*	2/2021	Li	D8/330
D922,852 S	*	6/2021	Bae	D8/330
D931,704 S	*	9/2021	Ma	D8/331
D936,454 S	*	11/2021	Guo	G07C 9/00
					D8/331
D937,227 S	*	11/2021	Thomsen	D13/168

* cited by examiner

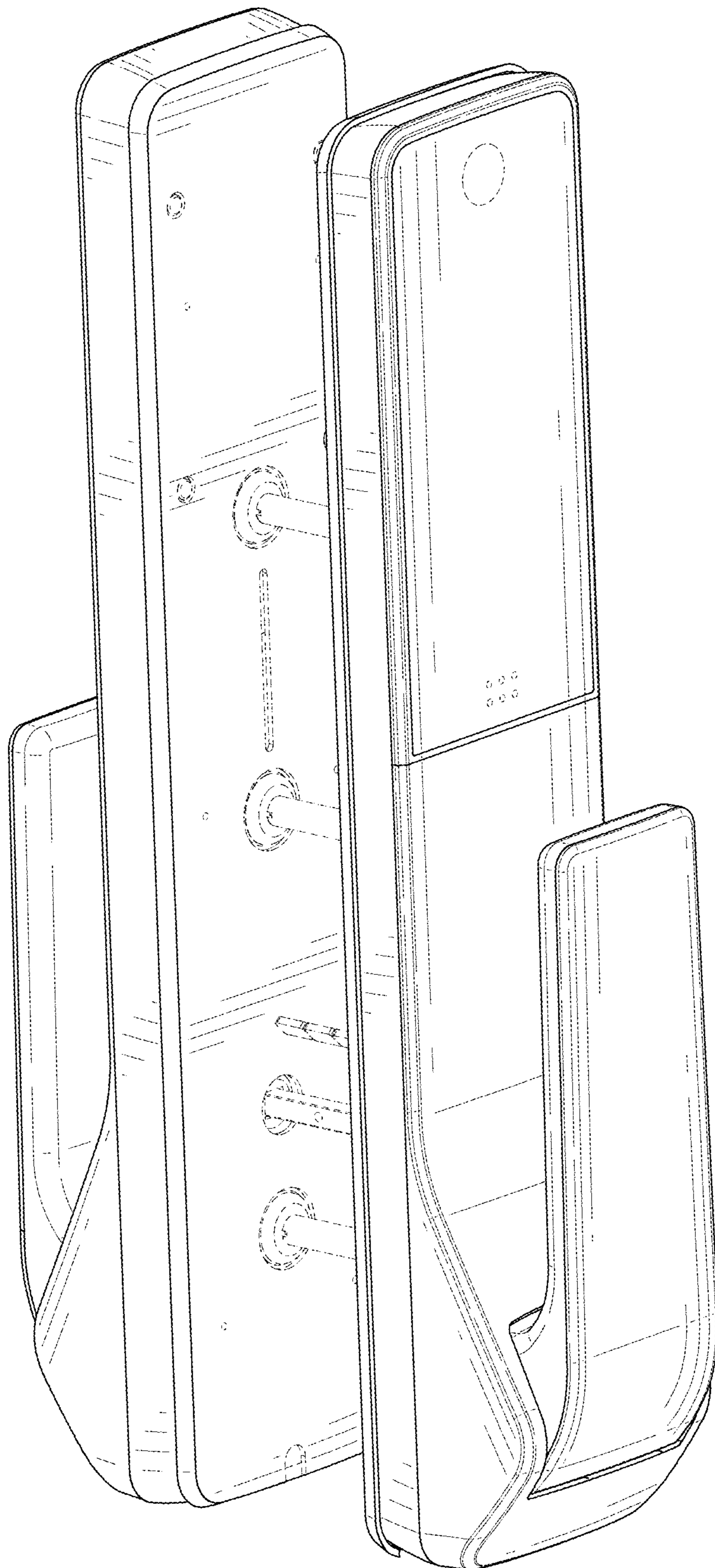


FIG. 1

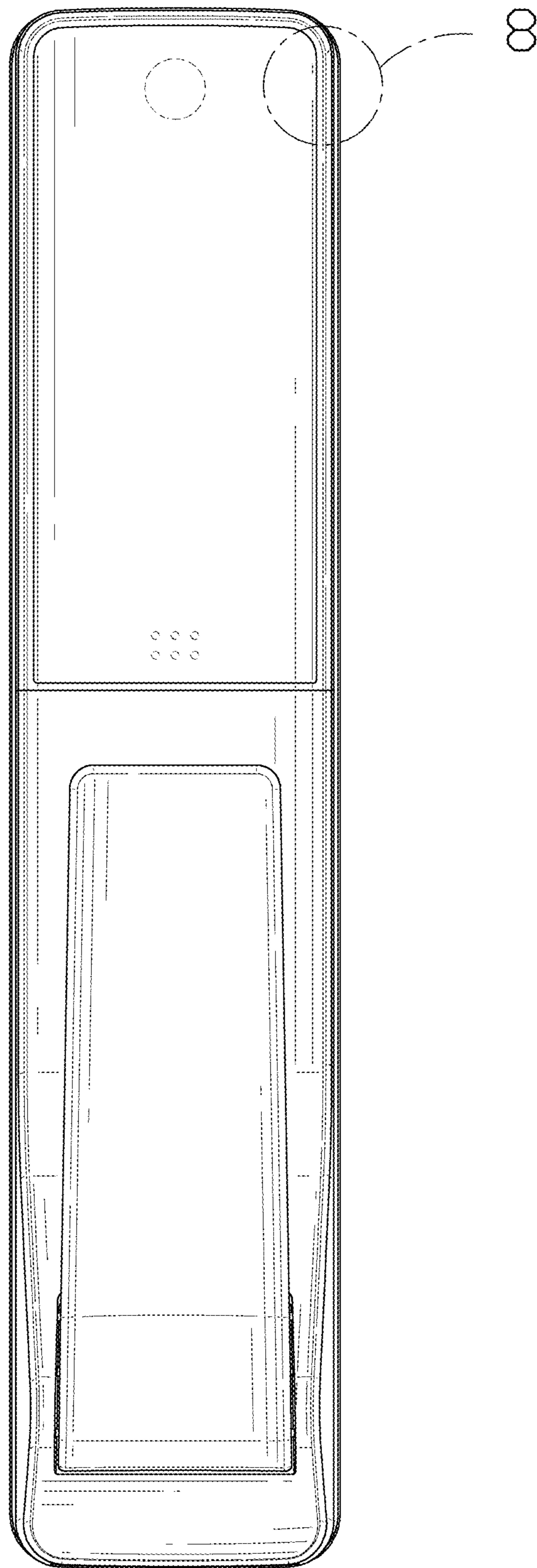


FIG. 2

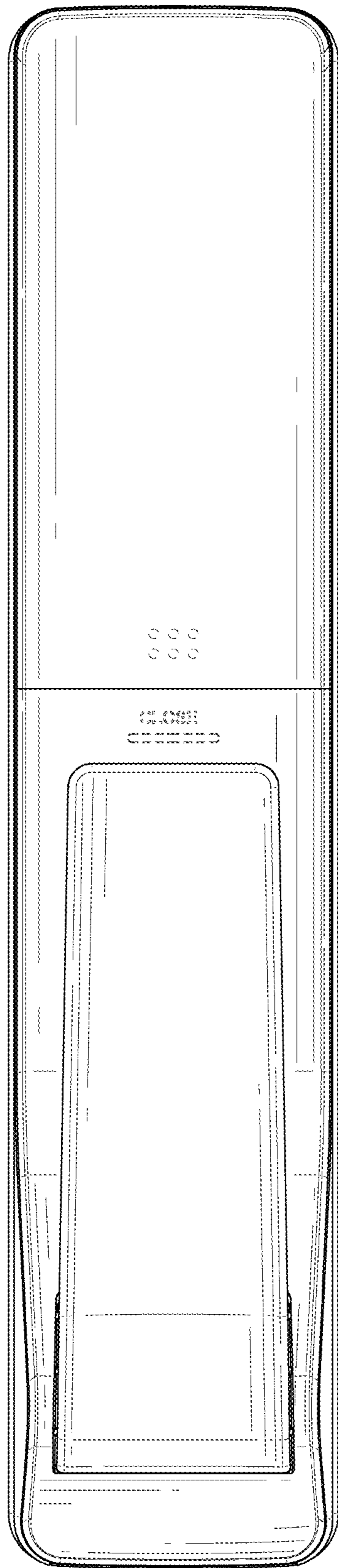


FIG. 3

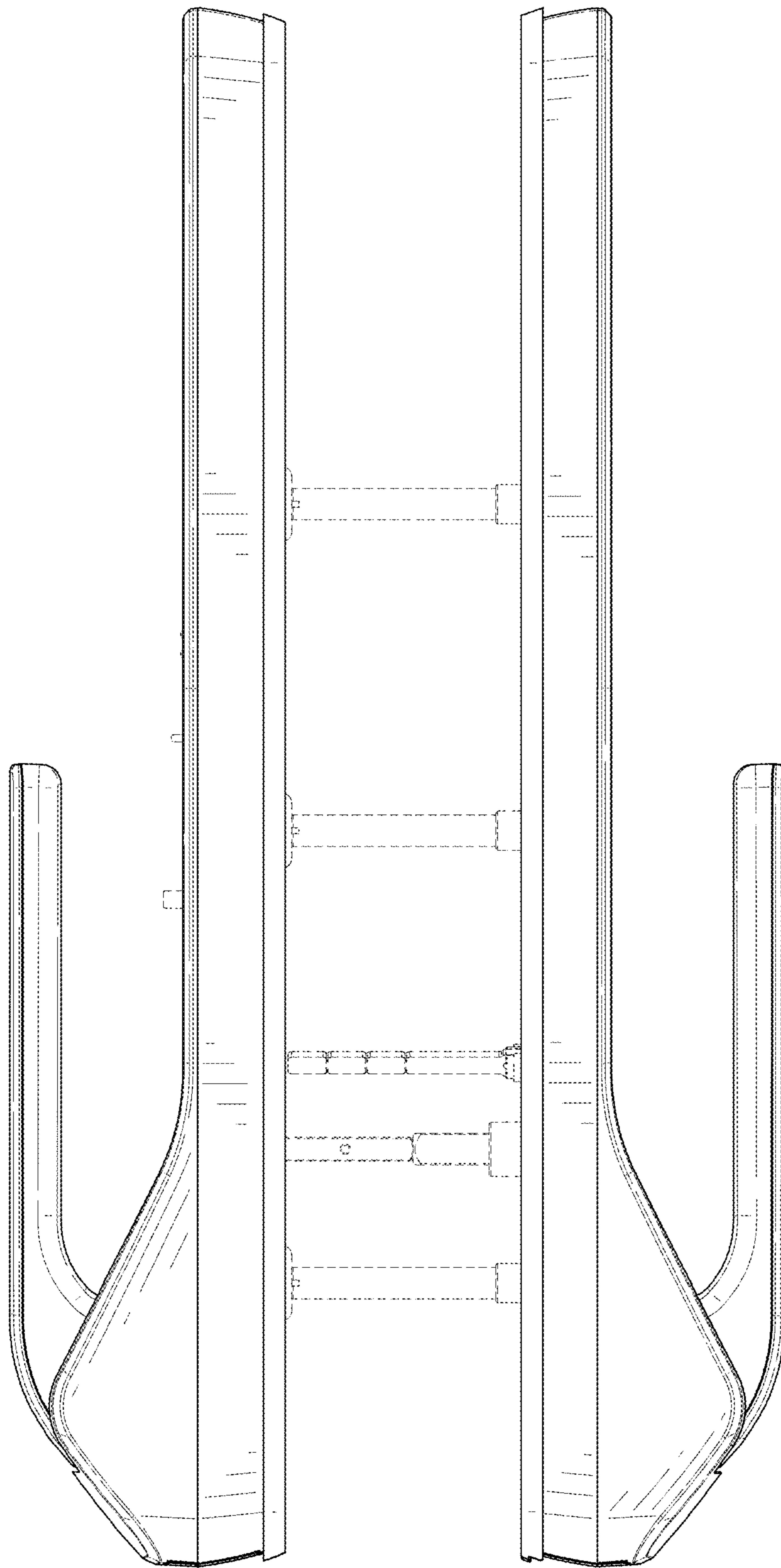


FIG. 4

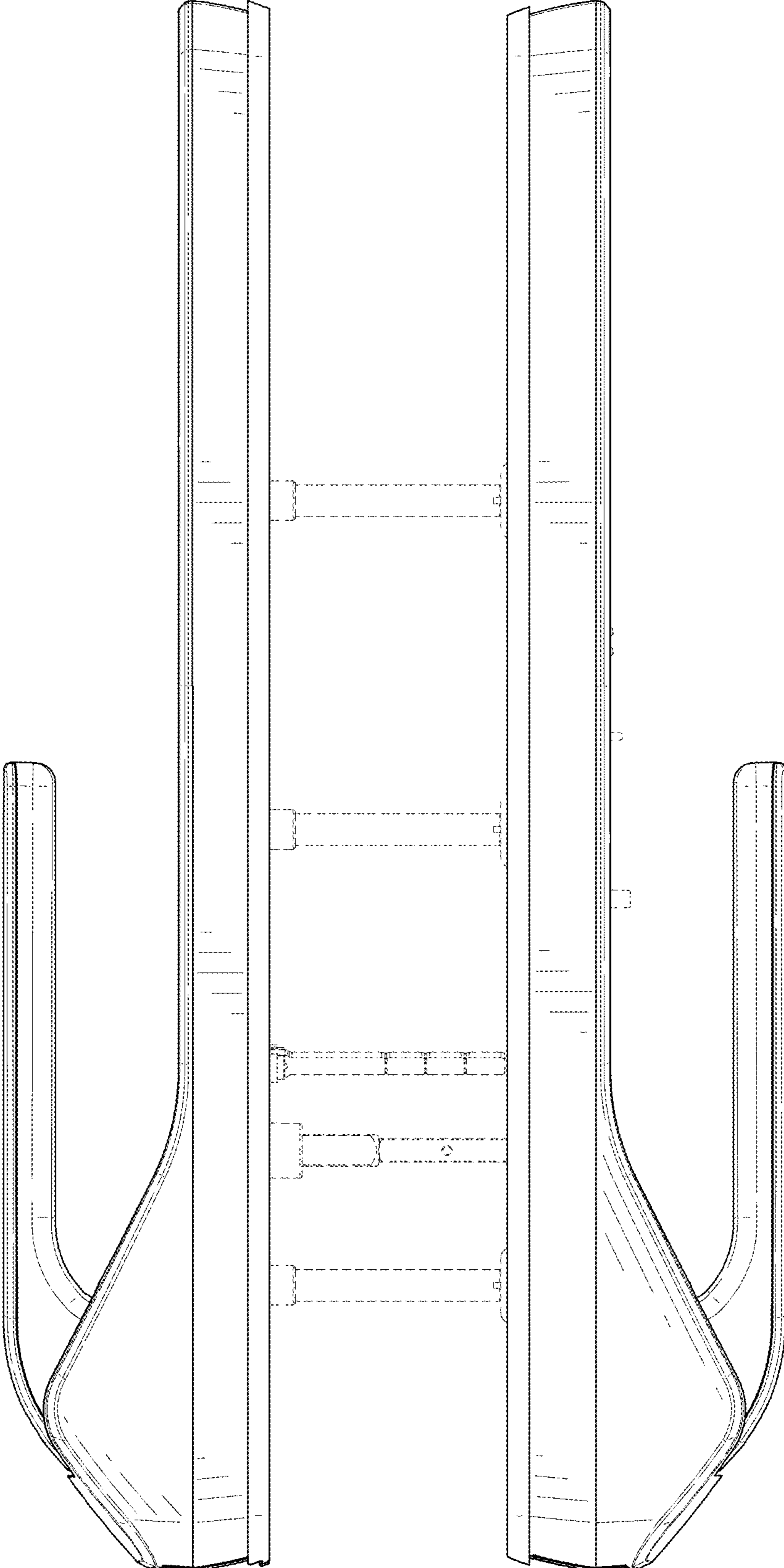


FIG. 5

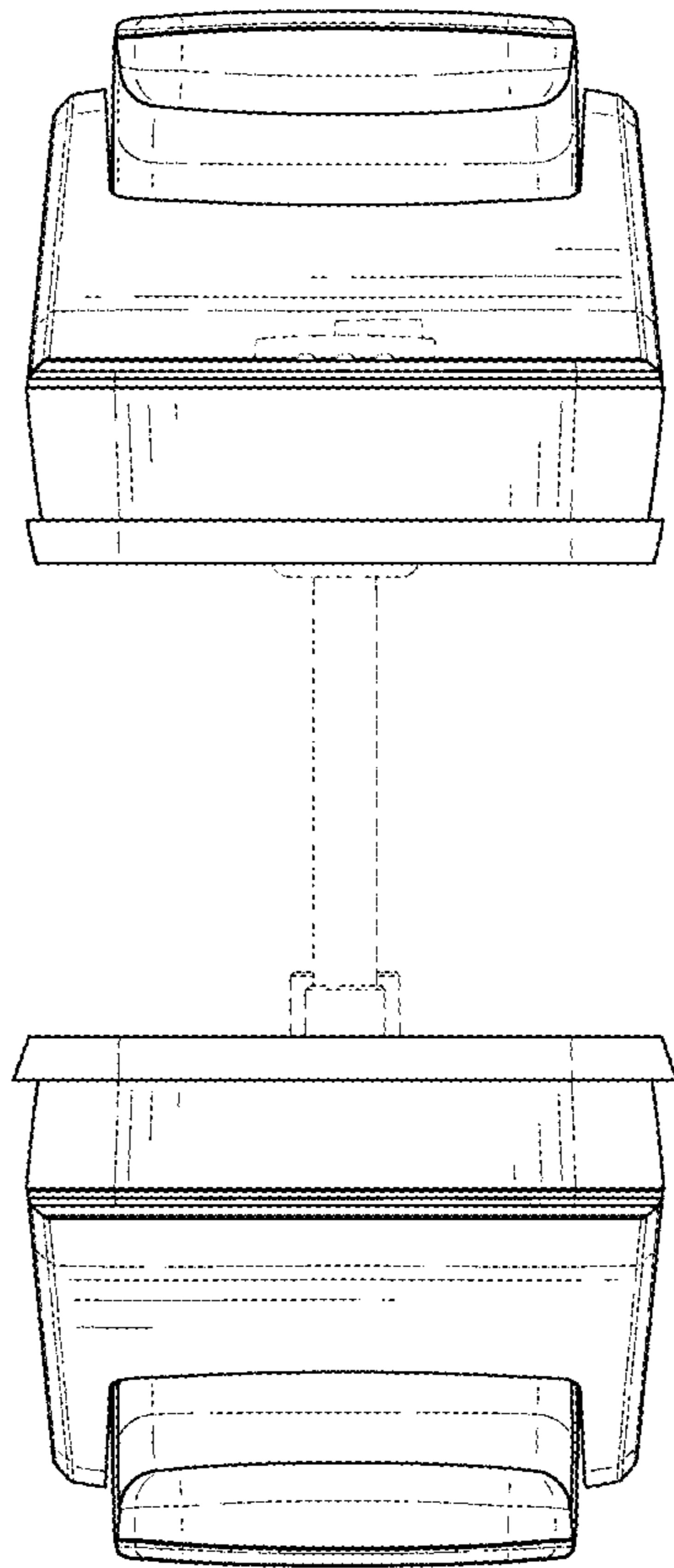


FIG. 6

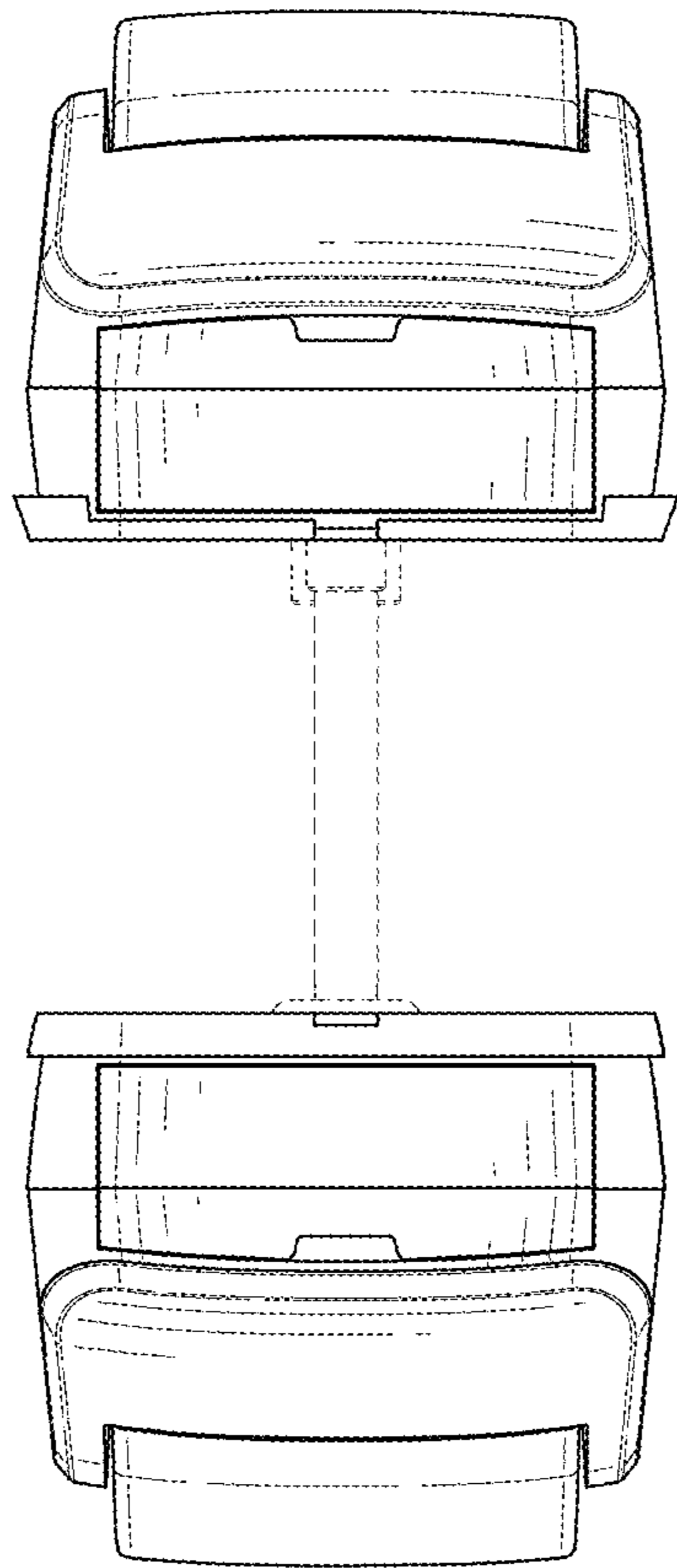


FIG. 7

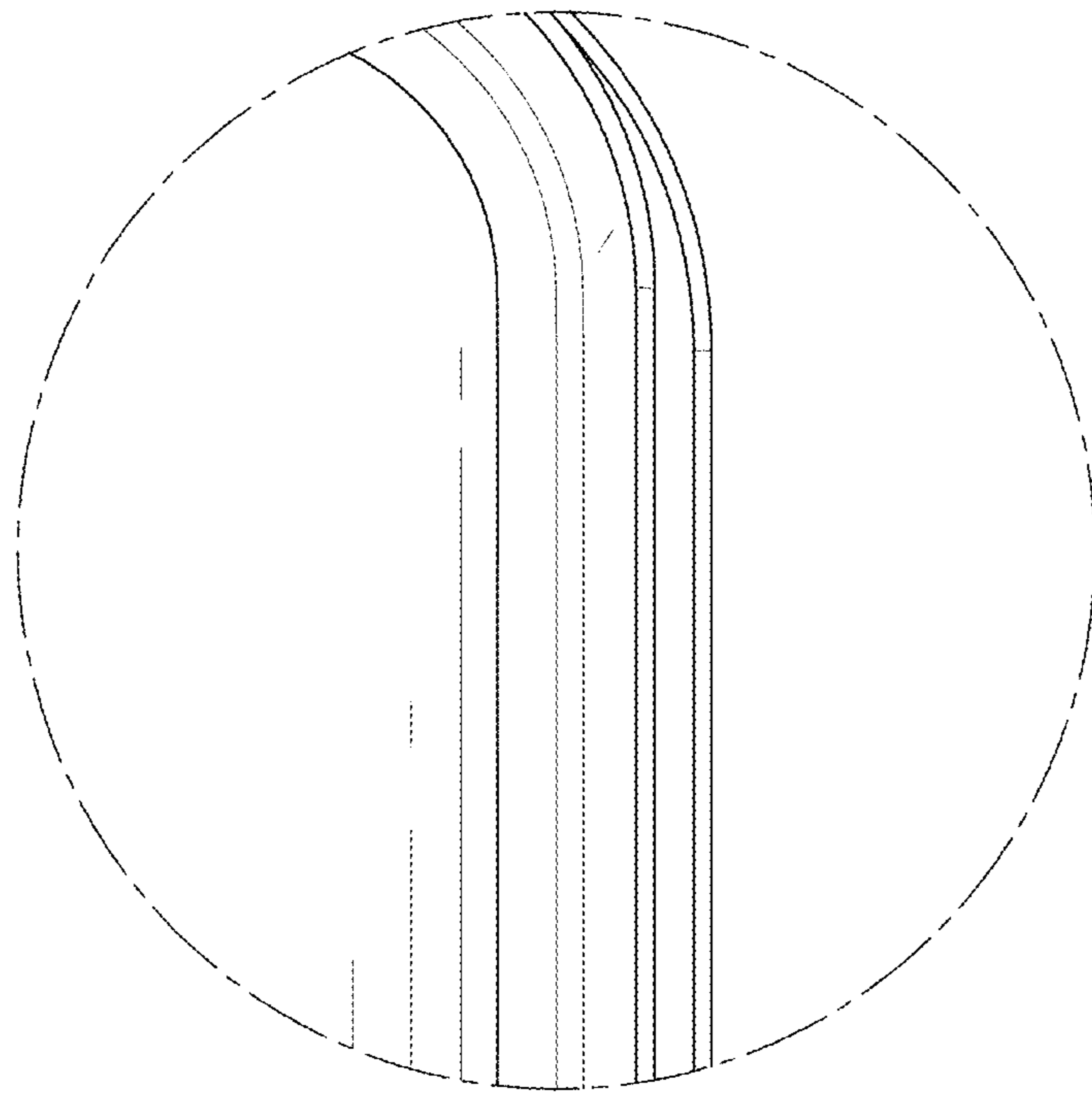


FIG. 8