



US00D954528S

(12) **United States Design Patent**
Park

(10) **Patent No.:** **US D954,528 S**

(45) **Date of Patent:** **** Jun. 14, 2022**

(54) **PULL**

(71) Applicant: **DELTA FAUCET COMPANY,**
Indianapolis, IN (US)

(72) Inventor: **Maris Park,** McCordsville, IN (US)

(73) Assignee: **DELTA FAUCET COMPANY,**
Indianapolis, IN (US)

(**) Term: **15 Years**

(21) Appl. No.: **29/754,249**

(22) Filed: **Oct. 8, 2020**

(51) **LOC (13) Cl.** **08-06**

(52) **U.S. Cl.**
USPC **D8/306**

(58) **Field of Classification Search**
USPC D8/306, 315-316, 319-322, DIG. 1
CPC . A47B 95/02; A47B 2095/022; Y10T 16/458;
Y10T 16/462; Y10T 16/4644
See application file for complete search history.

(56) **References Cited**

U.S. PATENT DOCUMENTS

- 93,678 A * 8/1869 Churchill B65D 25/2841
16/445
- 339,894 A * 4/1886 Jones A47B 95/02
16/419
- 461,711 A * 10/1891 Preston A47B 95/02
16/419
- 766,124 A * 7/1904 Turner A47B 95/02
16/419
- 808,533 A * 12/1905 Frank A47B 95/02
16/419
- 844,902 A * 2/1907 Snyder A47B 95/02
16/419
- 893,297 A * 7/1908 Bassick A47B 95/02
16/419
- 1,947,942 A * 2/1934 Keeler A47B 95/02
16/419

- D143,238 S * 12/1945 Pfefferkorn D8/321
- 2,594,027 A * 4/1952 Jakeway A47B 95/02
16/419
- D193,768 S * 10/1962 Hazenberg D8/306
- 3,082,473 A * 3/1963 West A45C 13/26
16/445
- 3,248,750 A * 5/1966 Black A47B 95/02
16/419
- 3,673,634 A * 7/1972 Van Ryn A47B 95/02
16/419
- D225,717 S * 1/1973 Watt, Jr. D8/306

(Continued)

OTHER PUBLICATIONS

“Liberty 3 in. Parson Bail Pull”, Sep. 26, 2014, Amazon.com, site visited Jan. 20, 2022: <https://www.amazon.com/dp/B00KVR67J0> (Year: 2014).*

(Continued)

Primary Examiner — Jack Reickel
Assistant Examiner — Michael A Kervin
(74) *Attorney, Agent, or Firm* — Nirav D. Parikh; Edgar A. Zarins

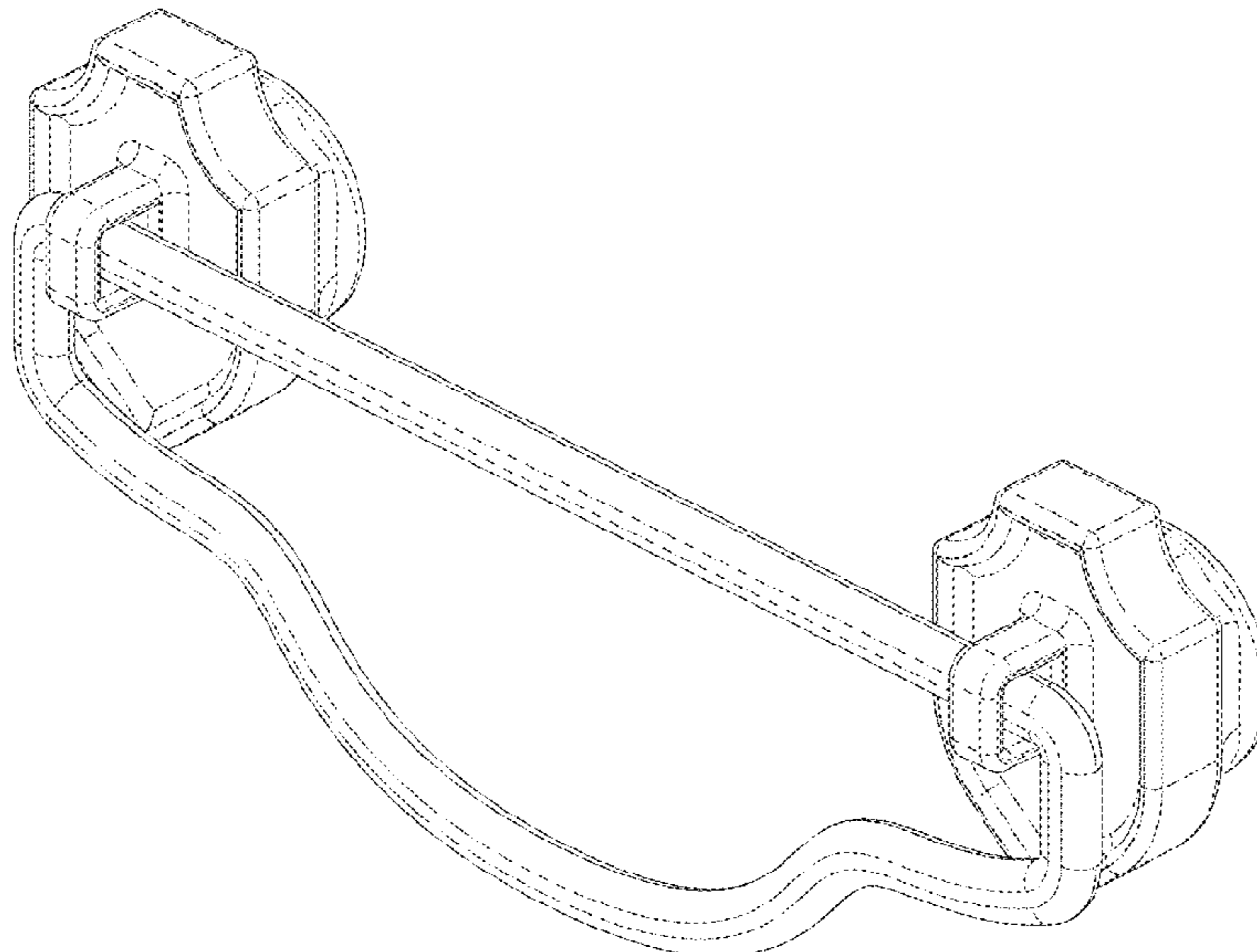
(57) **CLAIM**

The ornamental design for a pull, as shown and described.

DESCRIPTION

FIG. 1 is a front perspective view of a pull showing my new design;
FIG. 2 is a rear perspective view thereof;
FIG. 3 is a front elevational view thereof;
FIG. 4 is a left side view thereof;
FIG. 5 is a rear view thereof;
FIG. 6 is a right side view thereof;
FIG. 7 is a top plan view thereof; and,
FIG. 8 is a bottom view thereof.

1 Claim, 4 Drawing Sheets



(56)

References Cited

U.S. PATENT DOCUMENTS

| | | | | | |
|-----------|------|---------|------------------|-------------|--------|
| 3,769,655 | A * | 11/1973 | Cartwright | A47B 95/02 | 16/419 |
| 4,009,506 | A * | 3/1977 | Henriksen | A47B 95/02 | 16/419 |
| D246,421 | S * | 11/1977 | Ridgway | D8/306 | |
| D246,689 | S * | 12/1977 | Clayton | D8/307 | |
| D283,977 | S * | 5/1986 | Kunzler | D8/301 | |
| D320,334 | S * | 10/1991 | Clancy | D8/301 | |
| 5,144,719 | A * | 9/1992 | Arthur | H01M 50/256 | 16/423 |
| 5,901,414 | A * | 5/1999 | VanHuis | A47B 95/02 | 16/419 |
| D427,572 | S * | 7/2000 | Solomon | D14/439 | |
| D448,269 | S * | 9/2001 | Willems | D8/301 | |
| 6,421,882 | B1 * | 7/2002 | Liao | A47B 95/02 | 16/415 |
| D597,817 | S * | 8/2009 | Menzies | D8/306 | |
| D625,574 | S * | 10/2010 | Burns | D8/306 | |
| D715,619 | S * | 10/2014 | Fritz | D8/306 | |

OTHER PUBLICATIONS

“LynnsGraceland Brass Bail Drawer Pull”, Jan. 25, 2019, Amazon.com, site visited Jan. 20, 2022: <https://www.amazon.com/Centers-Drawer-Dresser-Handle-Vintage/dp/B08PSYK54V> (Year: 2019).*

“LynnsGraceland Matte Black Bail Drawer Pull”, Jan. 31, 2019, Amazon.com, site visited Jan. 20, 2022: <https://www.amazon.com/Handles-Cabinet-Dresser-Kitchen-Hardware/dp/B085HJ2F4V> (Year: 2019).*

“Large Chippendale Rosette Pull”, Aug. 3, 2019, Amazon.com, site visited Jan. 20, 2022: <https://www.amazon.com/Large-Chippendale-Rosette-Antique-Hand/dp/B01N1ICUWV> (Year: 2019).*

“Liberty Notched Backplate Cabinet & Drawer Pull”, Feb. 13, 2020, Amazon.com, site visited Jan. 20, 2022: <https://www.amazon.com/Liberty-P40123C-SN-Notched-Backplate-Cabinet/dp/B09K5WH7X6> (Year: 2020).*

* cited by examiner

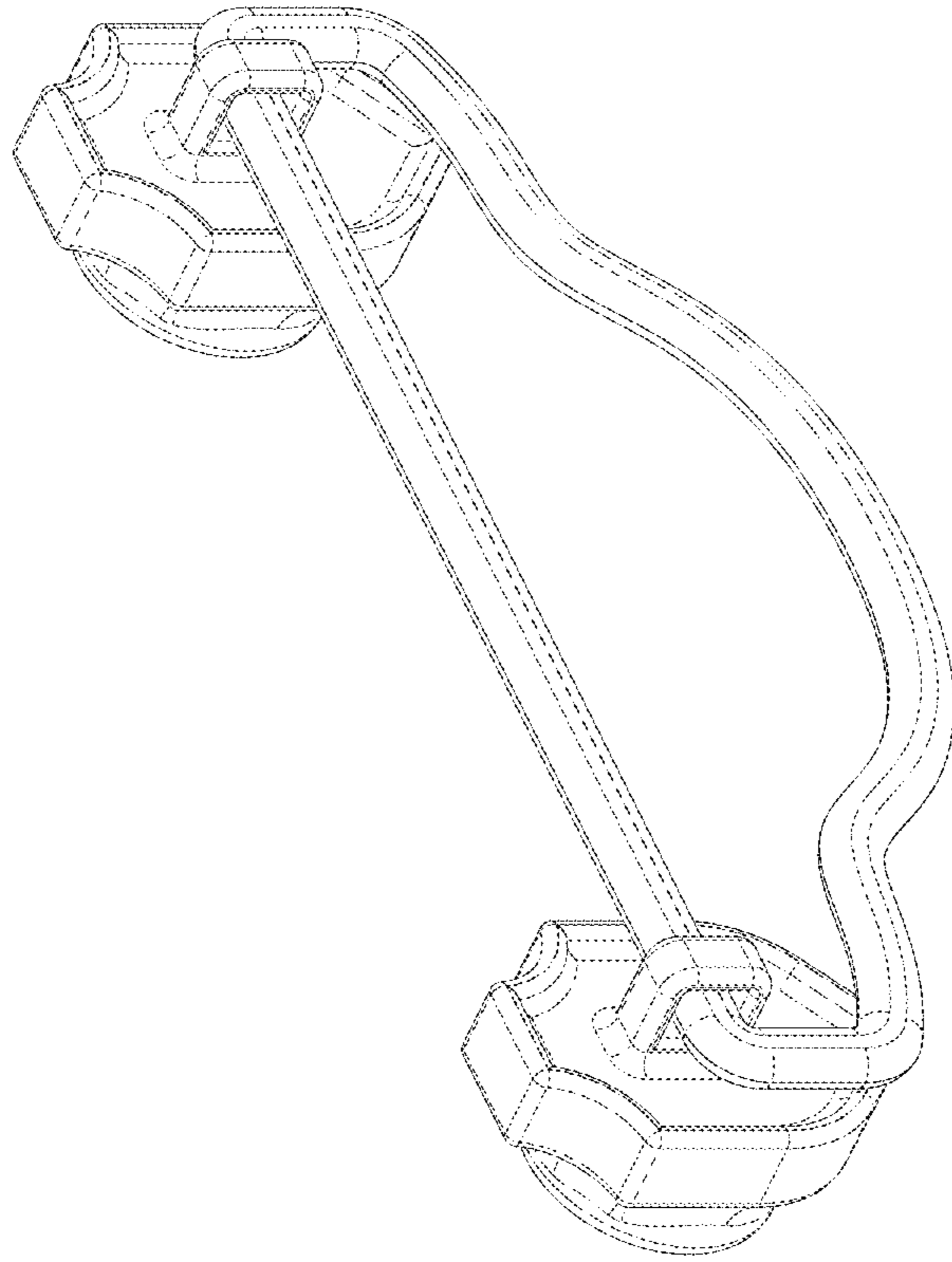


FIG - 2

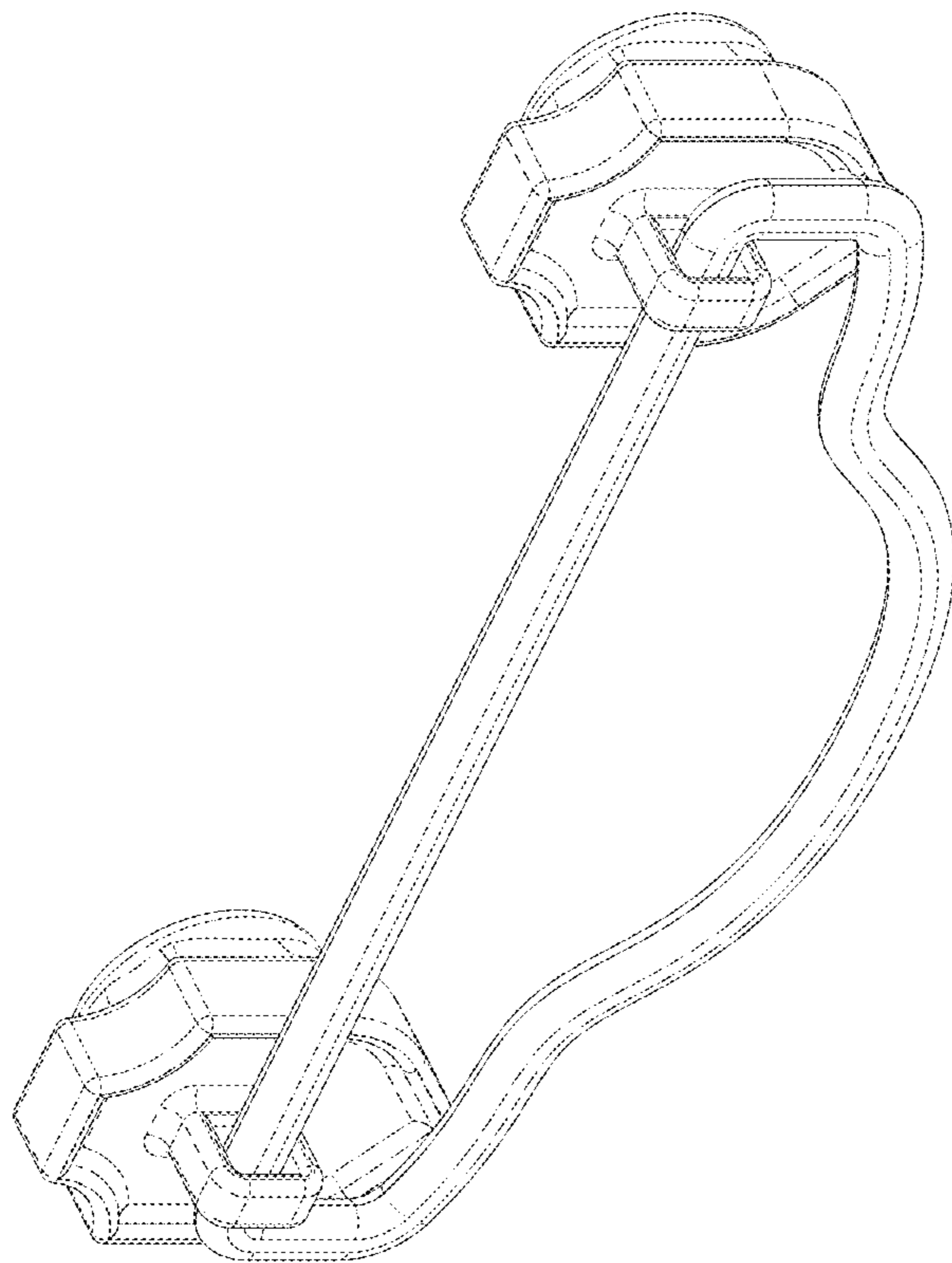


FIG - 1

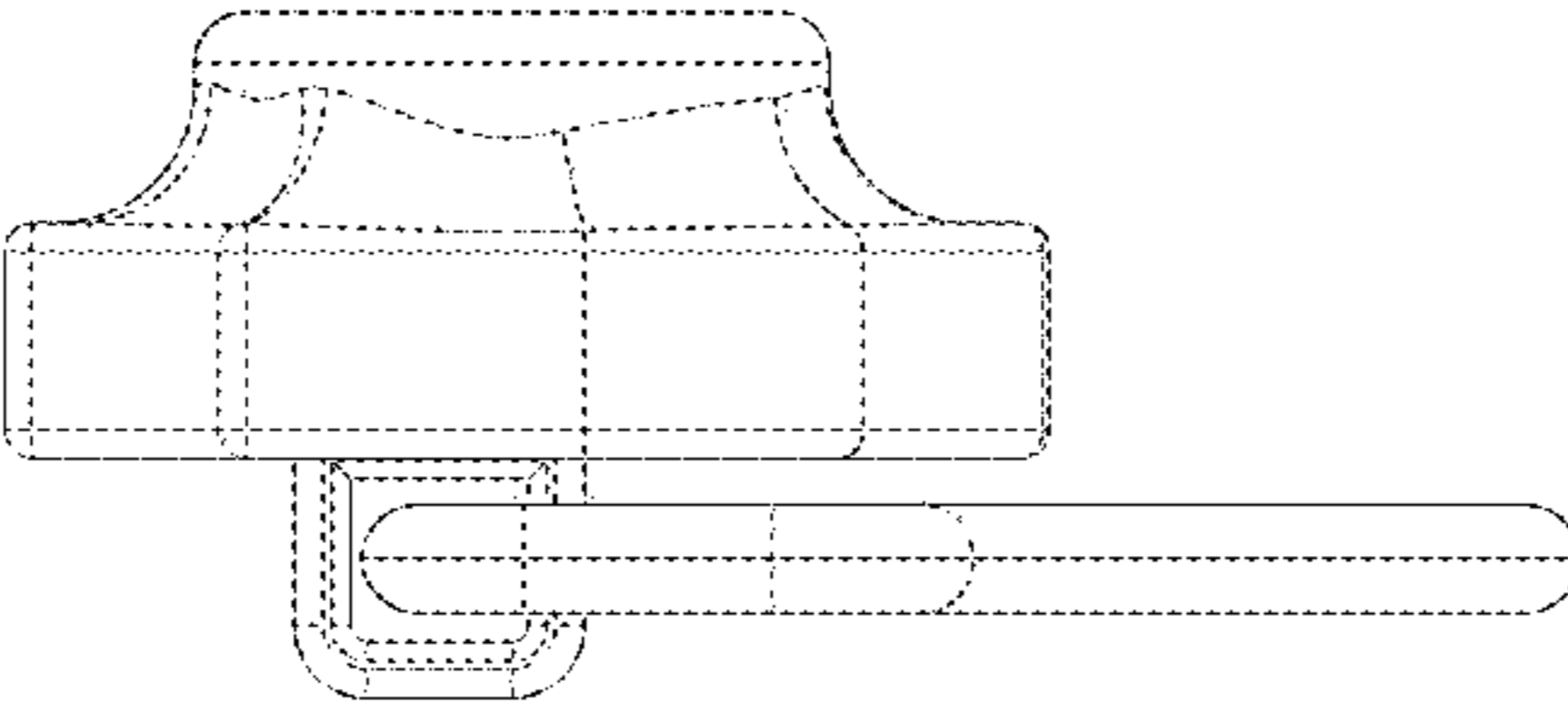


FIG - 4

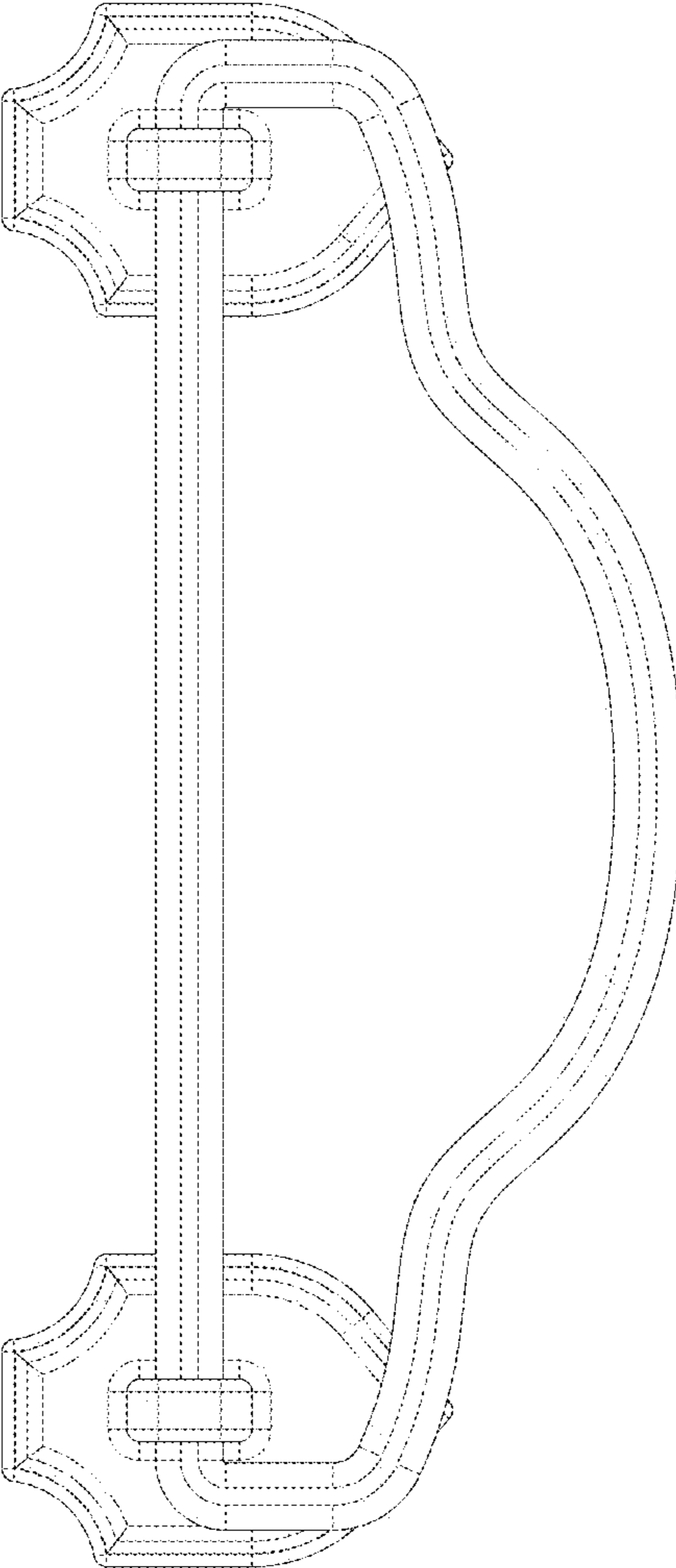


FIG - 3

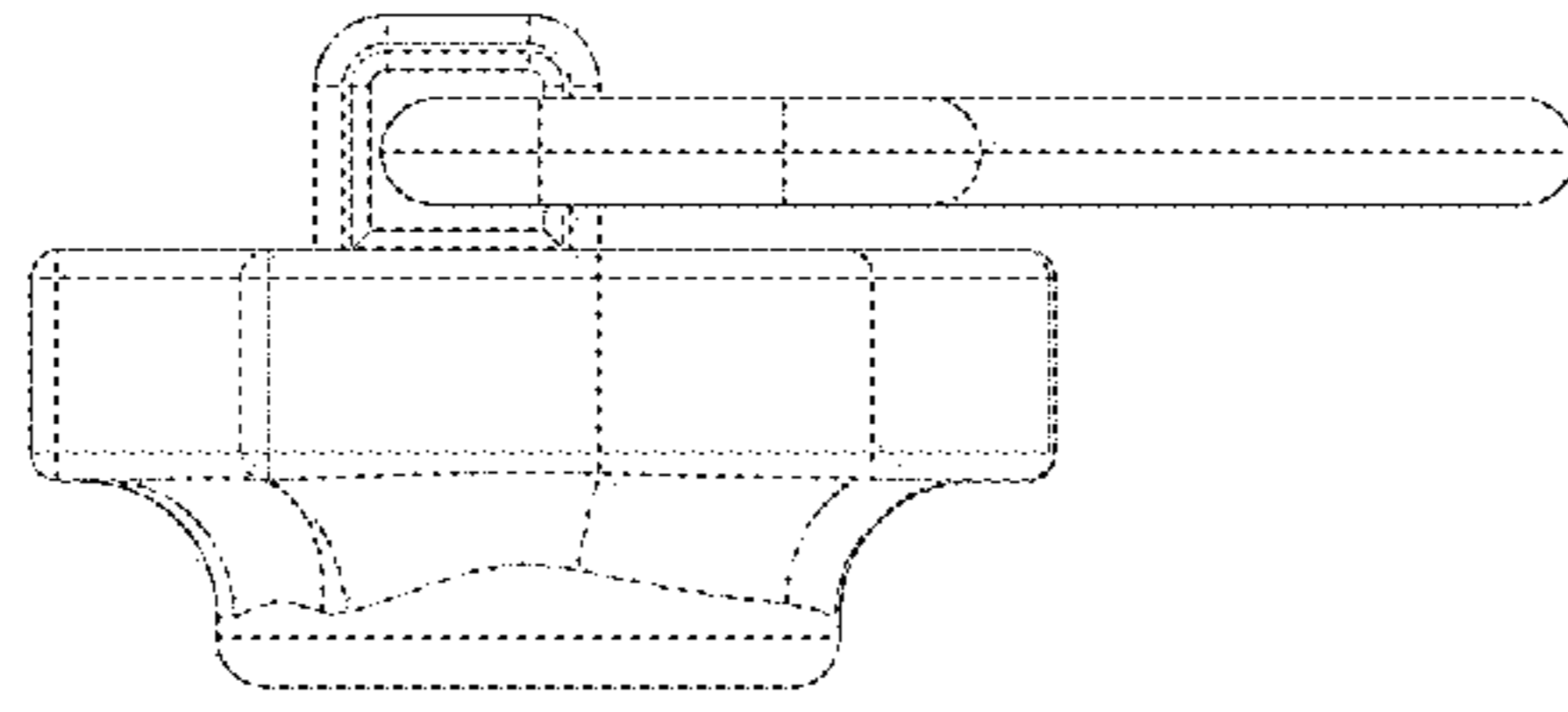


FIG - 6

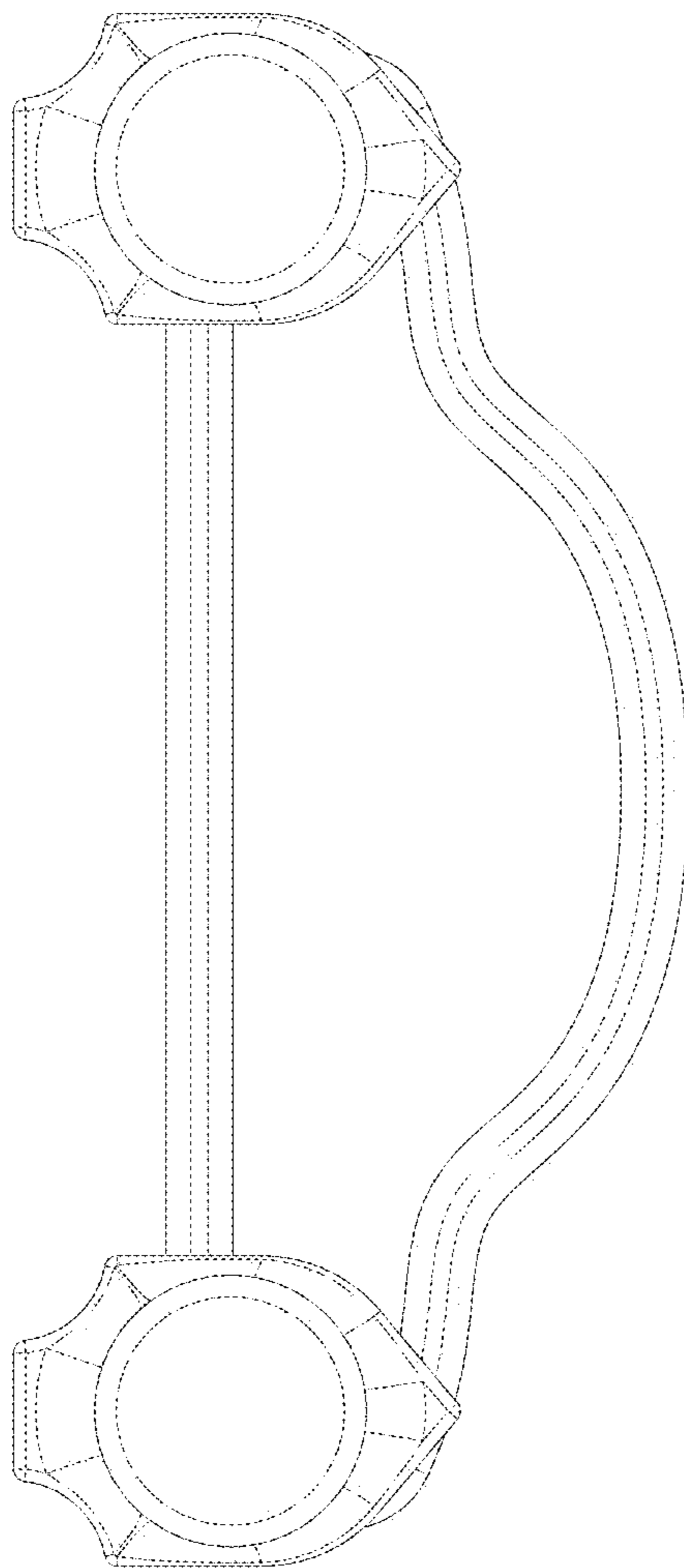


FIG - 5

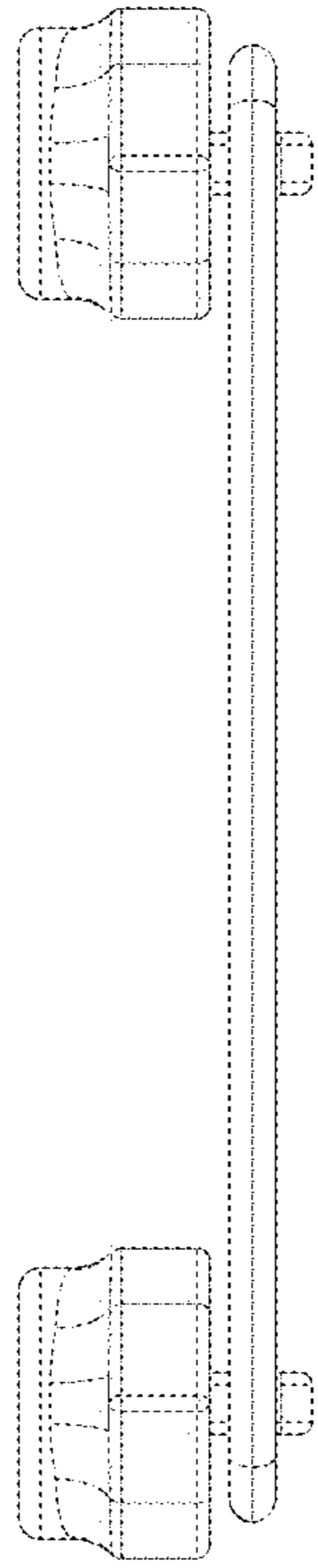


FIG - 8

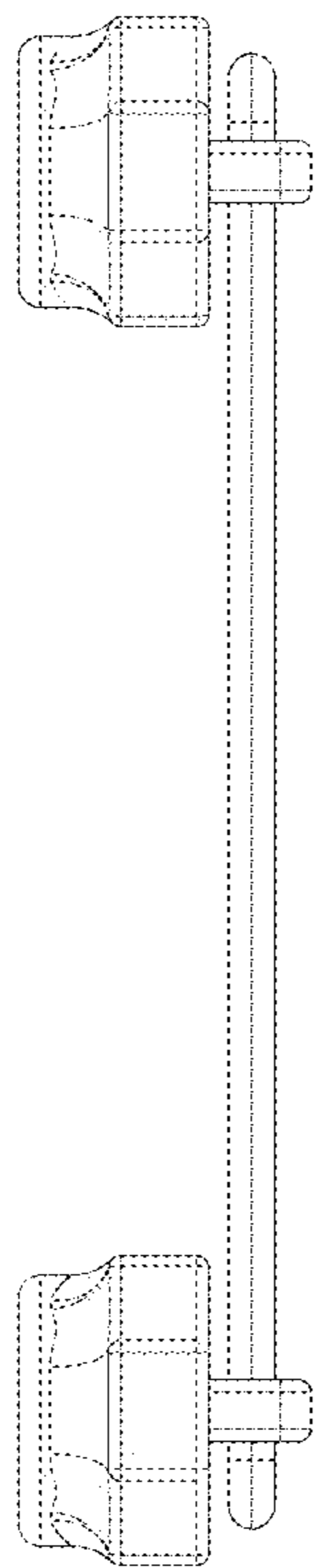


FIG - 7