



US00D954526S

(12) **United States Design Patent**
Michalak et al.

(10) **Patent No.:** **US D954,526 S**
(45) **Date of Patent:** **** Jun. 14, 2022**

- (54) **SHOWER DOOR HANDLE**
- (71) Applicant: **HANSGROHE SE**, Schiltach (DE)
- (72) Inventors: **Marc Michalak**, Kornwestheim (DE);
Andreas Diefenbach,
Ludwigsburg-Ossweil (DE)
- (73) Assignee: **Hansgrohe SE**, Schiltach (DE)

7,316,324	B1 *	1/2008	Myllykangas	A47K 10/04 211/16
D584,129	S *	1/2009	Miller	D8/315
D584,936	S *	1/2009	Ricereto	D8/315
D766,695	S *	9/2016	Mattrisch	D8/301
2004/0003459	A1 *	1/2004	Ferreri	A47K 3/281 4/597
2014/0237899	A1 *	8/2014	Felmeri	B25G 3/38 49/168
2017/0311763	A1 *	11/2017	Morin	E05D 15/0608
2018/0344098	A1 *	12/2018	Lieb	E05D 5/14

(**) Term: **15 Years**

(21) Appl. No.: **29/753,667**

(22) Filed: **Oct. 1, 2020**

(30) **Foreign Application Priority Data**

Apr. 3, 2020 (EM) 007784053

(51) **LOC (13) Cl.** **08-06**

(52) **U.S. Cl.**
USPC **D8/301; D8/315**

(58) **Field of Classification Search**
USPC D8/301-303, 315-320; D23/250, 252,
D23/253, 305
CPC . A47K 3/34; A47K 3/36; A47K 3/281; A47K
3/001; A47K 3/003; A47K 3/362; A47K
17/022; A47K 10/04; A47K 10/12
See application file for complete search history.

(56) **References Cited**

U.S. PATENT DOCUMENTS

D239,798	S *	5/1976	Vrignaud	D8/316
D254,461	S *	3/1980	Tegner	D6/549
5,893,181	A *	4/1999	Moncaster	E05D 15/0643 4/557

FOREIGN PATENT DOCUMENTS

CN	303340310	8/2015
EM	001730086-0019	8/2010
EM	002200519-0015	3/2013
EM	002200519-0018	3/2013
EM	002200527-0002	5/2013

* cited by examiner

Primary Examiner — Lauren R Calve

(74) *Attorney, Agent, or Firm* — Lora J Graentzdoerffer

(57) **CLAIM**

The ornamental design for a shower door handle, as shown and described.

DESCRIPTION

FIG. 1 is a perspective view of a shower door handle showing our design;
FIG. 2 is a front elevational view thereof;
FIG. 3 is a rear elevational view thereof;
FIG. 4 is a side elevational view thereof;
FIG. 5 is an opposite side elevational view thereof;
FIG. 6 is a top plan view thereof; and,
FIG. 7 is a bottom plan view thereof.

1 Claim, 7 Drawing Sheets

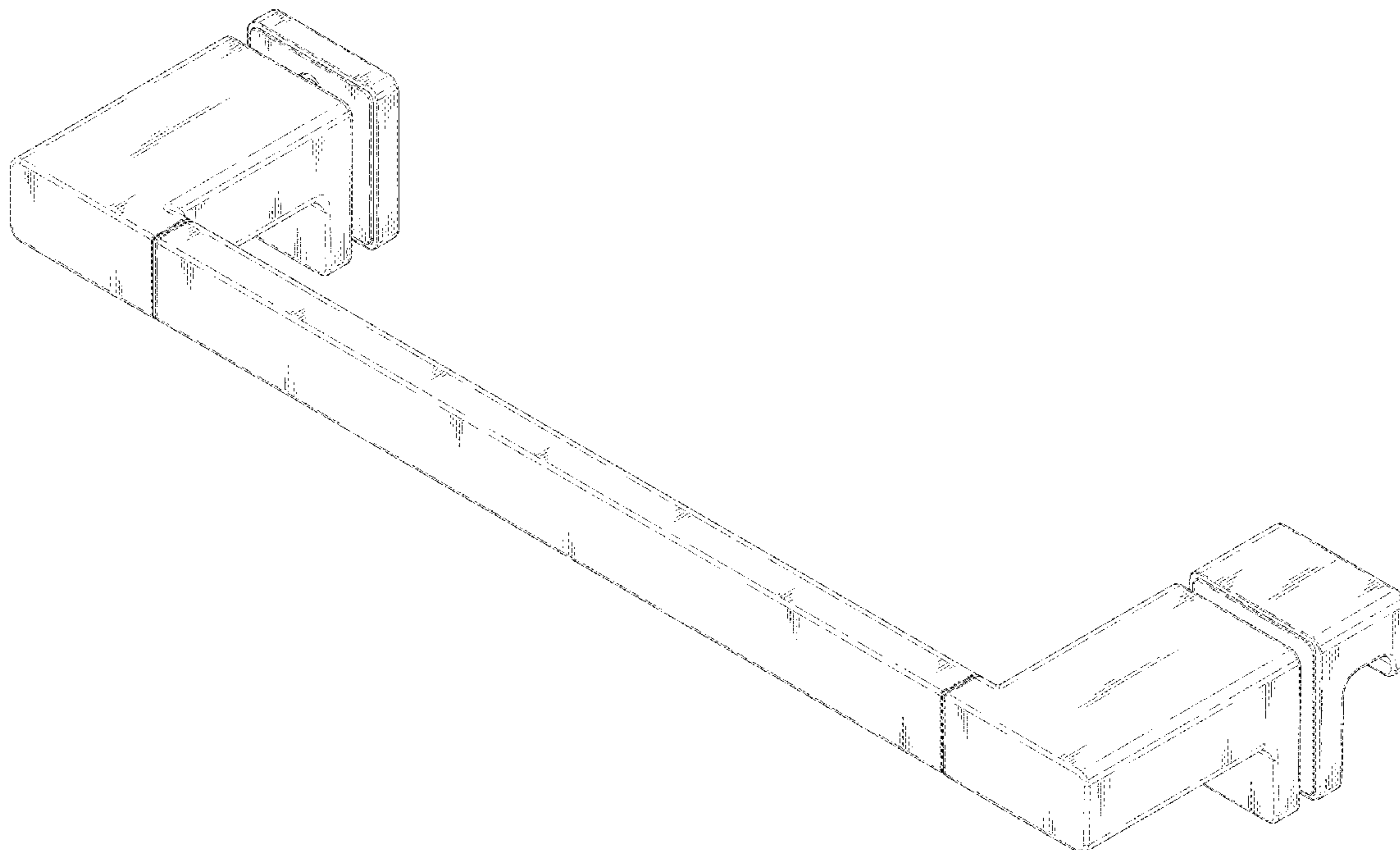


FIG. 1

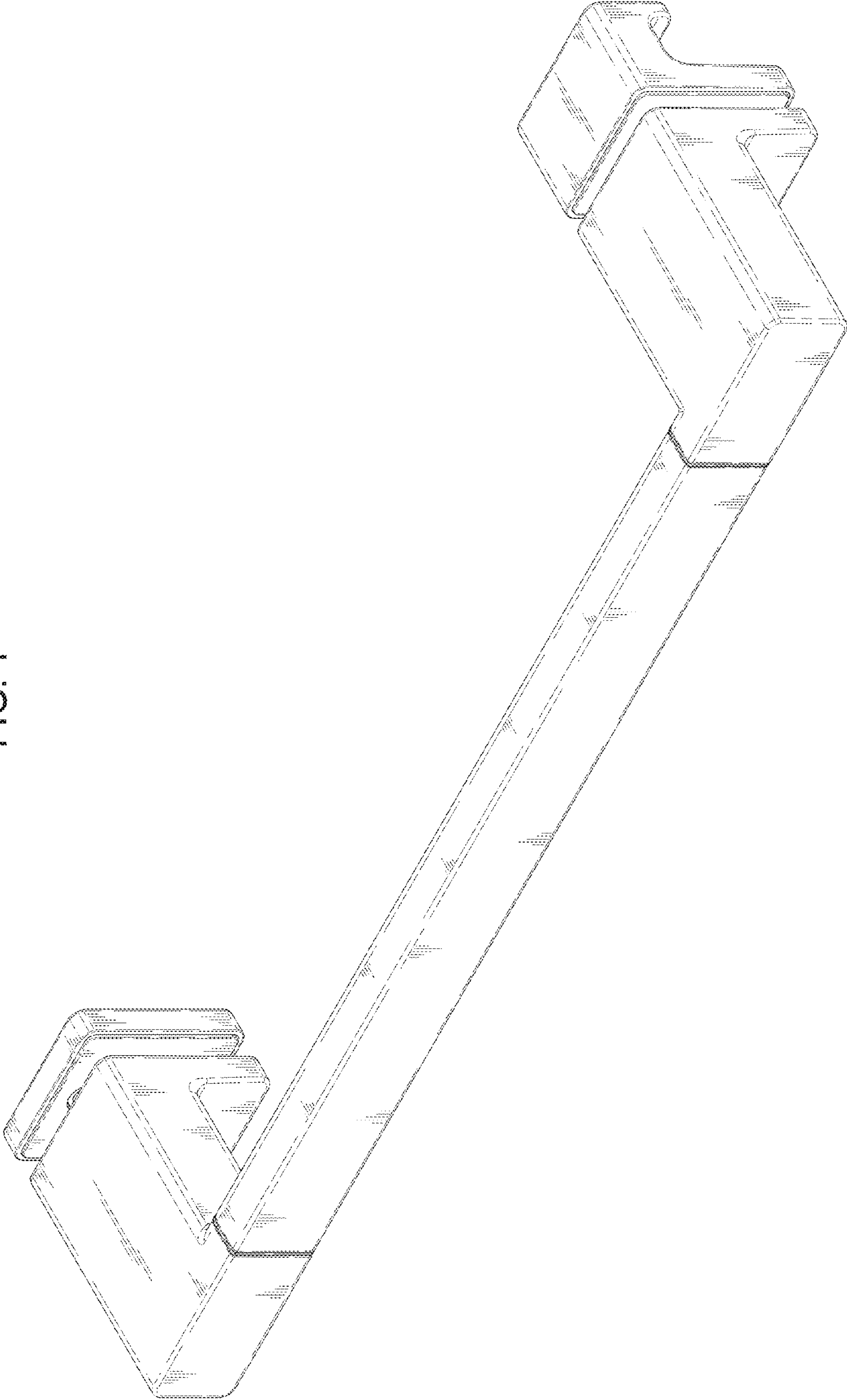


FIG. 2

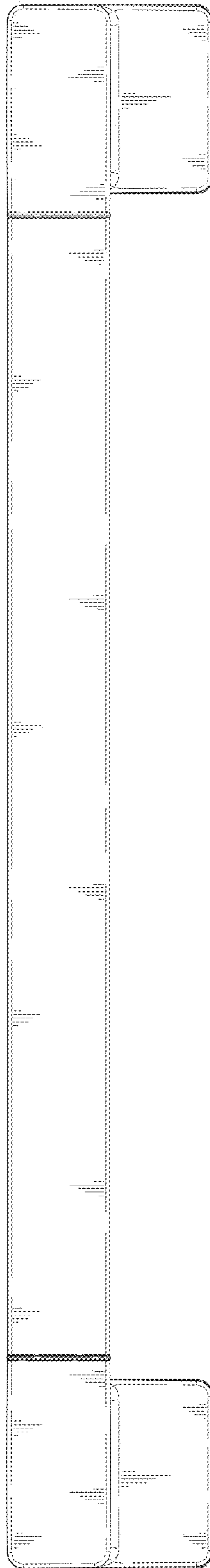


FIG. 3

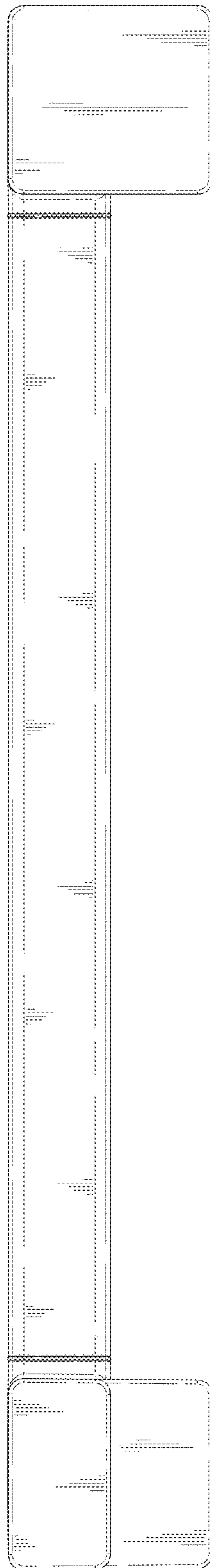


FIG. 4

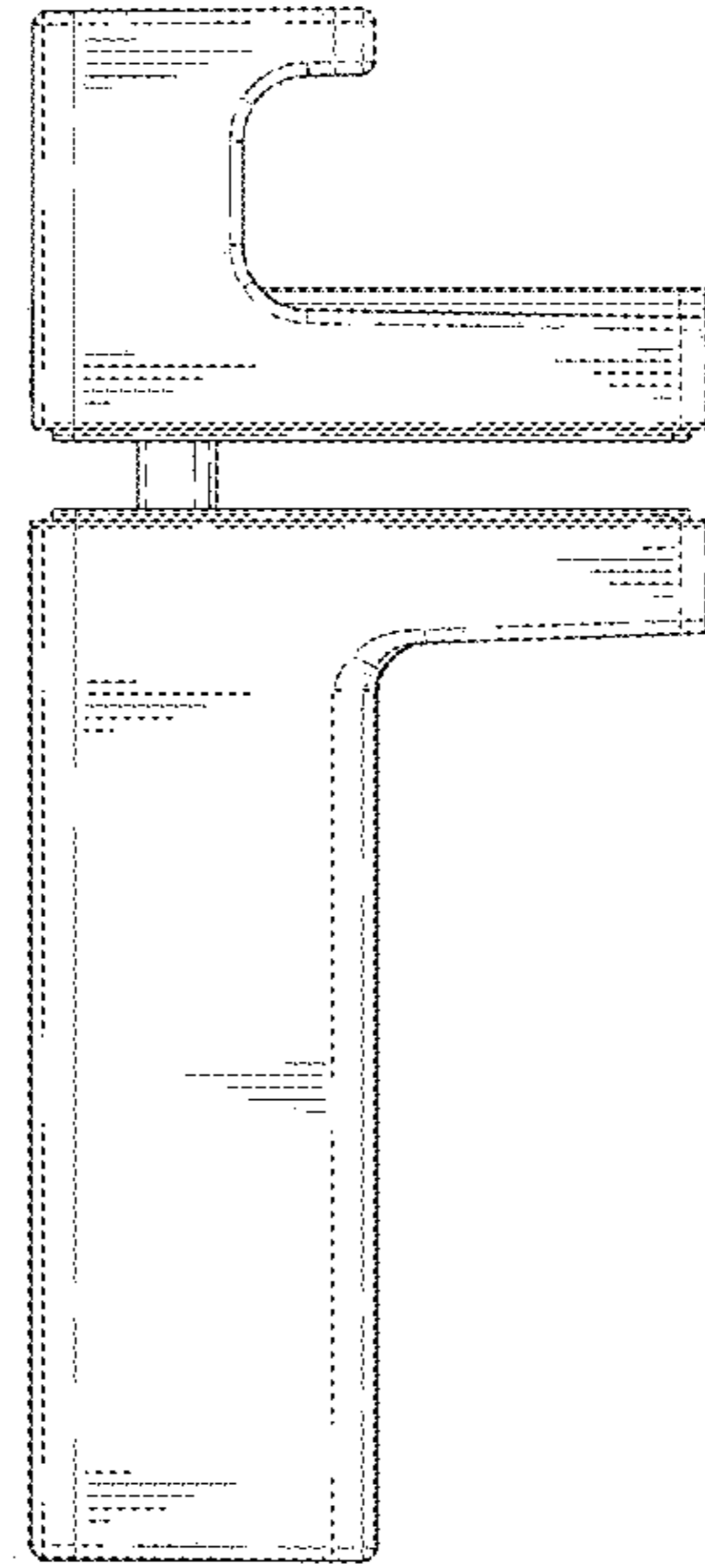


FIG. 5

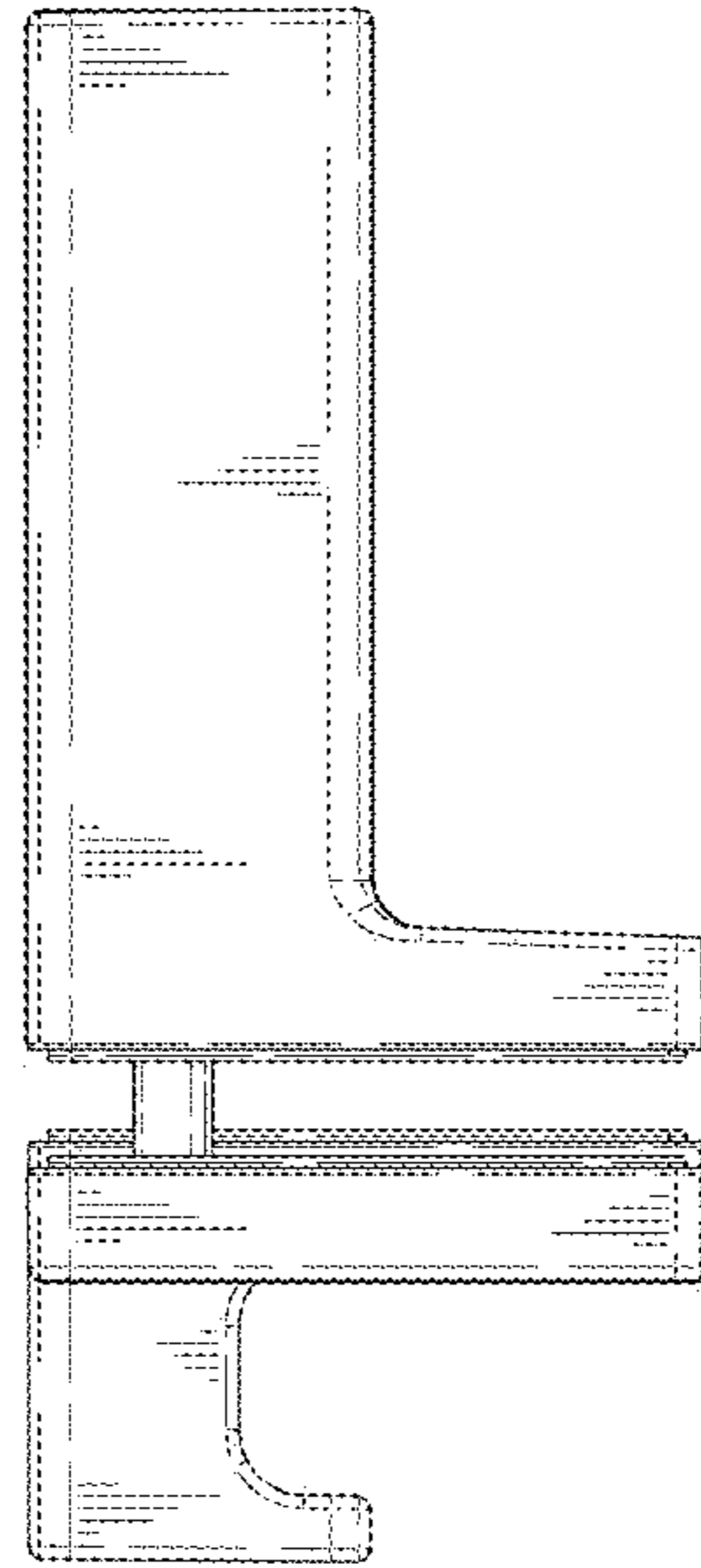


FIG. 6

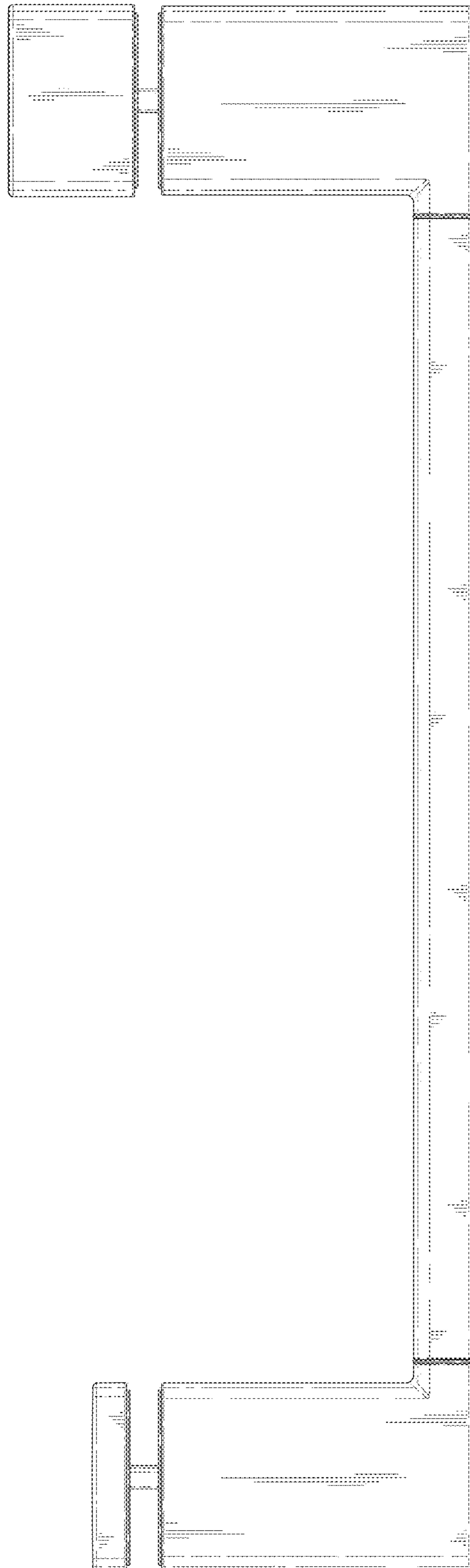


FIG. 7

