



US00D954525S

(12) **United States Design Patent**
Liu

(10) **Patent No.:** **US D954,525 S**
(45) **Date of Patent:** **** Jun. 14, 2022**

(54) **OUTDOOR TOOLS CARD**

Primary Examiner — Janice Hallmark

(71) Applicant: **Huiming Liu**, Leiyang (CN)

(72) Inventor: **Huiming Liu**, Leiyang (CN)

(57) **CLAIM**

(**) Term: **15 Years**

The ornamental design for a outdoor tools card, as shown and described.

(21) Appl. No.: **29/766,184**

(22) Filed: **Jan. 14, 2021**

(51) **LOC (13) Cl.** **08-05**

(52) **U.S. Cl.**

USPC **D8/105**; D8/19

(58) **Field of Classification Search**

USPC D8/105, 16–19

CPC B25F 1/00

See application file for complete search history.

DESCRIPTION

(56) **References Cited**

U.S. PATENT DOCUMENTS

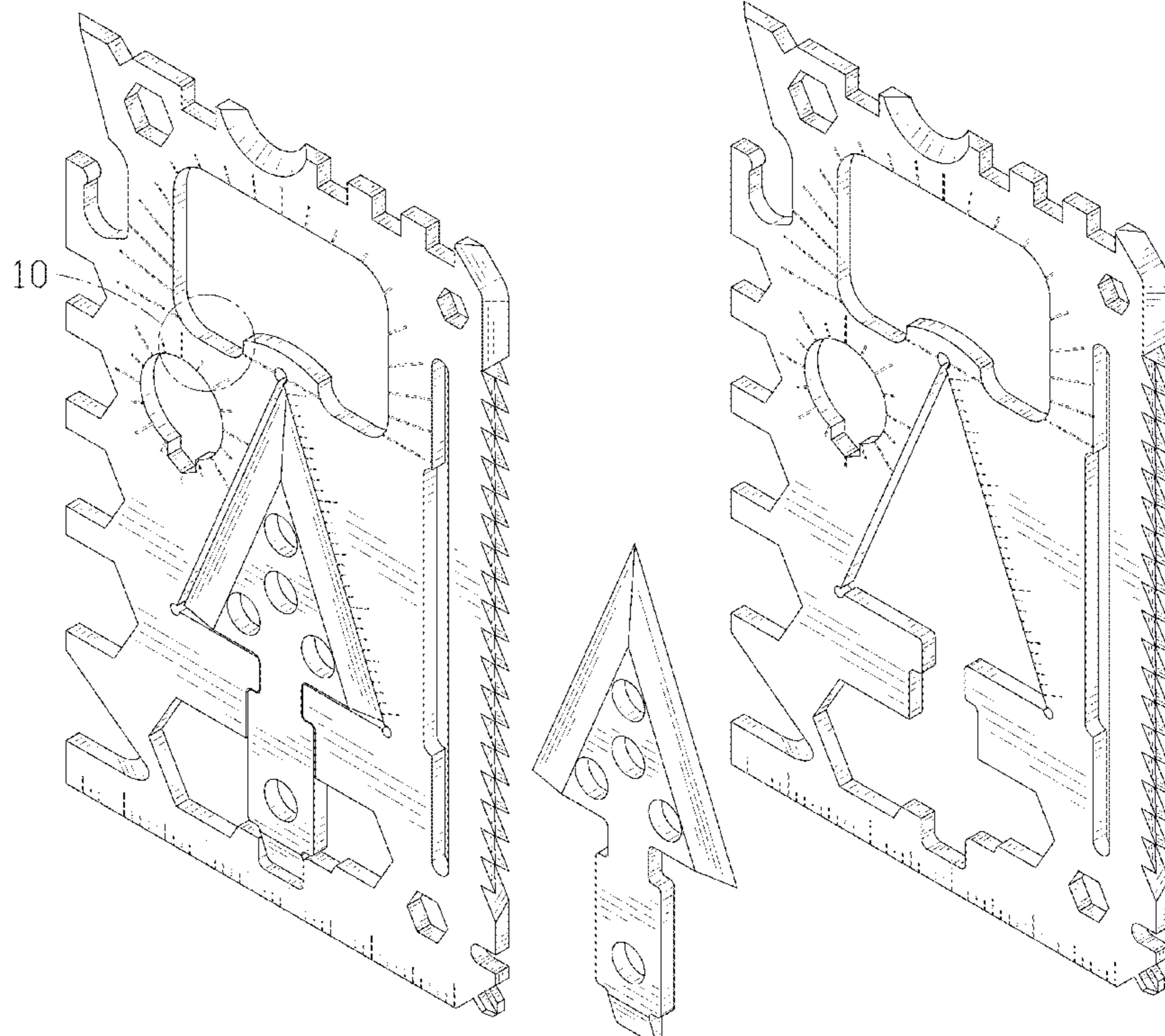
D751,877 S *	3/2016	Shlaferman	D8/19
D772,678 S *	11/2016	Haarburger	D8/19
D799,301 S *	10/2017	Cetera	D8/19
D817,196 S *	5/2018	Haarburger	D10/64
D827,408 S *	9/2018	Stefanczyk-Lacor	D8/105
D842,070 S *	3/2019	Kisling	D8/19
D866,276 S *	11/2019	Shlaferman	D8/19
D878,891 S *	3/2020	Polczynski	D8/105
D904,143 S *	12/2020	Hollinger	D8/19
D934,048 S *	10/2021	Polczynski	D8/105
D938,797 S *	12/2021	Kao	D8/105

FIG. 1 is a first perspective view of a outdoor tools card showing my new design;
 FIG. 2 is a second perspective view thereof;
 FIG. 3 is a front view thereof;
 FIG. 4 is a back view thereof;
 FIG. 5 is a left side view thereof;
 FIG. 6 is a right side view thereof;
 FIG. 7 is a top view thereof;
 FIG. 8 is a bottom view thereof;
 FIG. 9 is a perspective view of another state of the outdoor tools card thereof;
 FIG. 10 is an enlarged view of the selected portion in FIG. 1; and,
 FIG. 11 is an enlarged view of the selected portion in FIG. 2.

The broken lines shown in the drawings depict portions of the outdoor tools card in which the design is embodied that form no part of the claimed design.

* cited by examiner

1 Claim, 11 Drawing Sheets



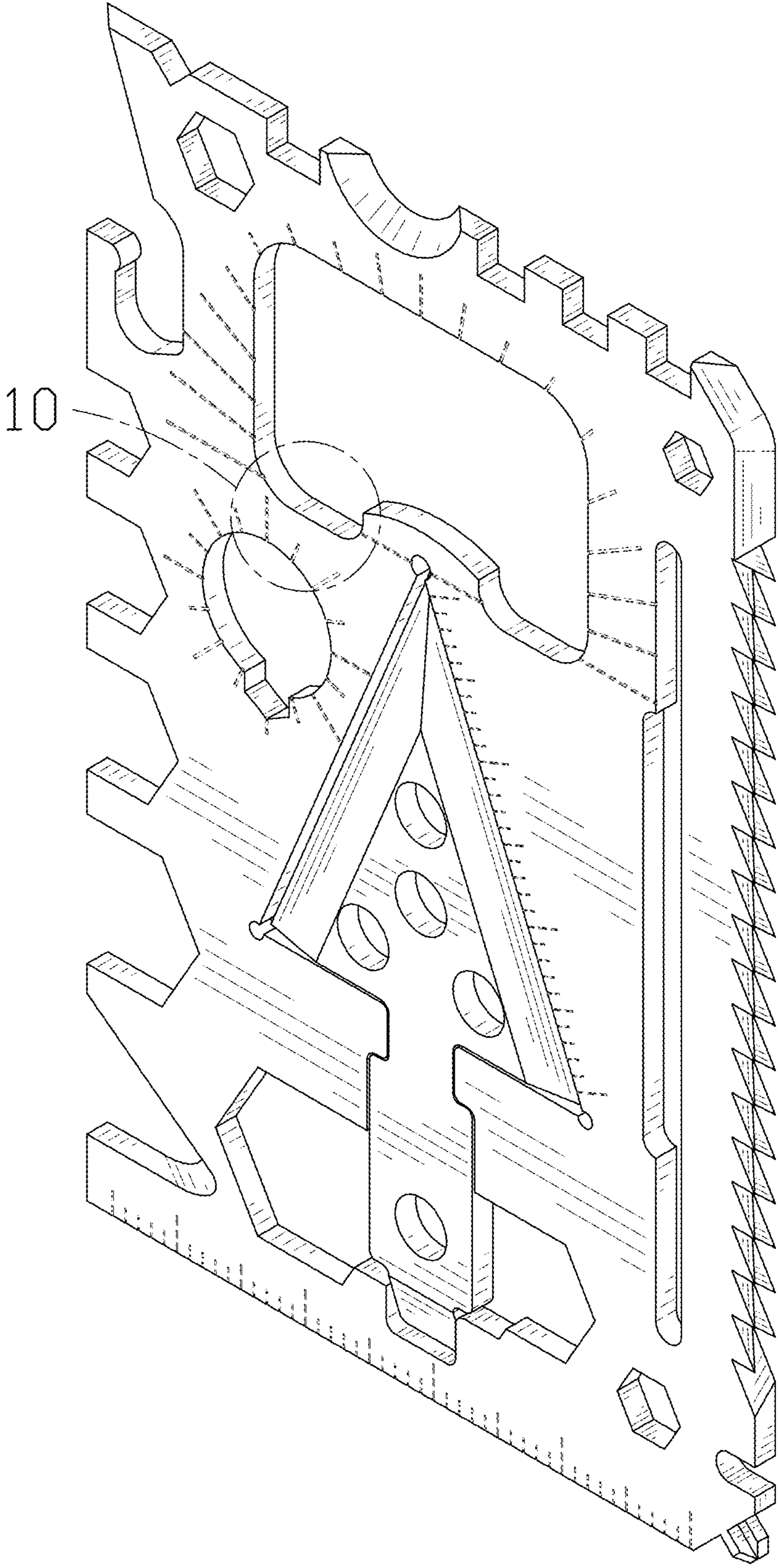


FIG. 1

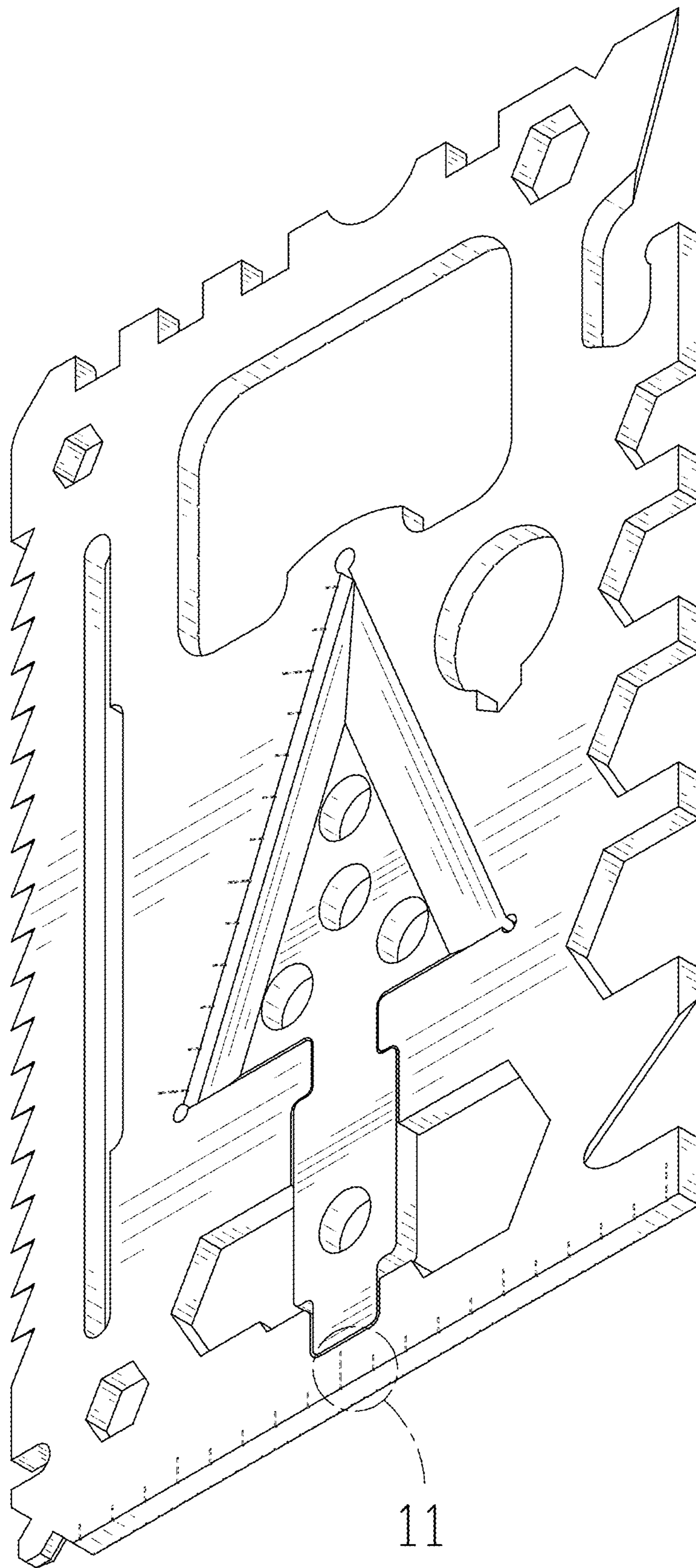


FIG. 2

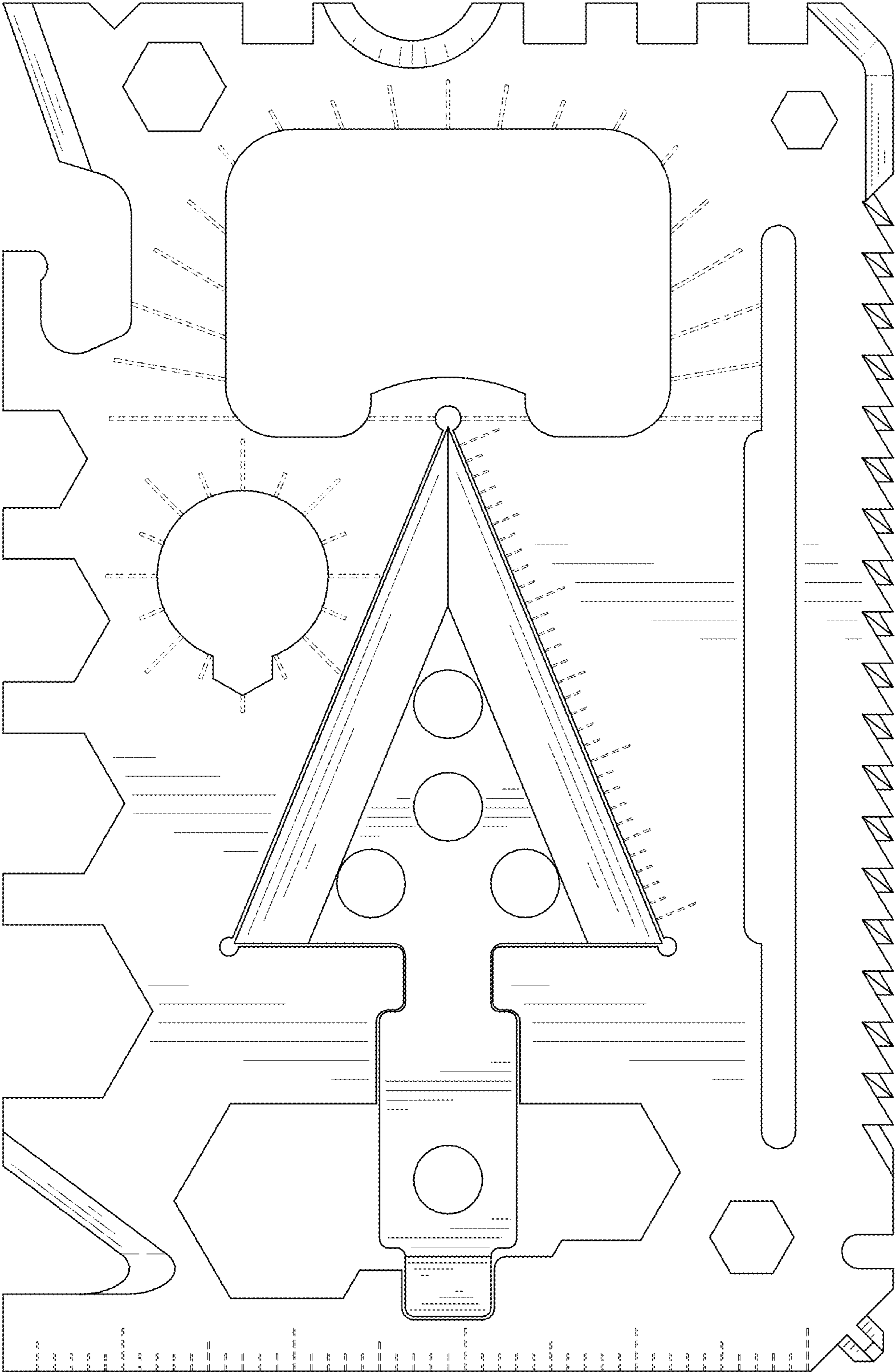


FIG. 3

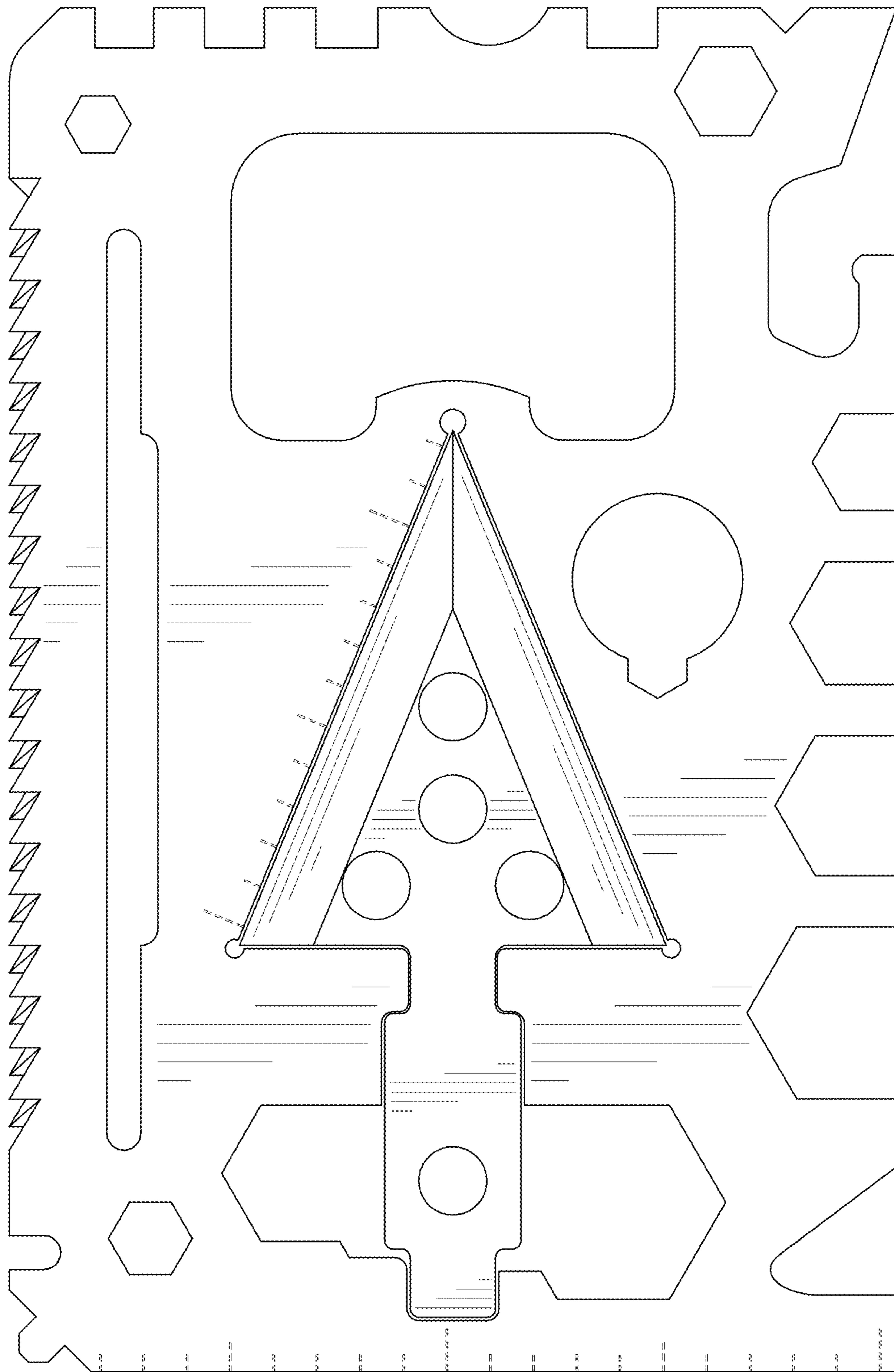


FIG. 4



FIG. 5



FIG. 6

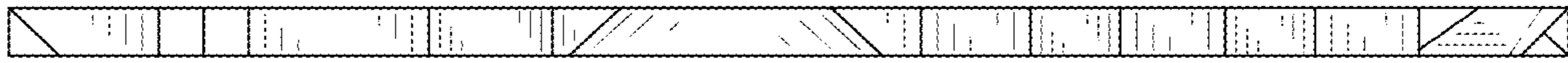


FIG. 7



FIG. 8

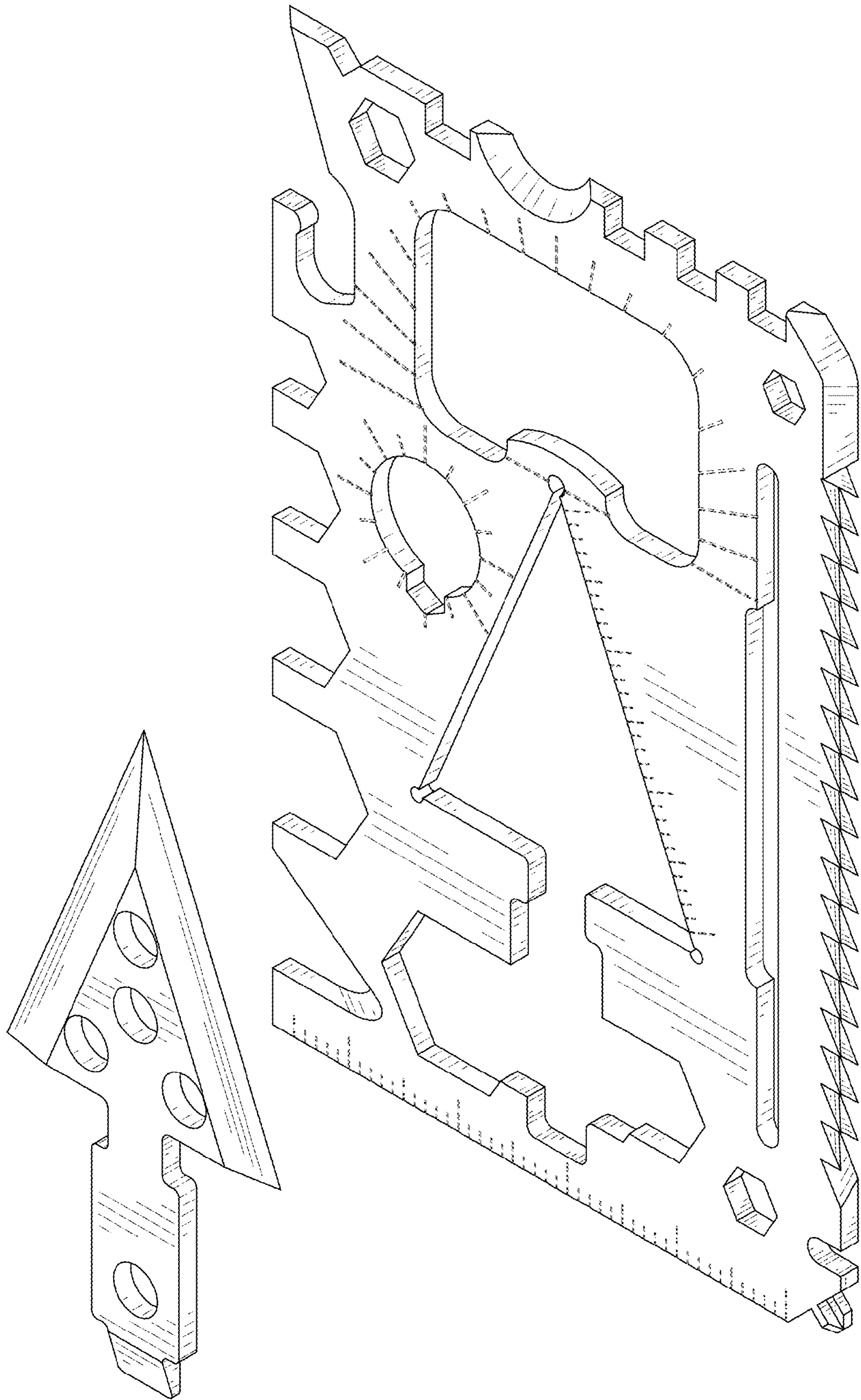


FIG. 9

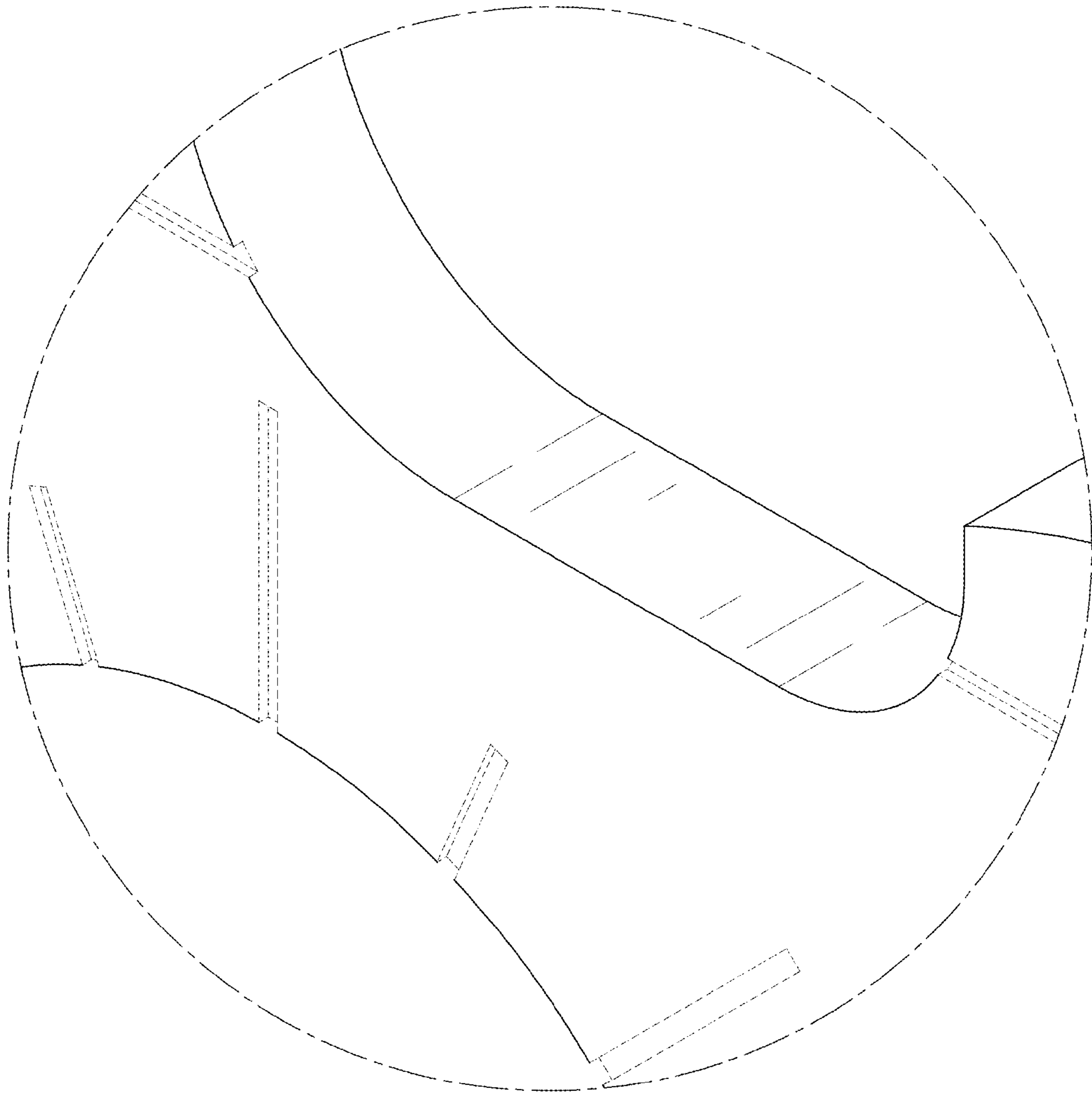


FIG. 10

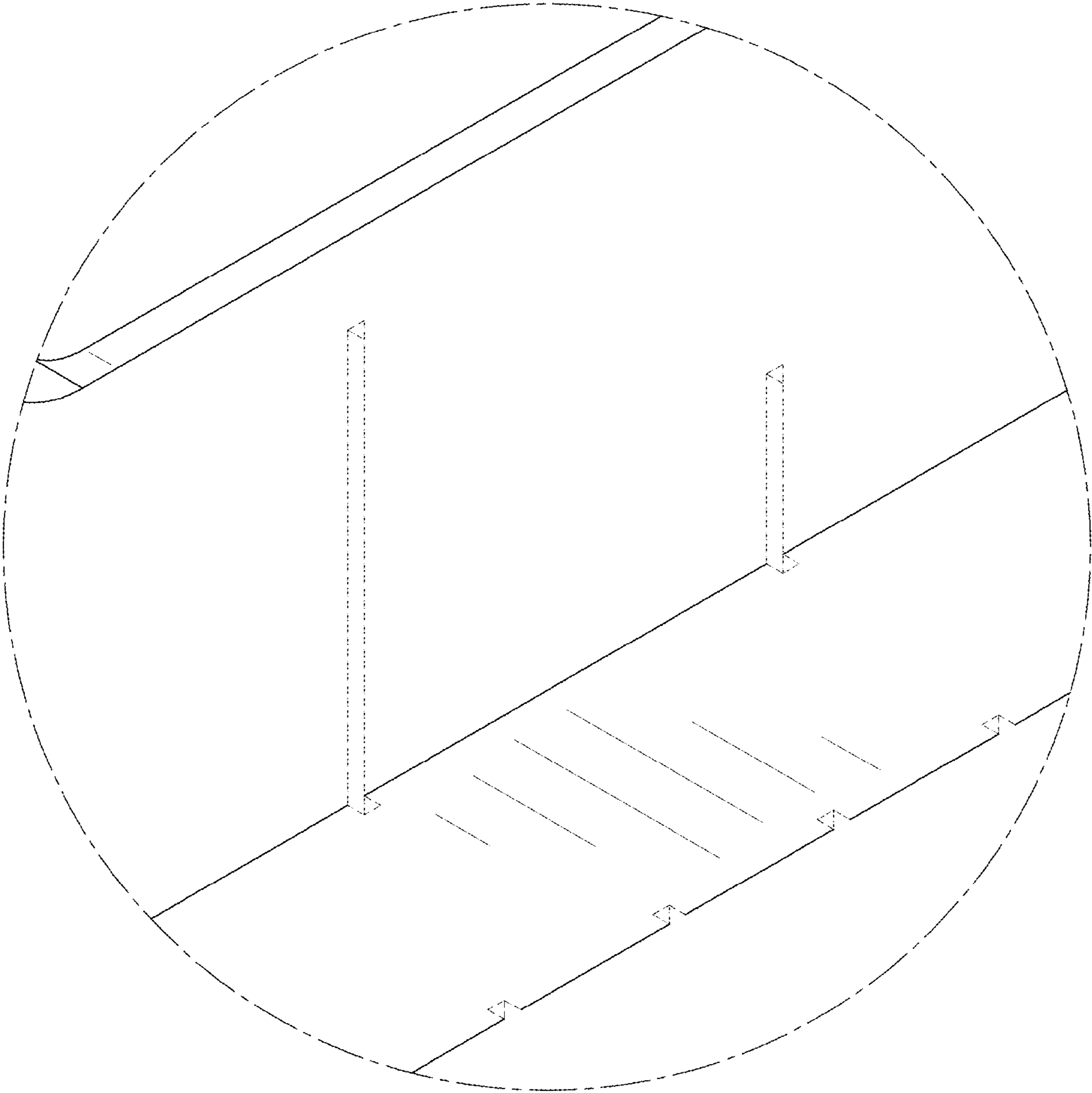


FIG. 11