



US00D954523S

(12) **United States Design Patent**  
**Sun**

(10) **Patent No.:** **US D954,523 S**  
(45) **Date of Patent:** **\*\* Jun. 14, 2022**

(54) **HACKSAW FRAME**

(71) Applicant: **Guoqiao Sun**, Hangzhou (CN)

(72) Inventor: **Guoqiao Sun**, Hangzhou (CN)

(\*\*) Term: **15 Years**

(21) Appl. No.: **29/777,747**

(22) Filed: **Apr. 8, 2021**

(30) **Foreign Application Priority Data**

Mar. 15, 2021 (CN) ..... 202130137856.4

(51) **LOC (13) Cl.** ..... **08-03**

(52) **U.S. Cl.**  
USPC ..... **D8/97; D8/96**

(58) **Field of Classification Search**  
USPC ..... D8/95, 96, 97, 98, 105, 107  
CPC ..... B23D 51/125; B23D 51/03; B23D 51/01;  
B23D 51/08; B23D 51/10  
See application file for complete search history.

(56) **References Cited**

**U.S. PATENT DOCUMENTS**

D333,249 S *	2/1993	Ciccone, III	.....	D8/97
5,722,173 A *	3/1998	Huang	.....	B23D 49/11 30/519
5,768,788 A *	6/1998	Arnold	.....	B23D 51/125 30/506
D409,892 S *	5/1999	Juhlin	.....	D8/96
6,134,791 A *	10/2000	Huang	.....	B23D 51/01 30/506
D514,418 S	2/2006	Critelli et al.		
D551,532 S *	9/2007	Huang	.....	D8/96
D574,209 S *	8/2008	Ranieri	.....	D8/97

D633,360 S	3/2011	Shih		
D755,034 S *	5/2016	DeBaker	.....	D8/97
D932,862 S *	10/2021	Sun	.....	D8/96
2010/0132203 A1 *	6/2010	Green	.....	B23D 51/125 30/513
2010/0192392 A1 *	8/2010	Scott	.....	B23D 51/125 30/513
2015/0020392 A1 *	1/2015	Harvey	.....	B27B 21/02 30/513

\* cited by examiner

*Primary Examiner* — Philip S Hyder

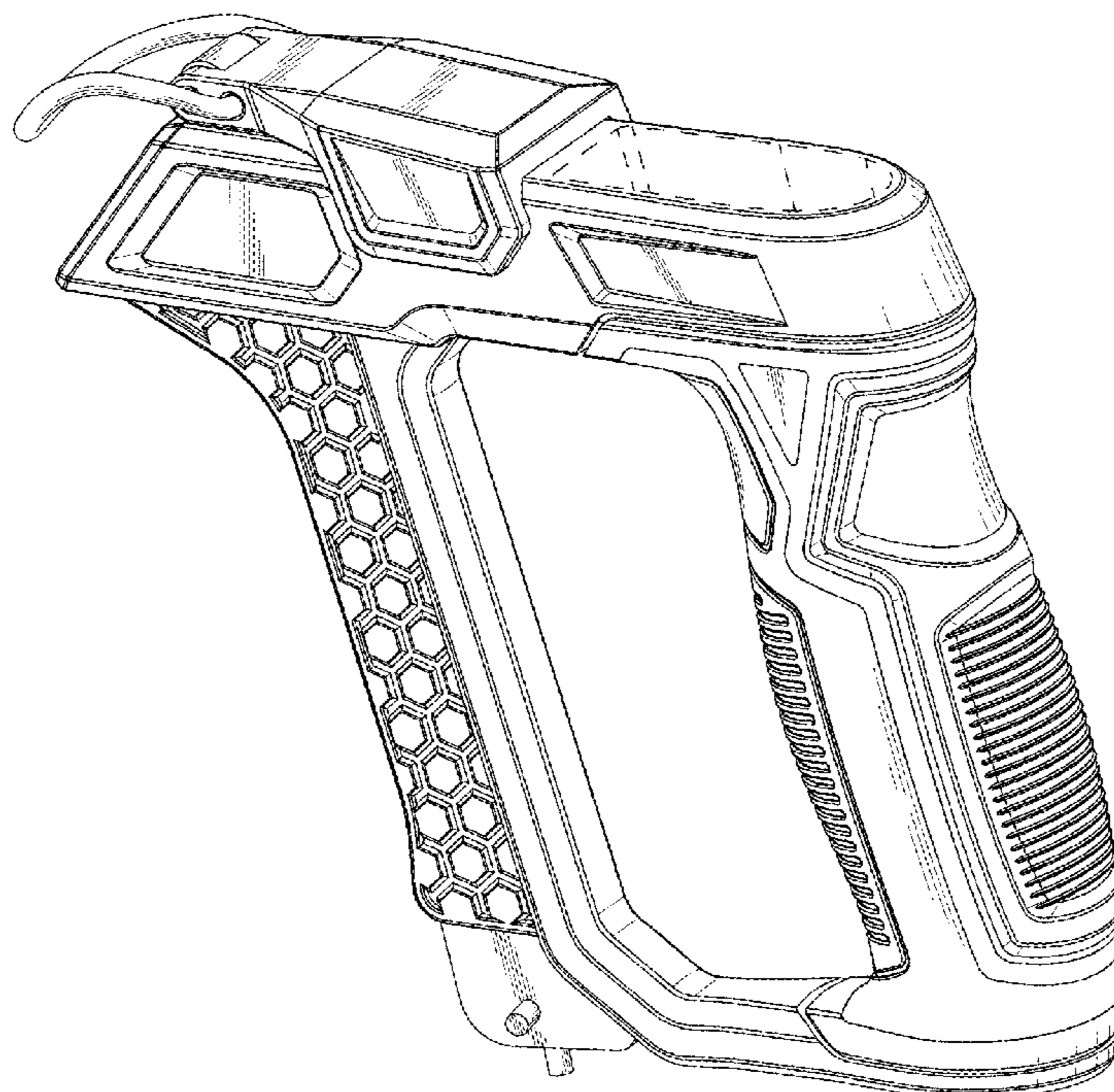
(57) **CLAIM**

The ornamental design for a hacksaw frame, as shown and described.

**DESCRIPTION**

FIG. 1 is a perspective view of a hacksaw frame showing my new design;  
 FIG. 2 is a front view thereof;  
 FIG. 3 is a rear view thereof;  
 FIG. 4 is a left side view thereof;  
 FIG. 5 is a right side view thereof;  
 FIG. 6 is a top plan view thereof;  
 FIG. 7 is a bottom plan view thereof;  
 FIG. 8 is the first perspective view of a hacksaw frame in use state;  
 FIG. 9 is the second perspective view thereof in use state;  
 and,  
 FIG. 10 is the third perspective view thereof in use state.  
 The broken lines in FIGS. 1, 4-7 illustrate portions of the hacksaw frame and the broken lines in FIGS. 8-10 showing a hacksaw frame are for the purposes of illustrating environment, all broken lines form no part of the claimed design.

**1 Claim, 10 Drawing Sheets**



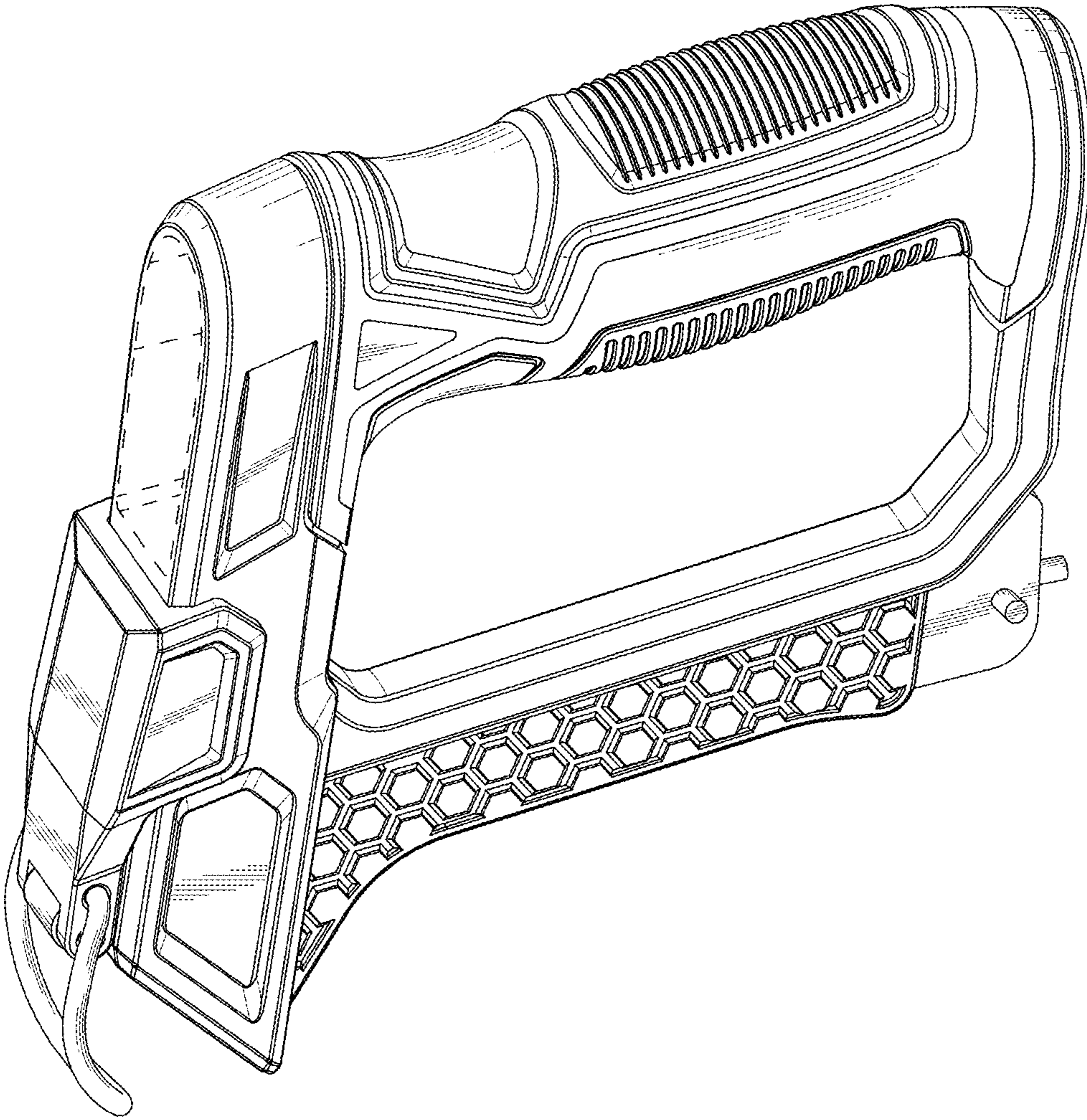


FIG. 1

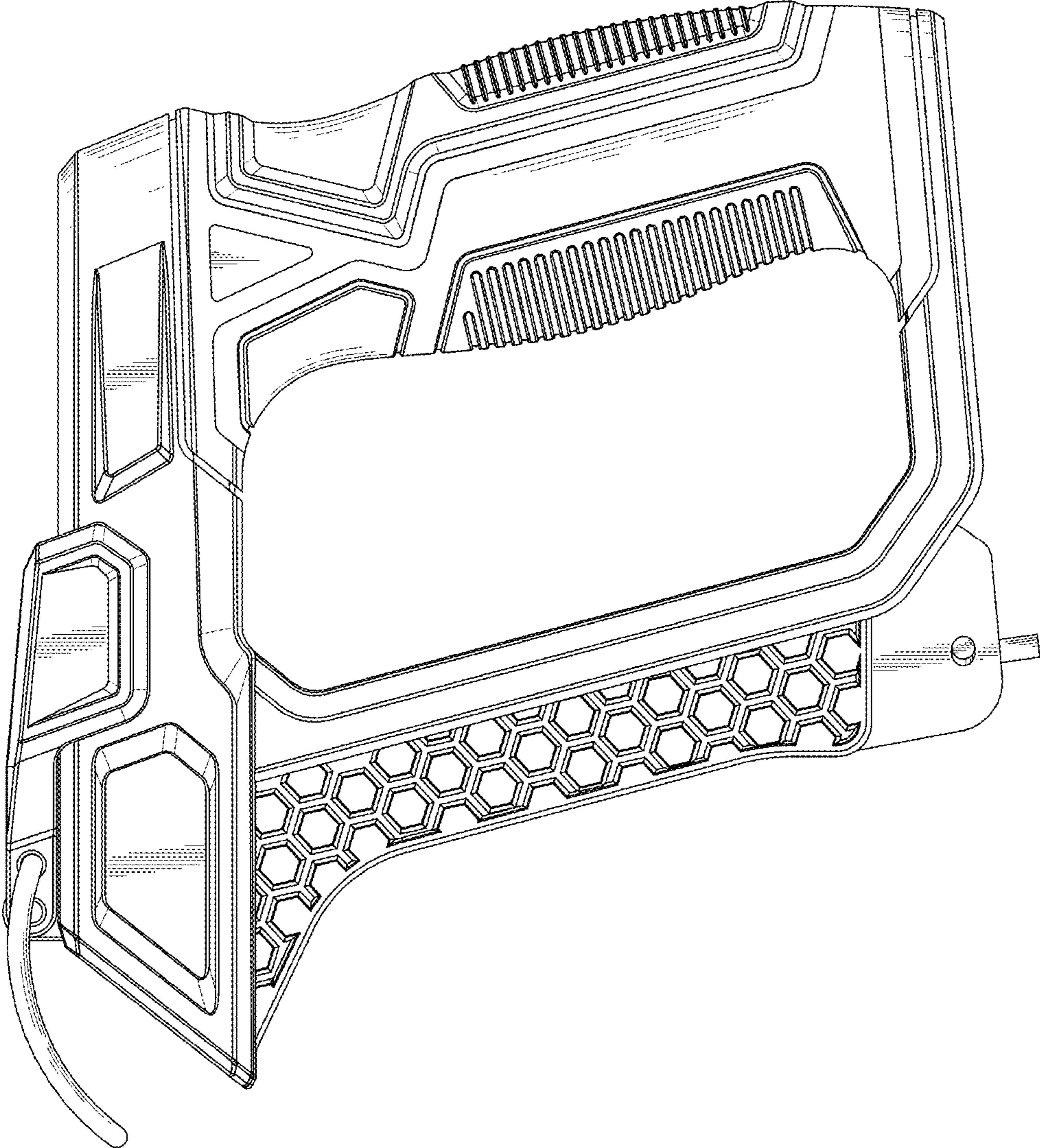


FIG. 2

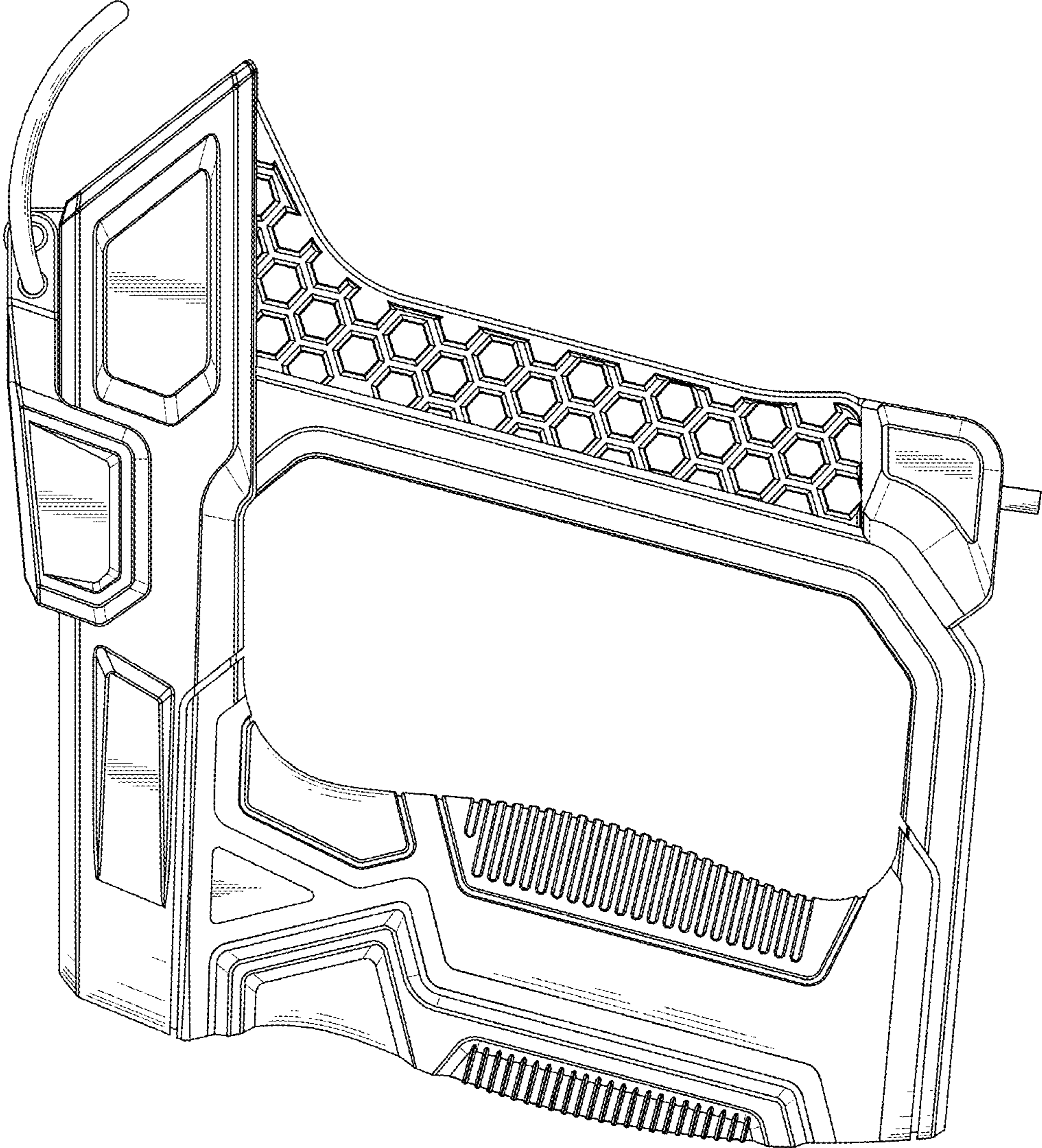


FIG. 3

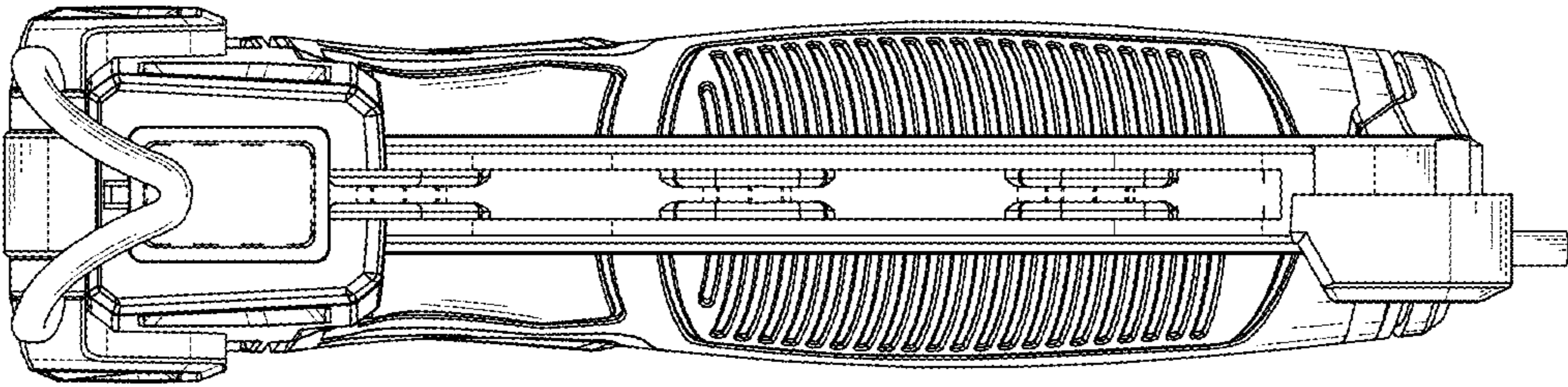


FIG. 4

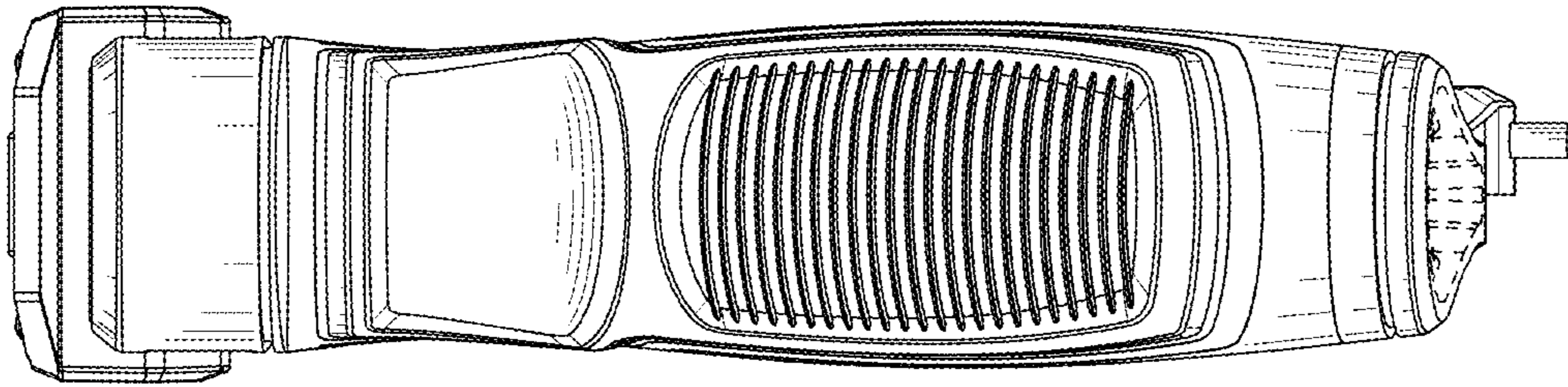


FIG. 5

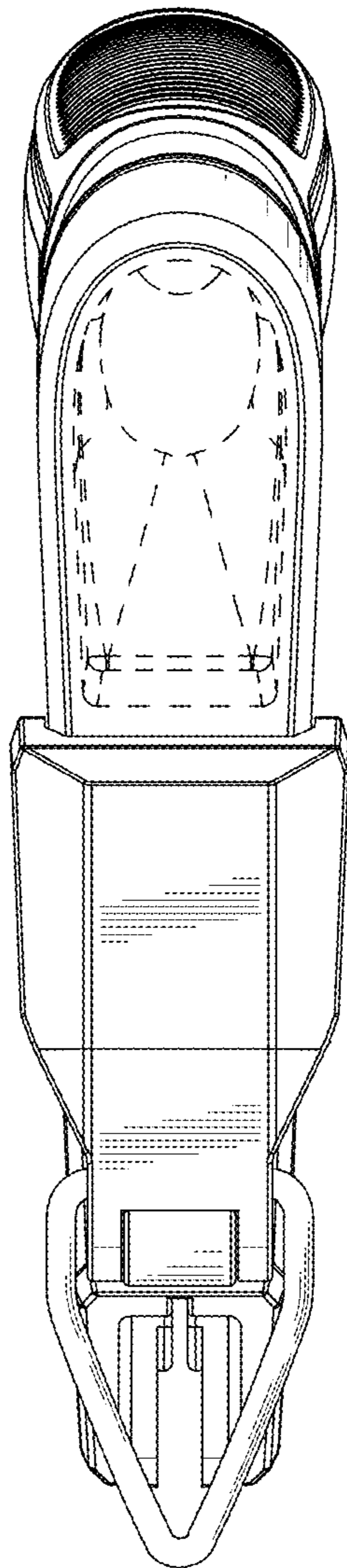


FIG. 6

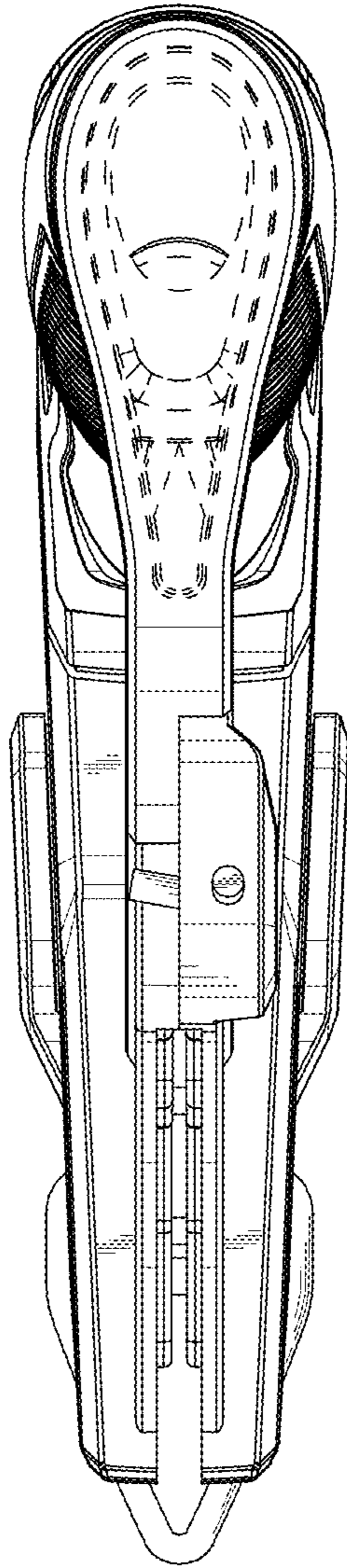


FIG. 7



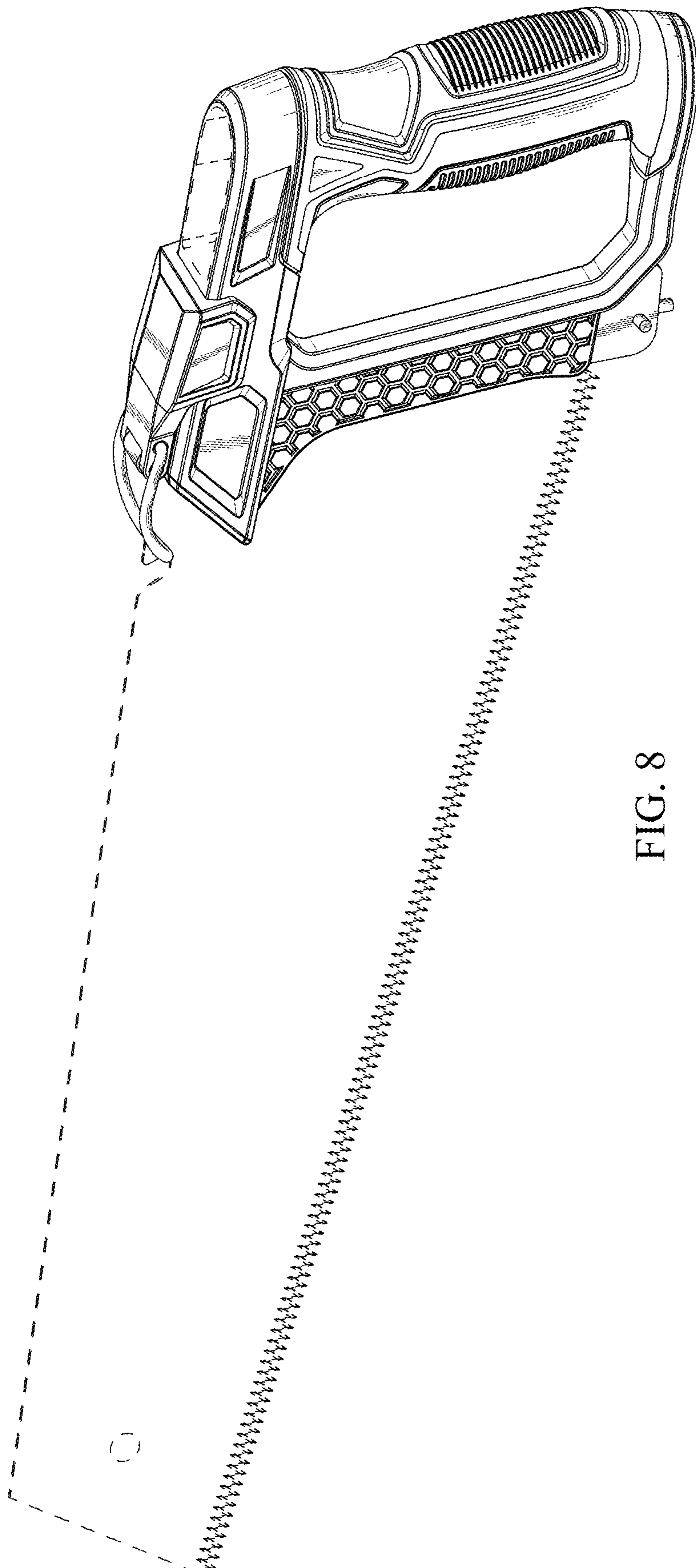


FIG. 8

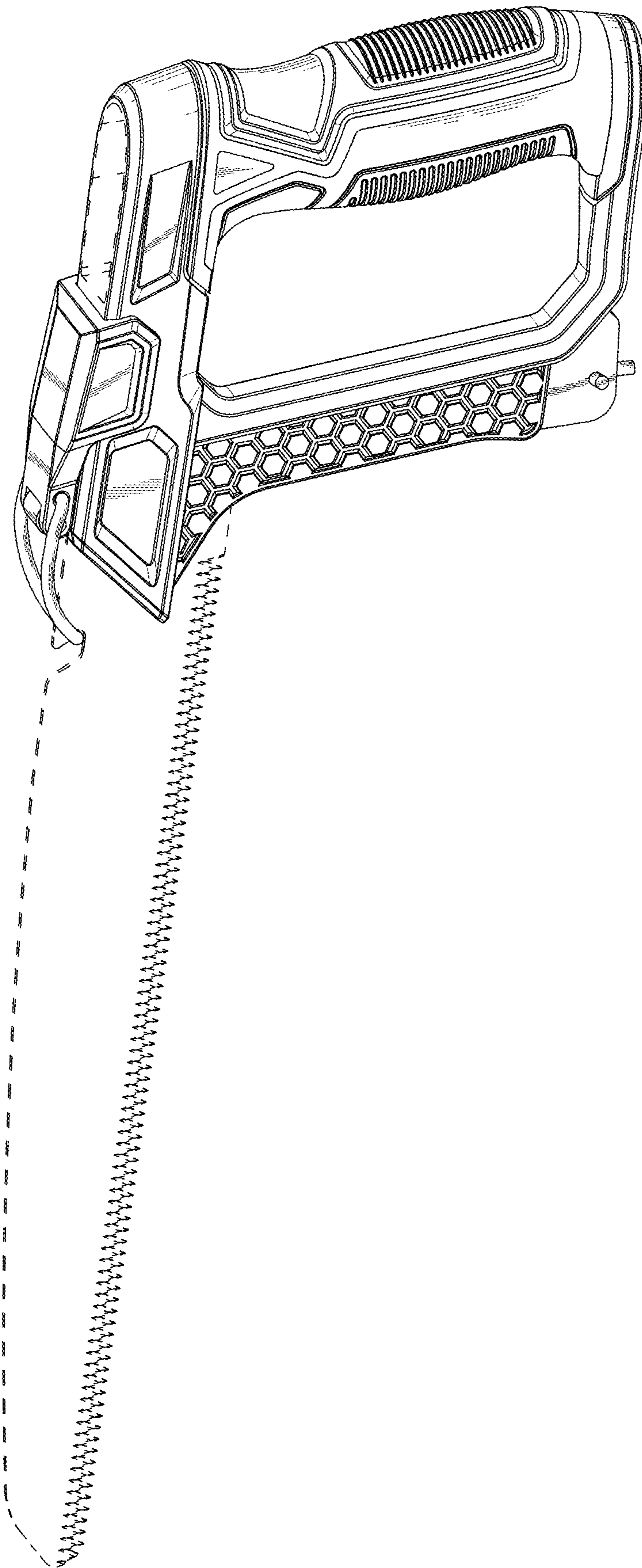


FIG. 9

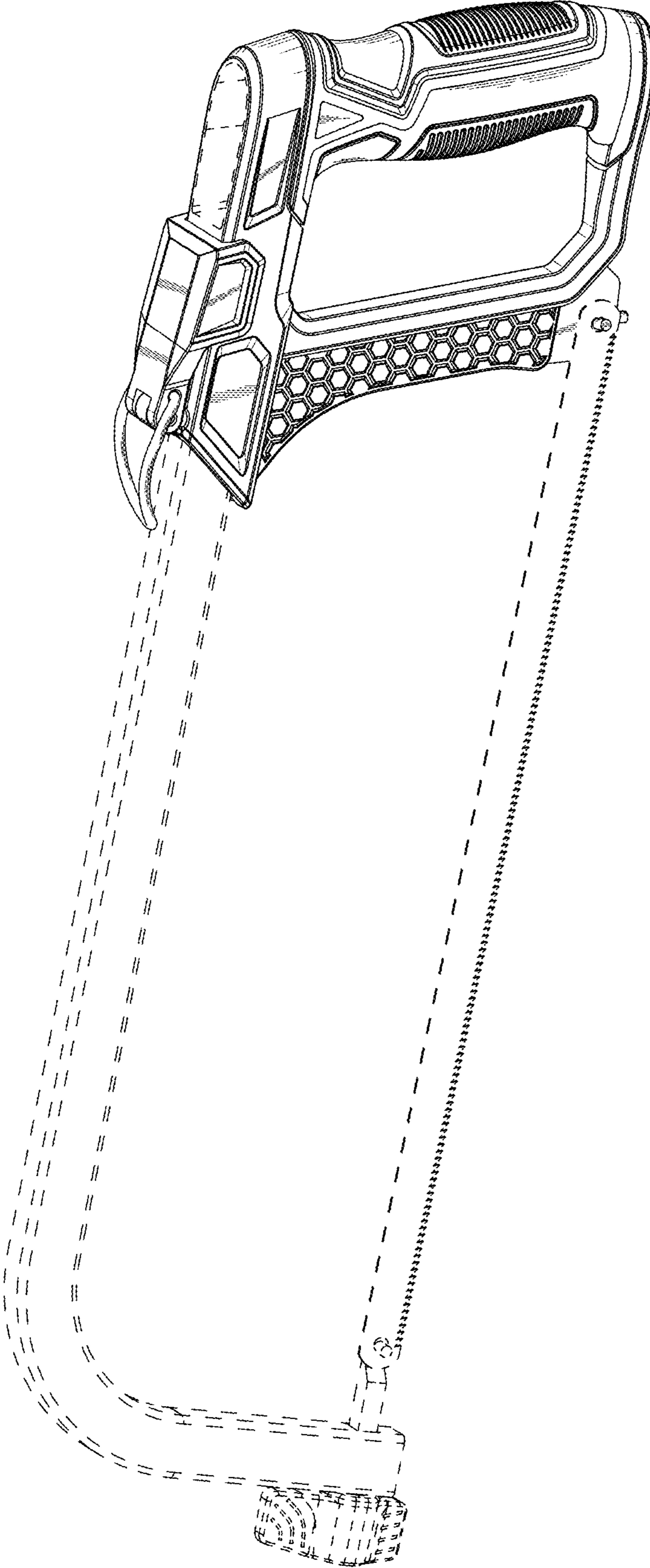


FIG. 10