



US00D954521S

(12) **United States Design Patent**
Jenney

(10) **Patent No.:** **US D954,521 S**

(45) **Date of Patent:** **** Jun. 14, 2022**

(54) **TRI CLOVER CLAMP**

(71) Applicant: **LIFE TECHNOLOGIES CORPORATION**, Carlsbad, CA (US)

(72) Inventor: **Gary Jenney**, Newport, PA (US)

(73) Assignee: **Life Technologies Corporation**, Carlsbad, CA (US)

(**) Term: **15 Years**

(21) Appl. No.: **29/705,104**

(22) Filed: **Sep. 10, 2019**

(51) **LOC (13) Cl.** **08-05**

(52) **U.S. Cl.**
USPC **D8/72**

(58) **Field of Classification Search**
USPC D8/71-74, 394-399, 59; 248/63, 72, 248/74.1, 689, 124.2; 81/487, 385, 386, 81/388-390; 269/3, 4, 6, 143, 165, 240, 269/243, 246-249, 254 R, 147-149; 29/256, 257, 276; 408/103, 104-109
CPC B25B 1/00; B25B 5/00
See application file for complete search history.

(56) **References Cited**

U.S. PATENT DOCUMENTS

D376,974 S	*	12/1996	Chen	24/274 WB
D521,366 S	*	5/2006	Polak	D8/383
D735,025 S	*	7/2015	Mathien	D8/396
D833,265 S	*	11/2018	Meola	D8/396
D836,184 S	*	12/2018	Lippka	D23/262
D836,185 S	*	12/2018	Lippka	D23/262
D850,247 S	*	6/2019	Sillitoe	D8/394
D863,051 S	*	10/2019	Bancroft	D8/394
D863,052 S	*	10/2019	Bancroft	D8/394
D873,651 S	*	1/2020	Bancroft	D8/395
D876,944 S	*	3/2020	Fleck	D8/396
D877,604 S	*	3/2020	Sillitoe	D8/394
D885,173 S	*	5/2020	Magagna	D8/396

D885,174 S	*	5/2020	Magagna	D8/396
D885,877 S	*	6/2020	Magagna	D8/396
D885,971 S	*	6/2020	Swims	D11/200
D889,254 S	*	7/2020	Copete Vilella	D8/394
D889,611 S	*	7/2020	Lippka	D23/262
D892,606 S	*	8/2020	Sullivan	D8/394

(Continued)

Primary Examiner — David G Muller

(74) *Attorney, Agent, or Firm* — Workman Nydegger

(57) **CLAIM**

The ornamental design for a tri clover clamp, as shown and described.

DESCRIPTION

FIG. 1 is a left-side, perspective view of a first embodiment of a tri clover clamp in a closed configuration for our new design.

FIG. 2 is a right-side, perspective view of a first embodiment of a tri clover clamp in a closed configuration for our new design.

FIG. 3 is a bottom view of a first embodiment of a tri clover clamp in a closed configuration for our new design.

FIG. 4 is a top view of a first embodiment of a tri clover clamp in a closed configuration for our new design.

FIG. 5 is a front view of a first embodiment of a tri clover clamp in a closed configuration for our new design.

FIG. 6 is a bottom view of a first embodiment of a tri clover clamp in a closed configuration for our new design.

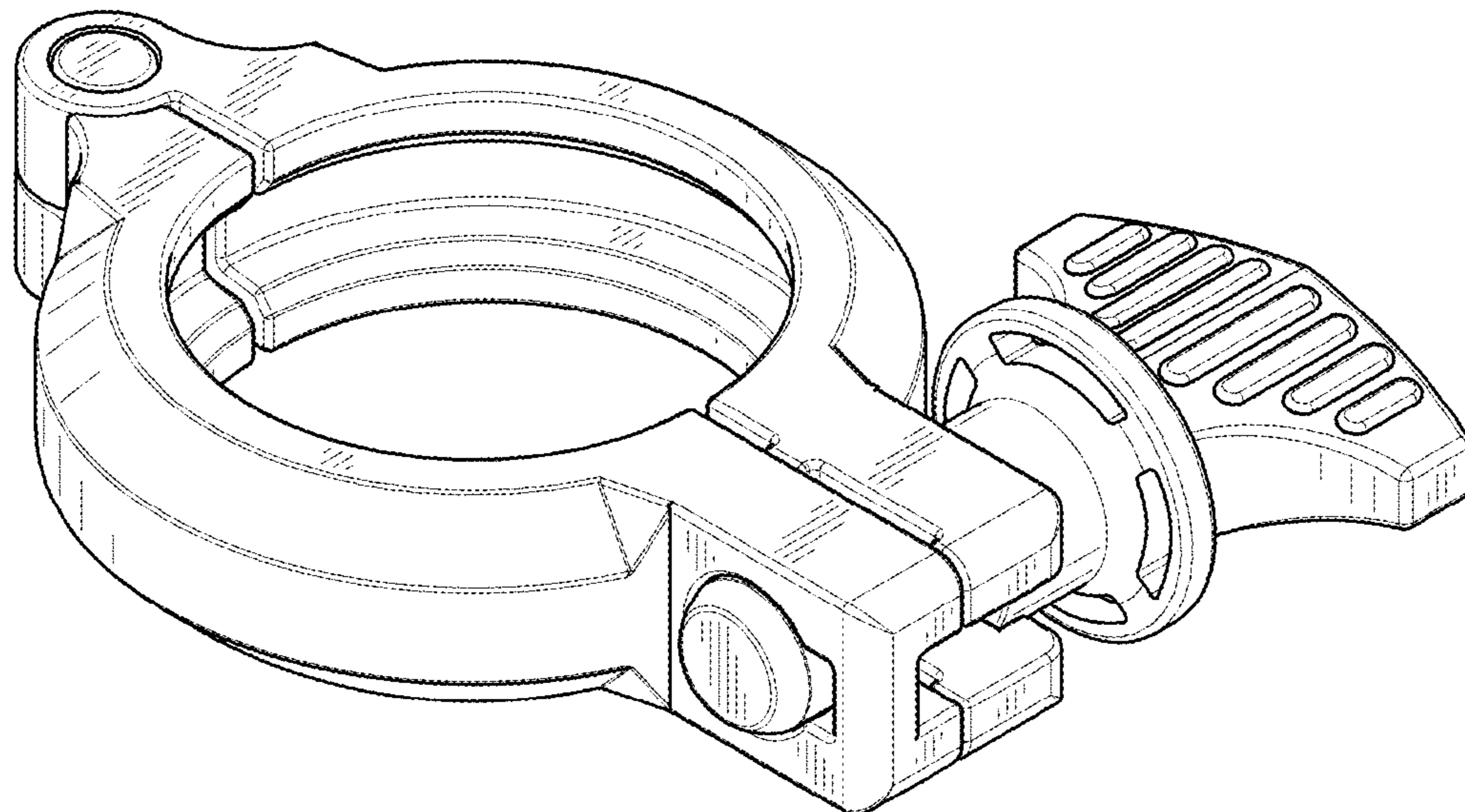
FIG. 7 is a left-side view of a first embodiment of a tri clover clamp in a closed configuration for our new design.

FIG. 8 is a right-side view of a first embodiment of a tri clover clamp in a closed configuration for our new design.

FIG. 9 is a left-side, perspective view of a first embodiment of a tri clover clamp in an open configuration for our new design; and,

FIG. 10 is a right-side, perspective view of a first embodiment of a tri clover clamp in an open configuration for our new design.

1 Claim, 10 Drawing Sheets



(56)

References Cited

U.S. PATENT DOCUMENTS

D897,195 S *	9/2020	Fleck	D8/394
D901,286 S *	11/2020	Ramirez	D8/395
D909,844 S *	2/2021	Van Hulst	D8/72
D911,158 S *	2/2021	Jenkins	D8/394
D915,877 S *	4/2021	Ischebeck	D8/396
D933,467 S *	10/2021	Von Fange	D8/396
D934,515 S *	10/2021	Wendling	D30/199

* cited by examiner

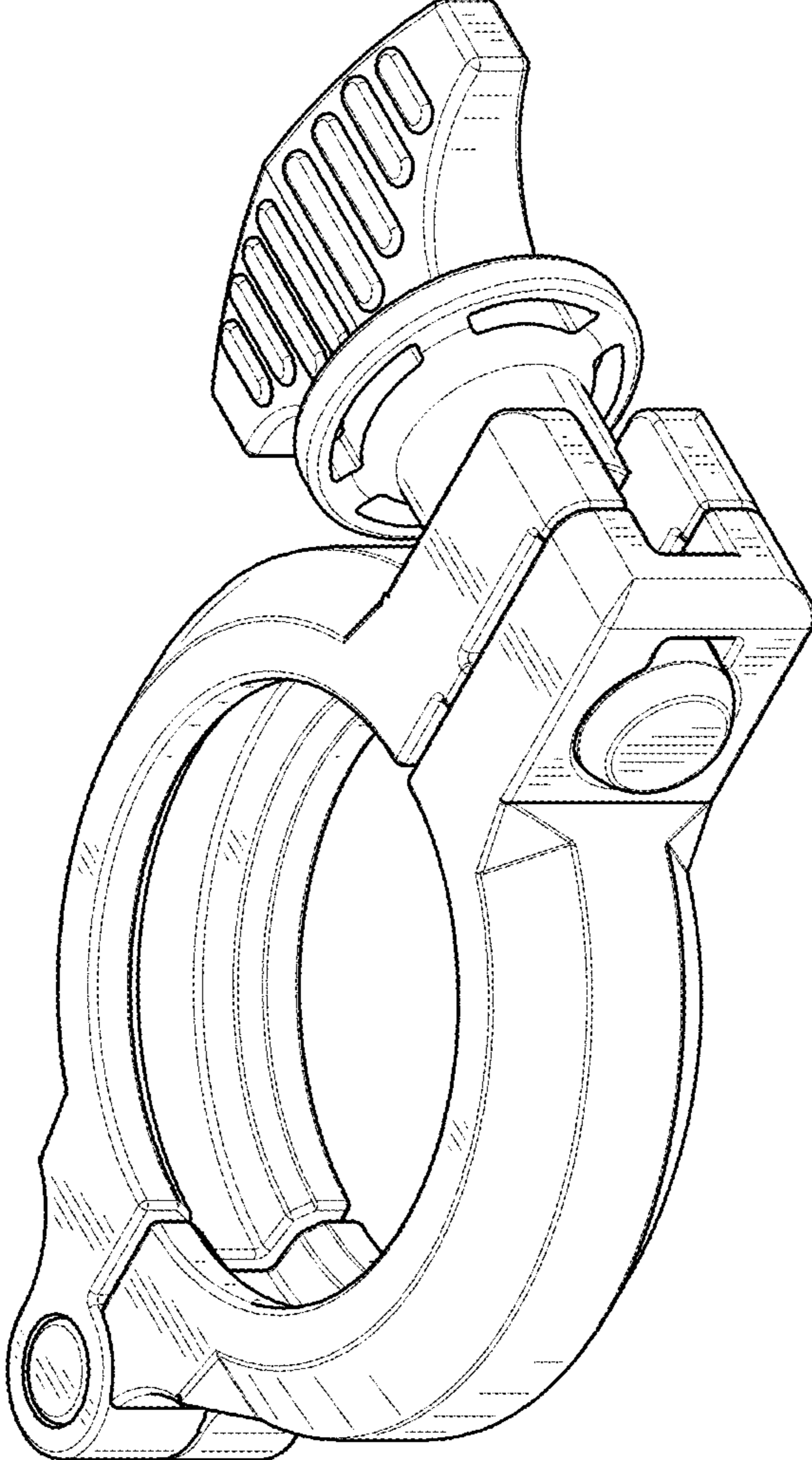


FIG. 1

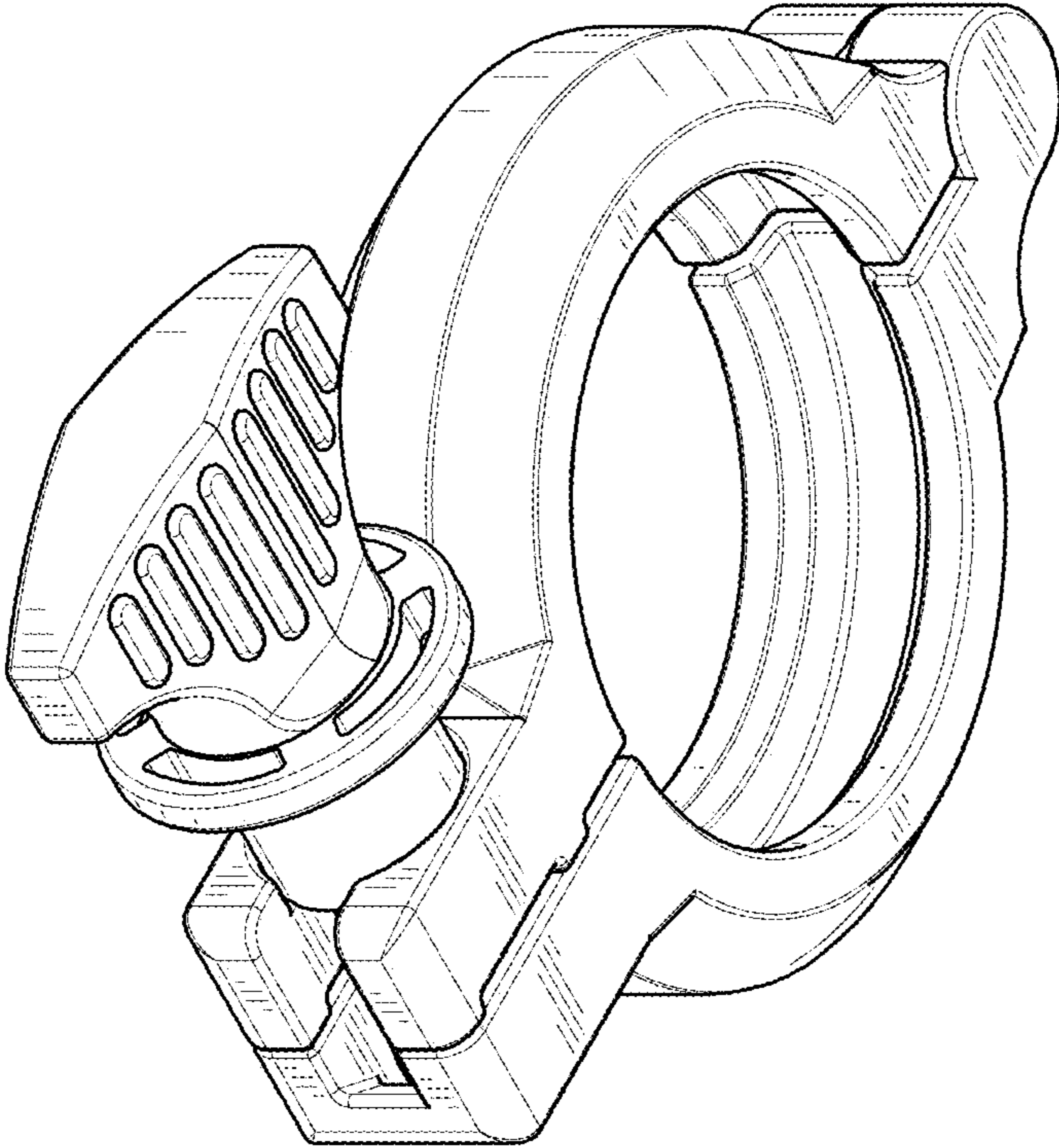


FIG. 2

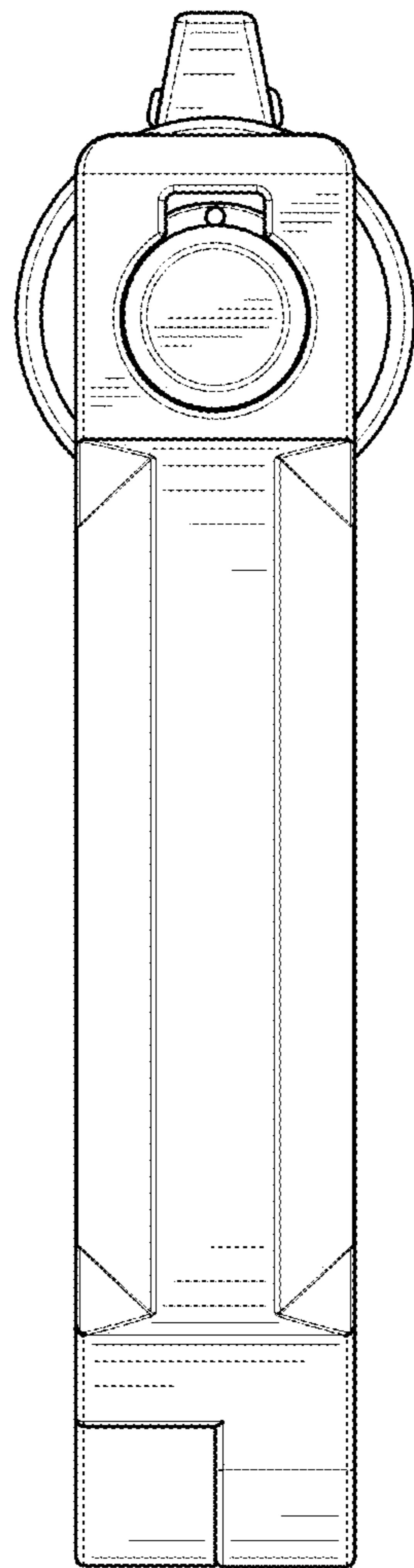


FIG. 3

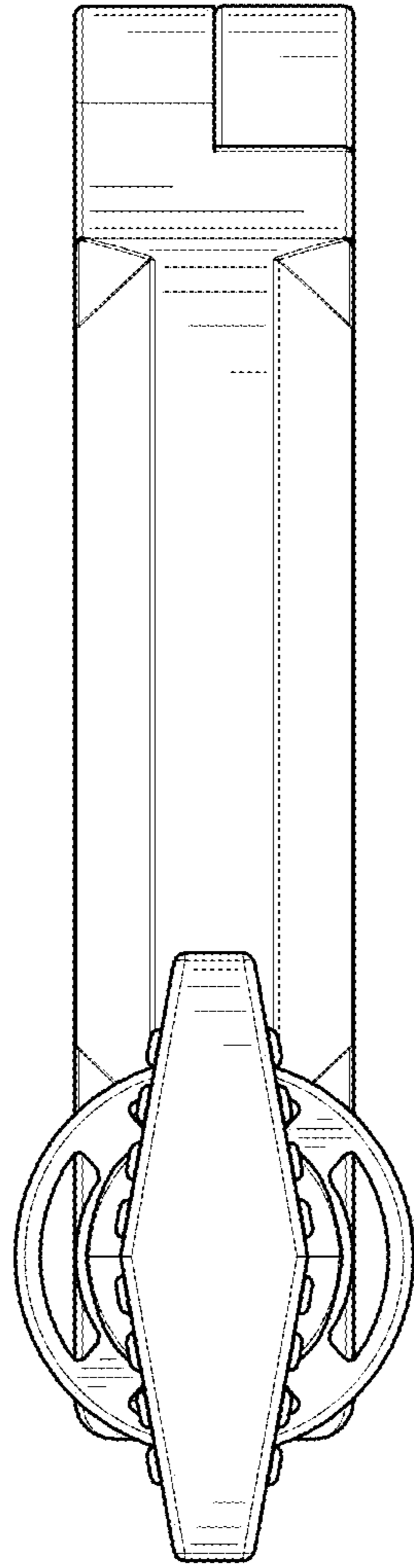


FIG. 4

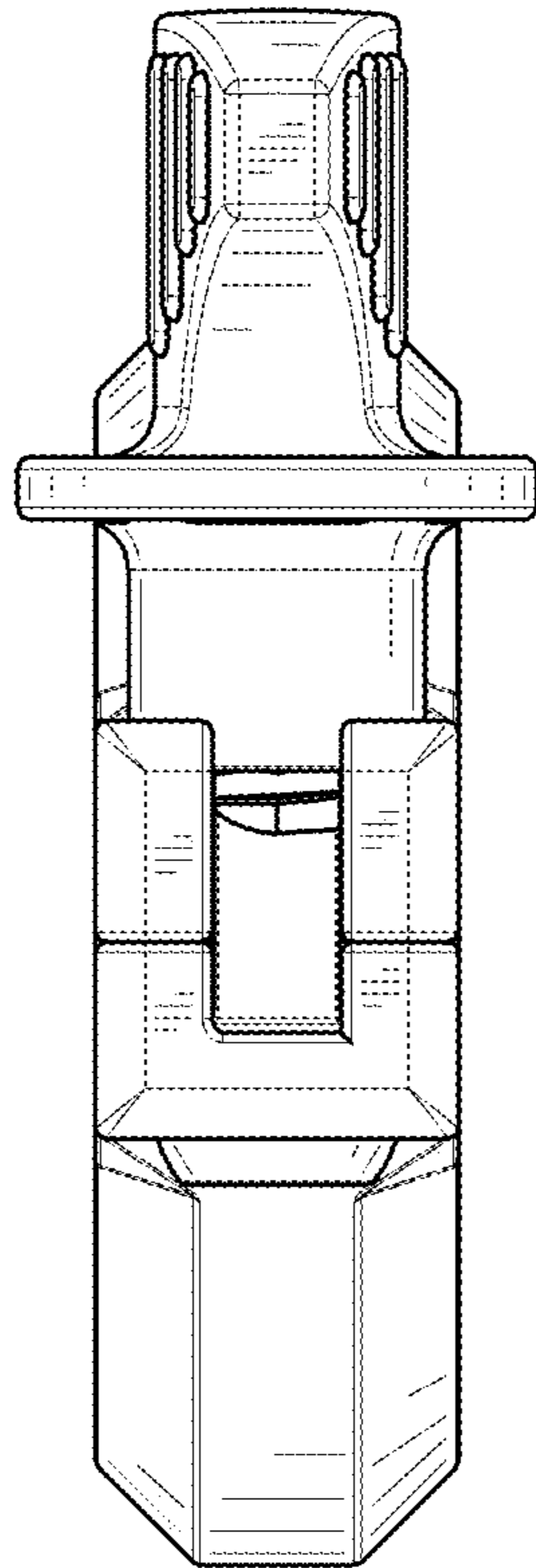


FIG. 5

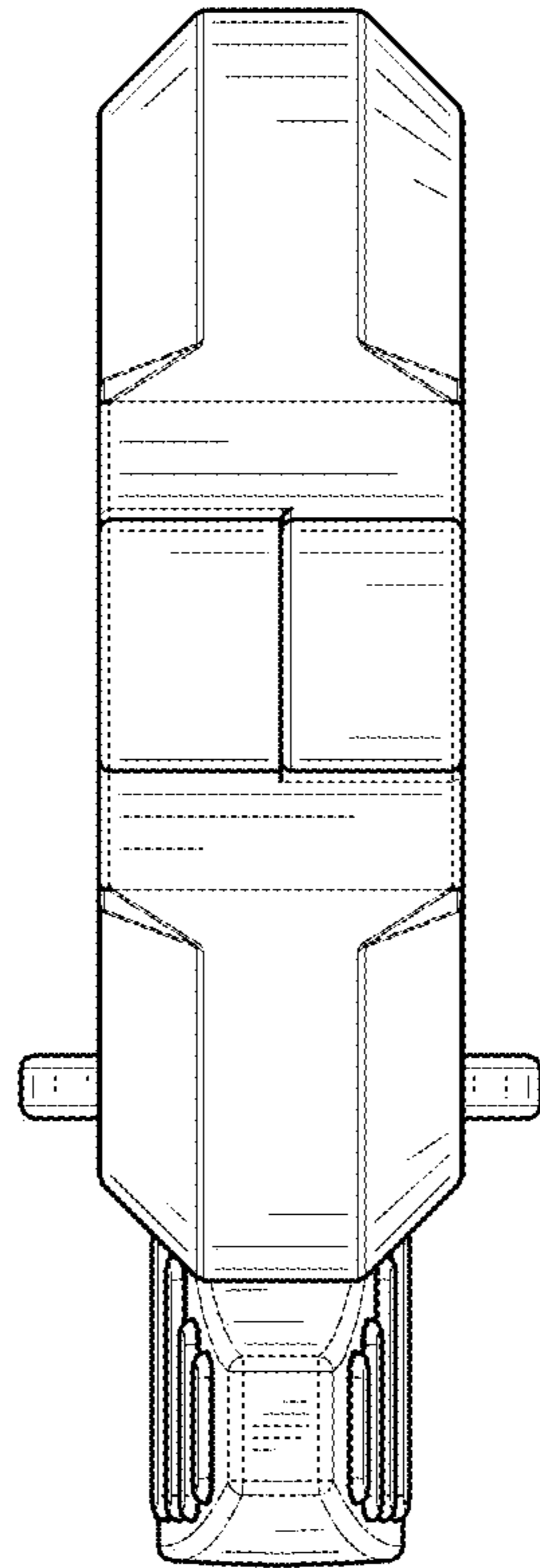


FIG. 6

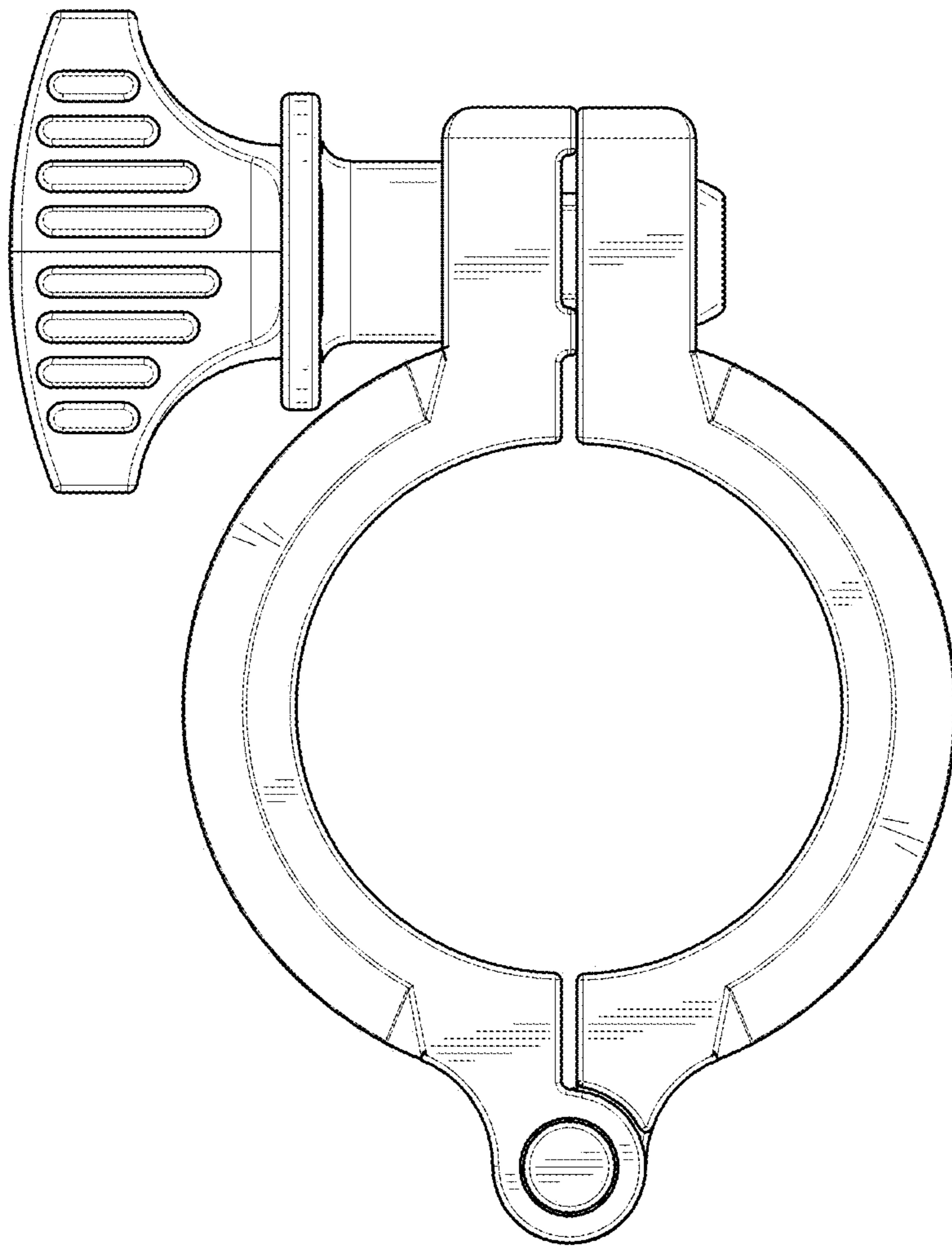


FIG. 7

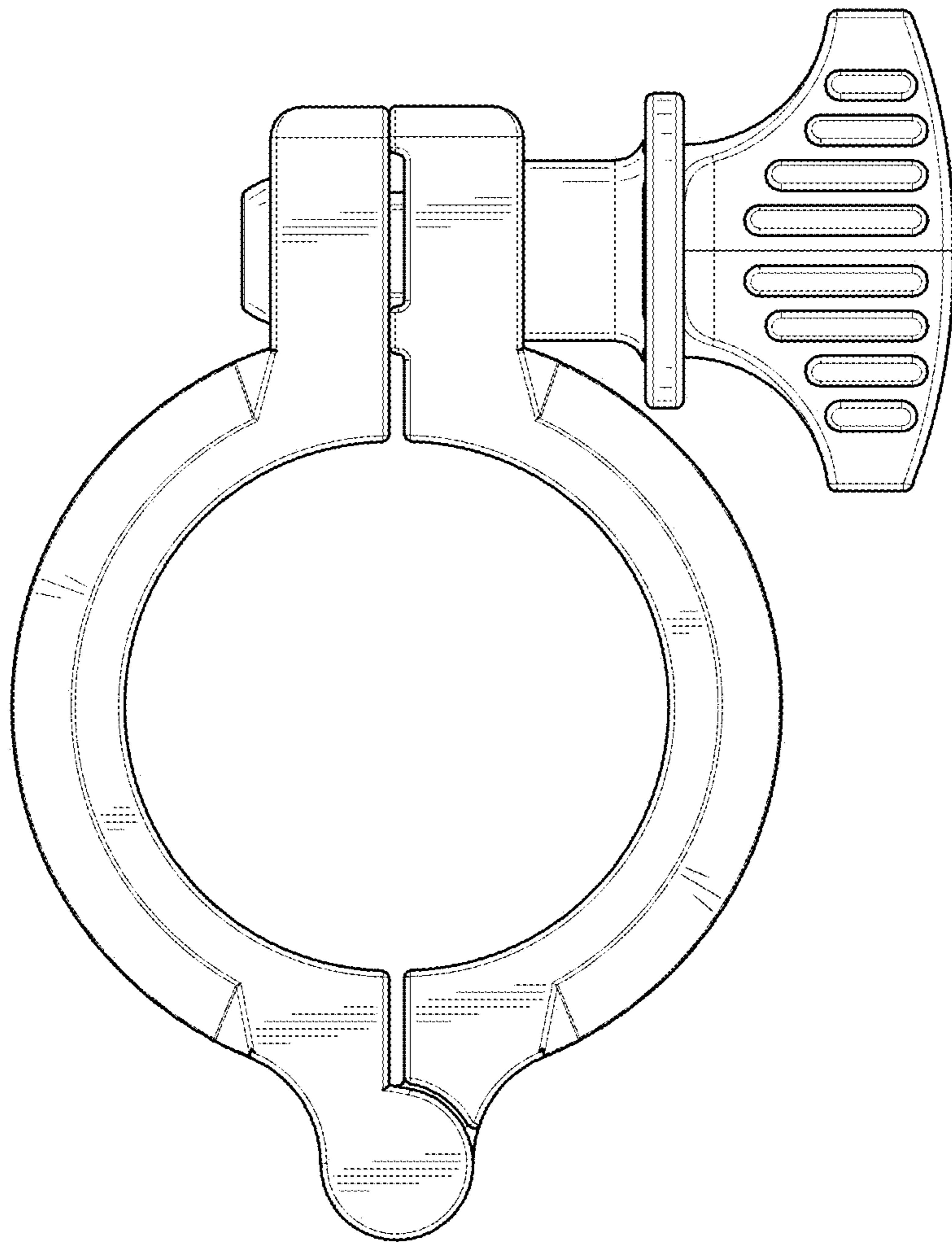


FIG. 8

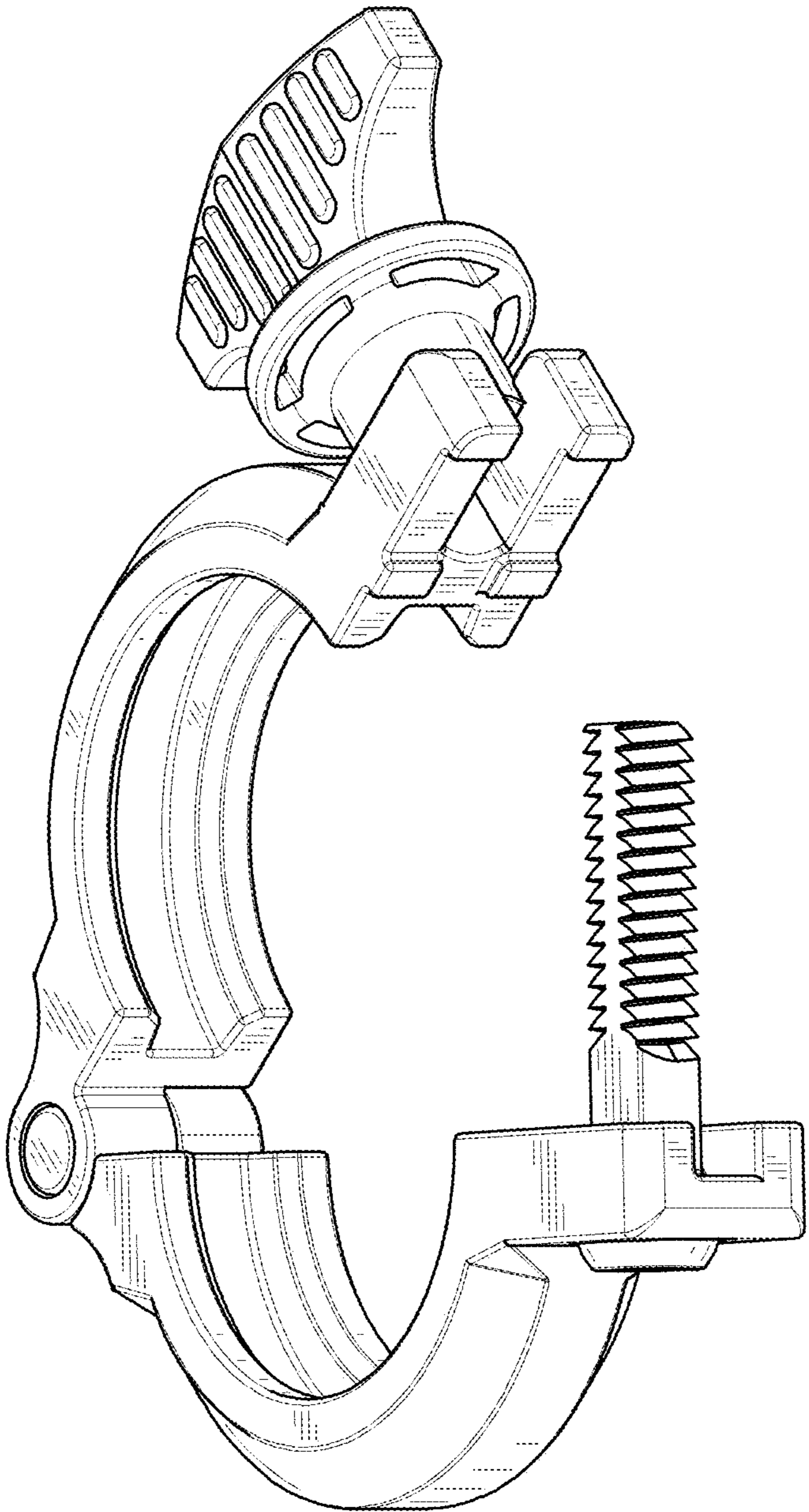


FIG. 9

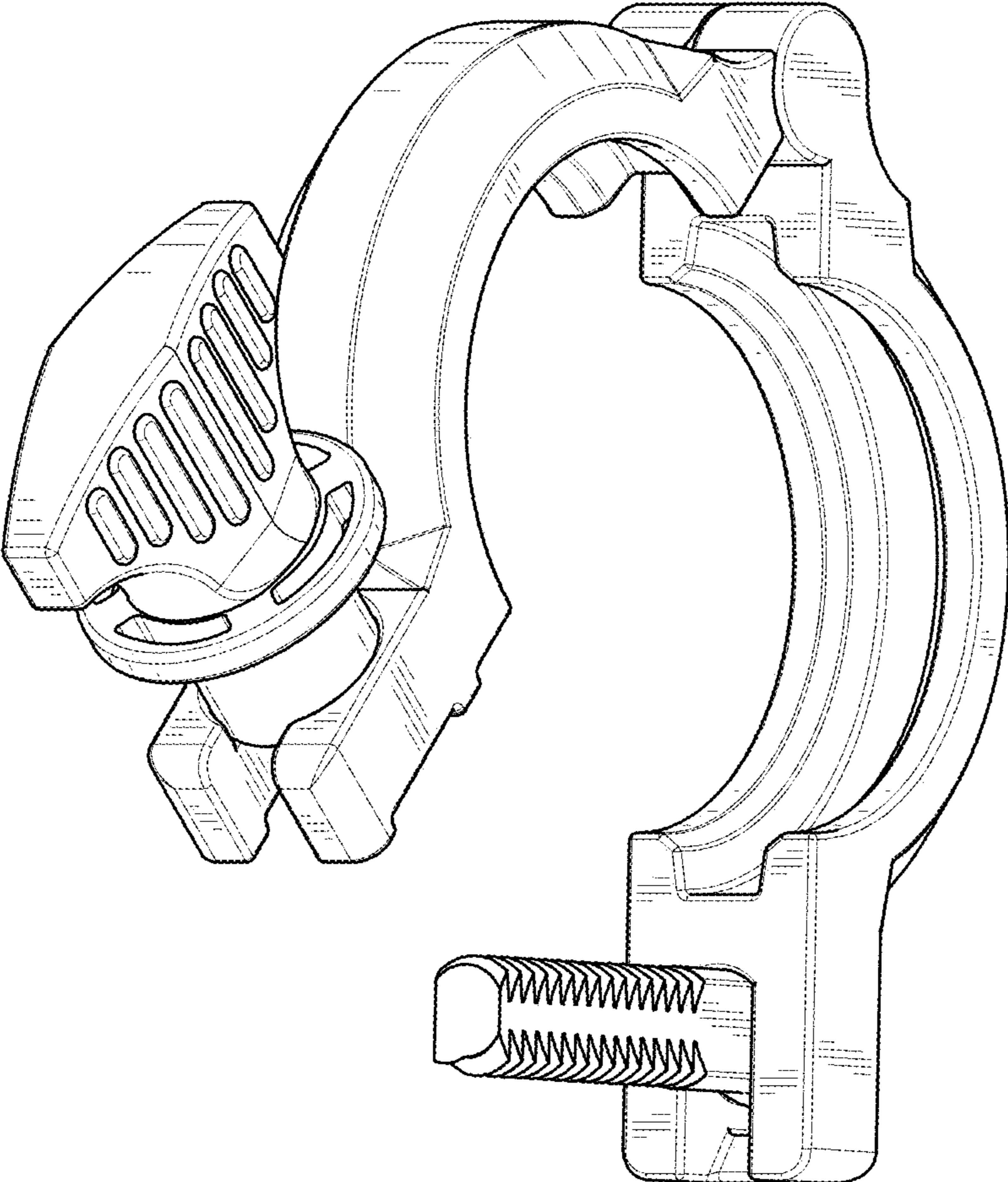


FIG. 10