



US00D954519S

(12) **United States Design Patent**
Owens

(10) **Patent No.:** **US D954,519 S**
(45) **Date of Patent:** **** Jun. 14, 2022**

- (54) **PLASTER TAPING DEVICE**
- (71) Applicant: **PHAANIX PTY LTD**, Newtown (AU)
- (72) Inventor: **Daniel Luke Owens**, Newtown (AU)
- (73) Assignee: **PHAANIX PTY LTD**, Newtown (AU)
- (**) Term: **15 Years**
- (21) Appl. No.: **29/788,556**
- (22) Filed: **Jun. 22, 2021**

10,458,129	B1	10/2019	Wedekind	
10,683,673	B2	6/2020	Chin-Chen	
D934,643	S *	11/2021	Owens E04F 21/16 D8/51
2003/0066611	A1	4/2003	Gunn	
2010/0288443	A1	11/2010	Tucker	
2019/0119931	A1	4/2019	Owens	

FOREIGN PATENT DOCUMENTS

WO 2014202853 A1 12/2014

OTHER PUBLICATIONS

LIARD. Uploaded Jun. 22, 2017, "Banjo Zunder delko France Europe". Retrieved from <https://www.youtube.com/watch?v=SxWSHWH3eTY>.

* cited by examiner

Primary Examiner — Philip S Hyder

(74) *Attorney, Agent, or Firm* — Kinney & Lange, P.A.

Related U.S. Application Data

- (63) Continuation of application No. 29/718,308, filed on Dec. 23, 2019, now Pat. No. Des. 934,643, which is a continuation of application No. 15/792,726, filed on Oct. 24, 2017, now Pat. No. 10,533,326.
- (51) **LOC (13) Cl.** **08-05**
- (52) **U.S. Cl.**
USPC **D8/45**; D8/51
- (58) **Field of Classification Search**
USPC D8/14, 51; D19/67, 68, 69
CPC E04F 13/068; E04F 21/08; E04F 21/0084;
E04F 13/042; E04F 21/16; E04F 21/1657
See application file for complete search history.

(57) **CLAIM**

The ornamental design for a plaster taping device, as shown and described.

DESCRIPTION

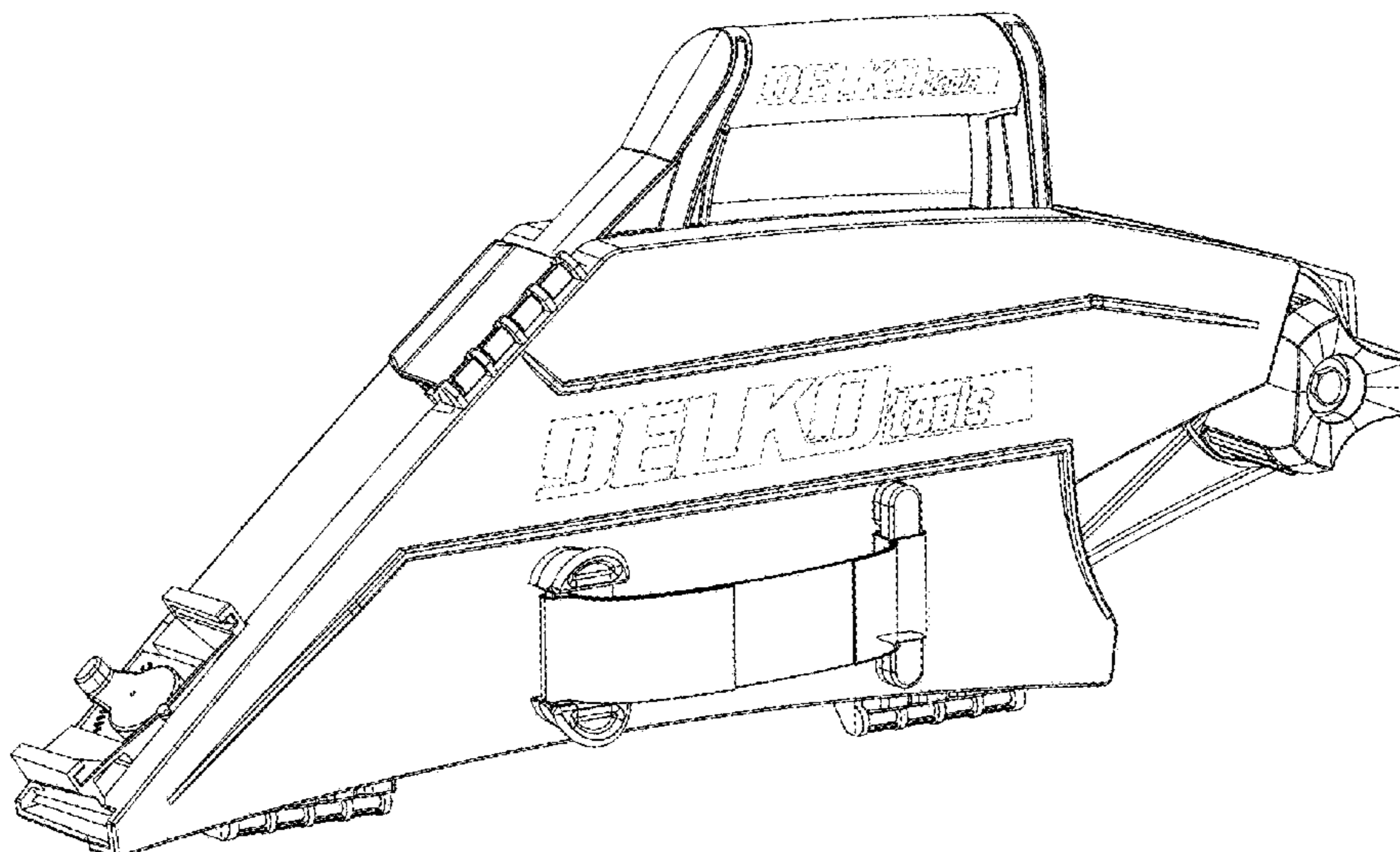
FIG. 1 is a right front perspective view of a plaster taping device;
 FIG. 2 is a left front perspective view of the plaster taping device;
 FIG. 3 is a right side view of the plaster taping device;
 FIG. 4 is a left side view of the plaster taping device;
 FIG. 5 is a front view of the plaster taping device;
 FIG. 6 is a rear view of the plaster taping device;
 FIG. 7 is a top view of the plaster taping device; and,
 FIG. 8 is a bottom view of the plaster taping device.
 The broken lines depict portions of the plaster taping device in which the design is embodied that are not considered part of the claimed design.

(56) **References Cited**

U.S. PATENT DOCUMENTS

4,196,028	A	4/1980	Mills
4,197,624	A	4/1980	Lass
4,406,730	A	9/1983	Altmix
4,451,223	A	5/1984	Mower et al.
5,114,527	A	5/1992	Stern
D331,354	S	12/1992	Stern
5,814,184	A	9/1998	Denkins
6,367,534	B1	4/2002	McGlenn
6,540,002	B1	4/2003	Edwards et al.
6,668,897	B2	12/2003	Gunn
8,955,573	B2	2/2015	Owens
10,308,468	B1	6/2019	Wedekind

1 Claim, 8 Drawing Sheets



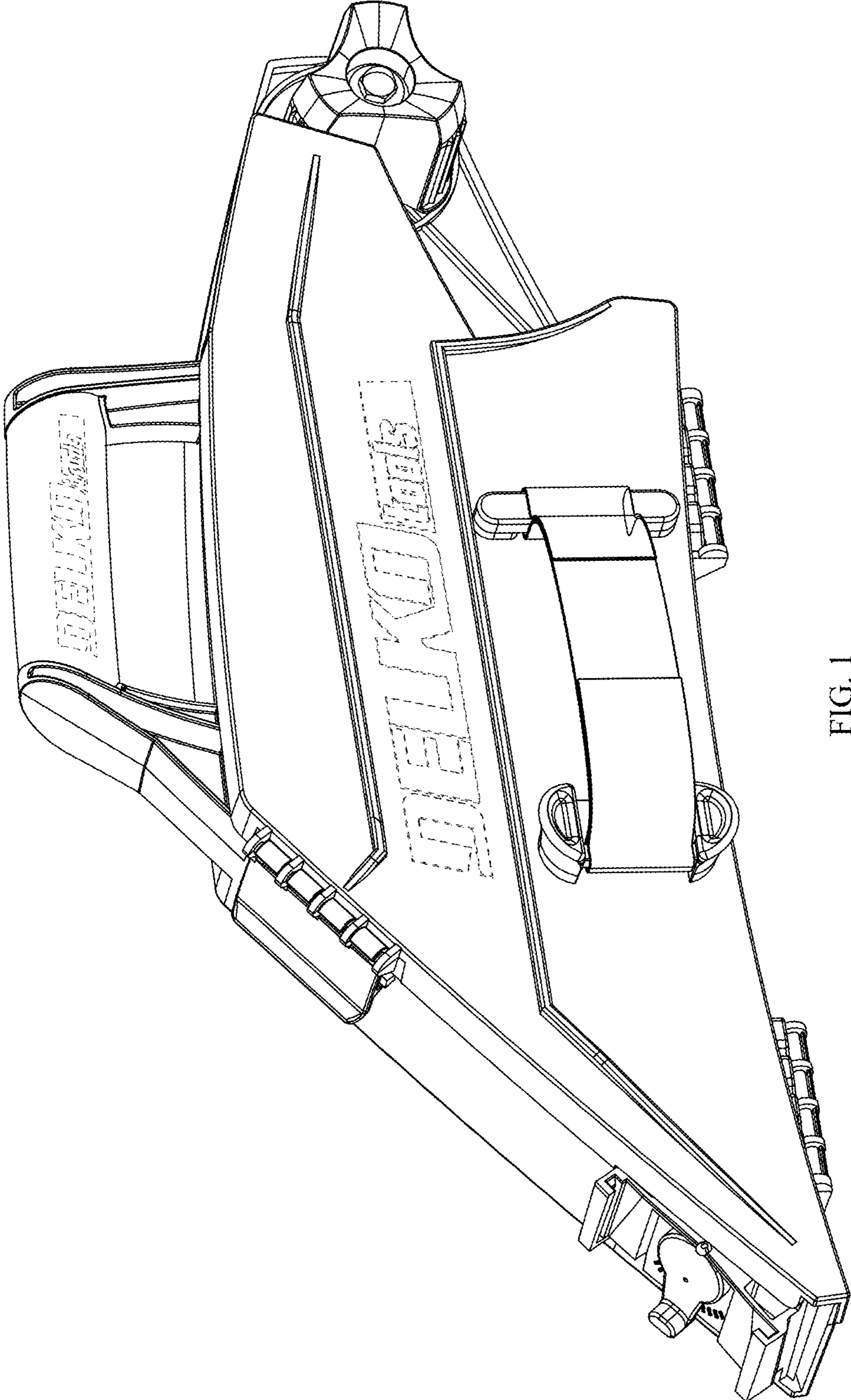


FIG. 1

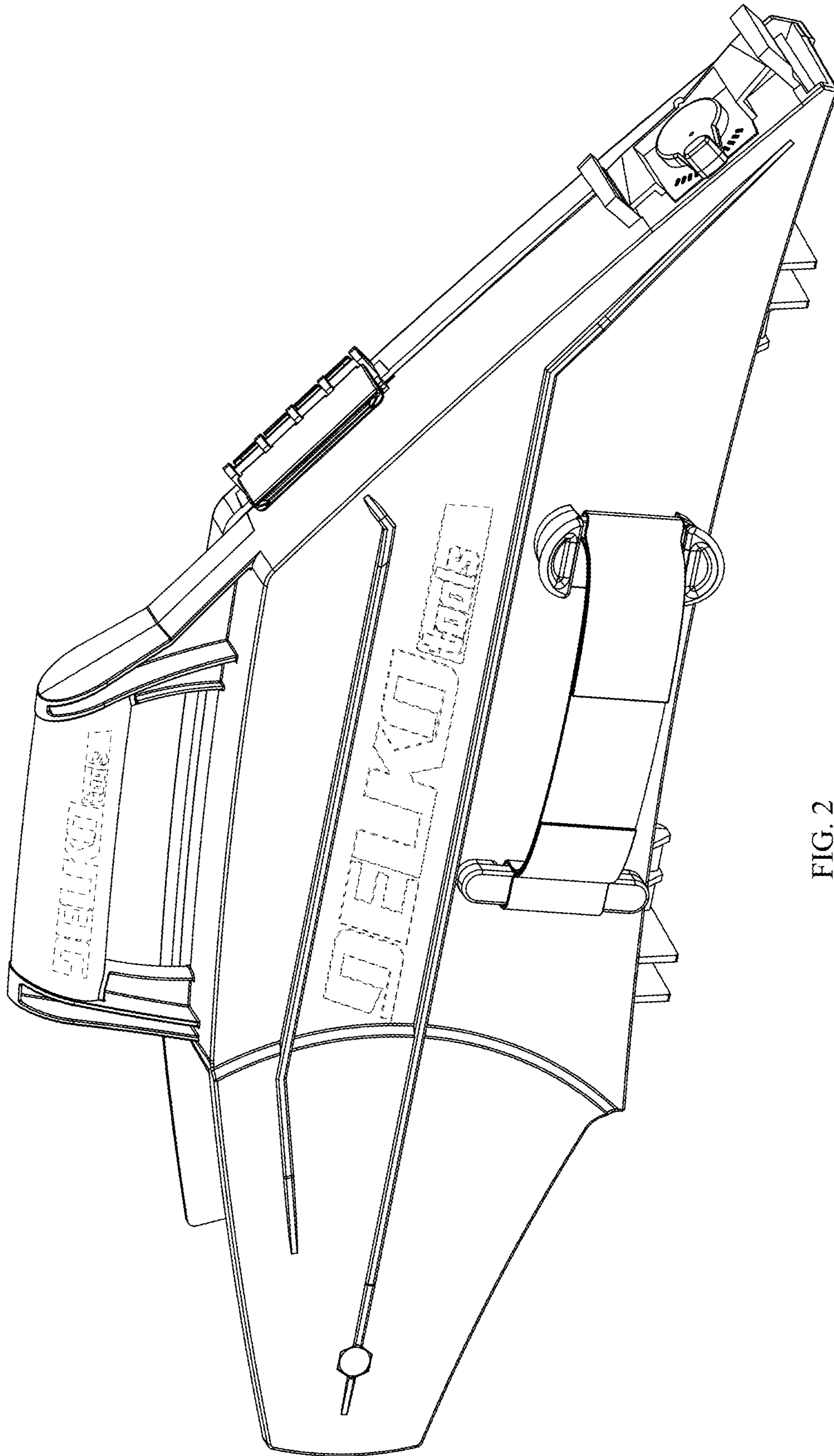


FIG. 2

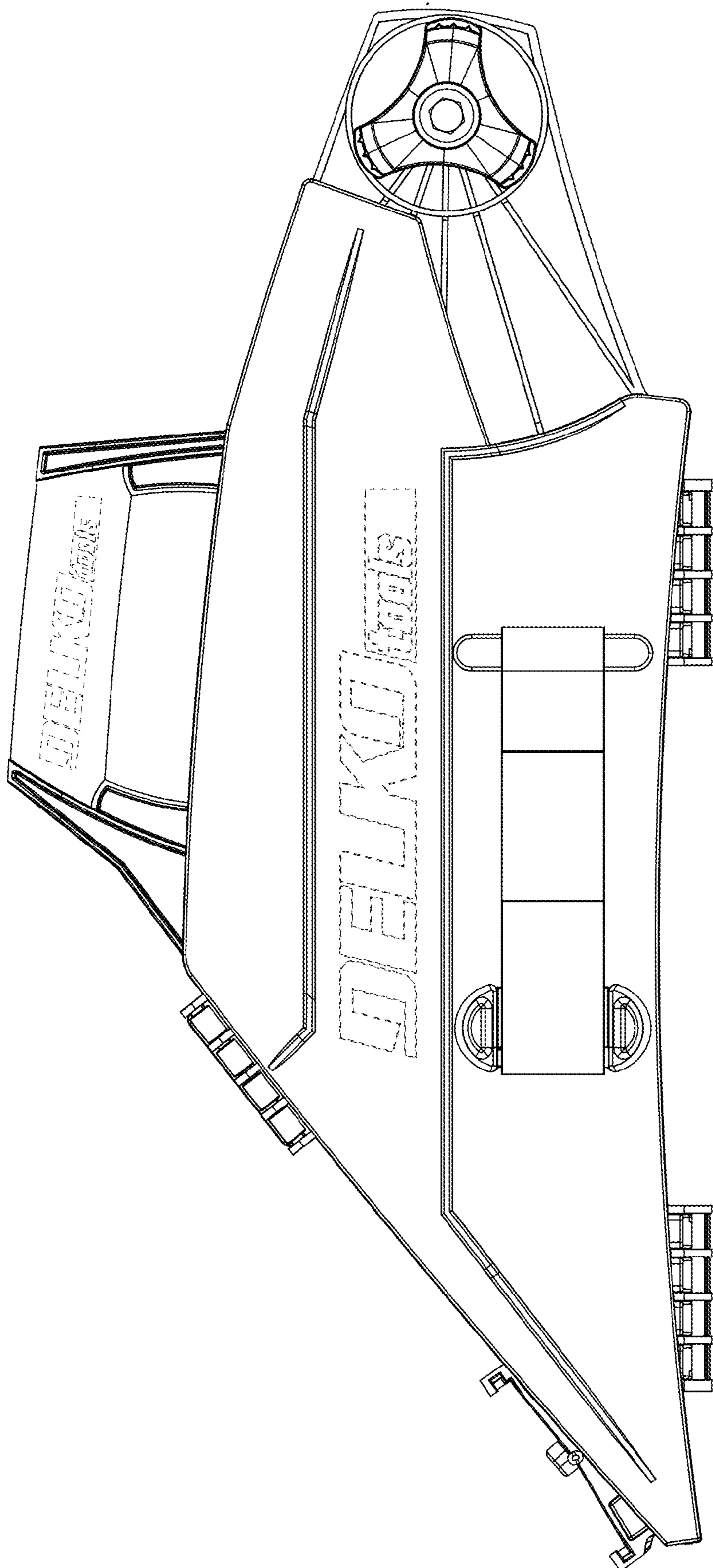


FIG. 3

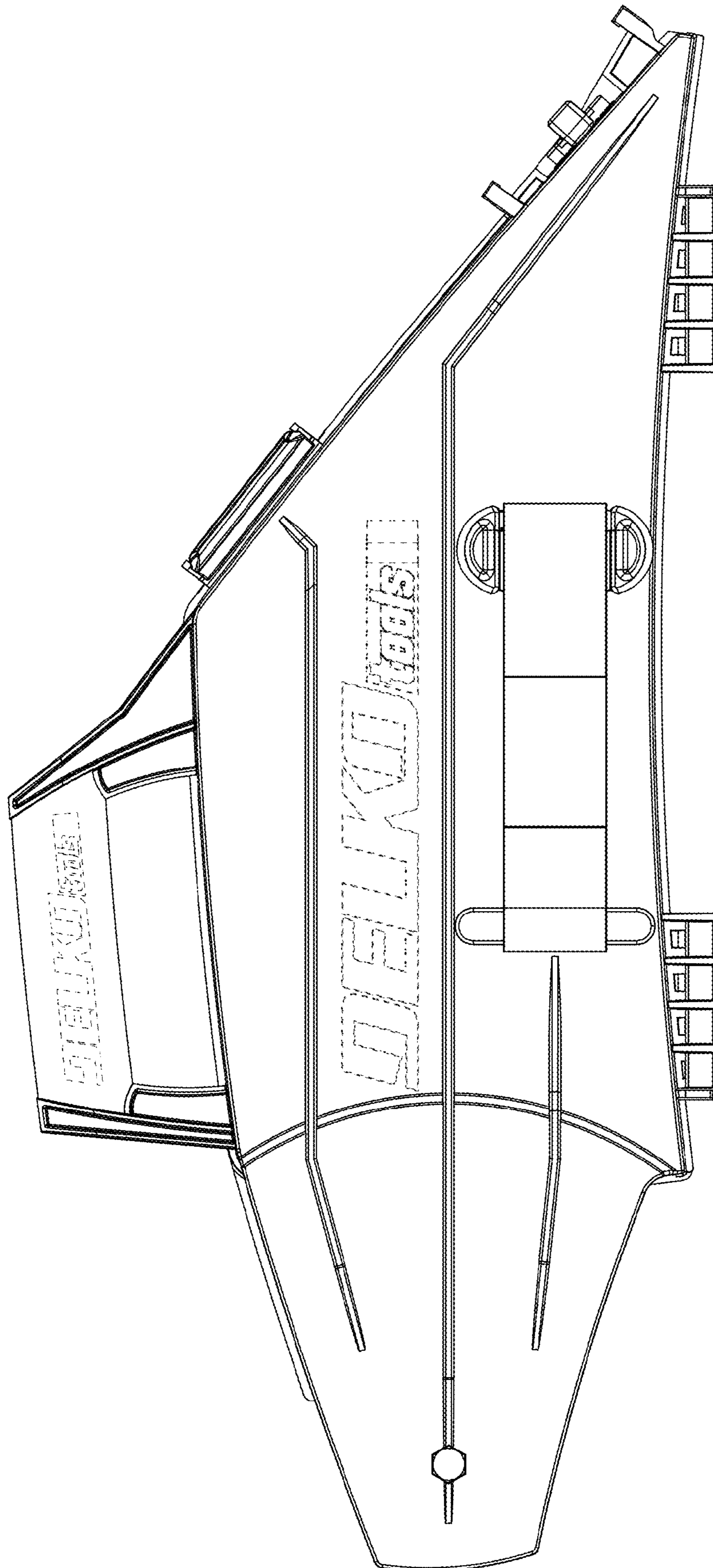


FIG. 4

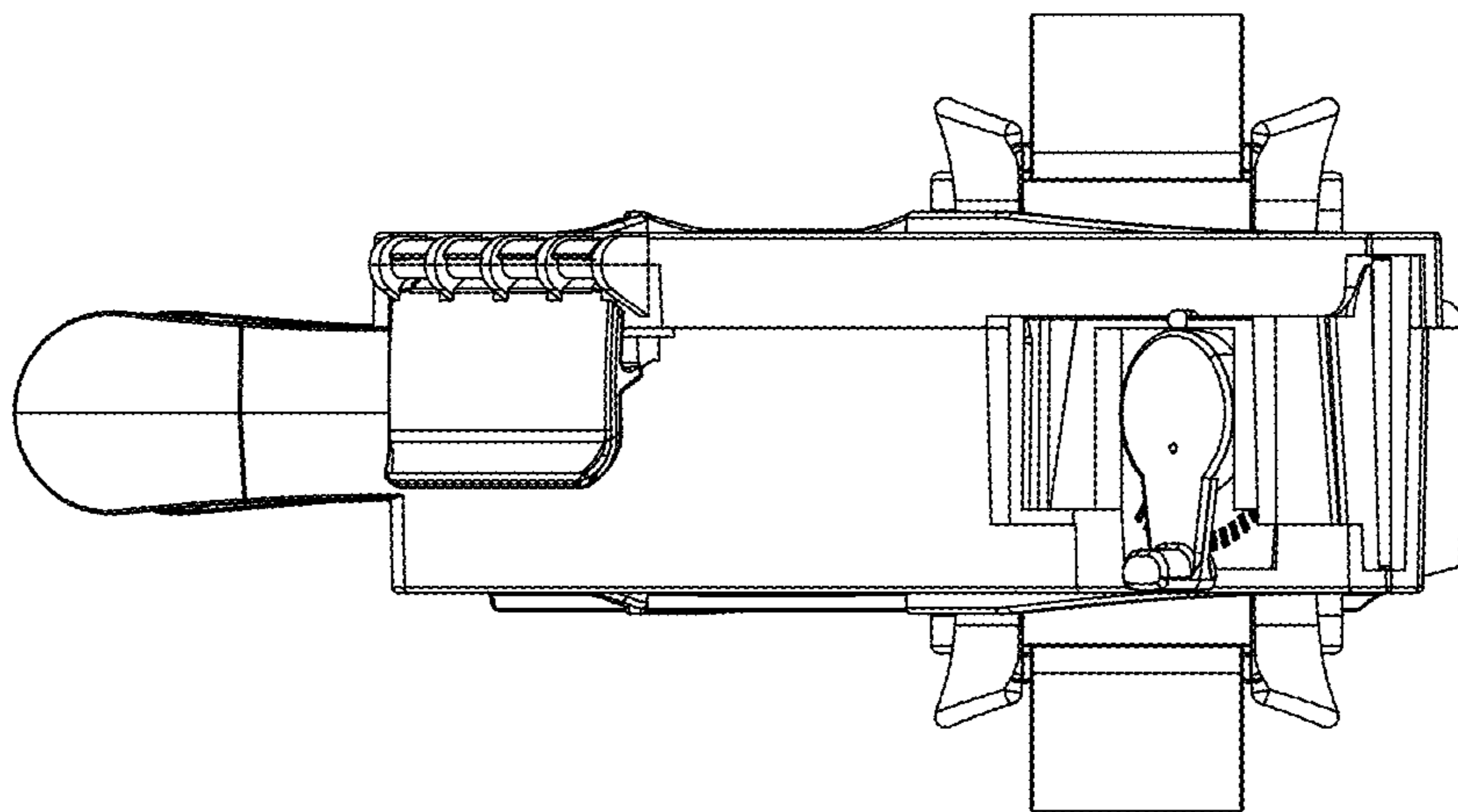


FIG. 5

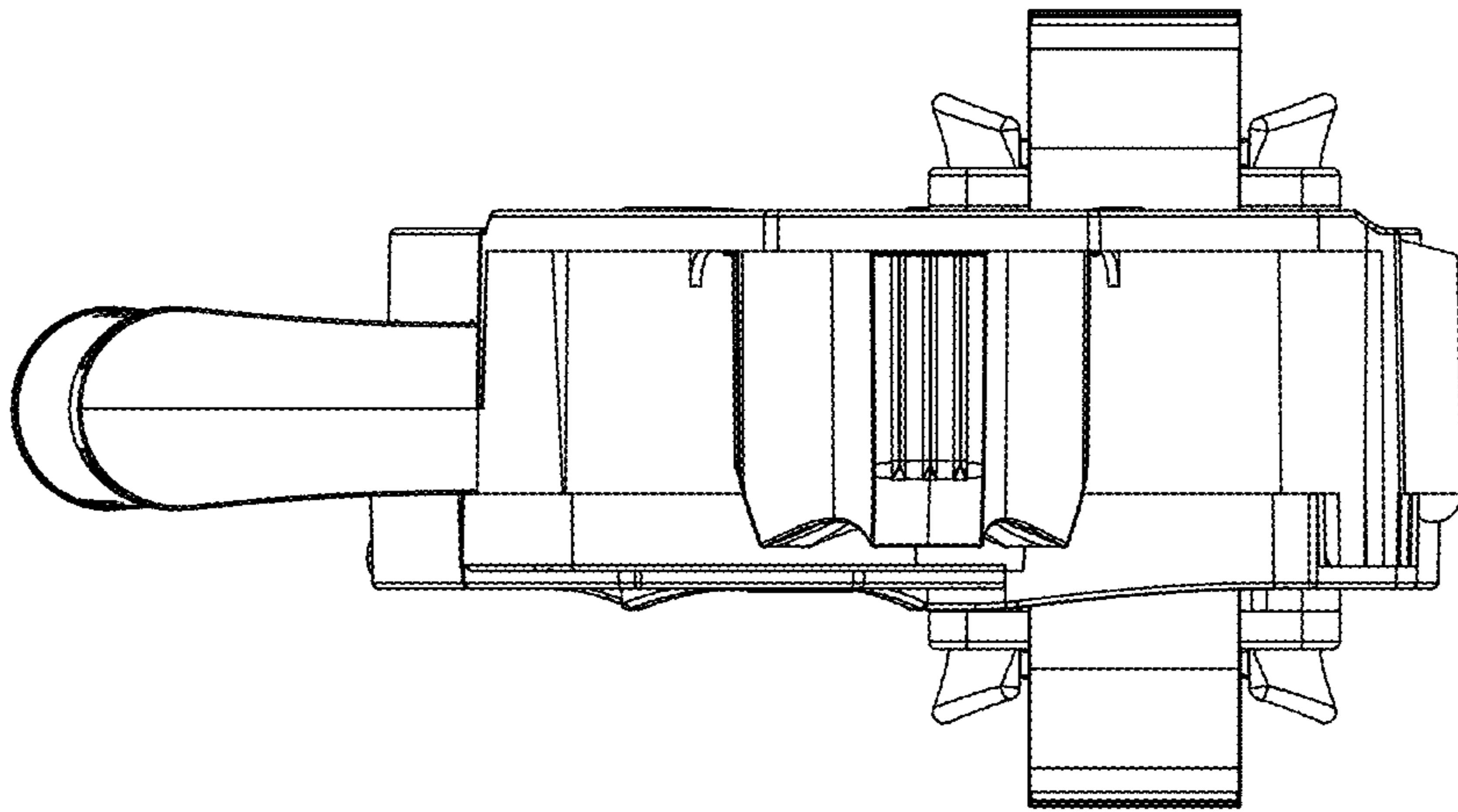


FIG. 6

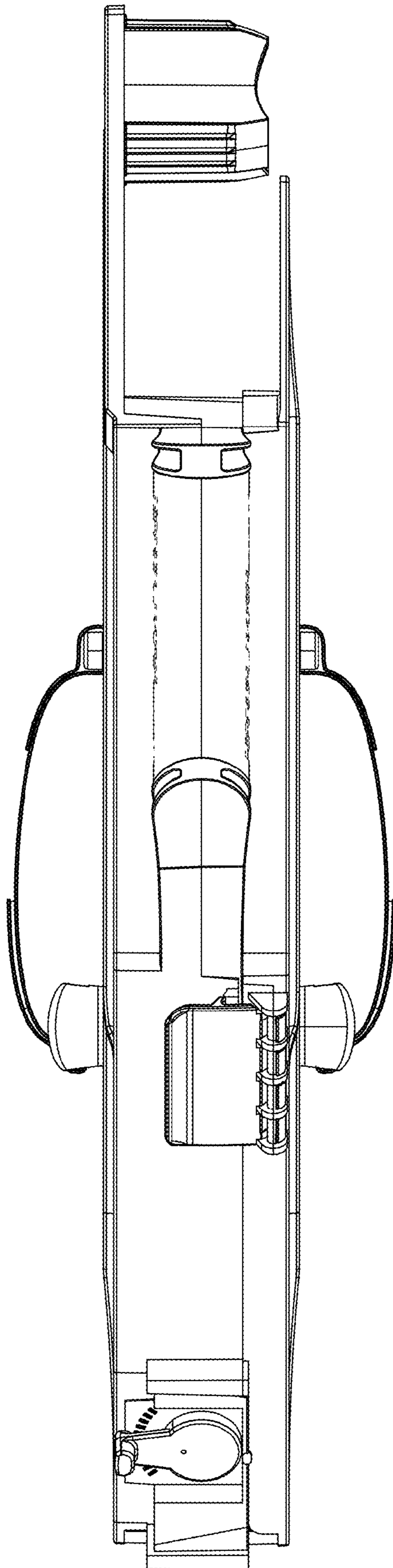


FIG. 7

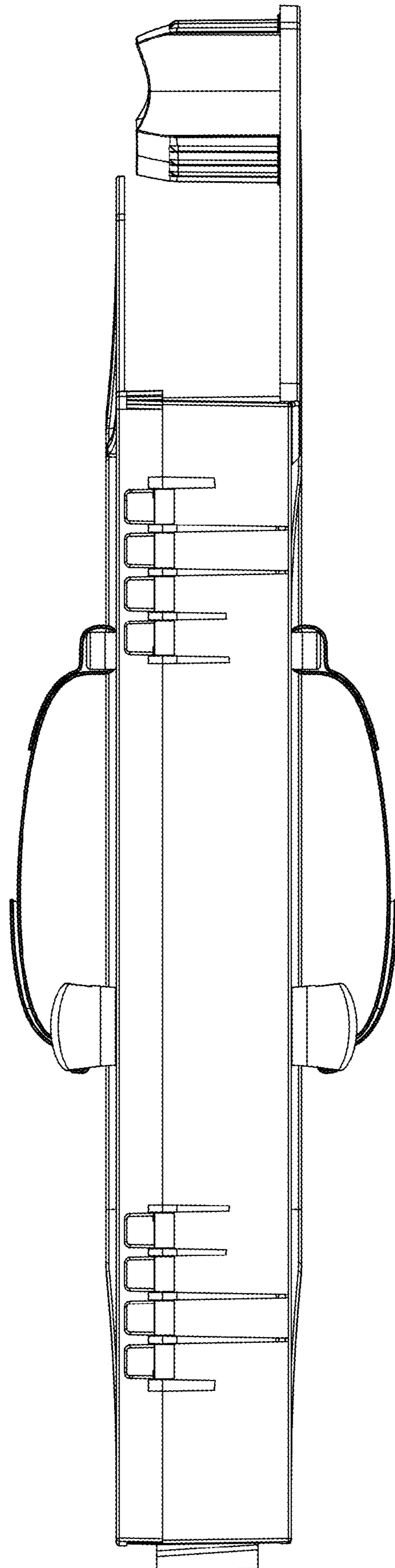


FIG. 8