



US00D954514S

(12) **United States Design Patent**
Wasemiller

(10) **Patent No.:** **US D954,514 S**
(45) **Date of Patent:** **** Jun. 14, 2022**

- (54) **HORIZONTAL MOLDING SYSTEM**
- (71) Applicant: **Matthew M. Wasemiller**, Temecula, CA (US)
- (72) Inventor: **Matthew M. Wasemiller**, Temecula, CA (US)
- (**) Term: **15 Years**
- (21) Appl. No.: **29/678,573**
- (22) Filed: **Jan. 30, 2019**
- (51) **LOC (13) Cl.** **07-04**
- (52) **U.S. Cl.**
USPC **D7/672**
- (58) **Field of Classification Search**
USPC D7/354, 357, 672-677, 359, 361;
99/426; D9/425; D15/90; 426/515
CPC A23G 9/26; A23G 9/221; A23G 9/503;
A23G 9/083; B65D 85/78
See application file for complete search history.

D684,809 S * 6/2013 Barber D7/354
D798,119 S * 9/2017 Locker D7/672
D815,884 S * 4/2018 Freeman D7/354

(Continued)

FOREIGN PATENT DOCUMENTS

FR 1482222 A * 5/1967 A23G 9/26

OTHER PUBLICATIONS

Lekue, Lekue . . . 4 Pieces Popsicle Mould, Apr. 19, 2016, Amazon, https://www.amazon.com/Lekue-Unit-Stackable-Lollipop-Mold/dp/B01EHQ7FT6/ref=sr_1_35?keywords=ICE+CREAM+MOLD&qid=1583964419&sr=8-35 (Year: 2016).*

Primary Examiner — Brett Miller

(74) *Attorney, Agent, or Firm* — John D. Tran; Rhema Law Group

(57) **CLAIM**

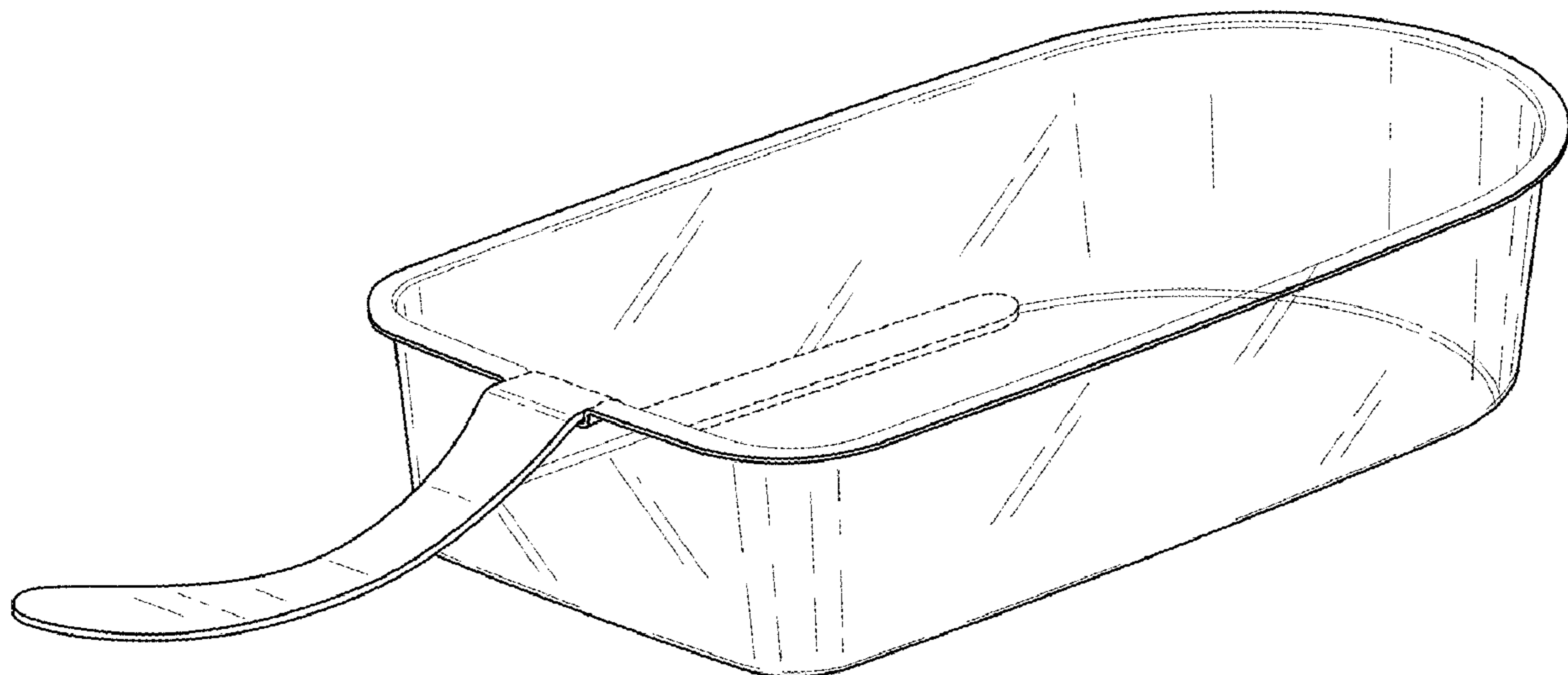
The ornamental design for a horizontal molding system, as shown and described.

DESCRIPTION

FIG. 1 is a perspective view for a horizontal molding system;
FIG. 2 is a front view for a horizontal molding system;
FIG. 3 is a back view for a horizontal molding system;
FIG. 4 is a side view for a horizontal molding system;
FIG. 5 is a top-down view for a horizontal molding system;
FIG. 6 is a perspective view for a horizontal molding system depicting the horizontal molding system containing an ice pop inside; and,
FIG. 7 is a perspective view depicting the handle for a horizontal molding system connected to an illustrative ice pop when removed from the horizontal molding system.
The broken lines shown throughout the views represent the portions of the environmental structure which form no part of the claim.

1 Claim, 4 Drawing Sheets

- (56) **References Cited**
- U.S. PATENT DOCUMENTS**
- 1,292,476 A * 1/1919 Kavagh B65D 43/162
D7/357
- 2,212,764 A * 8/1940 York A23G 9/26
249/95
- 2,312,046 A * 2/1943 Neilson A23G 9/26
249/97
- 2,682,234 A * 6/1954 Baldanza A23G 9/26
249/92
- 2,728,677 A 8/1954 Colman
- 3,060,494 A * 10/1962 Noble A47J 43/20
249/55
- D210,308 S * 2/1968 Gaspard D7/672
- D227,533 S * 7/1973 Christell D7/672
- D363,002 S * 10/1995 Douglas D7/354
- D414,990 S * 10/1999 McAfee D7/672
- 6,045,836 A 4/2000 Saunier et al.
- 6,884,447 B2 4/2005 Baker



(56)

References Cited

U.S. PATENT DOCUMENTS

2013/0011531 A1* 1/2013 Wolf A23G 9/26
426/241
2020/0000119 A1* 1/2020 Wasemiller A23G 9/221

* cited by examiner

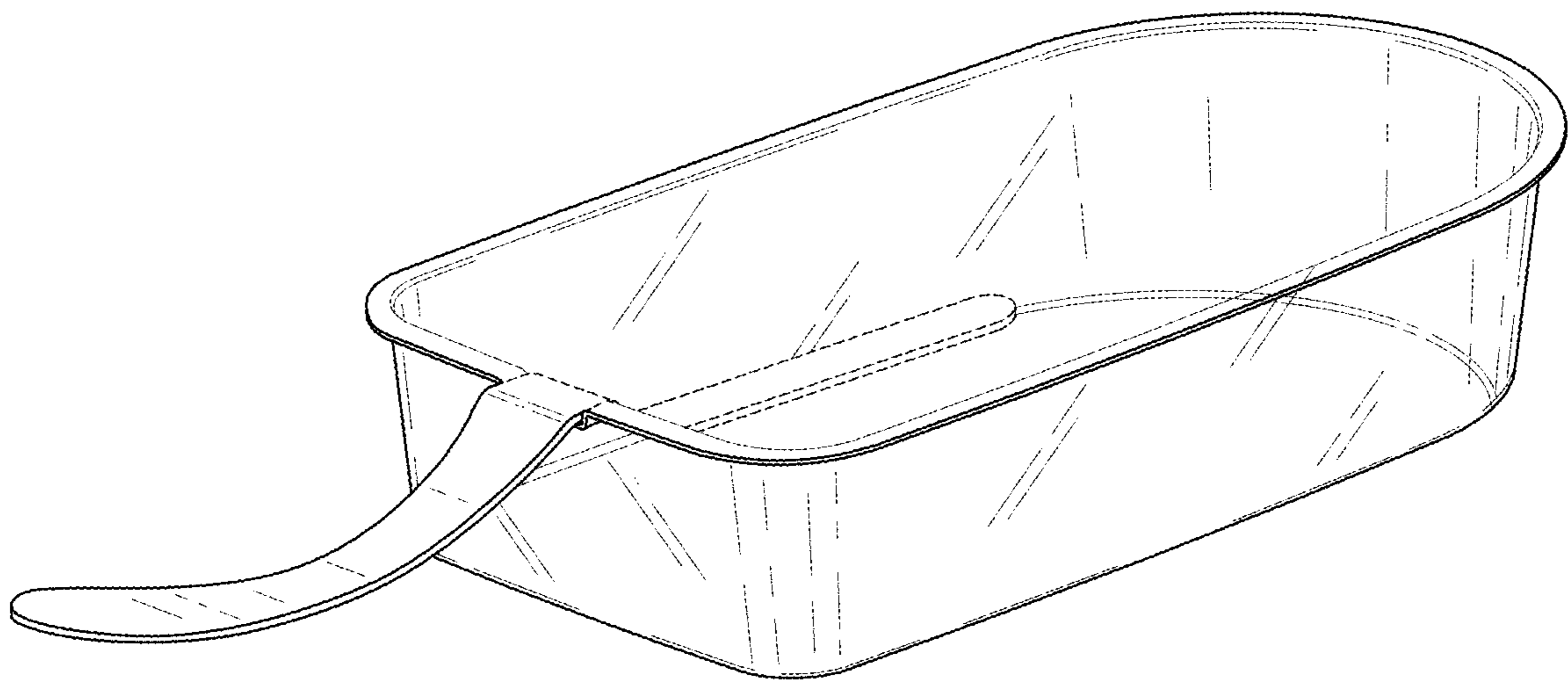


FIG. 1

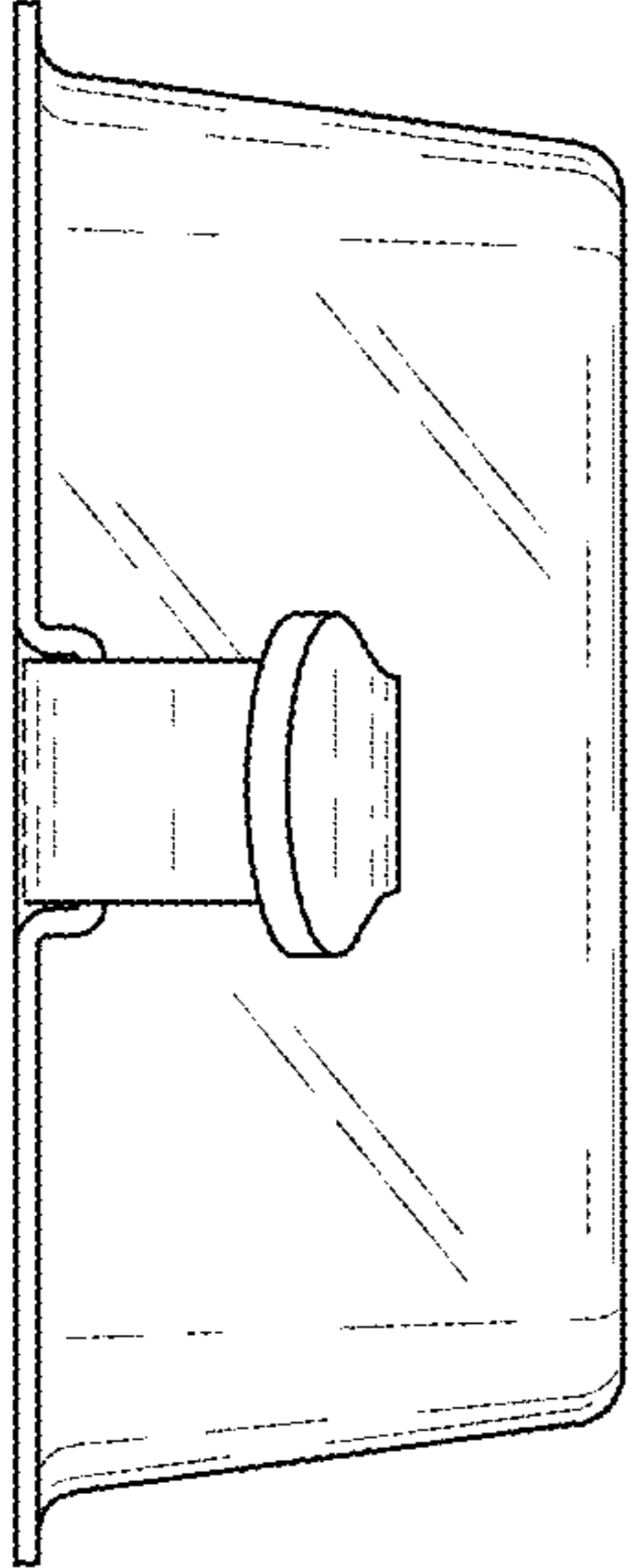


FIG. 2

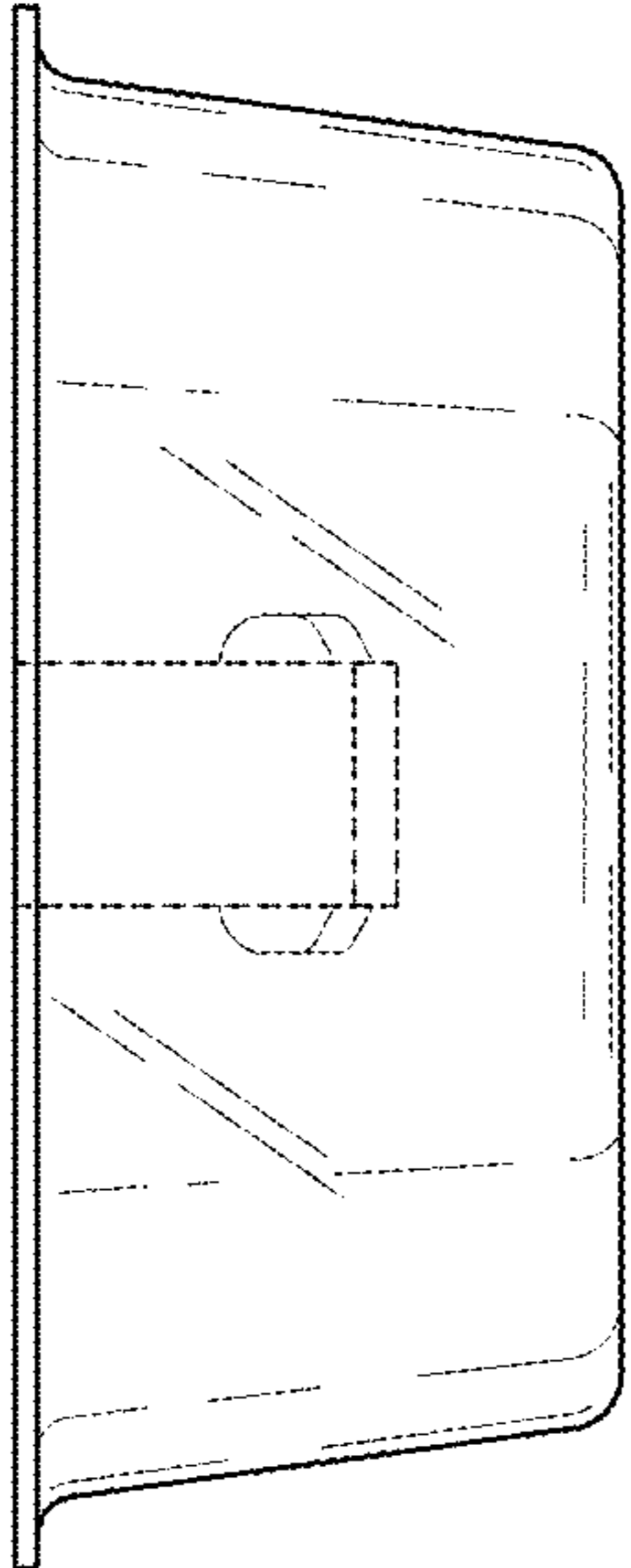


FIG. 3

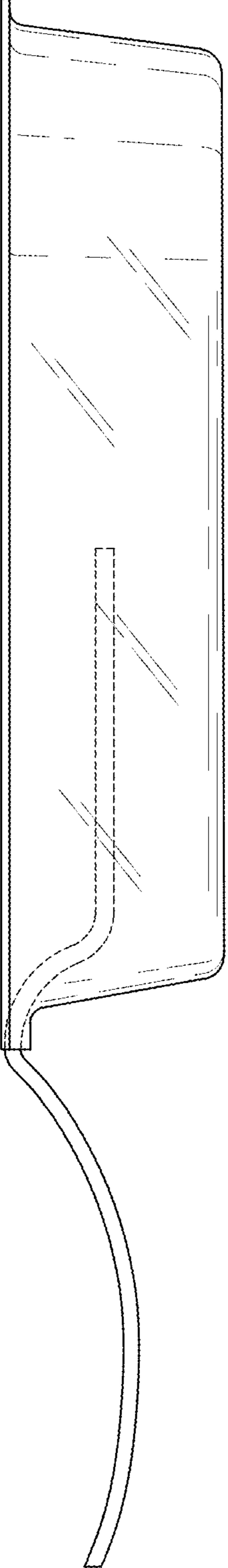


FIG. 4

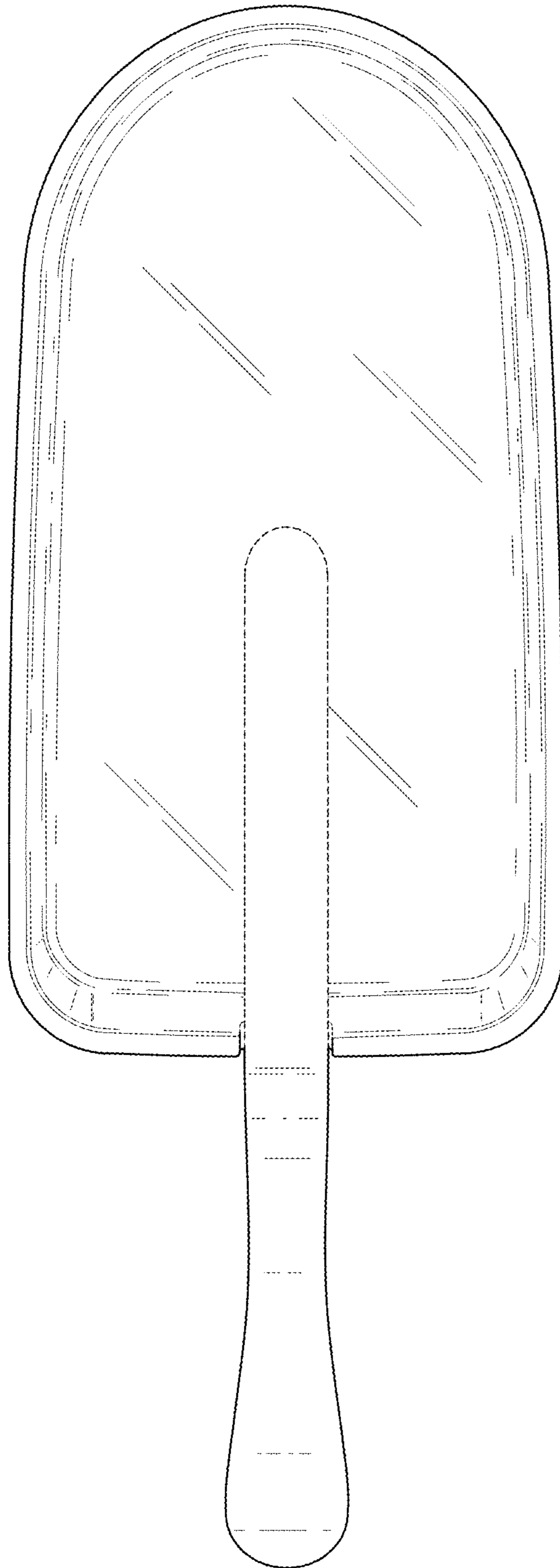


FIG. 5

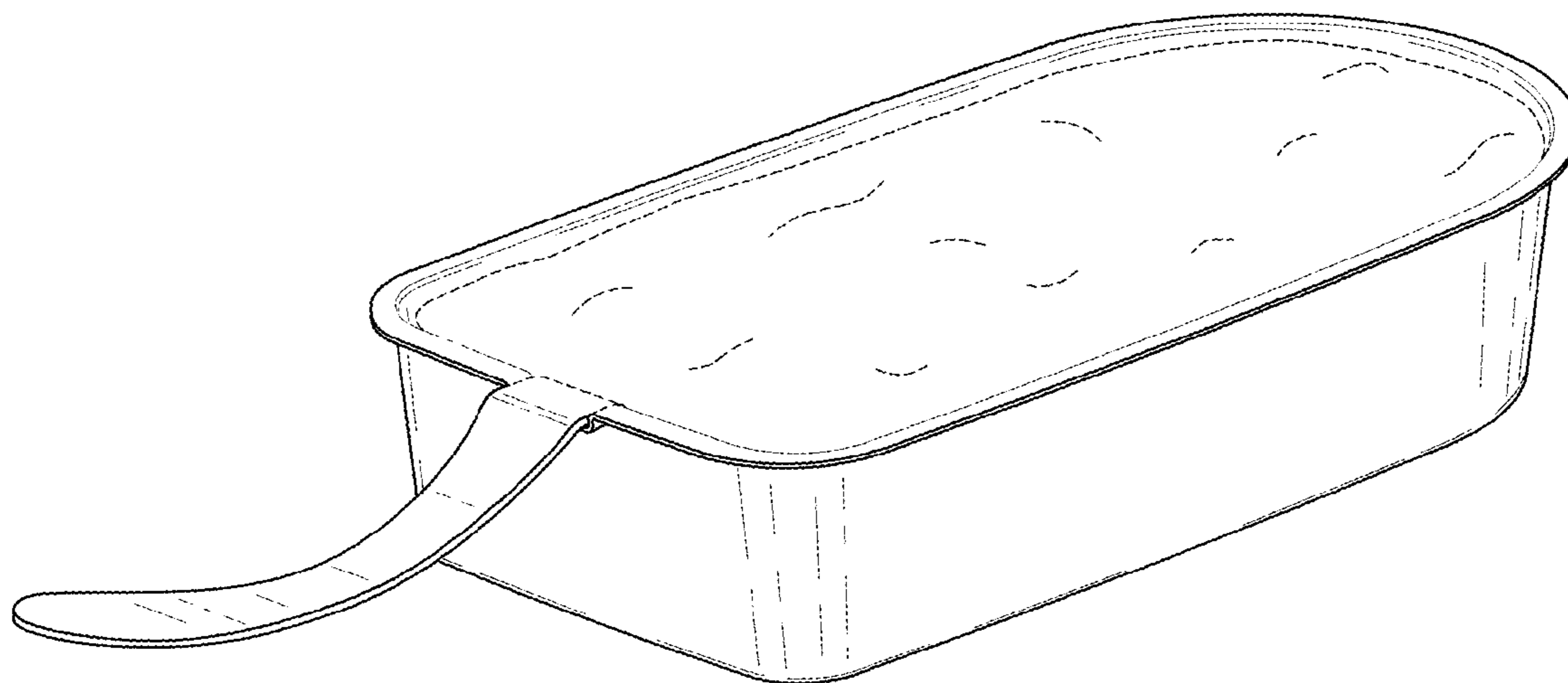


FIG. 6

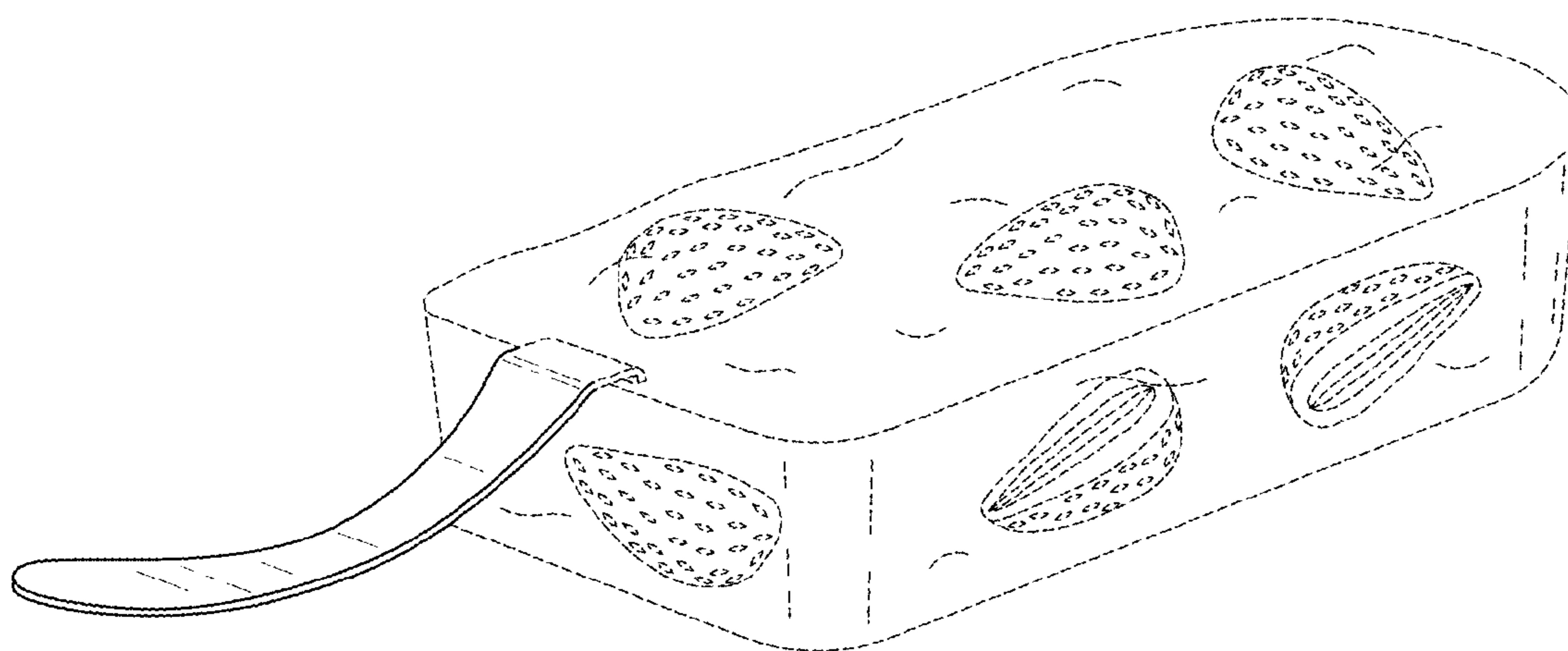


FIG. 7