



US00D954511S

(12) **United States Design Patent** (10) **Patent No.:** **US D954,511 S**  
**Spence** (45) **Date of Patent:** **\*\* Jun. 14, 2022**

(54) **FIRE HYDRANT KNIFE BLOCK** 6,920,987 B2 7/2005 Siegel  
D604,566 S \* 11/2009 Mazzanti ..... D7/637  
(71) Applicant: **Jerry Spence**, Rock Hill, SC (US) D605,472 S \* 12/2009 Iannello ..... D7/639  
7,631,772 B2 12/2009 Lafleur  
(72) Inventor: **Jerry Spence**, Rock Hill, SC (US) D631,134 S \* 1/2011 German ..... D23/234  
D852,332 S \* 6/2019 Burton ..... D23/256  
2004/0031159 A1 \* 2/2004 Rosenberg ..... A47G 21/14  
30/298.4  
(\*\*) Term: **15 Years**

(21) Appl. No.: **29/737,418**

FOREIGN PATENT DOCUMENTS

(22) Filed: **Jun. 9, 2020**

GB 2466253 4/2004

(51) **LOC (13) Cl.** ..... **07-99**

\* cited by examiner

(52) **U.S. Cl.**  
USPC ..... **D7/639**

*Primary Examiner* — Joseph Kukella  
*Assistant Examiner* — Darryl J Dardenne

(58) **Field of Classification Search**  
USPC ..... D3/220, 273, 295, 313, 315, 905;  
D7/213, 612, 613, 623, 637, 639, 649,  
D7/641, 651, 654; D8/35, 38, 63, 71, 91  
CPC ..... A47B 88/90; A47G 21/14; A47J 47/16;  
B24D 15/084; B25H 3/04  
See application file for complete search history.

(57) **CLAIM**

I claim the ornamental design for a fire hydrant knife block,  
as shown and described.

**DESCRIPTION**

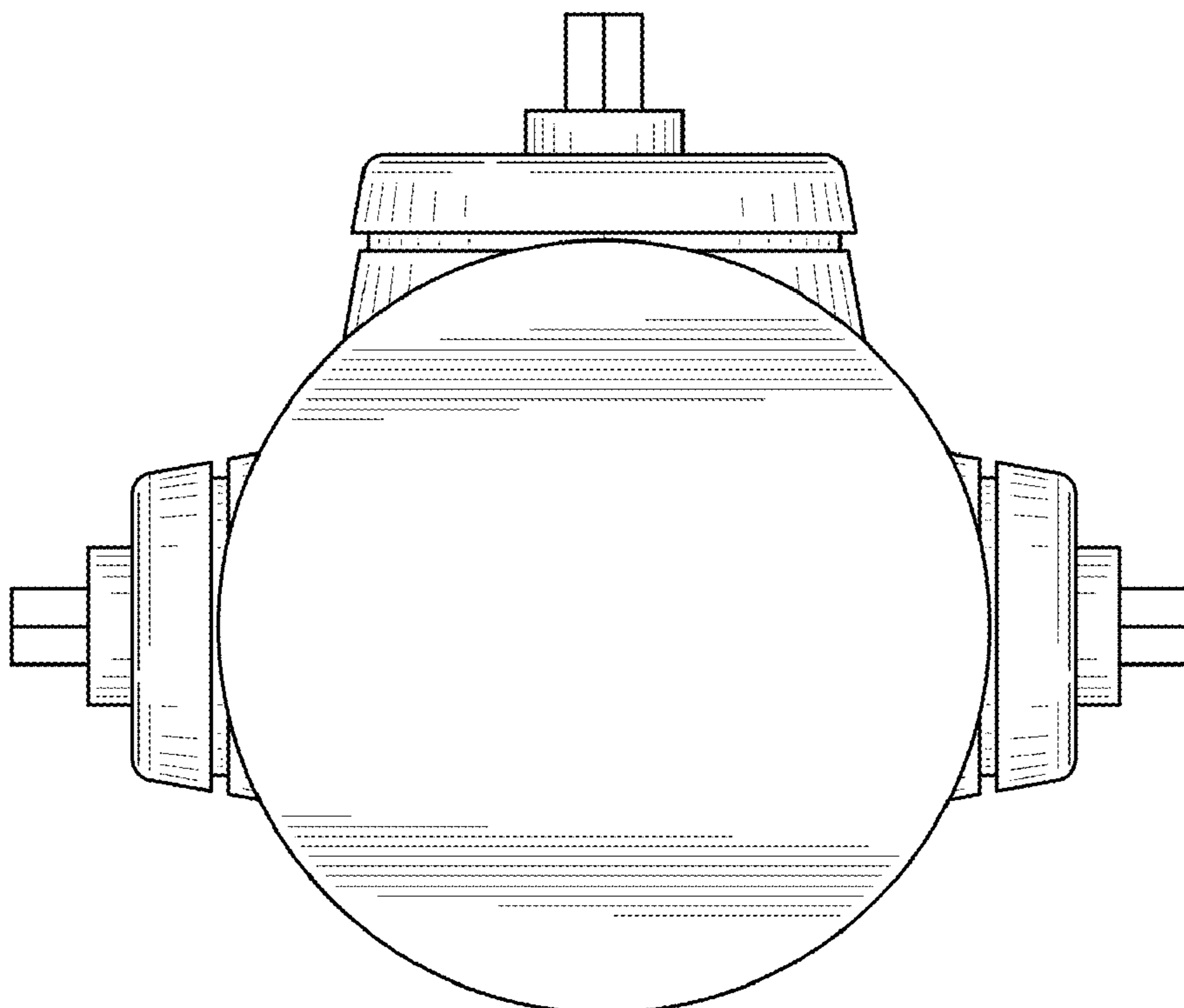
(56) **References Cited**

U.S. PATENT DOCUMENTS

D309,407 S 7/1990 May  
D328,620 S \* 8/1992 Maple ..... A47G 21/14  
D21/483  
5,245,756 A 9/1993 Howell  
D412,426 S \* 8/1999 Prissberg ..... D7/651  
D412,647 S \* 8/1999 Prissberg ..... D7/651  
D412,812 S \* 8/1999 Prissberg ..... D7/651  
6,375,016 B1 4/2002 Stuchlik, III  
D488,677 S 4/2004 Reichenbach  
6,854,186 B2 2/2005 Basden

FIG. 1 is a front view of the fire hydrant knife block.  
FIG. 2 is a rear view of the claimed design.  
FIG. 3 is a left side view of the claimed design.  
FIG. 4 is a right side view of the claimed design.  
FIG. 5 is a top view of the claimed design.  
FIG. 6 is a bottom view of the claimed design.  
FIG. 7 is an exploded perspective view of the claimed design; and,  
FIG. 8 is a perspective view of the claimed design.  
The broken lines appearing on FIG. 7 of a set of knives are environmental matter forming no part of the claimed design.

**1 Claim, 7 Drawing Sheets**



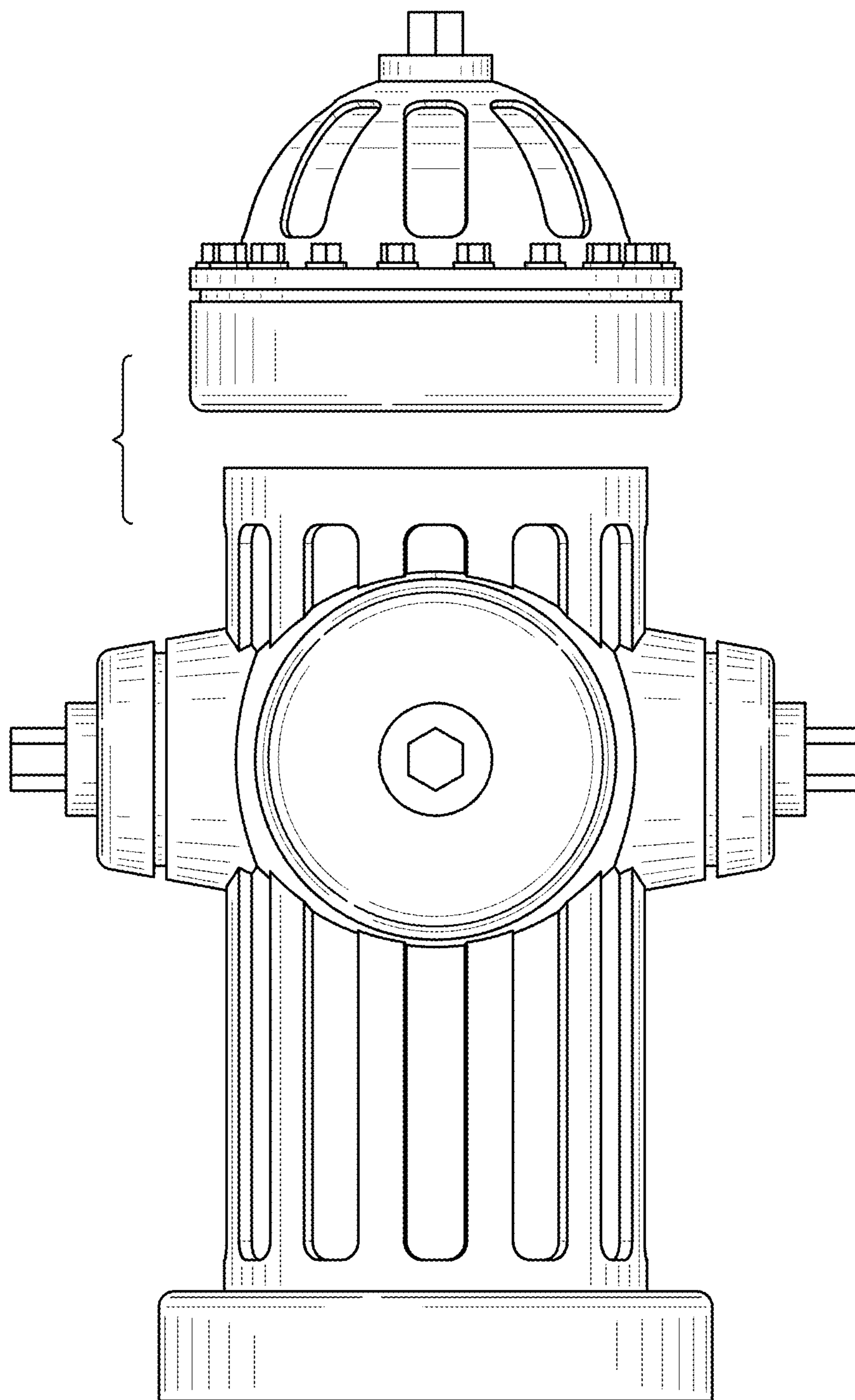


FIG. 1

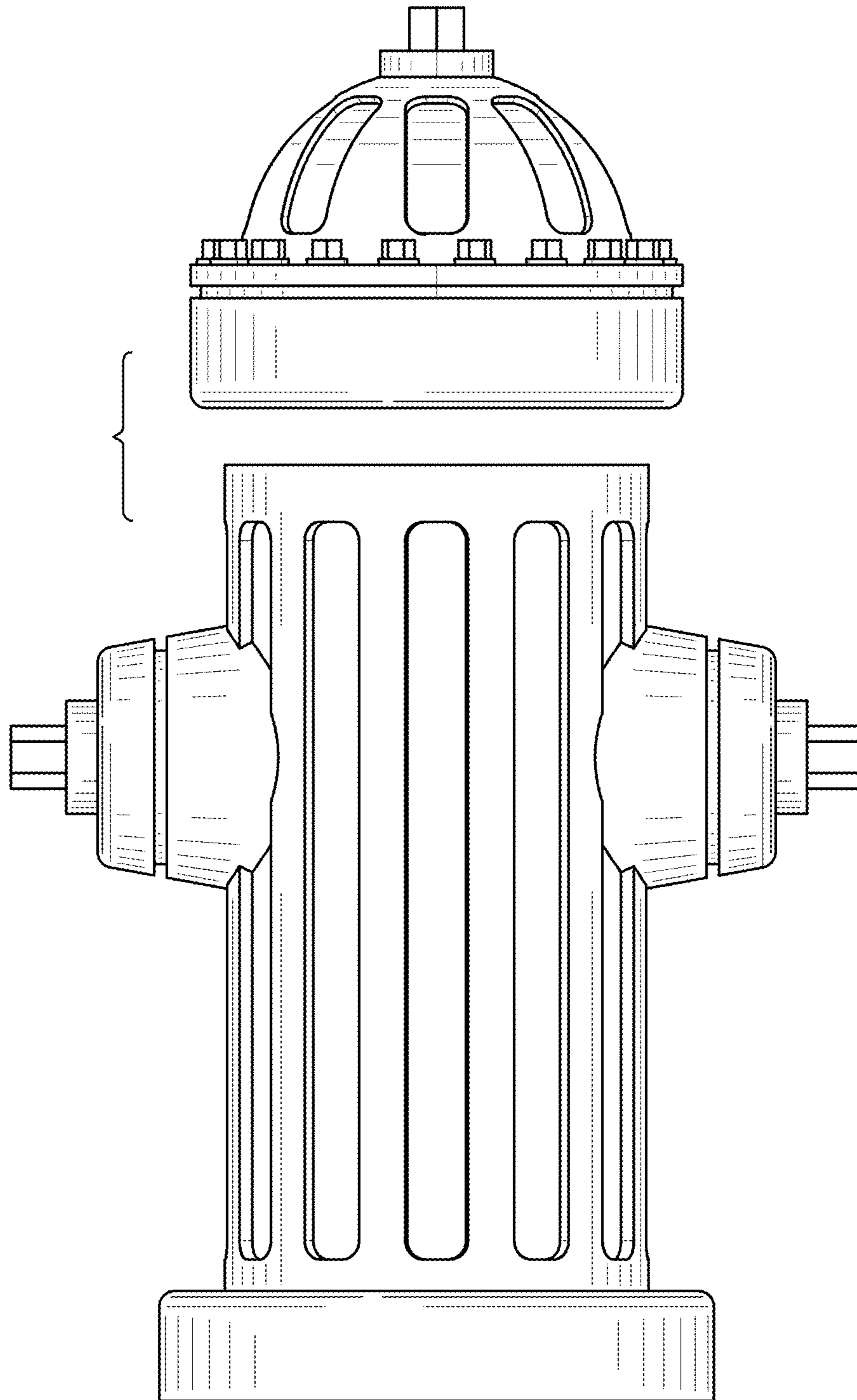


FIG. 2

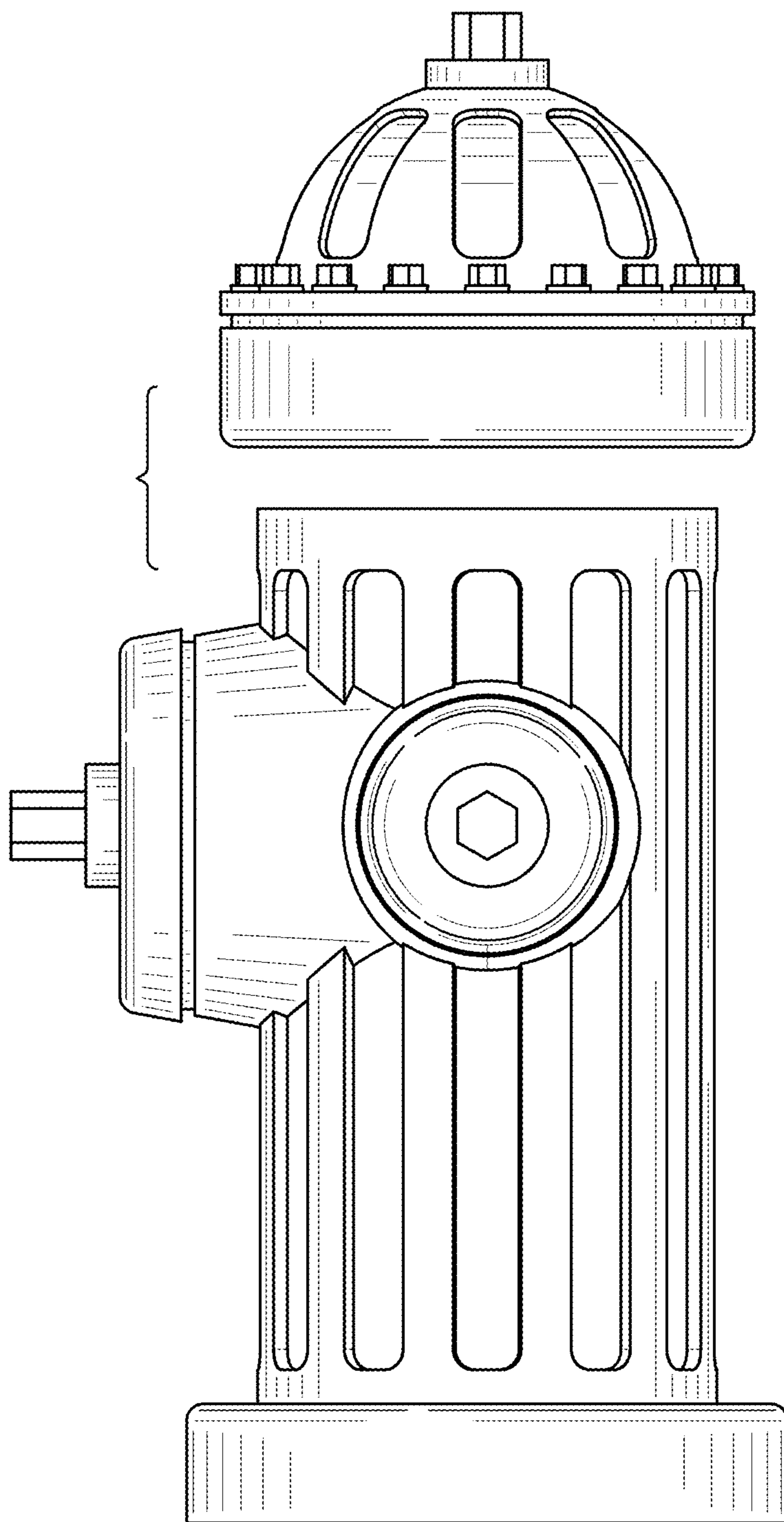


FIG. 3



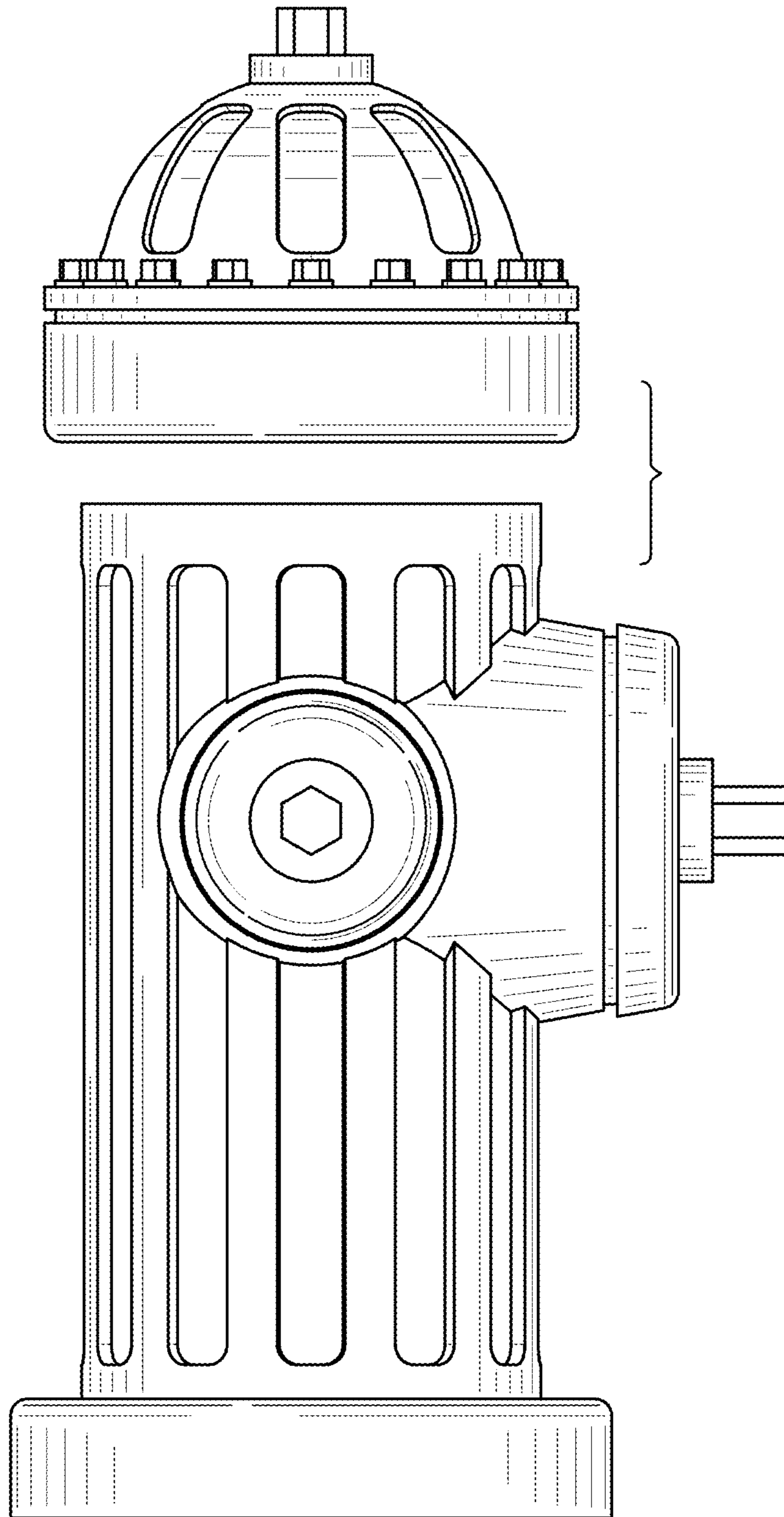


FIG. 4

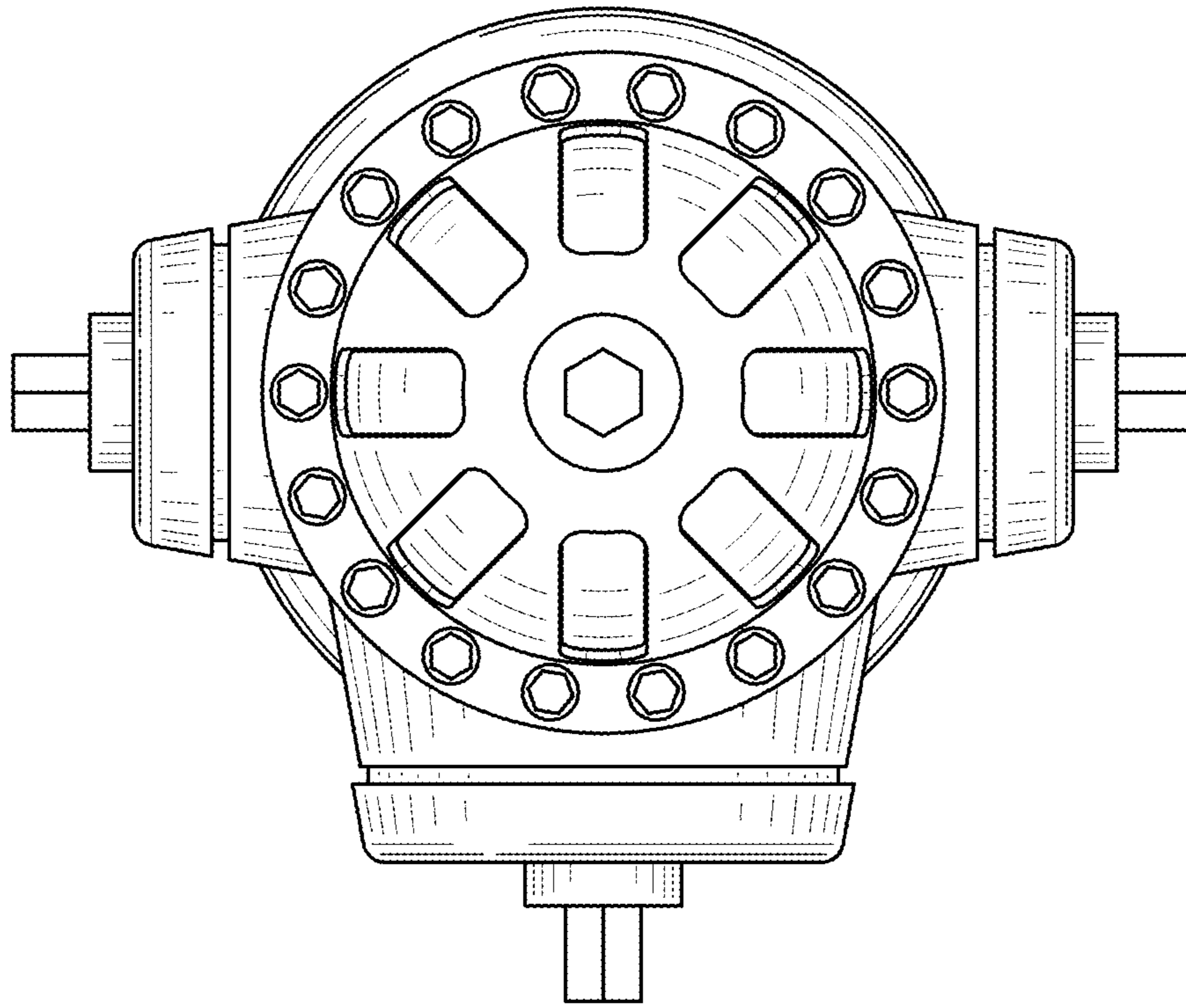


FIG. 5

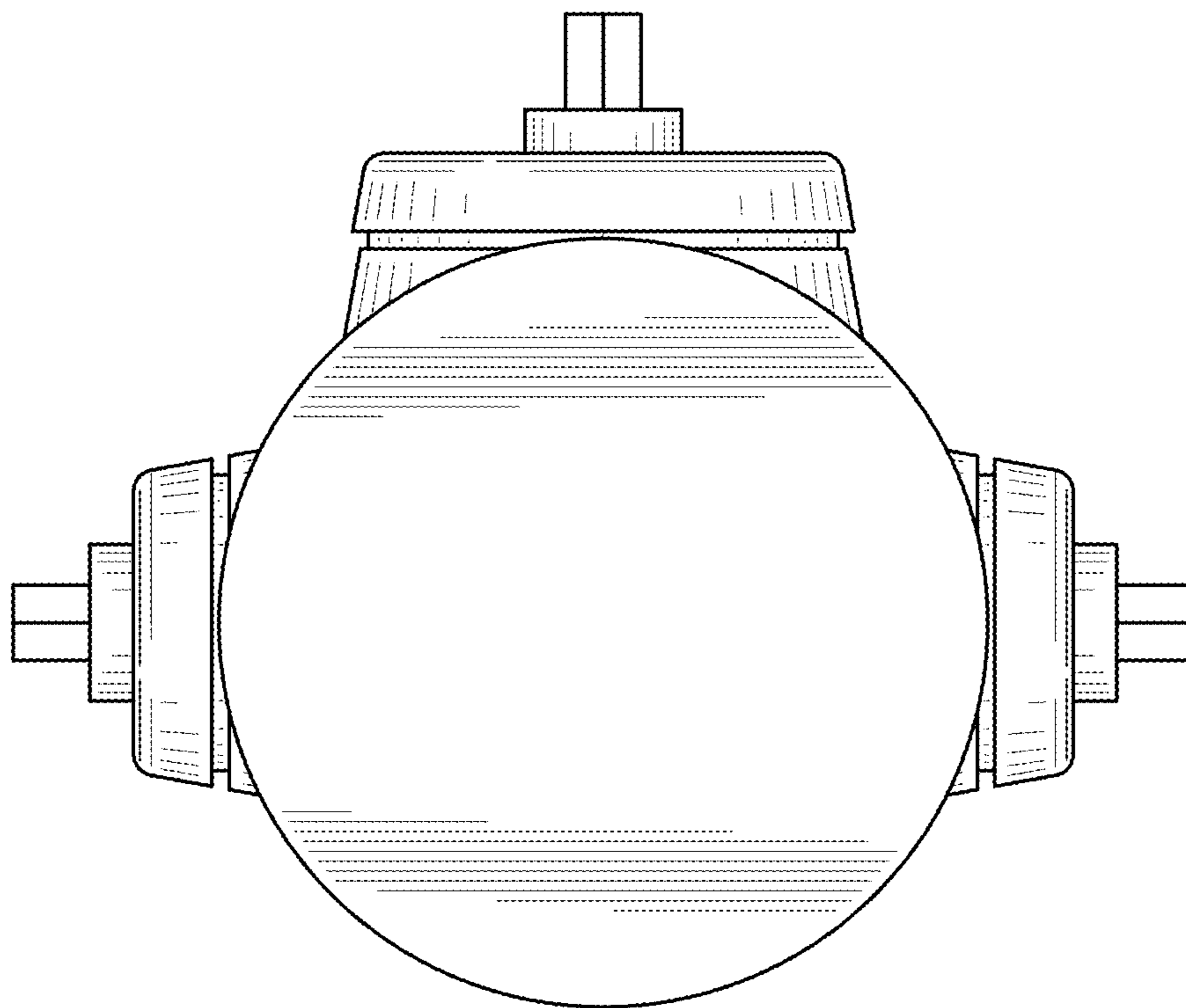


FIG. 6

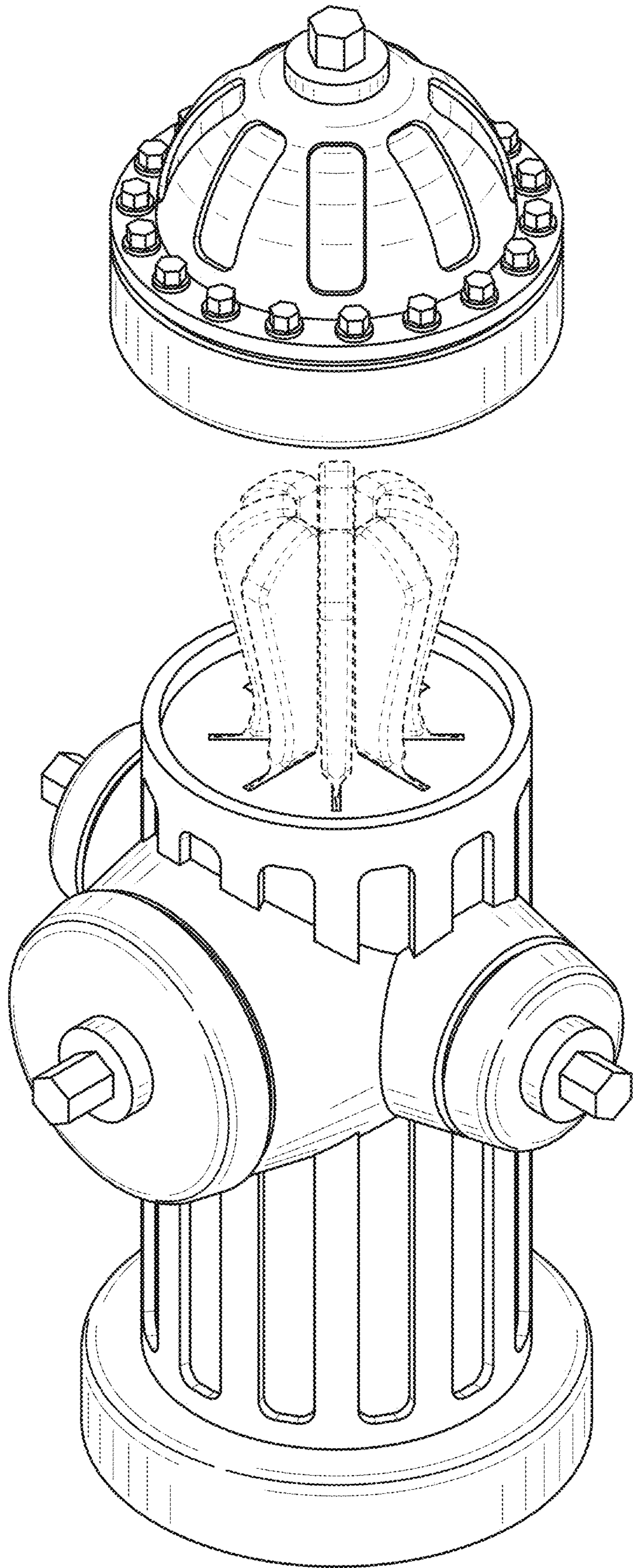


FIG. 7

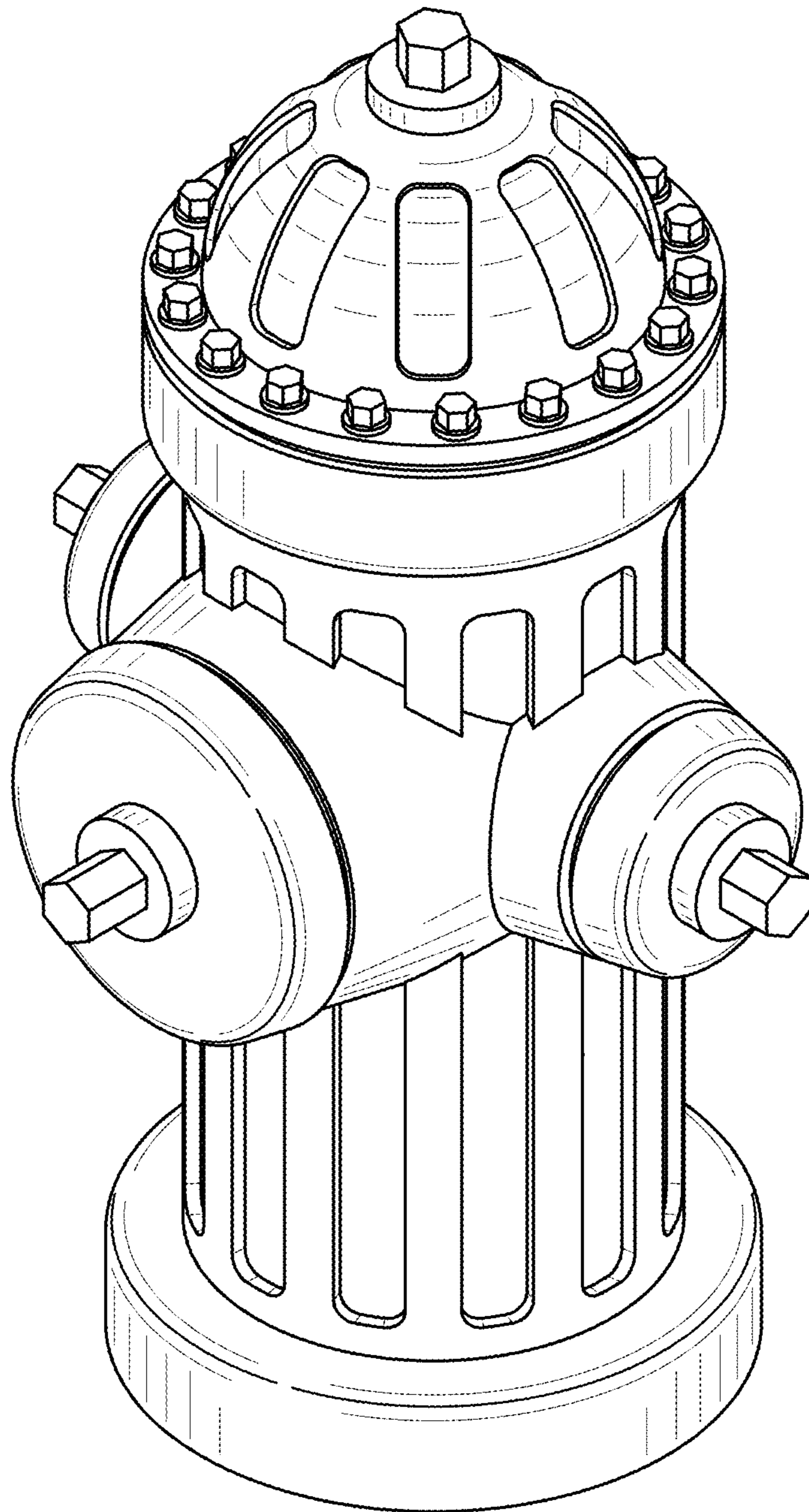


FIG. 8