



US00D954509S

(12) **United States Design Patent**
Liu

(10) **Patent No.:** **US D954,509 S**
(45) **Date of Patent:** **** Jun. 14, 2022**

(54) **KNIFE BLOCK**

D886,542 S 6/2020 deBretton Gordon
D914,462 S * 3/2021 Feng D7/638
D917,982 S * 5/2021 deBretton Gordon D7/637

(71) Applicant: **BOLTON TECH (USA) INC.**,
Pomona, CA (US)

(72) Inventor: **Huazhu Liu**, Shandong Province (CN)

(**) Term: **15 Years**

(21) Appl. No.: **29/781,013**

(22) Filed: **Apr. 28, 2021**

(51) **LOC (13) Cl.** **07-99**

(52) **U.S. Cl.**
USPC **D7/638**

(58) **Field of Classification Search**
USPC D3/304, 306, 316; D6/566, 567, 573,
D6/574; D7/631, 637-641; D19/75, 81,
D19/83-86, 90, 92
CPC A47B 88/00; A47G 21/14; A47G 21/16;
A47G 21/184; A47G 23/06; A47G
29/087; A47J 45/02; A47J 47/16; B65D
1/34; B65D 1/36

See application file for complete search history.

(56) **References Cited**

U.S. PATENT DOCUMENTS

D267,922 S * 2/1983 Schweizer D7/363
D295,249 S * 4/1988 Peterson D7/637
D317,551 S * 6/1991 King D7/638
D374,380 S * 10/1996 Sawatsky D7/698
D382,775 S * 8/1997 Skerker D7/638
D410,822 S * 6/1999 Ancona D7/638
D800,513 S * 10/2017 Liu D7/637

OTHER PUBLICATIONS

Tosca Knife & Cutting Board Stand, announced Sep. 12, 2020,
[online], site visited Feb. 7, 2022. Available from Internet, URL:
<http://www.theyamazakihome.com> (Year: 2020).*

* cited by examiner

Primary Examiner — Janice Patyk

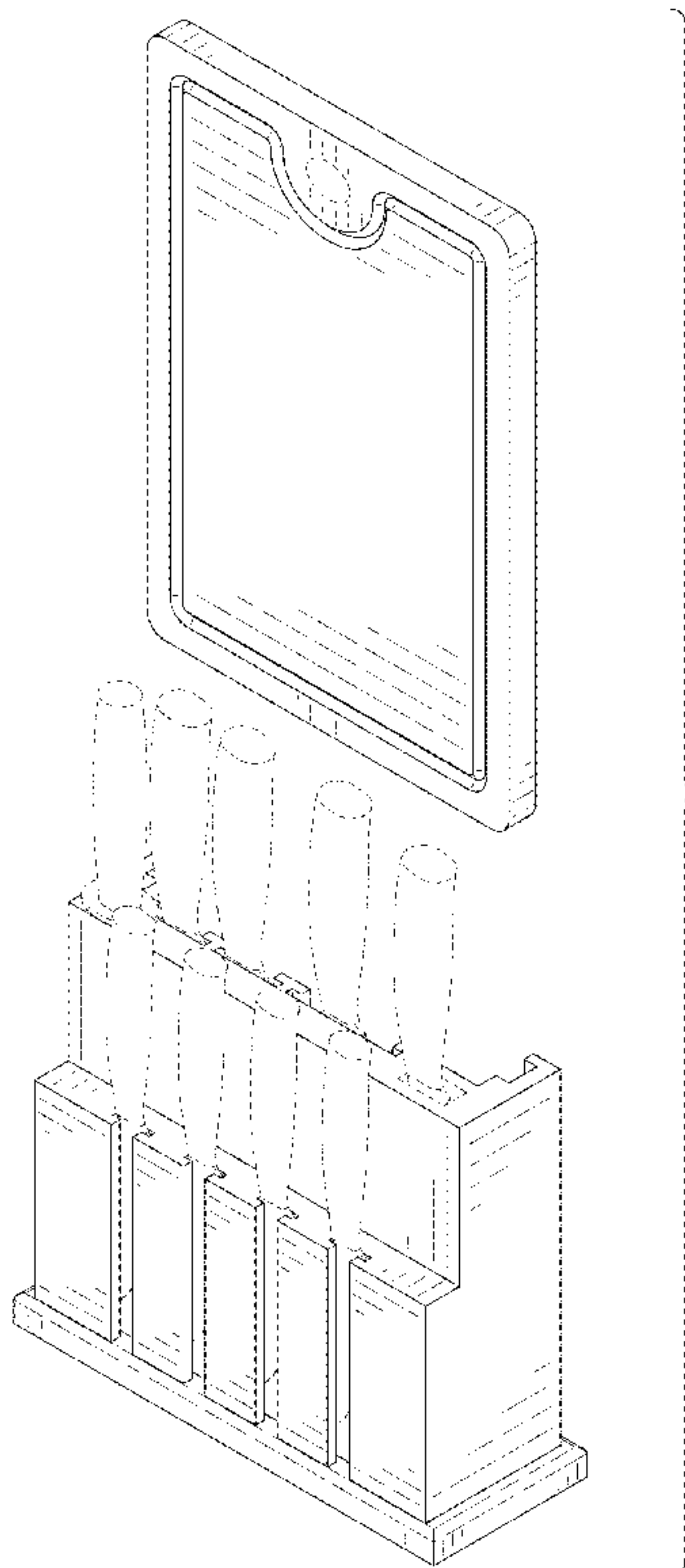
(57) **CLAIM**

The ornamental design for a knife block, as shown and described.

DESCRIPTION

FIG. 1 is an exploded front, top perspective view of a knife block, showing my new design;
FIG. 2 is an exploded rear, bottom perspective view thereof;
FIG. 3 is an exploded front elevation view thereof;
FIG. 4 is an exploded rear elevation view thereof;
FIG. 5 is an exploded left side elevation view thereof;
FIG. 6 is an exploded right side elevation view thereof;
FIG. 7 is a top plan view thereof;
FIG. 8 is a bottom plan view thereof; and,
FIG. 9 is a front, top perspective view thereof.
The broken lines in the figures illustrate portions of the knife block that form no part of the claimed design.

1 Claim, 9 Drawing Sheets



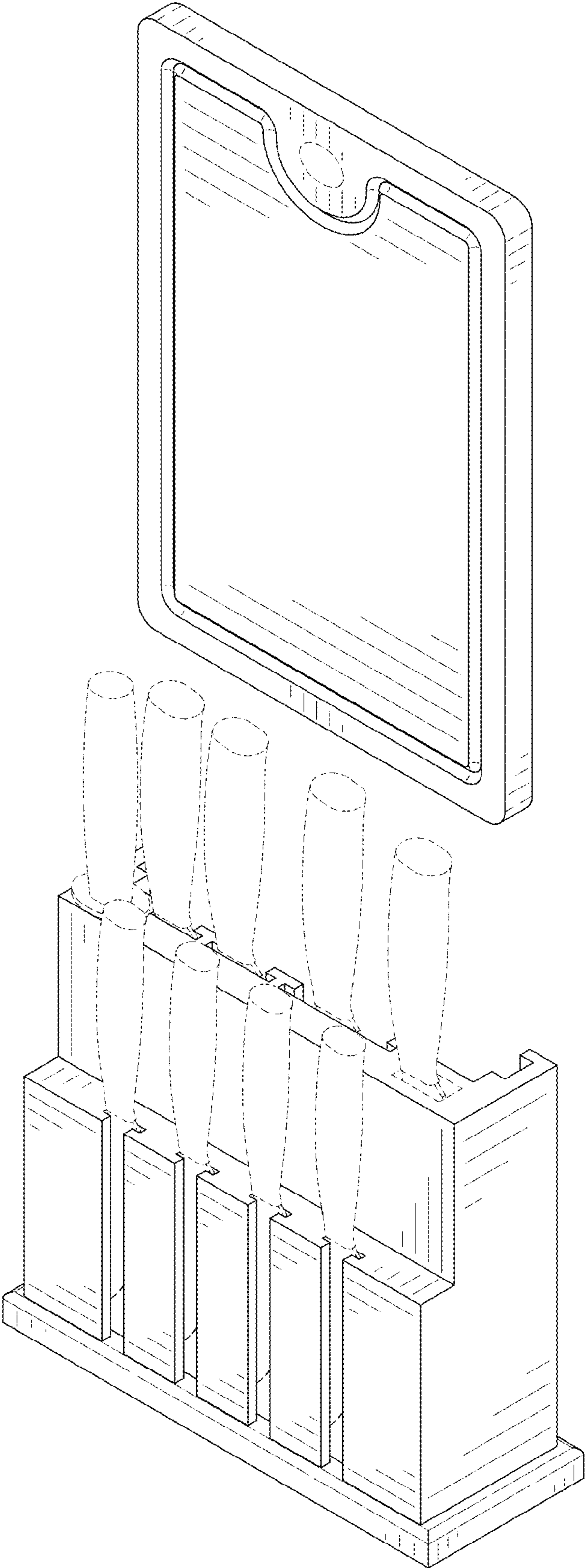


FIG. 1

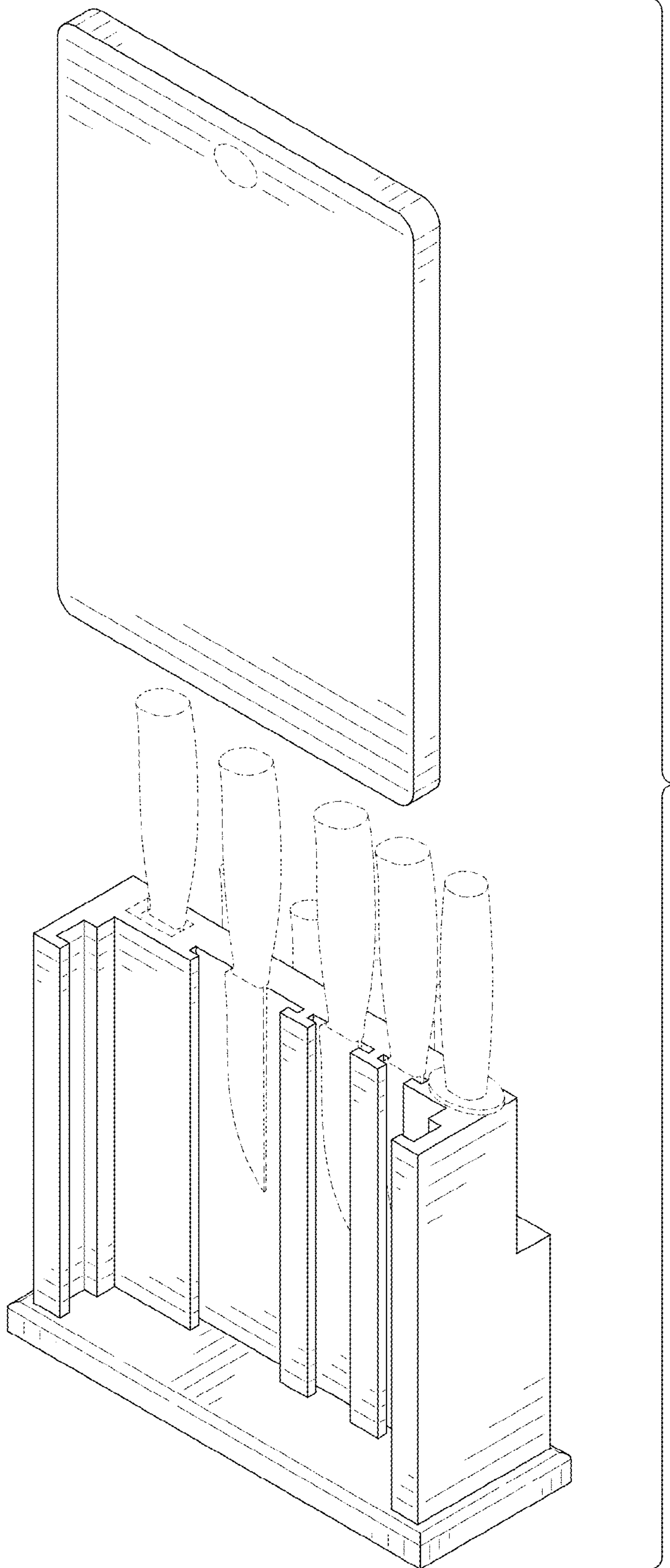


FIG. 2

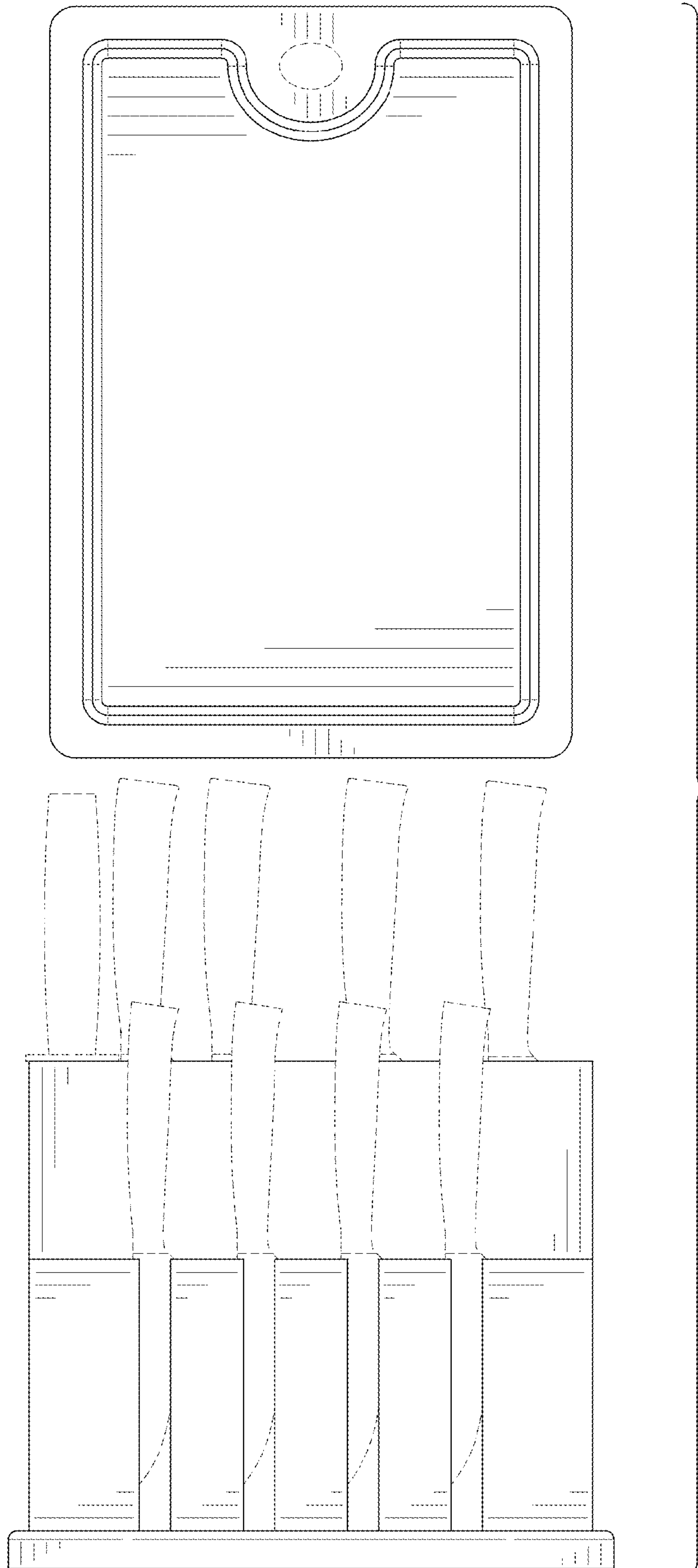


FIG. 3

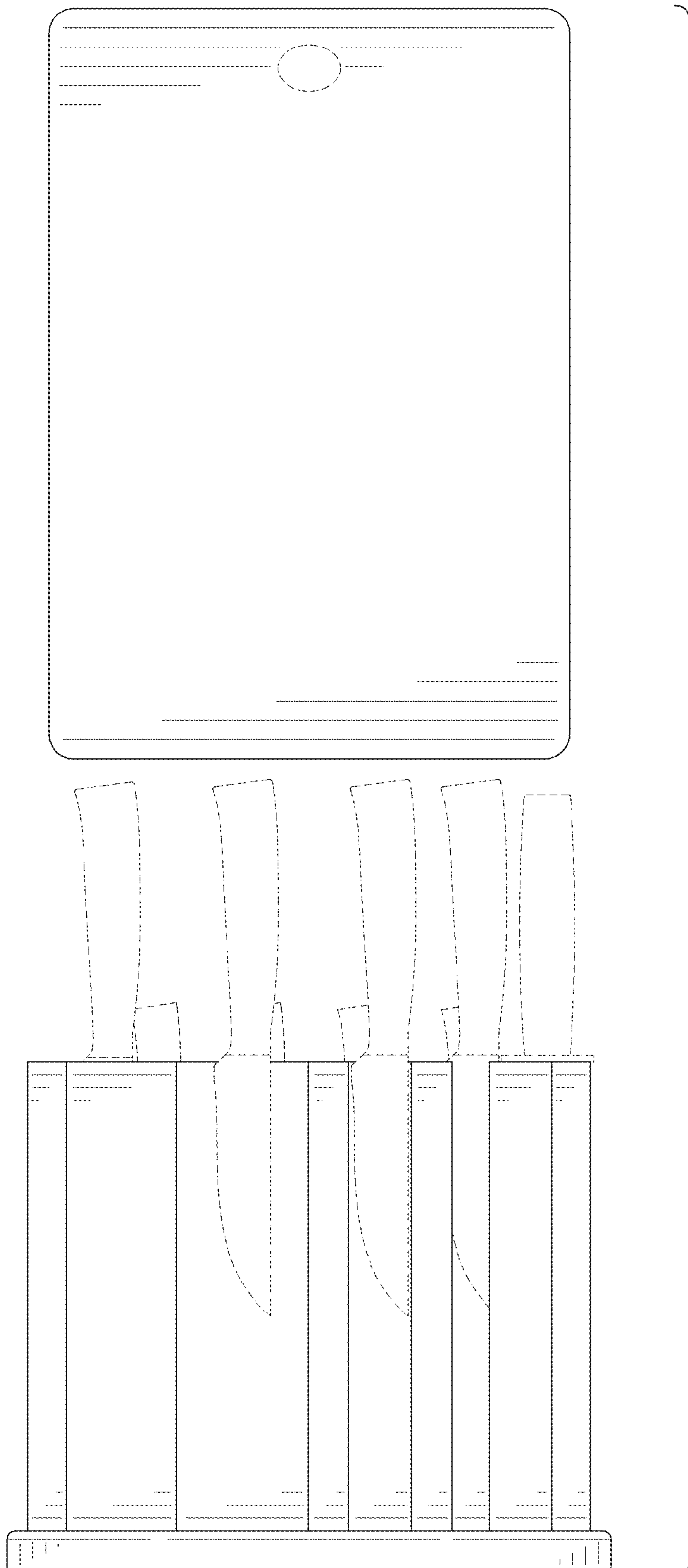


FIG. 4

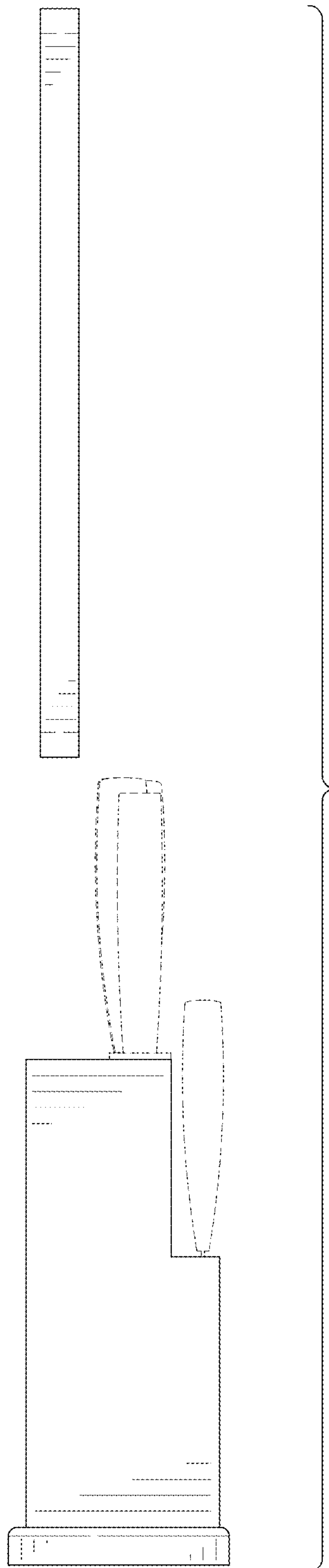


FIG. 5

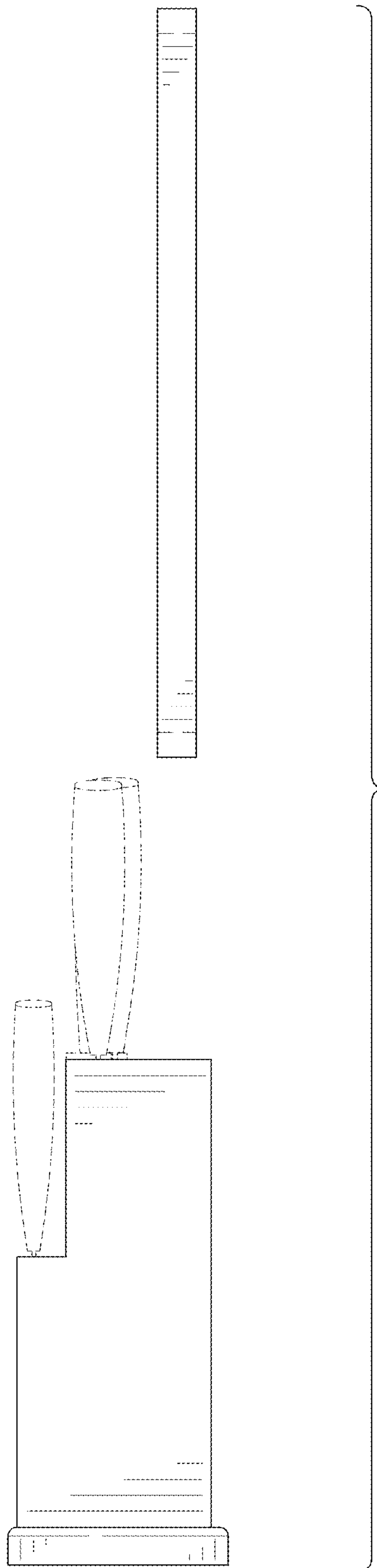


FIG. 6

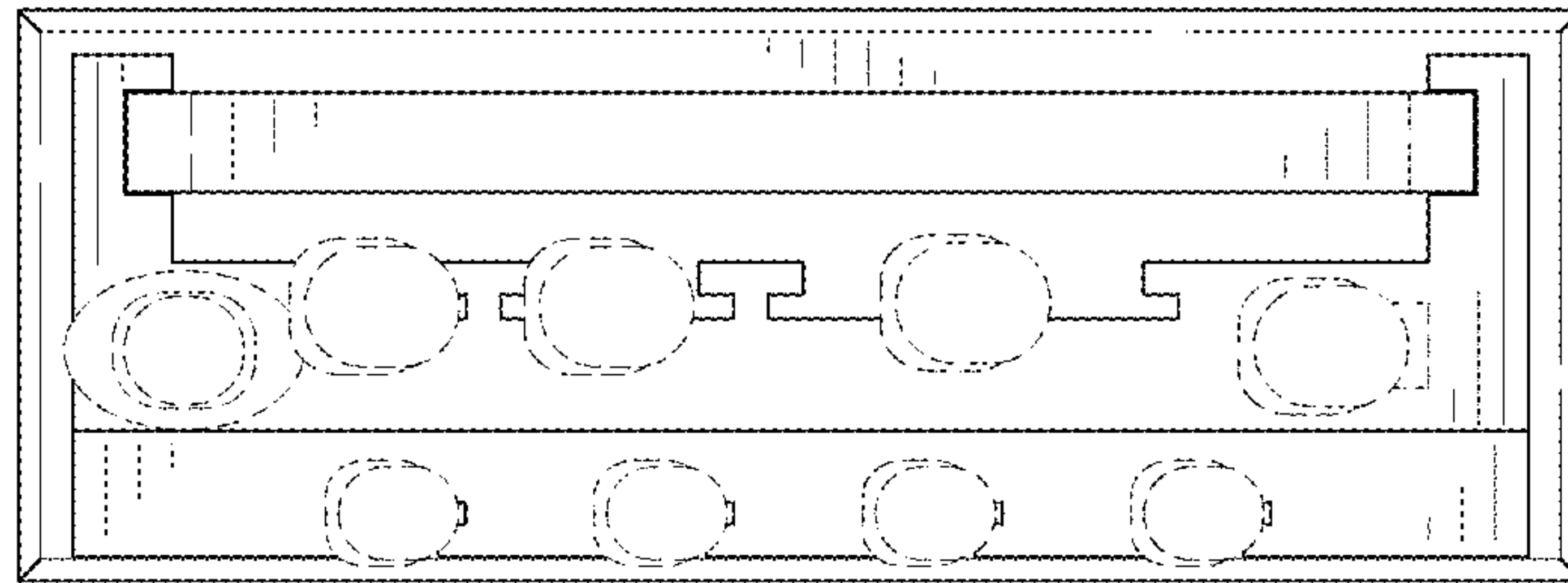


FIG. 7

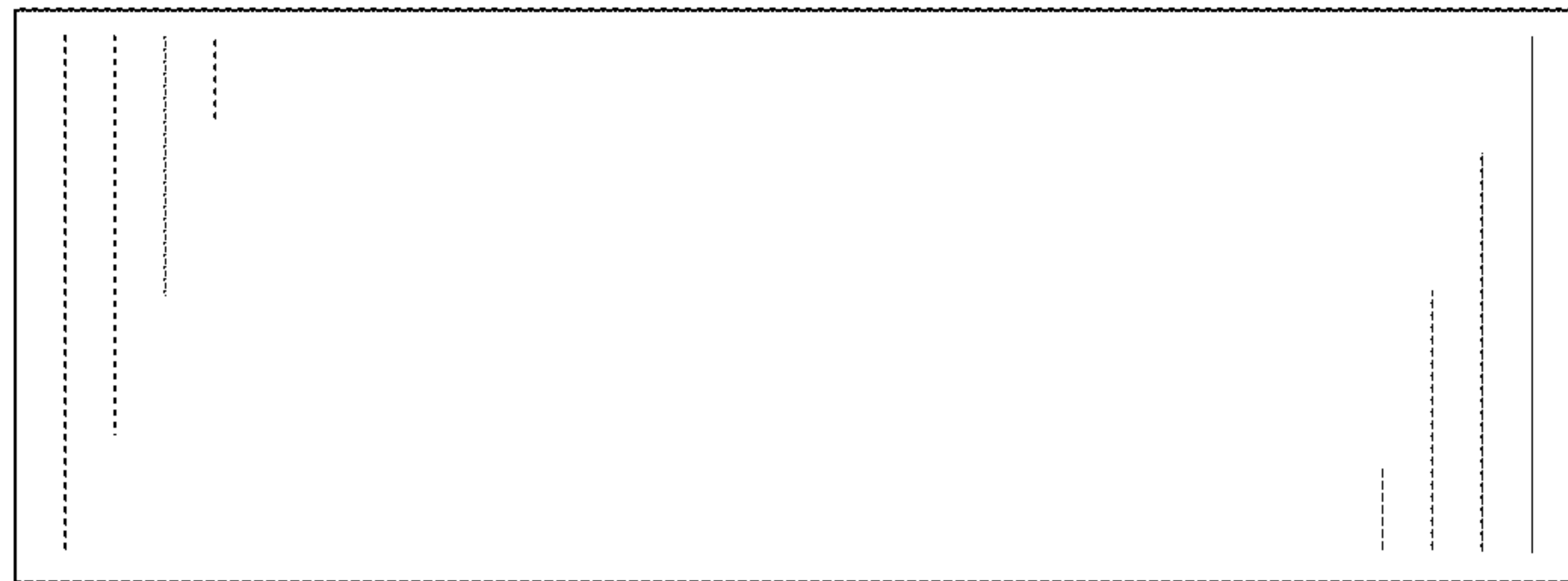


FIG. 8

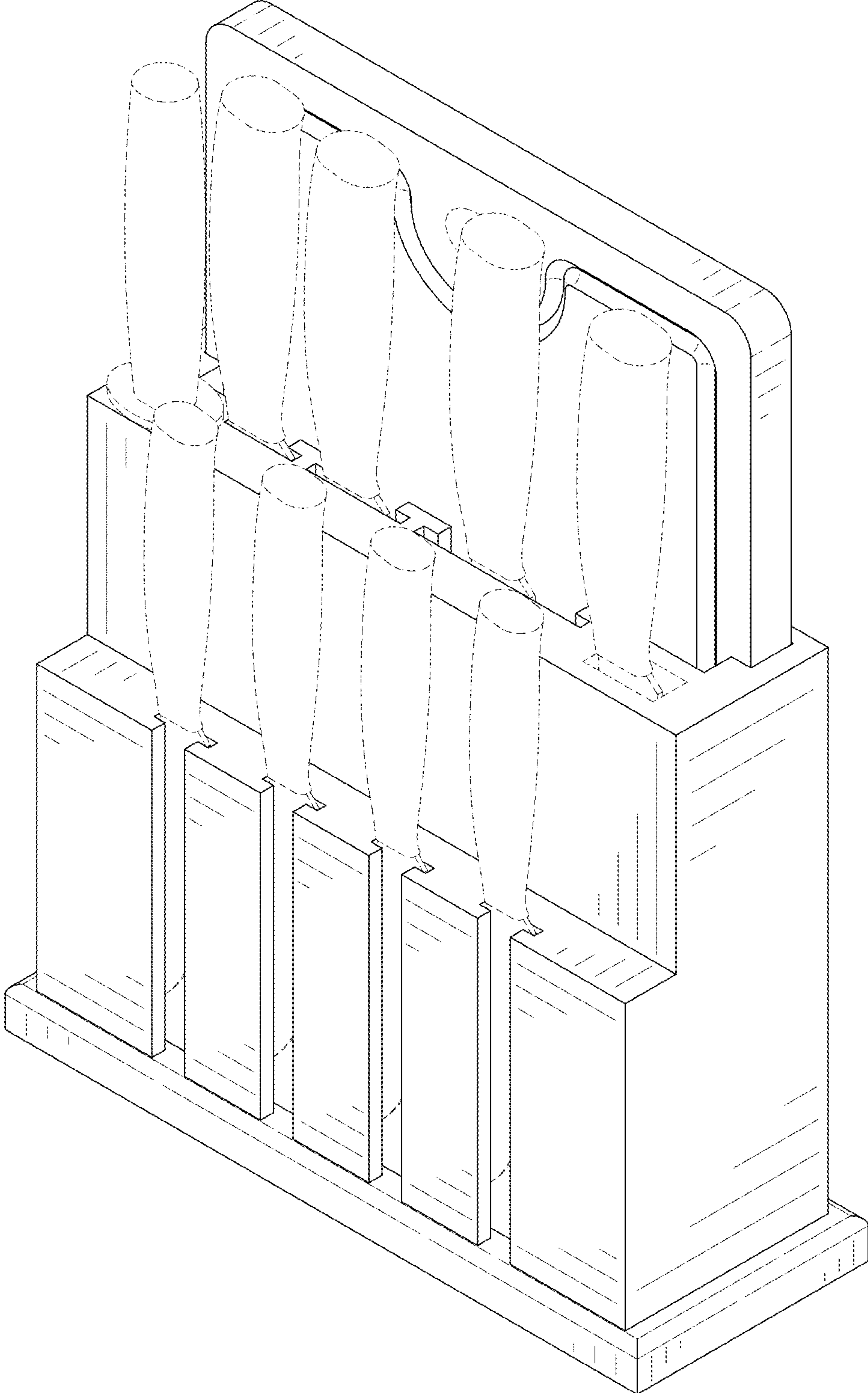


FIG. 9