



US00D954508S

(12) **United States Design Patent**  
**Ni**

(10) **Patent No.:** **US D954,508 S**

(45) **Date of Patent:** **\*\* Jun. 14, 2022**

(54) **BEVERAGE CONTAINER**

(71) Applicant: **Zhenming Ni**, San Marino, CA (US)

(72) Inventor: **Zhenming Ni**, San Marino, CA (US)

(\*\*) Term: **15 Years**

(21) Appl. No.: **29/733,753**

(22) Filed: **May 6, 2020**

(51) **LOC (13) Cl.** ..... **09-03**

(52) **U.S. Cl.**  
USPC ..... **D7/622**

(58) **Field of Classification Search**  
USPC ..... D7/300, 313, 316, 507, 509, 510, 511,  
D7/602, 605, 608, 619, 622  
CPC .. A47J 41/00; A47J 43/00; A47J 47/00; A47J  
47/02; A47J 47/08; A47G 19/2205; A47G  
23/16; A47G 19/2272; A47G 19/2288;  
A47G 19/23; A45F 3/16; A45F  
2200/0583; B65D 1/265; B65D 3/22;  
B65D 81/3453; B65D 81/3865

See application file for complete search history.

(56) **References Cited**

**U.S. PATENT DOCUMENTS**

- 4,096,966 A \* 6/1978 Korshak ..... A47G 19/2261  
220/603
- D251,766 S \* 5/1979 Hammerschmidt .....  
B65D 81/3876  
D7/394
- D260,842 S \* 9/1981 Trombly ..... D7/318
- D308,926 S \* 7/1990 Zivin ..... D7/319
- 5,185,505 A \* 2/1993 Grzywana ..... A47J 31/0615  
219/689
- D352,201 S \* 11/1994 Spence, Jr. .... D24/197
- D369,724 S \* 5/1996 Wieneke ..... D7/622

- D377,741 S \* 2/1997 Bennett ..... D7/536
- D608,140 S \* 1/2010 Gilbert ..... D7/396.2
- D721,251 S \* 1/2015 Stamper ..... D7/533
- D730,695 S \* 6/2015 Lin ..... D7/516
- D756,712 S \* 5/2016 Kushner ..... D7/536
- D890,573 S \* 7/2020 Jacobsen ..... D7/510
- D899,862 S \* 10/2020 Rane ..... D7/536
- D901,975 S \* 11/2020 Jacobsen ..... D7/511
- D904,125 S \* 12/2020 Jacobsen ..... D7/536
- D909,818 S \* 2/2021 Hunter ..... D7/536
- D911,779 S \* 3/2021 Hunter ..... A47G 19/2261  
D7/536
- D934,633 S \* 11/2021 Hunter ..... D7/536
- 2015/0122828 A1 \* 5/2015 Madala ..... B65D 81/3876  
220/592.17

\* cited by examiner

*Primary Examiner* — Joseph Kukella  
*Assistant Examiner* — Darryl J Dardenne  
(74) *Attorney, Agent, or Firm* — Tsz Lung Yeung

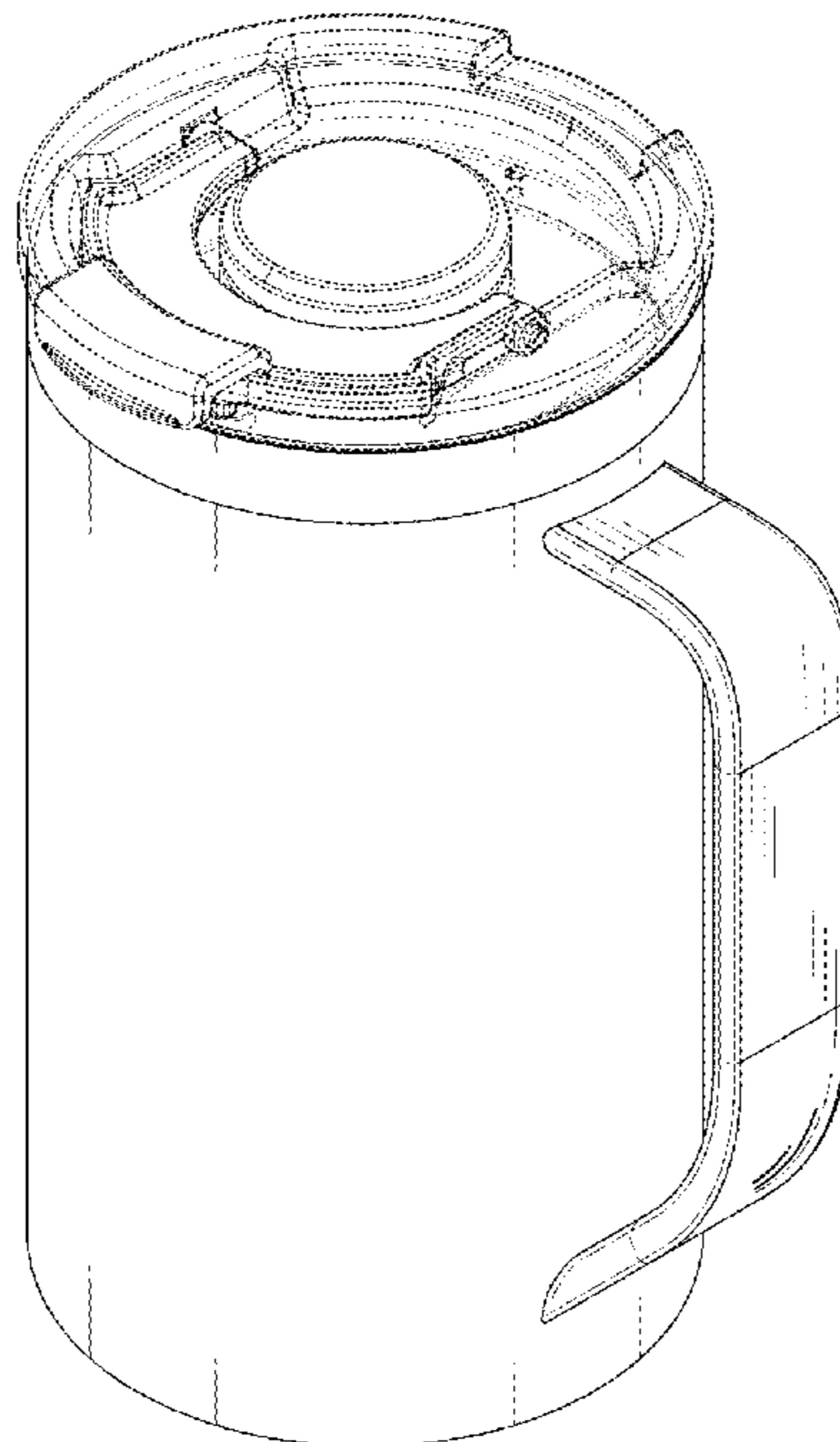
(57) **CLAIM**

The ornamental design for a beverage container, as shown and described.

**DESCRIPTION**

FIG. 1 is a perspective view of a beverage container showing my new design;  
FIG. 2 is a front view thereof;  
FIG. 3 is a rear view thereof;  
FIG. 4 is a left side view thereof;  
FIG. 5 is a right side view thereof;  
FIG. 6 is a top view thereof; and,  
FIG. 7 is a bottom view thereof.  
The broken lines depict portions of the beverage container that form no part of the claimed design.

**1 Claim, 7 Drawing Sheets**



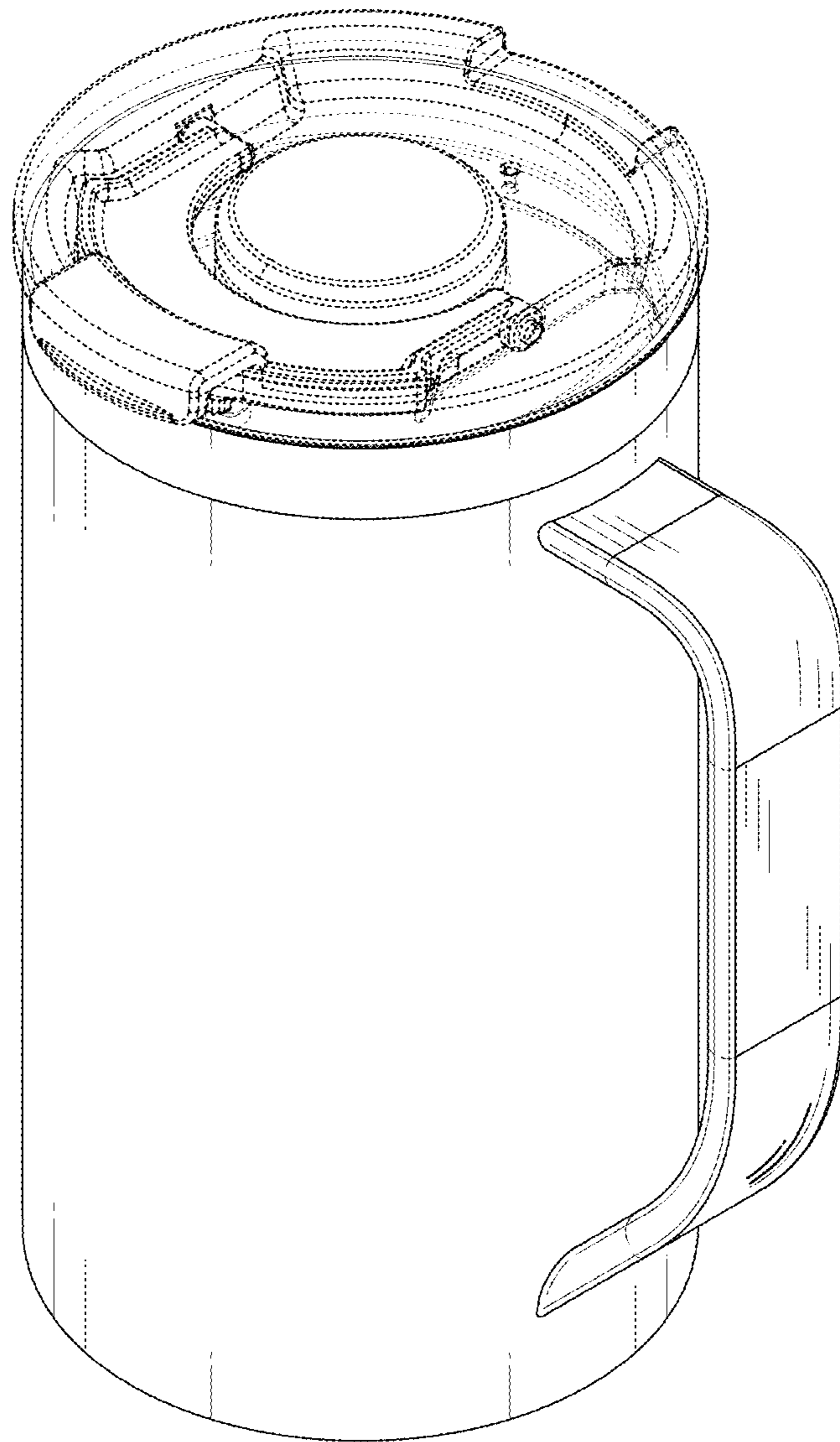


FIG. 1

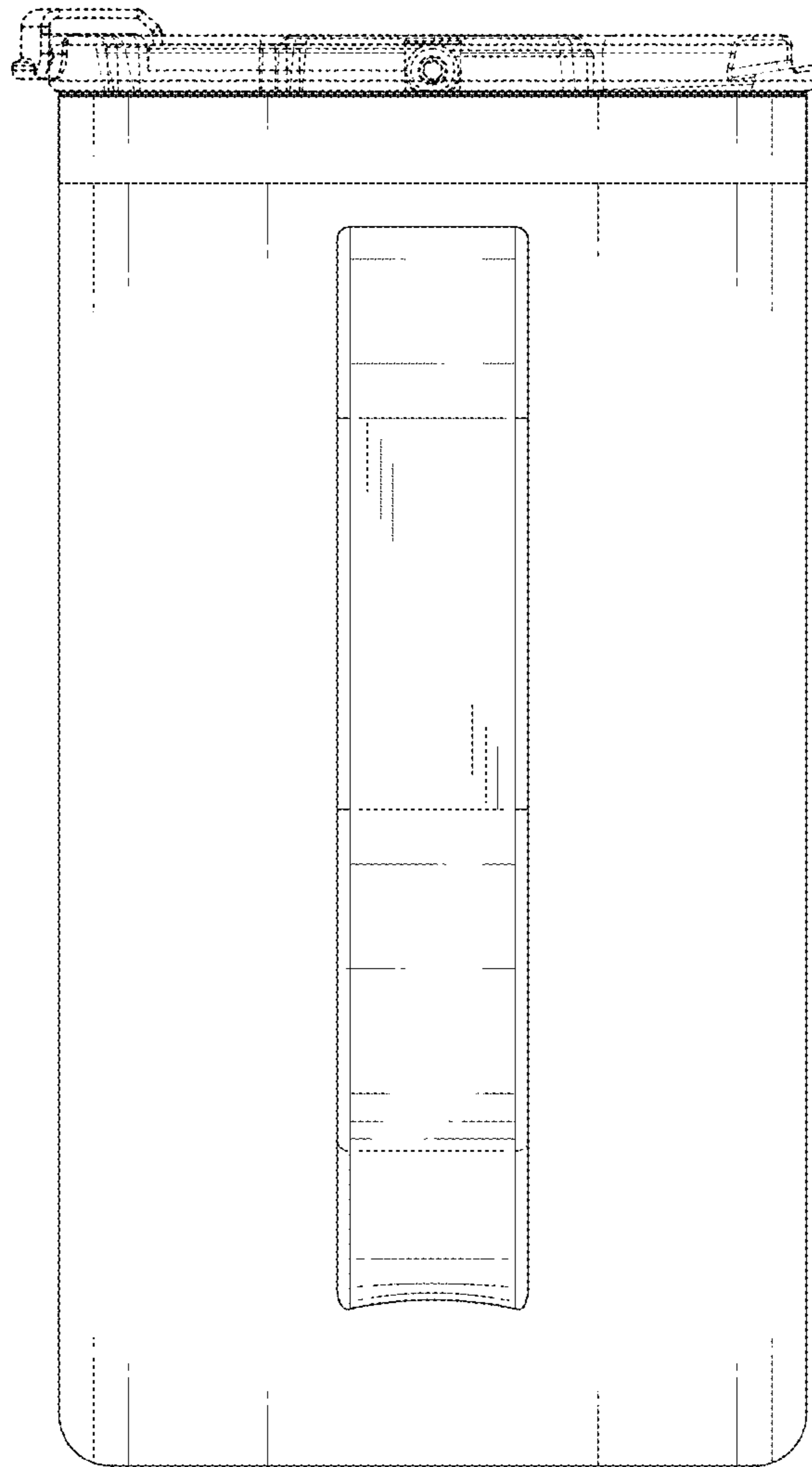


FIG. 2

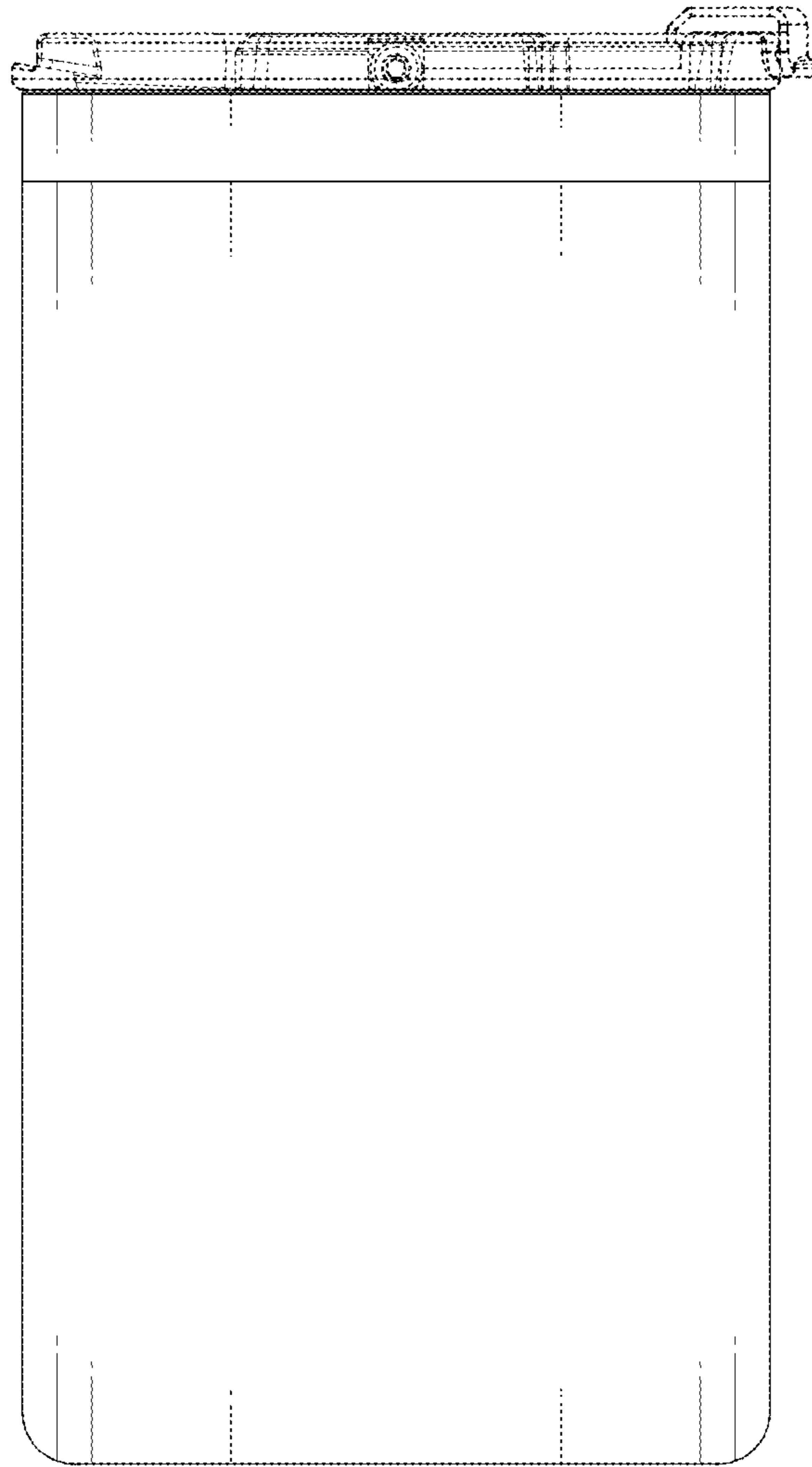


FIG. 3

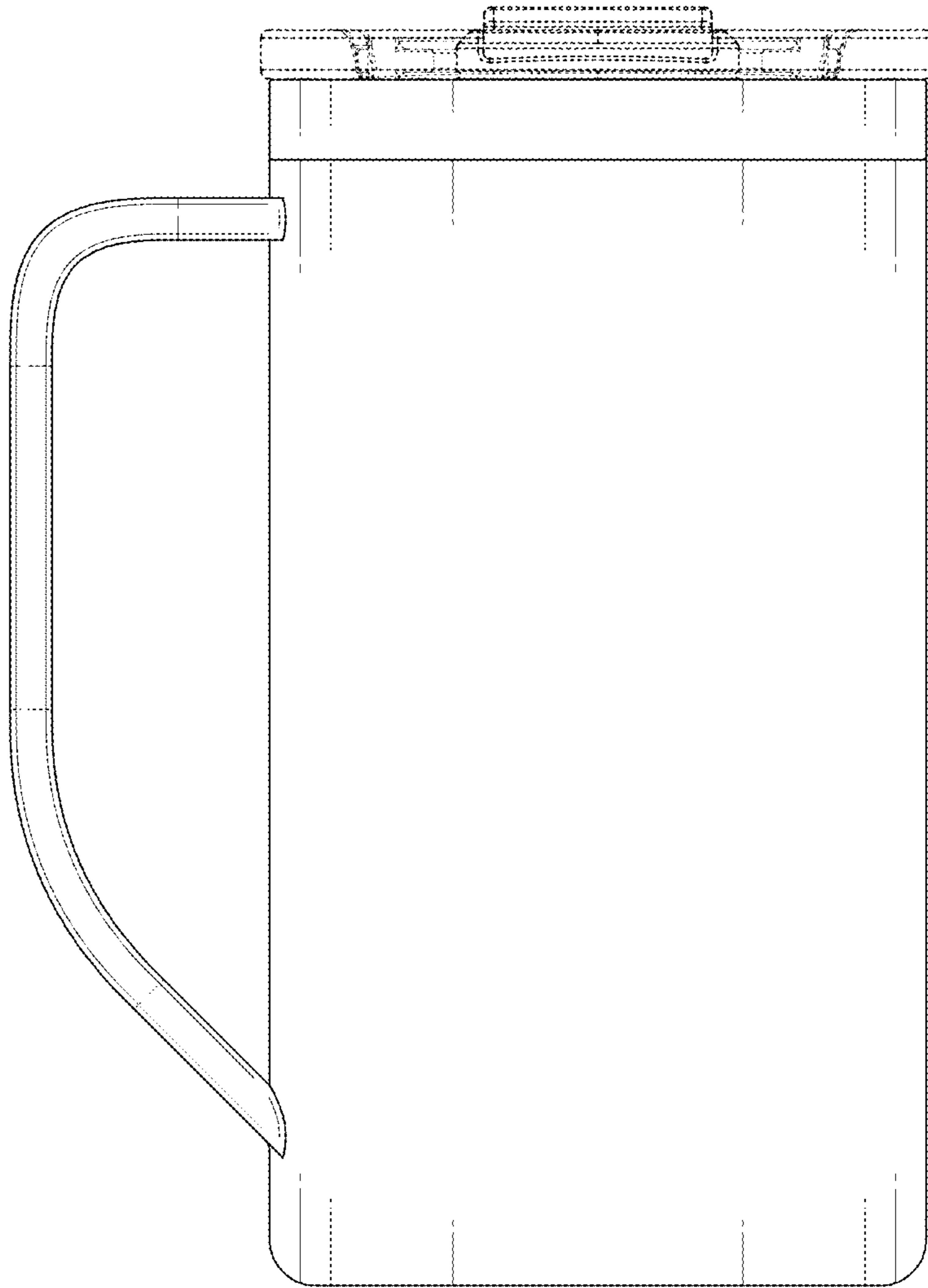


FIG. 4

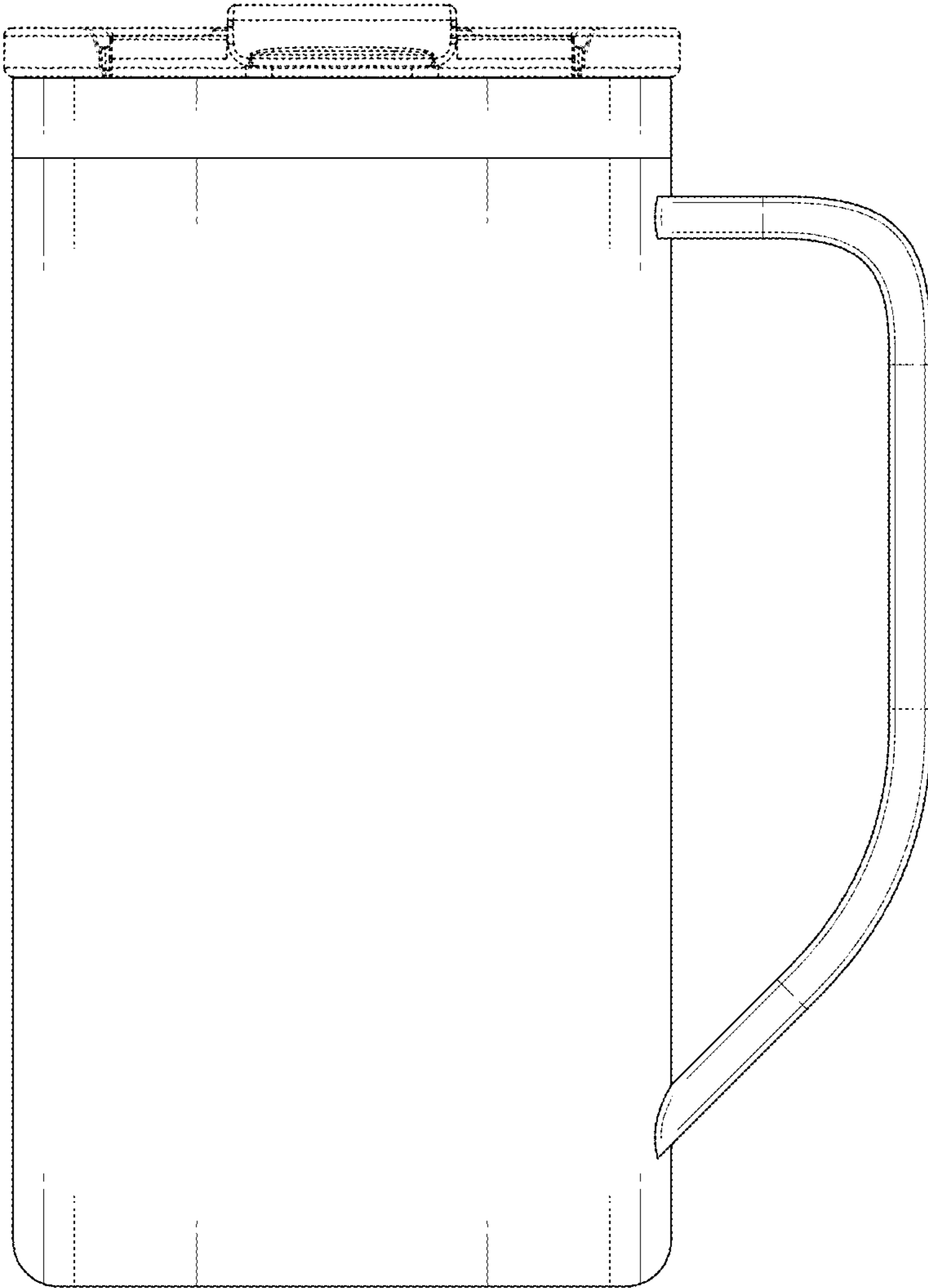


FIG. 5

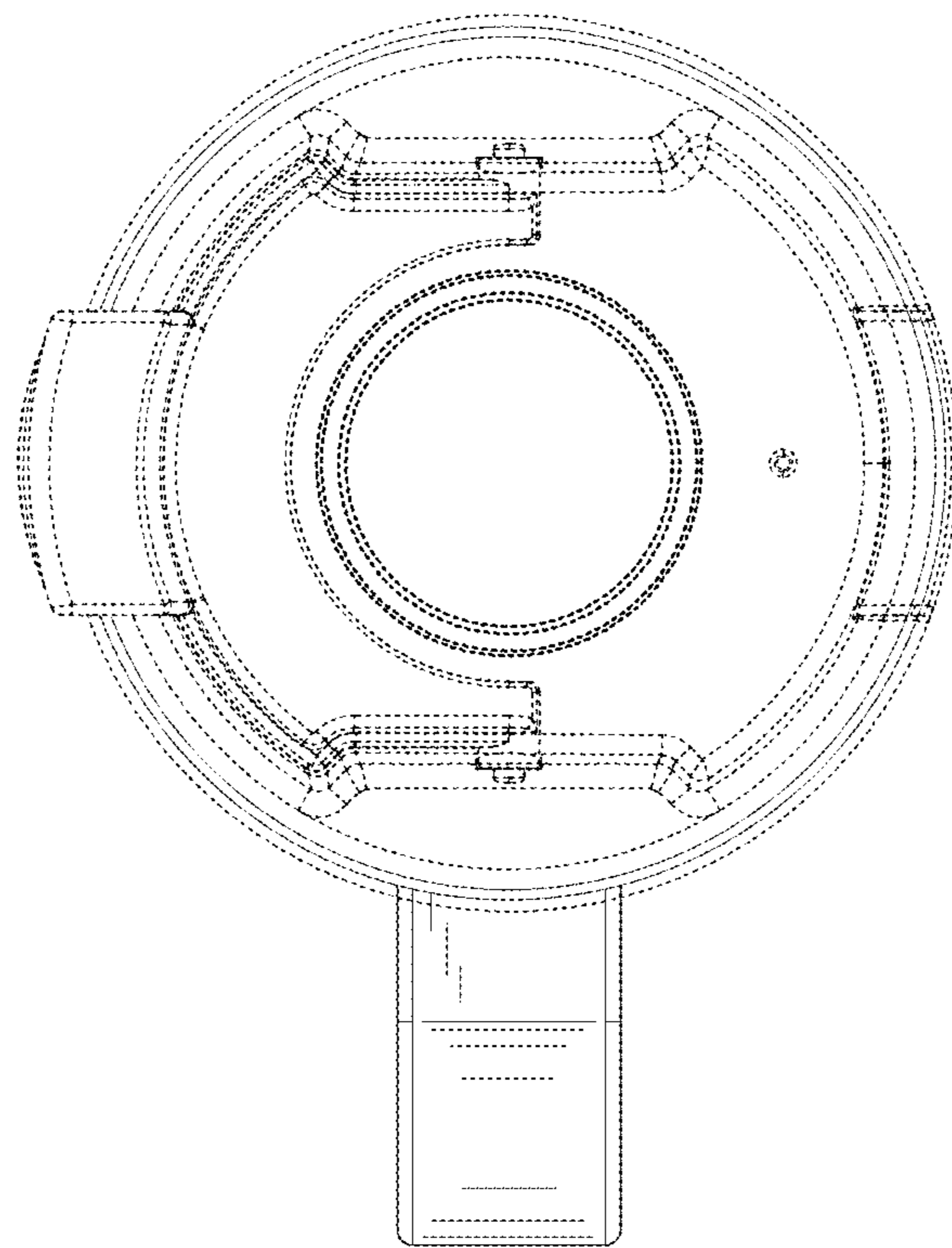


FIG. 6

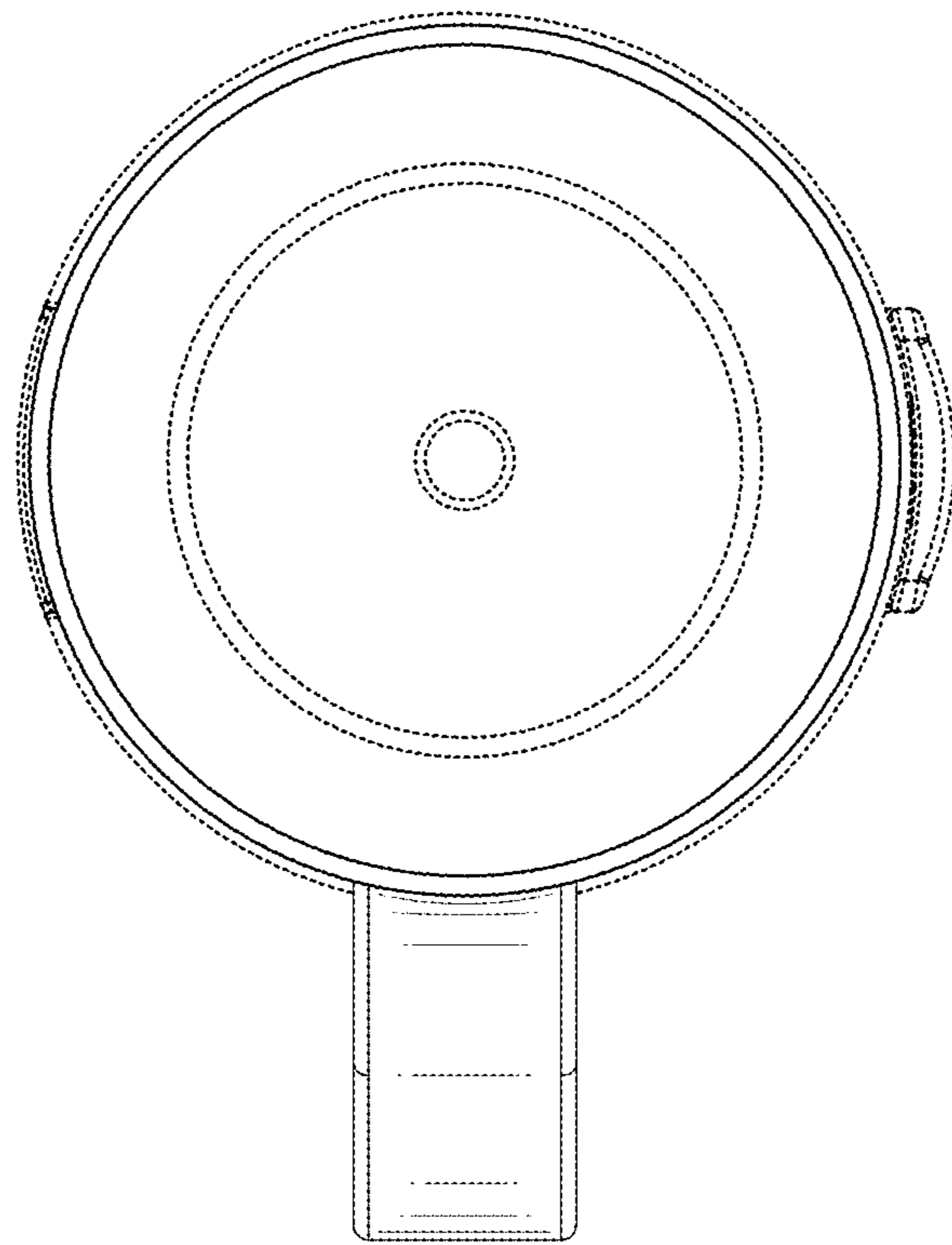


FIG. 7