



US00D954506S

(12) **United States Design Patent** (10) **Patent No.:** **US D954,506 S**  
**Loudenslager et al.** (45) **Date of Patent:** **\*\* Jun. 14, 2022**

(54) **BAG**

FOREIGN PATENT DOCUMENTS

(71) Applicant: **YETI Coolers, LLC**, Austin, TX (US)

CA 179459 A 9/1917  
CA 170760 7/2017

(72) Inventors: **John Loudenslager**, Austin, TX (US);  
**Alex Baires**, Austin, TX (US); **Derek G. Sullivan**, Austin, TX (US); **Kyle Edward Rogers**, Austin, TX (US)

(Continued)

(73) Assignee: **YETI Coolers, LLC**, Austin, TX (US)

OTHER PUBLICATIONS

(\*\*) Term: **15 Years**

Amazon, "Insulated Reusable Eco Snack bag . . .", First on sale Apr. 8, 2020. (<https://www.amazon.com/Insulated-Reusable-Sandwich-Insulin-Cooling/dp/B086W5DFGL/?th=1>) (Year: 2020).\*

(Continued)

(21) Appl. No.: **29/814,082**

*Primary Examiner* — April Rivas

(22) Filed: **Nov. 3, 2021**

(74) *Attorney, Agent, or Firm* — Banner & Witcoff, Ltd.

**Related U.S. Application Data**

(63) Continuation of application No. 29/767,506, filed on Jan. 22, 2021, now Pat. No. Des. 935,770, which is a continuation of application No. 29/682,956, filed on Mar. 8, 2019, now Pat. No. Des. 909,063.

(57) **CLAIM**

The ornamental design for a bag, as shown and described.

(51) **LOC (13) Cl.** ..... **07-01**

**DESCRIPTION**

(52) **U.S. Cl.**

USPC ..... **D7/607**; D3/299

(58) **Field of Classification Search**

USPC ..... D3/226, 273, 276, 285, 286, 289, 301,  
D3/217, 290, 231, 204, 299; D7/605,  
D7/607

CPC ..... A45C 2013/026; A45C 11/00; A45C  
2003/008; A45F 3/04; B65D 81/2023

See application file for complete search history.

FIG. 1 is a top, front, right perspective view of a bag showing our new design;  
FIG. 2 is a top, front, right perspective view of an alternative claimed configuration of a bag thereof;  
FIG. 3 is a top, front, right perspective view of an alternative claimed configuration of a bag thereof;  
FIG. 4 is a front view thereof;  
FIG. 5 is a rear view thereof;  
FIG. 6 is a left side view thereof;  
FIG. 7 is a right side view thereof;  
FIG. 8 is a top view thereof; and,  
FIG. 9 is a bottom view thereof.

The broken lines illustrated on the claimed shaded surfaces of the bag represent stitching and form part of the claimed design. The remaining broken lines illustrate portions of the bag and form no part of the claimed design.

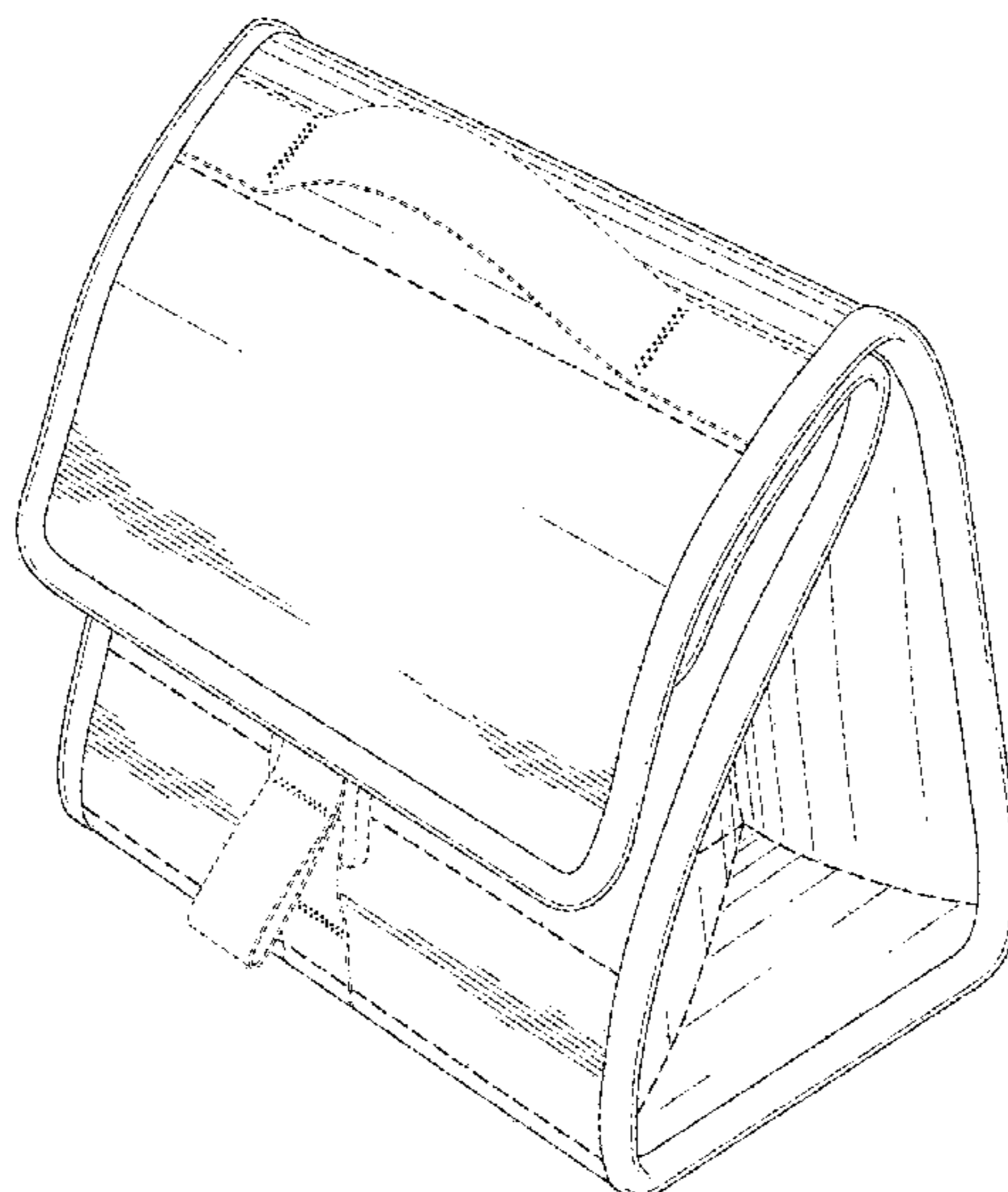
(56) **References Cited**

U.S. PATENT DOCUMENTS

1,631,371 A 6/1927 Greubel  
1,671,385 A 5/1928 Strayer  
1,712,109 A 5/1929 Hammer  
1,809,696 A 6/1931 Heilweil  
1,899,696 A 2/1933 Freedman et al.

(Continued)

**1 Claim, 9 Drawing Sheets**



(56)

References Cited

U.S. PATENT DOCUMENTS

1,942,246 A	1/1934	Johaneson	6,223,551 B1	5/2001	Mitchell
1,986,057 A	1/1935	Hackworth	6,224,258 B1	5/2001	Dodson
2,304,528 A	12/1942	Bafia	6,226,842 B1	5/2001	Wong
2,496,296 A	2/1950	Lobl	6,301,754 B1	10/2001	Grunberger et al.
2,513,575 A	7/1950	Lombard	6,336,340 B1	1/2002	Laby
2,522,480 A	9/1950	Davis	6,361,210 B2	3/2002	Denko
2,627,097 A	2/1953	Ellis	6,397,560 B1	6/2002	Weder
2,672,232 A	3/1954	Kessell, Jr.	D460,898 S	7/2002	Wang
2,784,757 A	3/1957	Requa	6,412,116 B1	7/2002	Clark
3,102,314 A	9/1963	Alderfer	6,422,032 B1	7/2002	Greene
3,111,735 A	11/1963	Ellis	6,427,475 B1	8/2002	DeFelice et al.
3,161,932 A	12/1964	Russell	6,434,801 B2	8/2002	Grunberger
3,455,359 A	7/1969	Schweizer	D463,276 S	9/2002	Piscopo et al.
3,716,091 A	2/1973	Gaines	6,468,624 B1	10/2002	Fujisawa et al.
3,749,301 A	7/1973	Peckar	6,470,705 B2	10/2002	Bride-Flynn
3,827,019 A	7/1974	Serbu	6,505,385 B2	1/2003	Grunberger
3,831,986 A	8/1974	Kobayashi	D472,773 S	4/2003	Samartgis
3,998,304 A	12/1976	Edgerton, Jr. et al.	D478,782 S	8/2003	Li
4,033,013 A	7/1977	Peterson	6,601,403 B1	8/2003	Roth et al.
D256,097 S	7/1980	Amberg	D482,529 S	11/2003	Hardigg et al.
4,213,549 A	7/1980	Hibbard	6,646,864 B2	11/2003	Richardson
4,258,493 A	3/1981	Kettlestrings et al.	6,659,274 B2	12/2003	Enners
4,399,595 A	8/1983	Yoon et al.	D485,069 S	1/2004	Parker
4,408,643 A	10/1983	Laske et al.	6,698,608 B2	3/2004	Parker et al.
4,421,150 A	12/1983	Masters	6,722,784 B2	4/2004	Breil, Jr.
4,489,770 A	12/1984	Reich, II	6,742,354 B1	6/2004	Watts
D284,254 S	6/1986	Carlson	6,749,551 B2	6/2004	Metzler et al.
4,679,242 A	7/1987	Brockhaus	6,779,199 B1	8/2004	O'Dea et al.
4,716,947 A	1/1988	Haddock	6,821,018 B1	11/2004	Denko
4,738,390 A	4/1988	Brennan	6,915,934 B2	7/2005	Hassett
4,810,102 A	3/1989	Norton	6,929,125 B1	8/2005	Seamans
D304,008 S	10/1989	Hornung	6,955,381 B2	10/2005	Parker et al.
4,905,857 A	3/1990	Her	D513,123 S	12/2005	Richardson et al.
4,911,962 A	3/1990	Baumann et al.	D513,451 S	1/2006	Richardson et al.
4,988,216 A	1/1991	Lyman	D514,808 S	2/2006	Morine et al.
5,010,988 A	4/1991	Brown	D516,309 S	3/2006	Richardson et al.
5,030,013 A	7/1991	Kramer	D516,807 S	3/2006	Richardson et al.
5,148,580 A	9/1992	Dyckow	D516,870 S	3/2006	Martinez et al.
5,181,555 A	1/1993	Chruniak	7,017,776 B1	3/2006	Hupp
5,196,818 A	3/1993	Anderson	7,033,657 B2	4/2006	Martin
5,216,900 A	6/1993	Jones	D523,242 S	6/2006	Hardigg et al.
5,226,540 A	7/1993	Bradbury	D527,226 S	8/2006	Maldonado
5,237,838 A	8/1993	Merritt-Munson	D529,344 S	10/2006	Maldonado
5,244,136 A	9/1993	Collaso	7,187,261 B2	3/2007	Cassar
D343,288 S	1/1994	Chao	D543,700 S	6/2007	Parker et al.
D350,689 S	9/1994	Chao	D550,210 S	9/2007	Polany et al.
5,370,622 A	12/1994	Livingston et al.	7,299,652 B2	11/2007	Gagnon
5,372,429 A	12/1994	Beaver, Jr. et al.	7,301,303 B1	11/2007	Hulden
5,505,305 A	4/1996	Scholz et al.	D573,844 S	7/2008	Hanson et al.
D372,173 S	7/1996	Fukuda et al.	7,400,917 B2	7/2008	Wood et al.
5,540,366 A	7/1996	Coomber	D577,261 S	9/2008	Wang
5,604,960 A	2/1997	Good	D578,409 S	10/2008	Clark
D381,506 S	7/1997	Roeder	7,496,195 B2	2/2009	Kramer
5,645,205 A	7/1997	Kennedy	7,513,633 B2	4/2009	Ermeti
D383,360 S *	9/1997	Melk ..... D3/276	D592,910 S	5/2009	Hanson et al.
D386,611 S	11/1997	Sheu	D598,647 S	8/2009	Kertesz et al.
5,682,653 A	11/1997	Berglof et al.	D601,383 S	10/2009	Shah
5,706,940 A	1/1998	Amarello	D602,740 S	10/2009	Urquiola
5,746,638 A	5/1998	Shiraishi	D607,701 S	1/2010	Pedrazzi et al.
5,797,683 A	8/1998	Gunzi et al.	D609,005 S	2/2010	Dolce et al.
5,816,709 A	10/1998	Demus	D609,056 S	2/2010	Pierce
5,844,772 A	12/1998	Lee et al.	D609,470 S	2/2010	Guyon et al.
D406,730 S *	3/1999	Freese ..... D7/607	7,665,895 B2	2/2010	Takita et al.
5,875,795 A	3/1999	Bouix	D617,149 S	6/2010	Olivari
D411,416 S *	6/1999	Freese ..... D7/607	7,730,739 B2	6/2010	Fuchs
D411,446 S	6/1999	Cautereels	D620,249 S	7/2010	Yu
D412,267 S	7/1999	Anderson	D620,376 S	7/2010	Peysen et al.
D421,371 S *	3/2000	Fair ..... D7/607	D620,707 S	8/2010	Mogil
6,067,813 A	5/2000	Smith	D623,406 S	9/2010	Yu
6,068,119 A	5/2000	Derr et al.	D623,853 S	9/2010	Yu
6,073,789 A	6/2000	Lundblade	7,793,782 B2	9/2010	Chuang
6,092,707 A	7/2000	Bowes, Jr.	D627,199 S	11/2010	Pruchnicki
6,112,959 A	9/2000	Townsend	D630,013 S	1/2011	Yu
6,149,305 A	11/2000	Fier	D630,939 S	1/2011	Peters et al.
6,179,677 B1	1/2001	Dornier	D632,074 S	2/2011	Chan et al.
			7,896,199 B2	3/2011	Kaczmarek
			D644,024 S	8/2011	Jobert
			8,005,251 B2	8/2011	Chan
			D648,935 S	11/2011	Wickrama



(56)

References Cited

U.S. PATENT DOCUMENTS

D653,915 S 2/2012 George  
 D664,425 S 7/2012 Krupa  
 8,209,995 B2 7/2012 Kieling et al.  
 8,223,997 B2 7/2012 Wilson, II et al.  
 D668,119 S 10/2012 Everson  
 D670,906 S 11/2012 Du  
 D677,511 S 3/2013 Gray  
 8,399,764 B2 3/2013 Klosky  
 8,403,975 B2 3/2013 Hadas  
 8,424,680 B2 4/2013 Fair et al.  
 8,434,617 B1 5/2013 Wang  
 D688,449 S 8/2013 Schinasi  
 8,550,714 B2 10/2013 Ben-Shushan et al.  
 D693,573 S 11/2013 Holefleisch  
 8,573,002 B2 11/2013 Ledoux et al.  
 D694,521 S 12/2013 Robinson et al.  
 D695,015 S 12/2013 Robinson et al.  
 D695,568 S 12/2013 Hayes  
 8,607,536 B2 12/2013 Bailey et al.  
 D701,456 S 3/2014 Farley et al.  
 D703,493 S 4/2014 de Ste. Croix et al.  
 D708,848 S 7/2014 Zwetzig  
 D709,333 S 7/2014 Stamatopoulos  
 D709,334 S 7/2014 Stamatopoulos  
 8,770,402 B2 7/2014 Bergreen et al.  
 D716,551 S 11/2014 Taylor  
 D718,529 S 12/2014 Wang  
 D727,107 S 4/2015 Parodi, Jr.  
 D734,642 S \* 7/2015 Vasbinder ..... D7/605  
 D734,643 S 7/2015 Boroski  
 D734,761 S 7/2015 Ballou et al.  
 D736,569 S 8/2015 Bronwasser et al.  
 9,122,941 B2 9/2015 Hoobler et al.  
 9,139,352 B2 9/2015 Seiders et al.  
 9,167,876 B2 10/2015 Yamaguchi et al.  
 D745,272 S 12/2015 Slimane  
 9,220,328 B2 12/2015 Magness  
 9,264,089 B2 2/2016 Tages  
 D751,814 S 3/2016 Louboutin  
 9,290,313 B2 3/2016 De Lesseux et al.  
 9,307,315 B2 4/2016 McKeough  
 9,334,087 B2 5/2016 Cho et al.  
 D758,805 S 6/2016 Myoung  
 9,392,855 B2 7/2016 Taylor  
 D763,569 S 8/2016 Tal  
 D763,629 S 8/2016 Swartz et al.  
 D764,791 S 8/2016 Patel  
 9,444,506 B2 9/2016 Lai et al.  
 D780,524 S 3/2017 Jacobsen  
 D787,821 S 5/2017 Liu  
 D811,738 S 3/2018 Dumas  
 D811,823 S \* 3/2018 Kandel ..... D7/607  
 D824,664 S 8/2018 Munie  
 D825,913 S 8/2018 Barlier  
 D827,299 S 9/2018 Vickery  
 D828,112 S 9/2018 Furneaux et al.  
 D835,949 S 12/2018 Triska et al.  
 10,229,395 B2 3/2019 Smith et al.  
 D847,499 S 5/2019 Dumas  
 D850,100 S 6/2019 Oviedo-Polanco  
 10,373,128 B2 8/2019 Smith et al.  
 D861,338 S 10/2019 Seiders et al.  
 D883,047 S \* 5/2020 Kou ..... D7/607  
 D909,063 S 2/2021 Loudenslager et al.  
 D935,770 S \* 11/2021 Loudenslager ..... D3/290  
 2001/0051378 A1 12/2001 Radmacher et al.  
 2002/0012480 A1 1/2002 Konno  
 2004/0165332 A1 8/2004 Beson  
 2004/0173484 A1 9/2004 Bates et al.  
 2004/0183313 A1 9/2004 Sherman et al.  
 2004/0237266 A1 12/2004 Wang  
 2004/0238303 A1 12/2004 Hafif  
 2005/0097711 A1 5/2005 Halstead  
 2005/0116003 A1 6/2005 Butler et al.  
 2005/0145302 A1 7/2005 Mutterer et al.

2005/0230465 A1 10/2005 Metzler et al.  
 2005/0262871 A1 12/2005 Bailey-Weston  
 2006/0003709 A1 1/2006 Wood  
 2006/0006969 A1 1/2006 Cassar  
 2006/0016841 A1 1/2006 Shurm  
 2006/0072857 A1 4/2006 Revels  
 2007/0051785 A1 3/2007 Roessiger  
 2007/0215663 A1 9/2007 Chongson et al.  
 2007/0232109 A1 10/2007 Parker et al.  
 2007/0261977 A1 11/2007 Sakai  
 2007/0261978 A1 11/2007 Sanderson  
 2008/0037907 A1 2/2008 Suskind  
 2008/0077289 A1 3/2008 Fujishima  
 2008/0179364 A1 7/2008 Thatcher  
 2008/0272872 A1 11/2008 Fiedler  
 2009/0078731 A1 3/2009 Yi  
 2009/0114557 A1 5/2009 Nelson  
 2009/0184143 A1 7/2009 Witt et al.  
 2009/0208146 A1 8/2009 Kirby  
 2010/0025442 A1 2/2010 Shurm  
 2010/0040307 A1 2/2010 Lien  
 2010/0140861 A1 6/2010 Kubota et al.  
 2010/0181220 A1 7/2010 Dasara  
 2010/0298025 A1 11/2010 Spence  
 2010/0310194 A1 12/2010 Archambault  
 2012/0096669 A1 4/2012 Treacy  
 2012/0137637 A1 6/2012 Gillis  
 2012/0216374 A1 8/2012 Manuello  
 2013/0077897 A1 3/2013 Li  
 2013/0221048 A1 8/2013 Revels et al.  
 2013/0230260 A1 9/2013 Maynard et al.  
 2013/0242481 A1 9/2013 Kim et al.  
 2013/0243354 A1 9/2013 Lytle  
 2014/0066144 A1 3/2014 Hong  
 2014/0138378 A1 5/2014 Lequeux  
 2014/0138384 A1 5/2014 O'Brien  
 2014/0158558 A1 6/2014 Ye  
 2014/0209011 A1 7/2014 Byun  
 2014/0254956 A1 9/2014 Buell, III  
 2014/0262658 A1 9/2014 Wegener  
 2014/0360892 A1 12/2014 Lin  
 2015/0037799 A1 2/2015 Takagi  
 2015/0076144 A1 3/2015 Chalifoux  
 2015/0225164 A1 8/2015 Seiders et al.  
 2015/0239631 A1 8/2015 Kinskey  
 2015/0305402 A1 10/2015 Bourgoin  
 2016/0021997 A1 1/2016 Gonzalez  
 2016/0023808 A1 1/2016 Traverso et al.  
 2016/0058142 A1 3/2016 Buynar  
 2016/0083147 A1 3/2016 Mauro  
 2016/0130040 A1 5/2016 Yeh  
 2016/0198823 A1 7/2016 Bergreen et al.  
 2016/0221722 A1 8/2016 Burke et al.  
 2016/0235174 A1 8/2016 Lenci et al.  
 2016/0269517 A1 9/2016 Alexander  
 2016/0379184 A1 12/2016 Smith et al.  
 2016/0379185 A1 12/2016 Smith et al.  
 2017/0036844 A1 2/2017 Seiders et al.  
 2017/0066559 A1 3/2017 Kim et al.  
 2017/0280937 A1 10/2017 Mogil et al.  
 2018/0044094 A1 2/2018 Seiders et al.  
 2018/0252458 A1 9/2018 Furneaux et al.  
 2019/0279170 A1 9/2019 Smith et al.  
 2019/0344951 A1 11/2019 Rogers et al.

FOREIGN PATENT DOCUMENTS

CH 686058 A5 12/1995  
 CN 2499356 Y 7/2002  
 CN 3466138 8/2005  
 CN 101168090 A 4/2008  
 CN 201104571 Y 8/2008  
 CN 201153601 Y 11/2008  
 CN 101313791 A 12/2008  
 CN 300906331 4/2009  
 CN 101466617 A 6/2009  
 CN 201274836 Y 7/2009  
 CN 301000008 9/2009  
 CN 301000009 9/2009



(56)

## References Cited

FOREIGN PATENT DOCUMENTS						
CN	201393583	Y	2/2010	EM	005511102-0002	8/2018
CN	301808202		1/2012	EM	005511102-0003	8/2018
CN	301985365		7/2012	EM	005511102-0004	8/2018
CN	302208071		12/2012	EM	005618204-0001	8/2018
CN	302623610		11/2013	EM	005887585-0006	1/2019
CN	103584443	A	2/2014	EM	006501607-0001	5/2019
CN	203435847	U	2/2014	EP	0922399	A2 6/1999
CN	302860668		7/2014	EP	1683736	A2 7/2006
CN	103237473	B	12/2015	EP	1864916	A1 12/2007
CN	303514632		12/2015	EP	2571391	A2 3/2013
CN	105564794	A	5/2016	FR	20105616-001	4/2011
CN	205512895	U	8/2016	GB	2045117	6/1995
CN	205512896	U	8/2016	GB	4012617	10/2009
CN	205568112	U	9/2016	JP	S4971312	U 6/1974
CN	106108308	A	11/2016	JP	S49112604	U 9/1974
CN	304011530		1/2017	JP	S49123217	A 11/1974
CN	106858960	A	6/2017	JP	S53161363	U 12/1978
CN	304291753		9/2017	JP	S58039009	A 3/1983
CN	304338166		11/2017	JP	S59070508	U 5/1984
CN	304351331		11/2017	JP	S6076076	U 5/1985
CN	304351332		11/2017	JP	S61073224	U 5/1986
CN	304361367		11/2017	JP	S62058606	A 3/1987
CN	304383056		12/2017	JP	S62134836	U 8/1987
CN	304423326		12/2017	JP	S63068865	U 5/1988
CN	304457891		1/2018	JP	S63111442	U 7/1988
CN	304457892		1/2018	JP	H01126956	U 8/1989
CN	304457893		1/2018	JP	1992074010	U 6/1992
CN	304555914		3/2018	JP	H0556809	A 3/1993
CN	207186216	U	4/2018	JP	H06021210	U 3/1994
CN	304668083		6/2018	JP	3003213	U 10/1994
CN	304713490		7/2018	JP	H06076076	U 10/1994
CN	304719918		7/2018	JP	H0679320	U 11/1994
CN	304781354		8/2018	JP	H08502427	A 3/1996
CN	304781362		8/2018	JP	H9328149	A 12/1997
CN	304782359		8/2018	JP	H10127329	A 5/1998
CN	304785773		8/2018	JP	3051283	U 8/1998
CN	304785791	S	8/2018	JP	3051385	U 8/1998
CN	304790835		8/2018	JP	H1126956	A 1/1999
CN	304823679		9/2018	JP	H11147572	A 6/1999
CN	304854892		10/2018	JP	3059196	U 7/1999
CN	304877475		11/2018	JP	H11269713	A 10/1999
CN	304890011		11/2018	JP	3160109	B2 4/2001
CN	304915313		11/2018	JP	2001267164	A 9/2001
CN	304948871		12/2018	JP	2003071978	A 3/2003
DE	60104156	T2	8/2005	JP	2004000355	A 1/2004
DE	202009000499	U1	3/2009	JP	3515781	B2 4/2004
EM	000164199-0001		7/2004	JP	2005335769	A 12/2005
EM	000285028-0001		6/2005	JP	2005343482	A 12/2005
EM	000434253-0001		1/2006	JP	2006123987	A 5/2006
EM	000596333-0007		10/2006	JP	4074010	B2 4/2008
EM	001504127-0001		4/2009	JP	D1355521	4/2009
EM	001519406-0001		6/2009	JP	3154150	U 10/2009
EM	001133383-0002		1/2010	JP	D1376358	12/2009
EM	001900705-0002		9/2011	JP	2010030644	A 2/2010
EM	001922204-0001		11/2011	JP	2020512281	A 4/2010
EM	002047233-0001		5/2012	JP	D2010-8653	12/2010
EM	002225706-0001		5/2013	JP	2011121631	A 6/2011
EM	002294322-0002		8/2013	JP	D2012-551	8/2012
EM	001294060-0002		10/2013	JP	D1487395	1/2014
EM	001294060-0003		10/2013	JP	D1500514	6/2014
EM	002540948-0003		9/2014	JP	D1619280	12/2018
EM	002541185-0001		9/2014	KR	20020046244	A 6/2002
EM	002541185-0003		9/2014	KR	200341520	Y1 2/2004
EM	002515247-0001		10/2014	KR	20070089473	A 8/2007
EM	002515247-0002		10/2014	KR	3020070006269	12/2007
EM	002550715-0002		10/2014	KR	3020070006271	2/2008
EM	002630814-0002		2/2015	KR	3020100039256	4/2012
EM	002676536-0001		6/2015	KR	3020120016755	9/2012
EM	002838573-0001		11/2015	KR	3020140014014	11/2014
EM	003117324-0009		5/2016	TR	652921-0001	7/2013
EM	003122464-0001		5/2016	WO	9408541	A1 4/1994
EM	004109049-0001		7/2017	WO	D032527-029	5/1995
EM	00530559-0001		7/2018	WO	D038554-029	2/1997
EM	005303559-0003		7/2018	WO	0108527	A1 2/2001
EM	005511102-0001		8/2018	WO	2007140916	A3 2/2008
				WO	08025905	A2 3/2008
				WO	D082059-001	11/2013
				WO	D091354-003	3/2016
				WO	2017136754	A1 8/2017

(56)

**References Cited**

## FOREIGN PATENT DOCUMENTS

WO	D099344-004	2/2018
WO	D099344-034	2/2018
WO	D099990-006	3/2018
WO	2018165426 A1	9/2018
WO	D103345-001	4/2019
WO	2019135922 A1	7/2019

## OTHER PUBLICATIONS

Amazon, “Ensign Peak Basic Lunch Sack . . .”, First on sale Apr. 12, 2016. (<https://www.amazon.com/Ensign-Peak-Basic-Lunch-Black/dp/B01E64H21A/?th=1>) (Year: 2016).\*

Amazon, “AKASO Packable Insulated Lunch Bag . . .”, First on sale Nov. 9, 2021. (<https://www.amazon.com/dp/B09K49Q67N/?th=1>) (Year: 2021).\*

Overstock, “Wildkin Zebra Lunch Bag”, First reviewed Apr. 23, 2016. (<https://www.overstock.com/Luggage-Bags/Wildkin-Zebra-Lunch-Bag/9765841/product.html?option=14691201>) (Year: 2016).\*

Jun. 19, 2018—(WO) ISR & WO—App. No. PCT/US18/021546.

Feb. 27, 2015—(JP) Office Action—App. No. 2013-510725.

Feb. 27, 2015—(CN) CSR—App. No. CN103237473B.

Jan. 15, 2015—(CN) Office Action—App. No. 201180031291.5.

Jun. 6, 2020—(WO) ISR—App. No. PCT/US20/021513.

Apr. 30, 2020—(WO) International Search Report & Written Opinion—PCT/US20/021519.

Oct. 30, 2020—(CN) Office Action—App. No. 201880015578.0.

Oct. 20, 2020—(IP) Office Action—App. No. 2019548313.

Jan. 29, 2021—(EP) Supplementary Search Report—App. No. 18763122.

May 6, 2019—(WO) International Search Report and Written Opinion—App. No. PCT/US2018/066679.

Jun. 9, 2021—(CN) Second Office Action—App. No. 201880015578.0.

B&H, “Clik Elite Schulter Shoulder Bag”, First reviewed Aug. 2, 2012. ([https://www.bhphotovideo.com/c/product/828772-REG/Clik\\_Elite\\_CE733GR\\_Schulter\\_Shoulder\\_Bag\\_Gray.html/reviews](https://www.bhphotovideo.com/c/product/828772-REG/Clik_Elite_CE733GR_Schulter_Shoulder_Bag_Gray.html/reviews))(Year:2012).

Amazon, “F40C4TMP Packable Lunch Bag Work Lunch Box for Men . . .”, First on sale Aug. 4, 2020. (<https://www.amazon.com/dp/B08F7S9JTT/>)(Year:2020).

Amazon, “AKASO 6L Small Collapsible Cooler Bag for 12 Cans . . .”, First on sale Mar. 19, 2021. (<https://www.amazon.com/AKASO-Collapsible-Leakproof-Waterproof-Insulated/dp/B08ZHDTTQD/>)(Year:2021).

Oct. 1, 2021—(JP) Decision of Rejection—Appl No. 2019-548313.

Corr from WIPO—PCT: Search Report/Written Opinion (MAIL).

ISR & Written Opinion.

Dec. 7, 2021—(CN) Third Office Action—App. No. 201880015578.

0.

\* cited by examiner



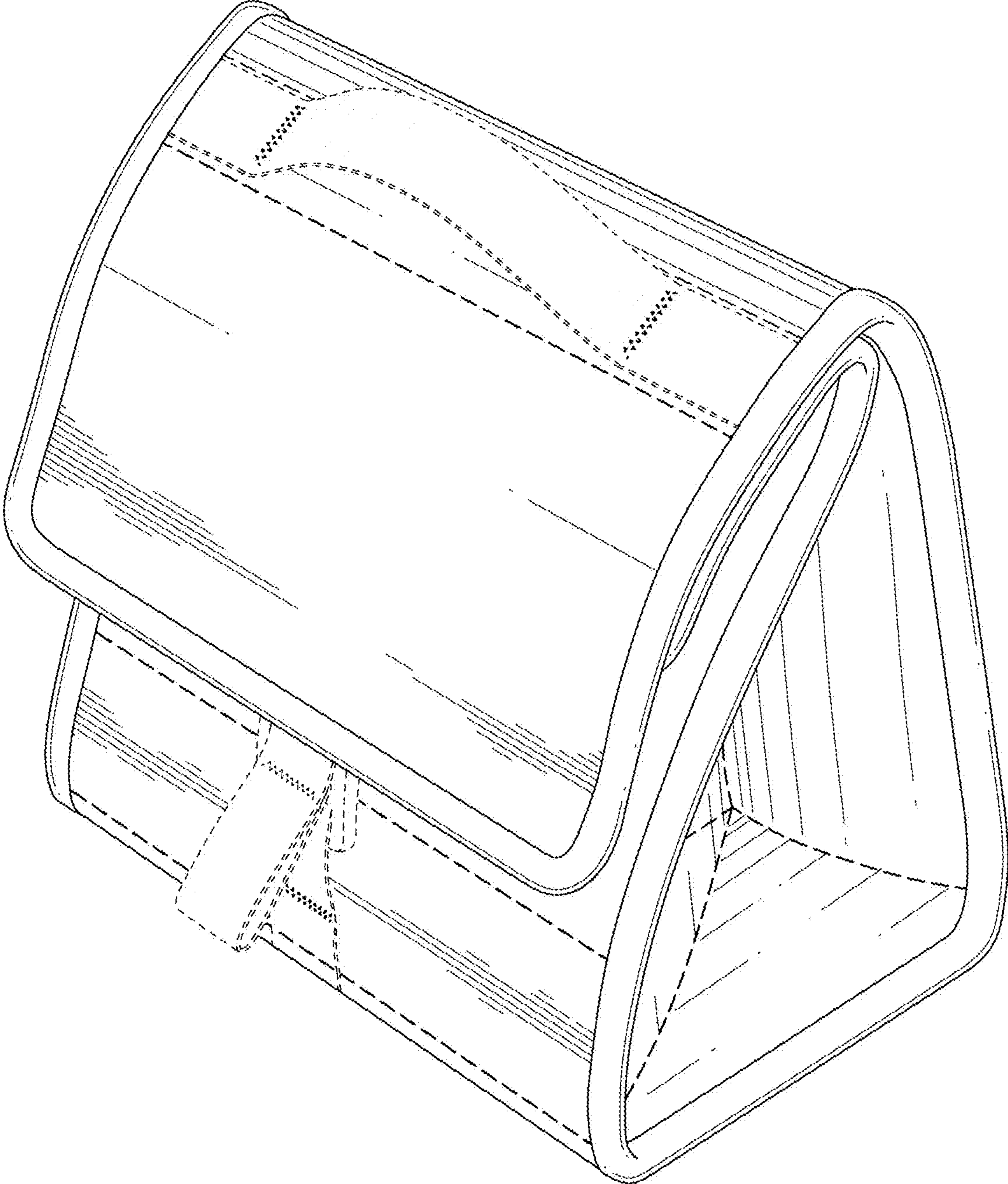


FIG. 1

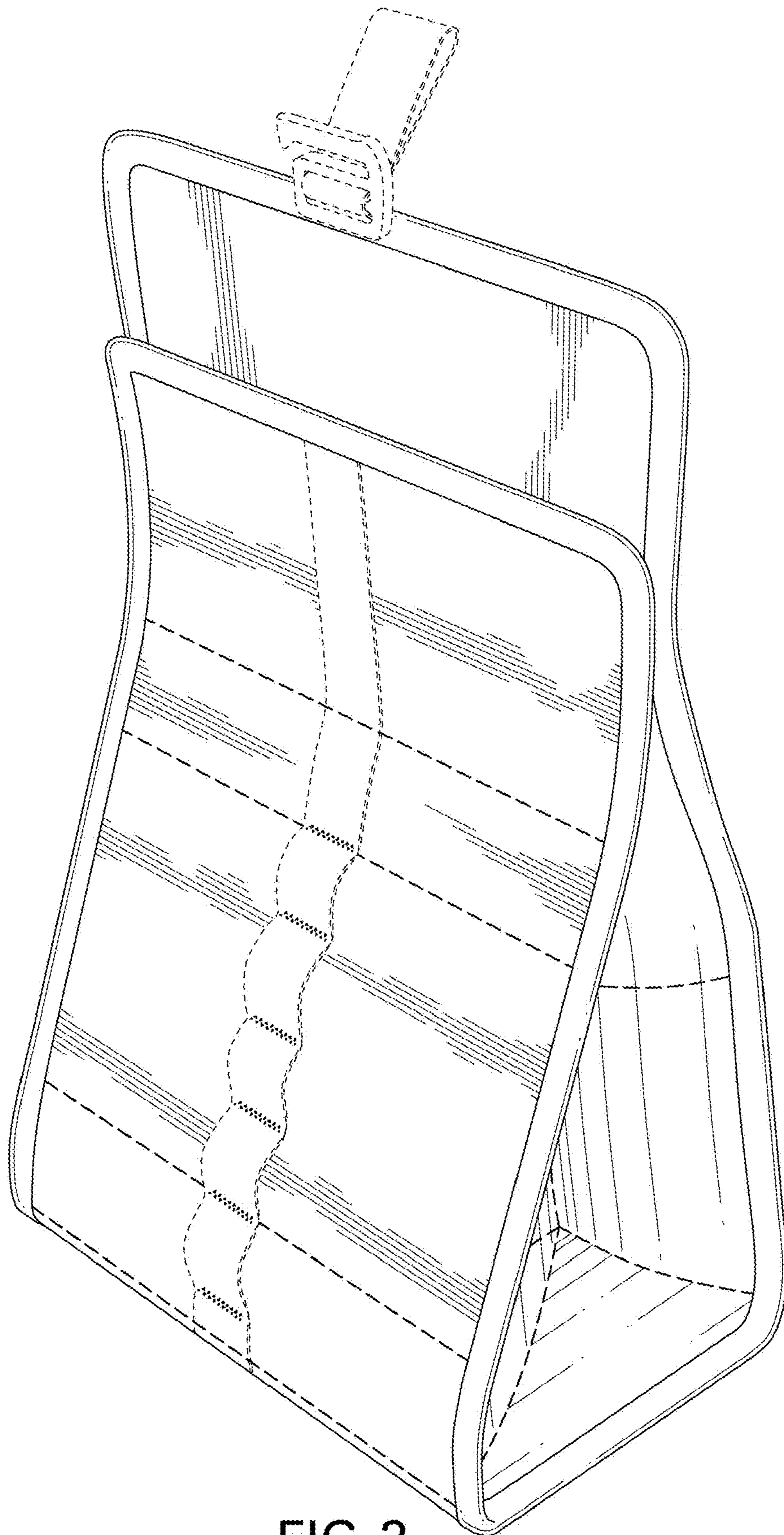


FIG. 2

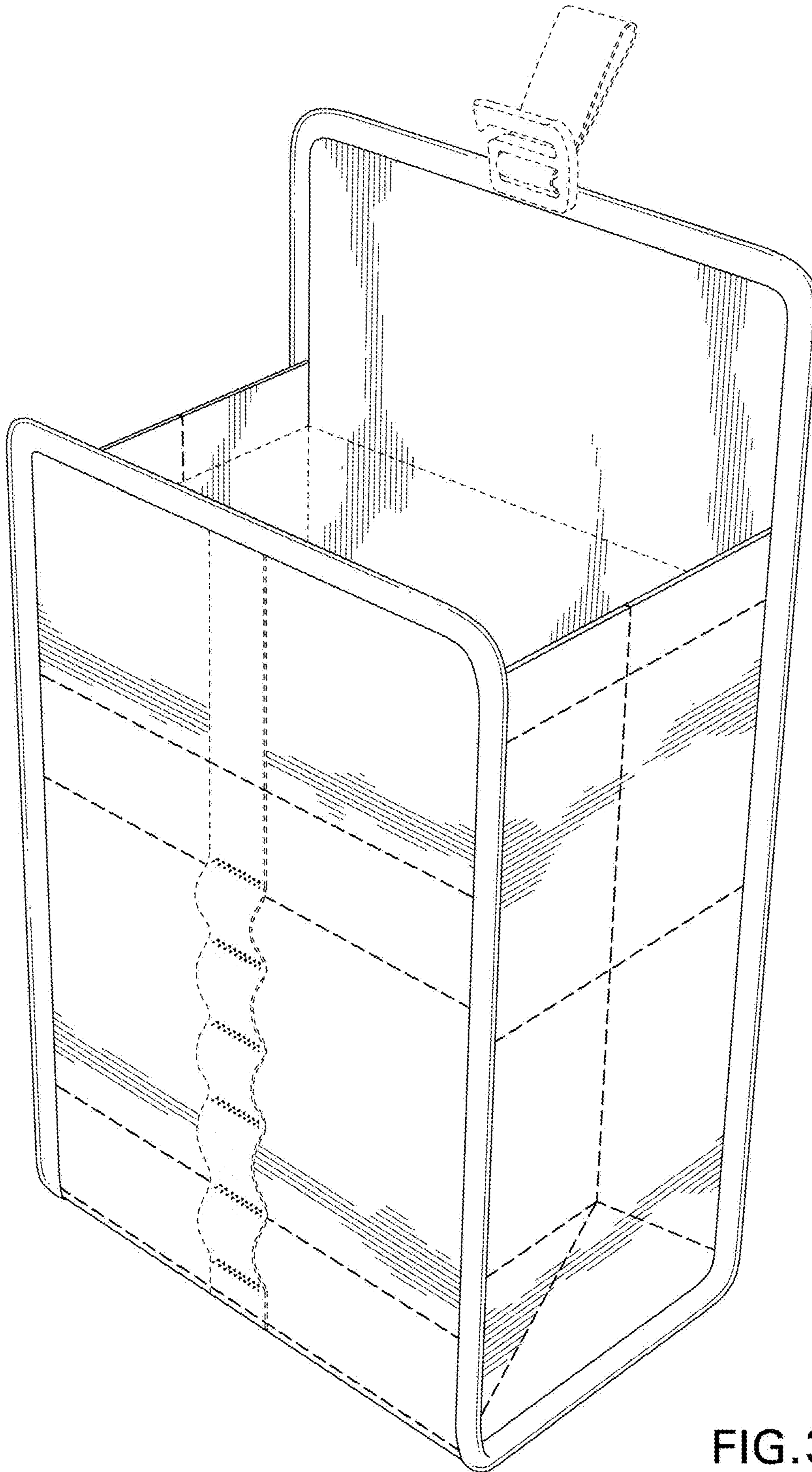


FIG. 3



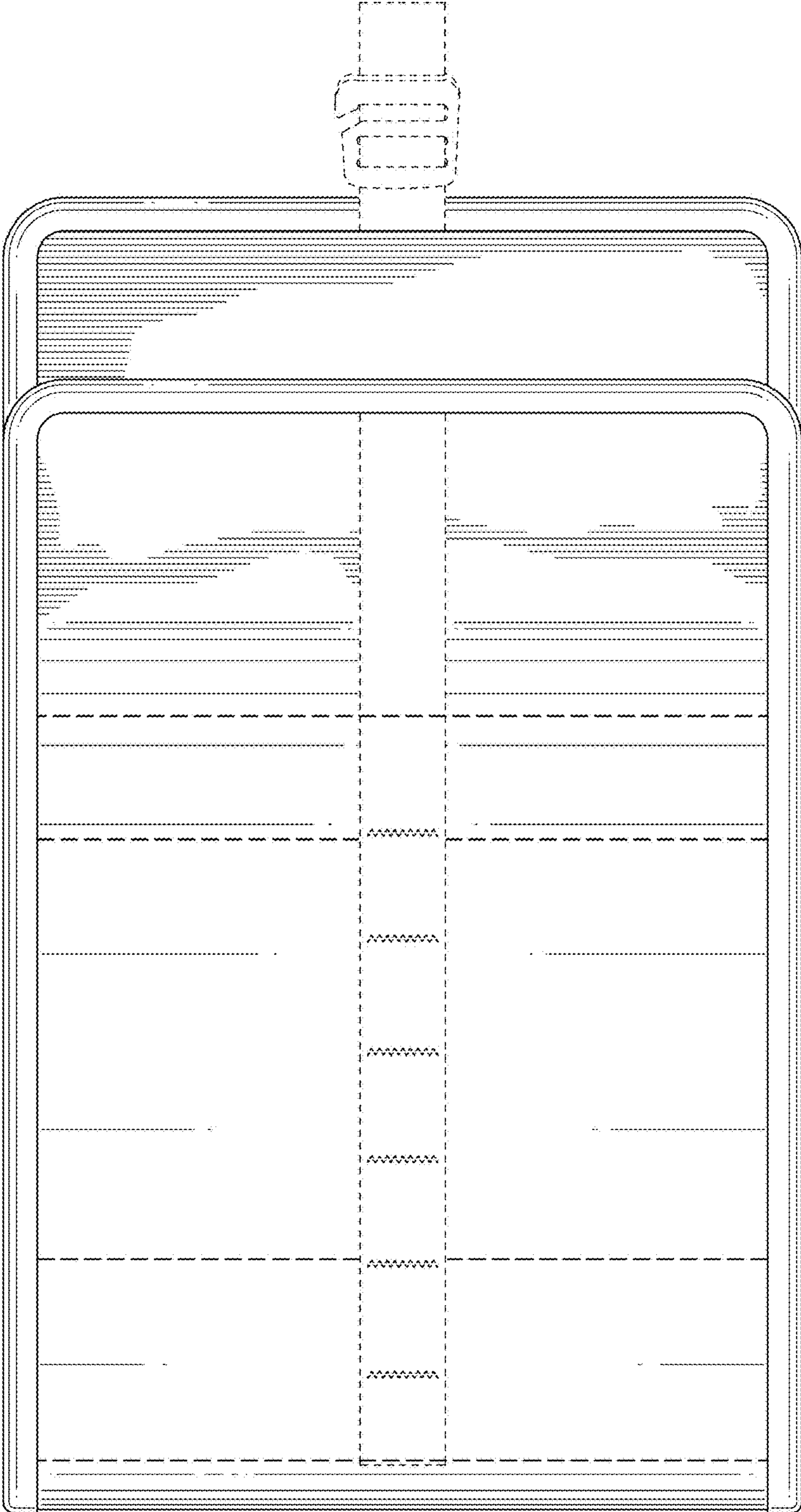


FIG.4

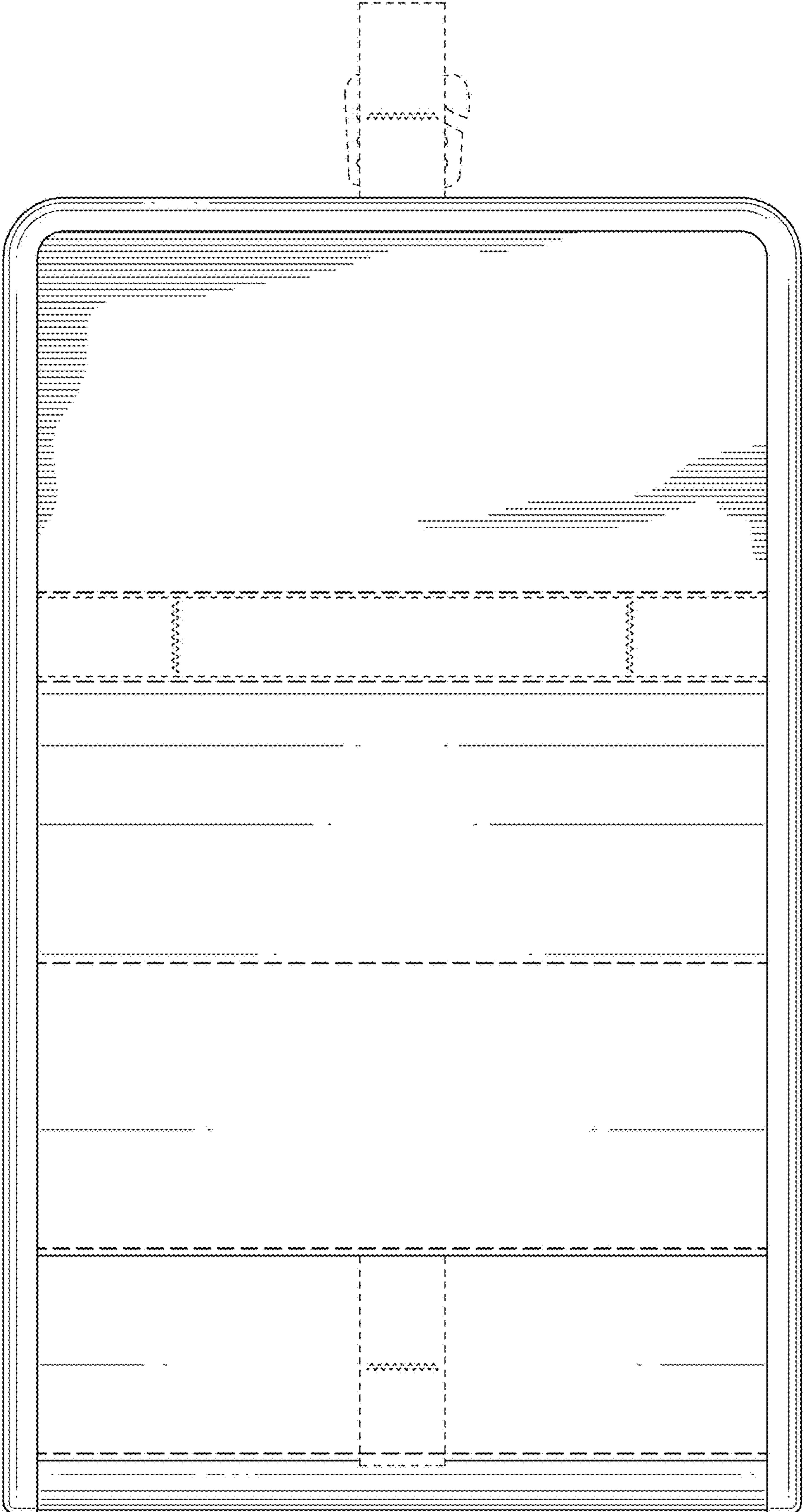


FIG. 5



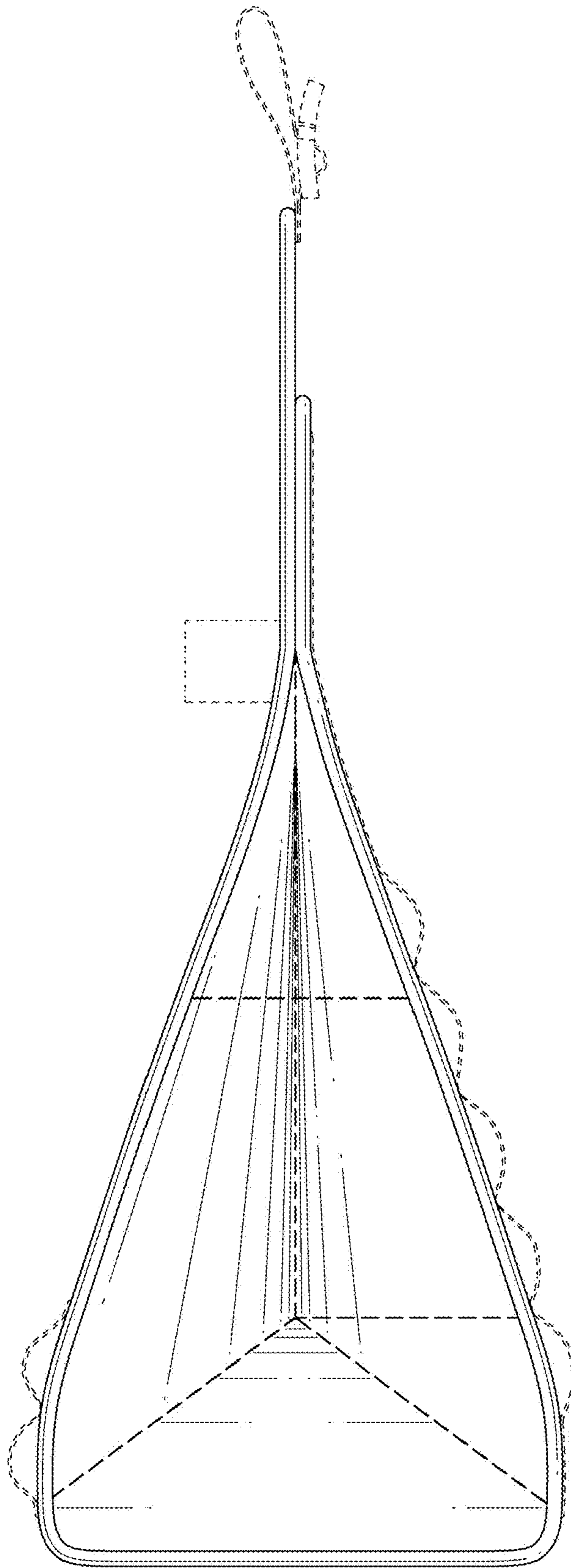


FIG.6

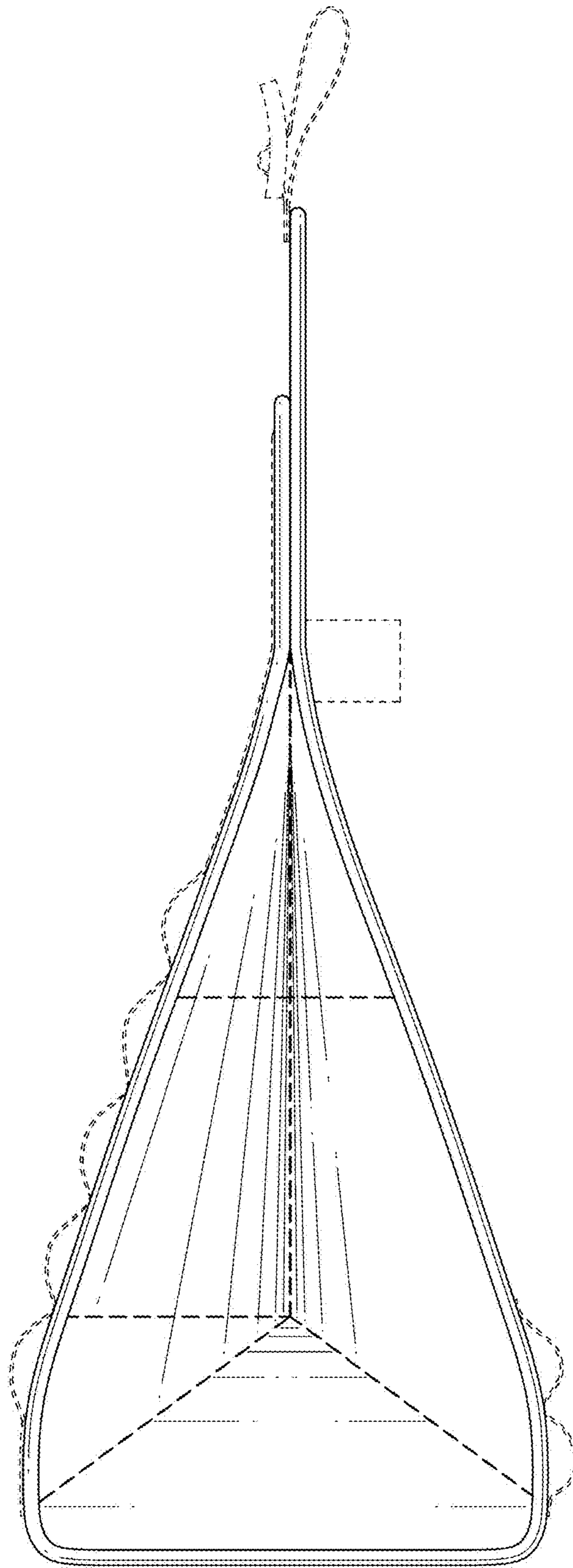


FIG. 7



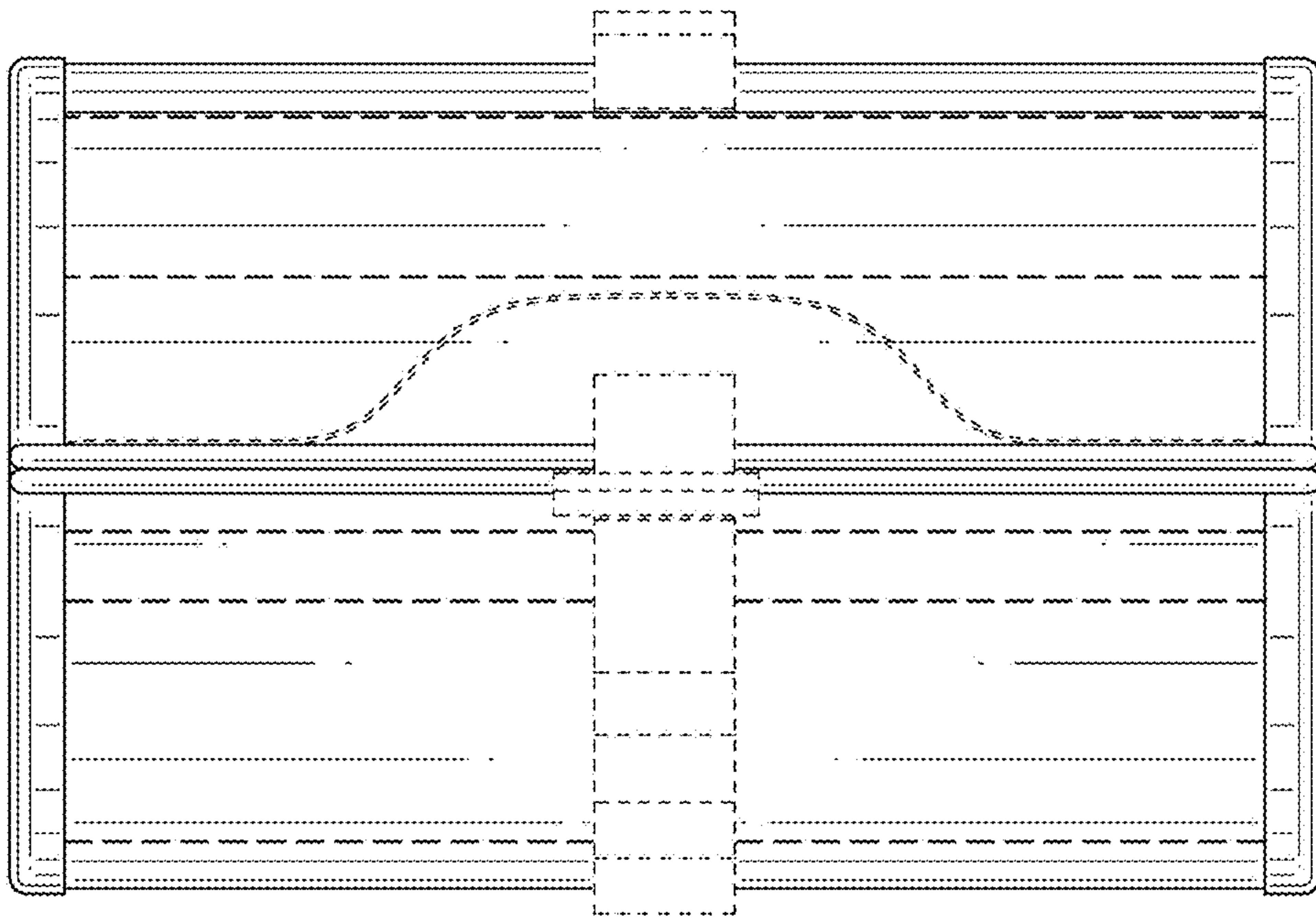


FIG.8

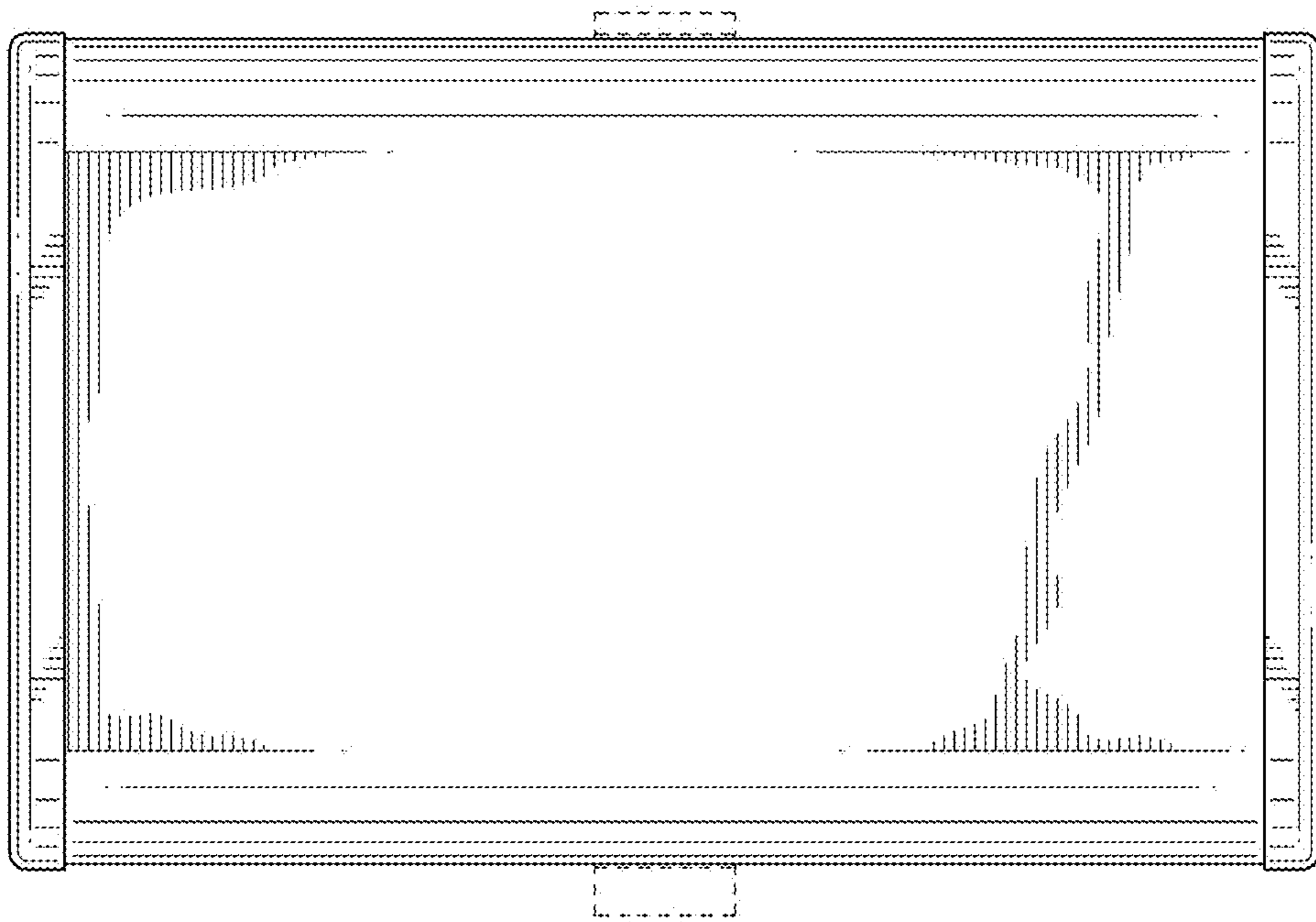


FIG. 9