



US00D954504S

(12) **United States Design Patent**
Brouillac

(10) **Patent No.:** **US D954,504 S**
(45) **Date of Patent:** **** Jun. 14, 2022**

(54) **BEER GLASS**

(71) Applicant: **PEUGEOT SAVEURS**, Quingey (FR)

(72) Inventor: **Nicolas Brouillac**, Saint Vit (FR)

(73) Assignee: **PEUGEOT SAVEURS**, Quingey (FR)

(**) Term: **15 Years**

(21) Appl. No.: **35/510,637**

(22) Filed: **Oct. 13, 2020**

(80) **Hague Agreement Data**

Int. Filing Date: **Oct. 13, 2020**

Int. Reg. No.: **DM/210904**

Int. Reg. Date: **Oct. 13, 2020**

Int. Reg. Pub. Date: **Oct. 30, 2020**

(51) **LOC (13) Cl.** **07-01**

(52) **U.S. Cl.**

USPC **D7/524**

(58) **Field of Classification Search**

USPC D7/332, 306, 310, 400, 402, 523, 524,
D7/537, 679, 608

CPC A21B 3/13; A47G 19/22; B41P 2217/61

See application file for complete search history.

(56) **References Cited**

U.S. PATENT DOCUMENTS

- 3,393,819 A * 7/1968 Van De Walle ... A47G 19/2255
215/372
- 4,151,923 A * 5/1979 Bernardi A47G 19/2288
215/12.1
- D260,470 S * 9/1981 Angelakos D7/507
- D411,940 S * 7/1999 Horvat D7/507
- D544,306 S * 6/2007 Festa D7/300.1
- D659,476 S * 5/2012 Guillot D7/524

- D662,779 S * 7/2012 Dail D7/524
- D685,610 S * 7/2013 Bangert D7/537
- D760,028 S * 6/2016 Di Giuseppantonio D7/524
- D792,156 S * 7/2017 Di Giuseppantonio D7/524
- D800,504 S * 10/2017 Di Giuseppantonio D7/524

FOREIGN PATENT DOCUMENTS

- EM 008202329-0004 * 10/2020
- GB 9008202329-0004 * 10/2020

OTHER PUBLICATIONS

Peugeot-Saveurs website, Bierissime, Earliest comment date Jun. 14, 2021, [site visited Dec. 4, 2021], Available on the Internet URL https://us.peugeot-saveurs.com/en_us/bierissime-puissance-matiere.html (Year: 2021).*

* cited by examiner

Primary Examiner — S. Bryan Reinholdt, Jr.

(74) *Attorney, Agent, or Firm* — Craft Chu PLLC;
Andrew W. Chu

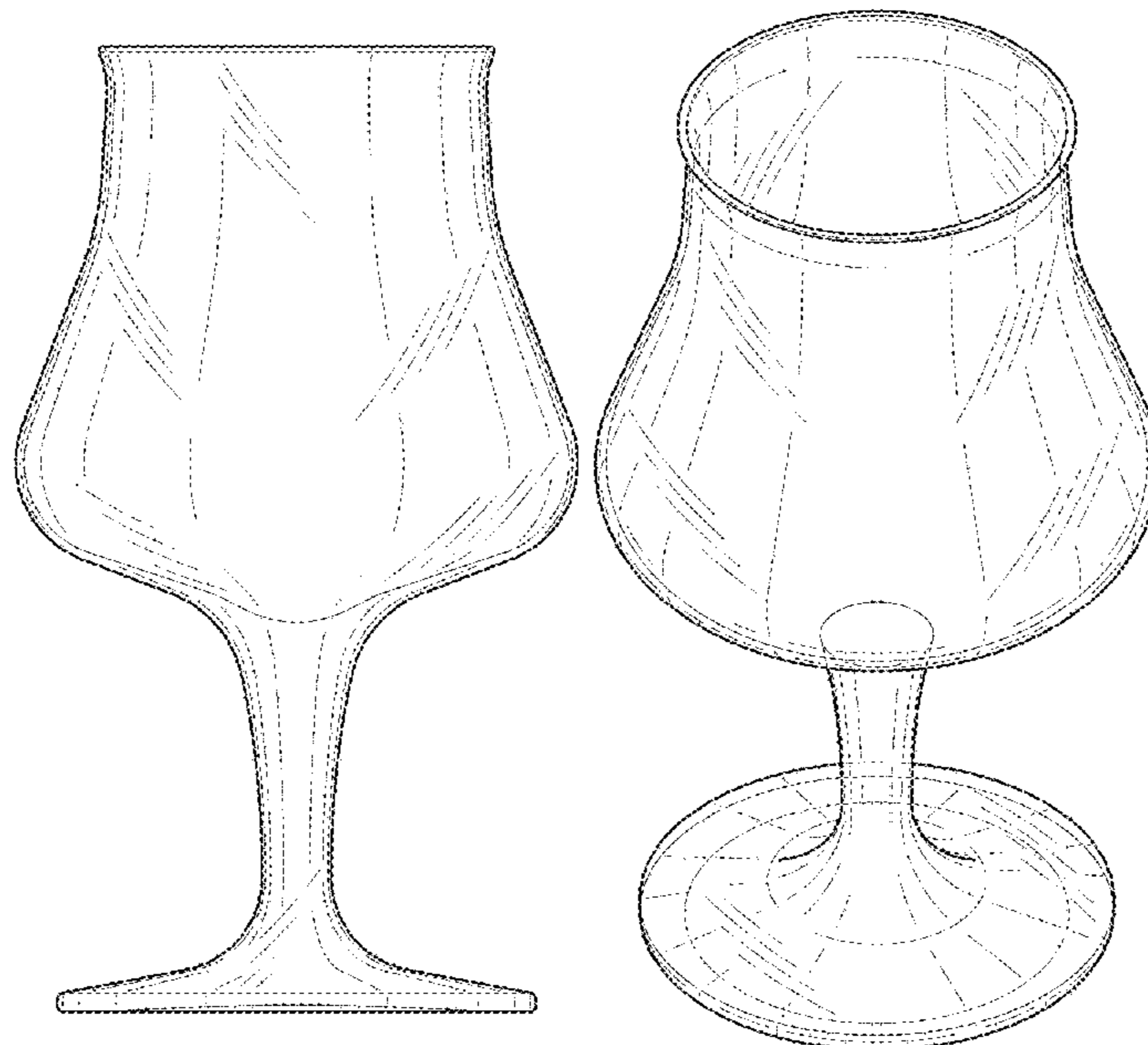
(57) **CLAIM**

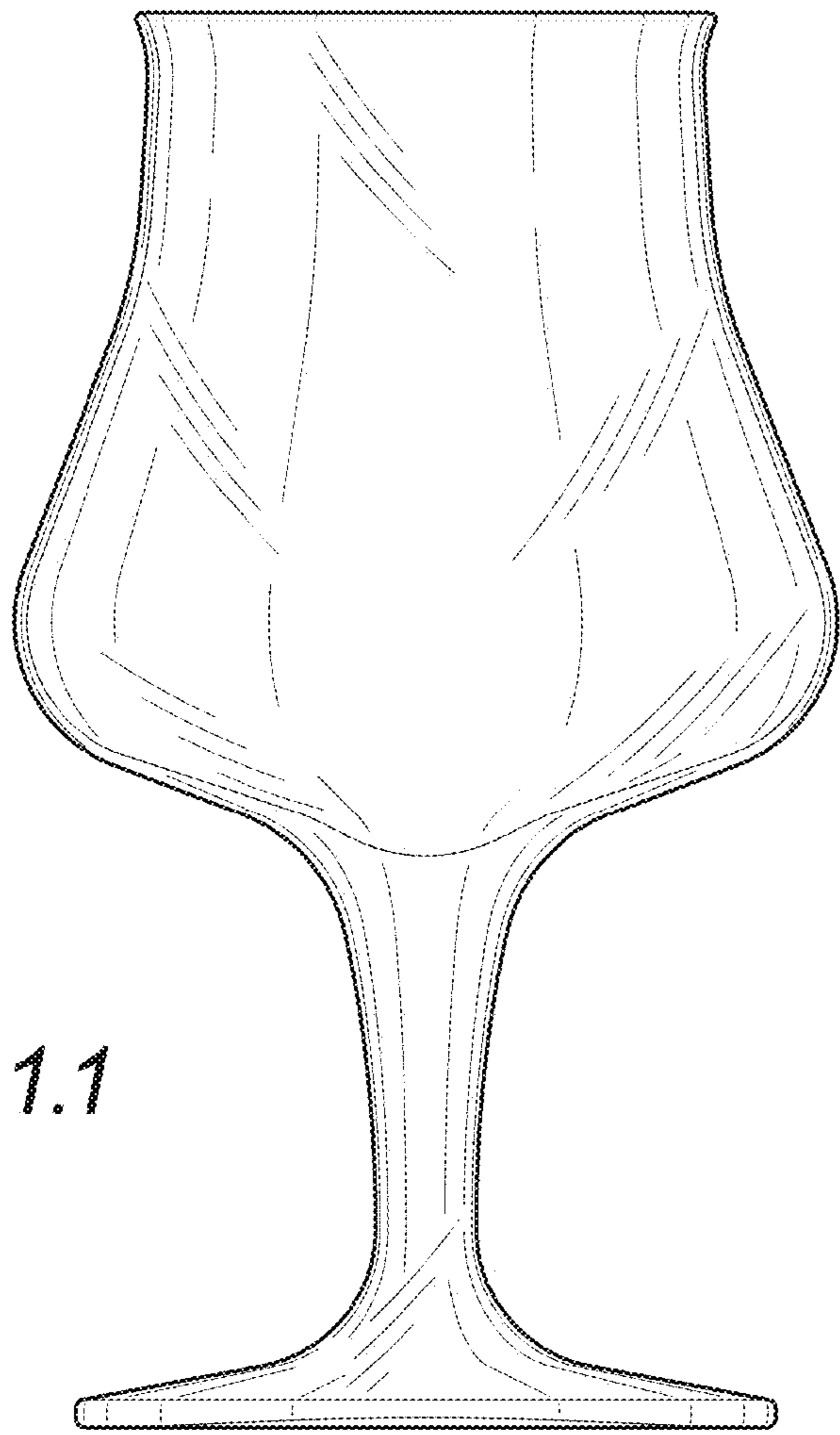
The ornamental design for a beer glass, as shown and described.

DESCRIPTION

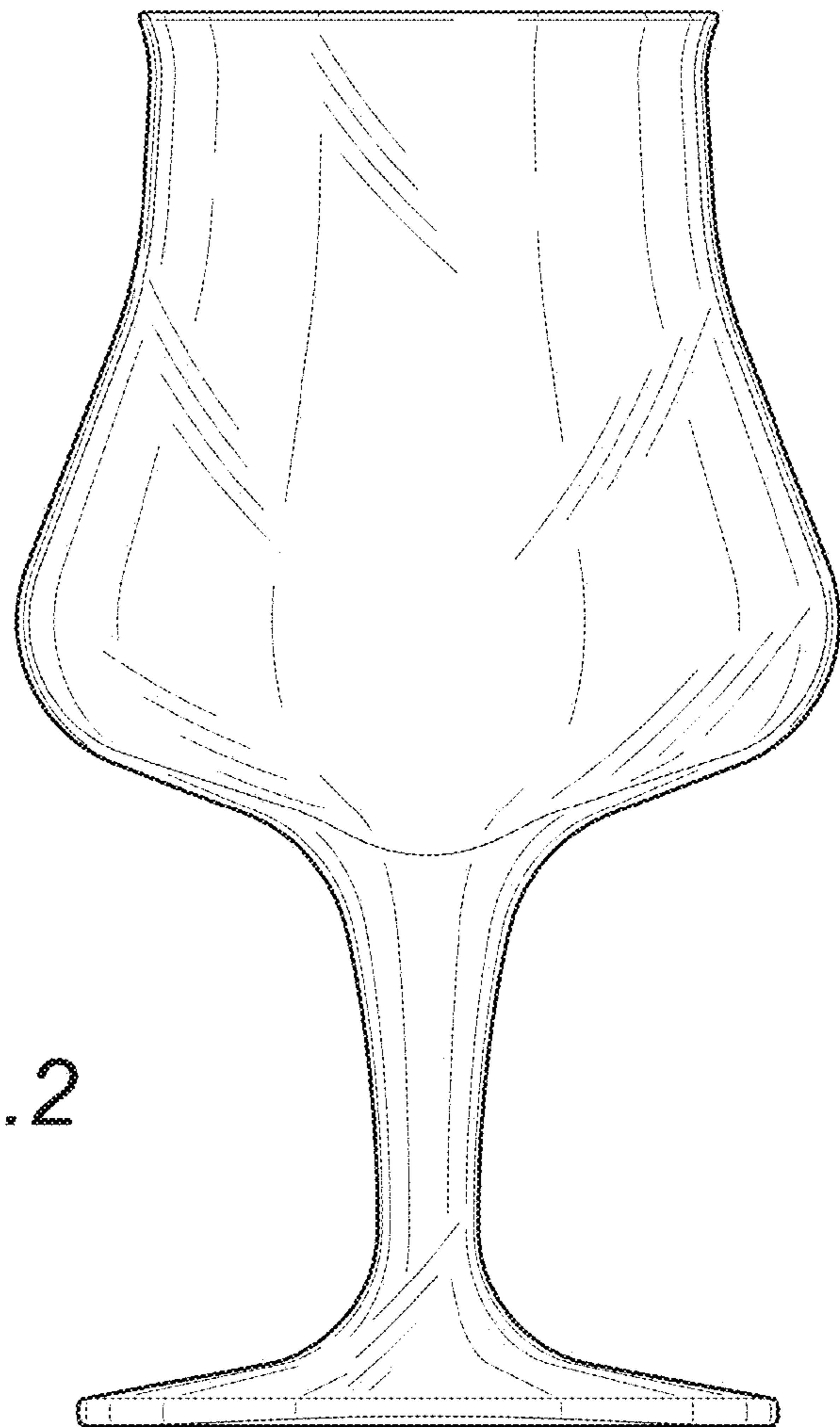
Fig. 1.1 is a back elevation view of a beer glass showing my new design;
Fig. 1.2 is a left side elevation view thereof;
Fig. 1.3 is an upper perspective view thereof;
Fig. 1.4 is a front elevation view thereof;
Fig. 1.5 is a top plan view thereof;
Fig. 1.6 is a bottom plan view thereof; and
Fig. 1.7 is a right side elevation view thereof.
The oblique shade lines in the drawings depict a surface that is transparent.

1 Claim, 3 Drawing Sheets

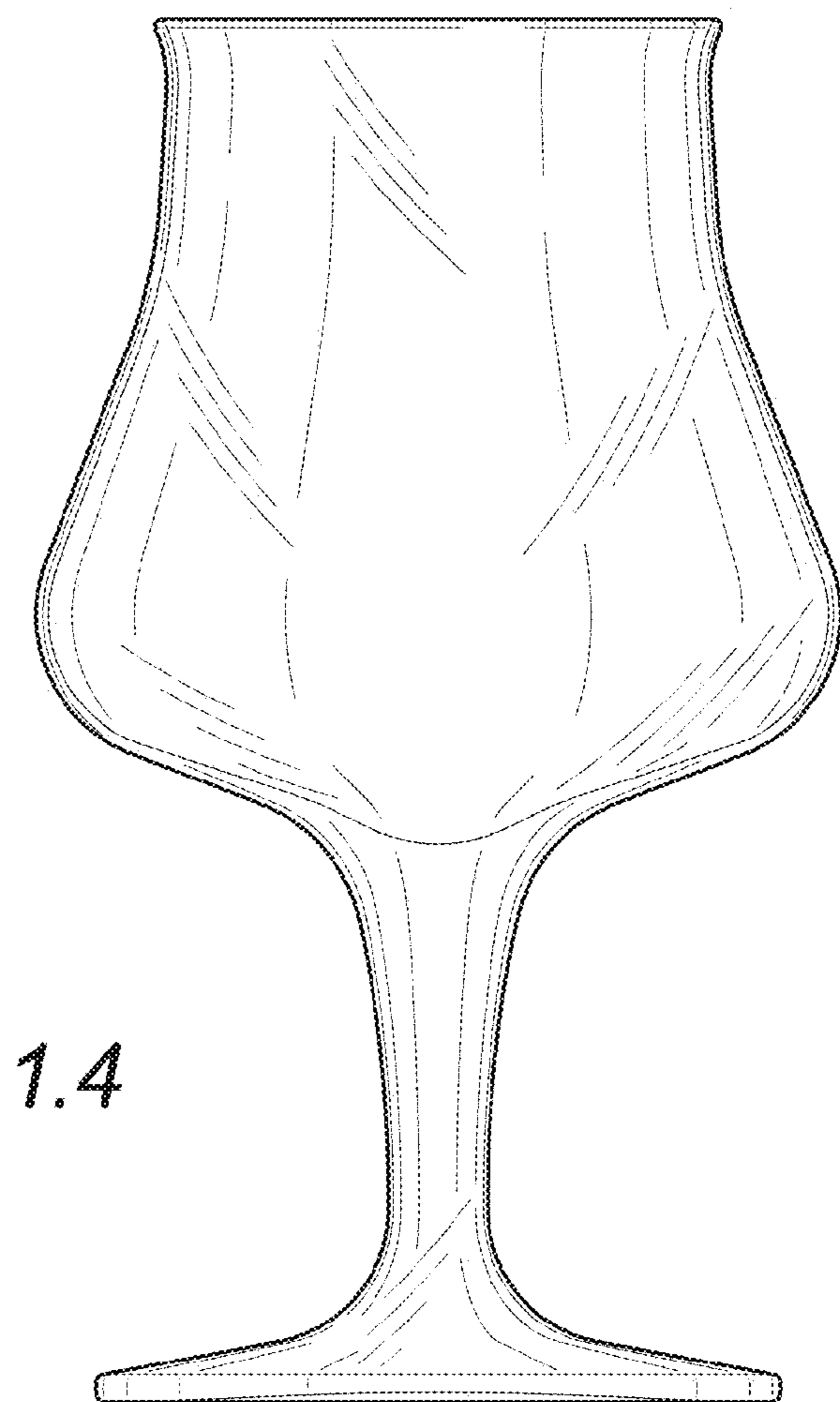
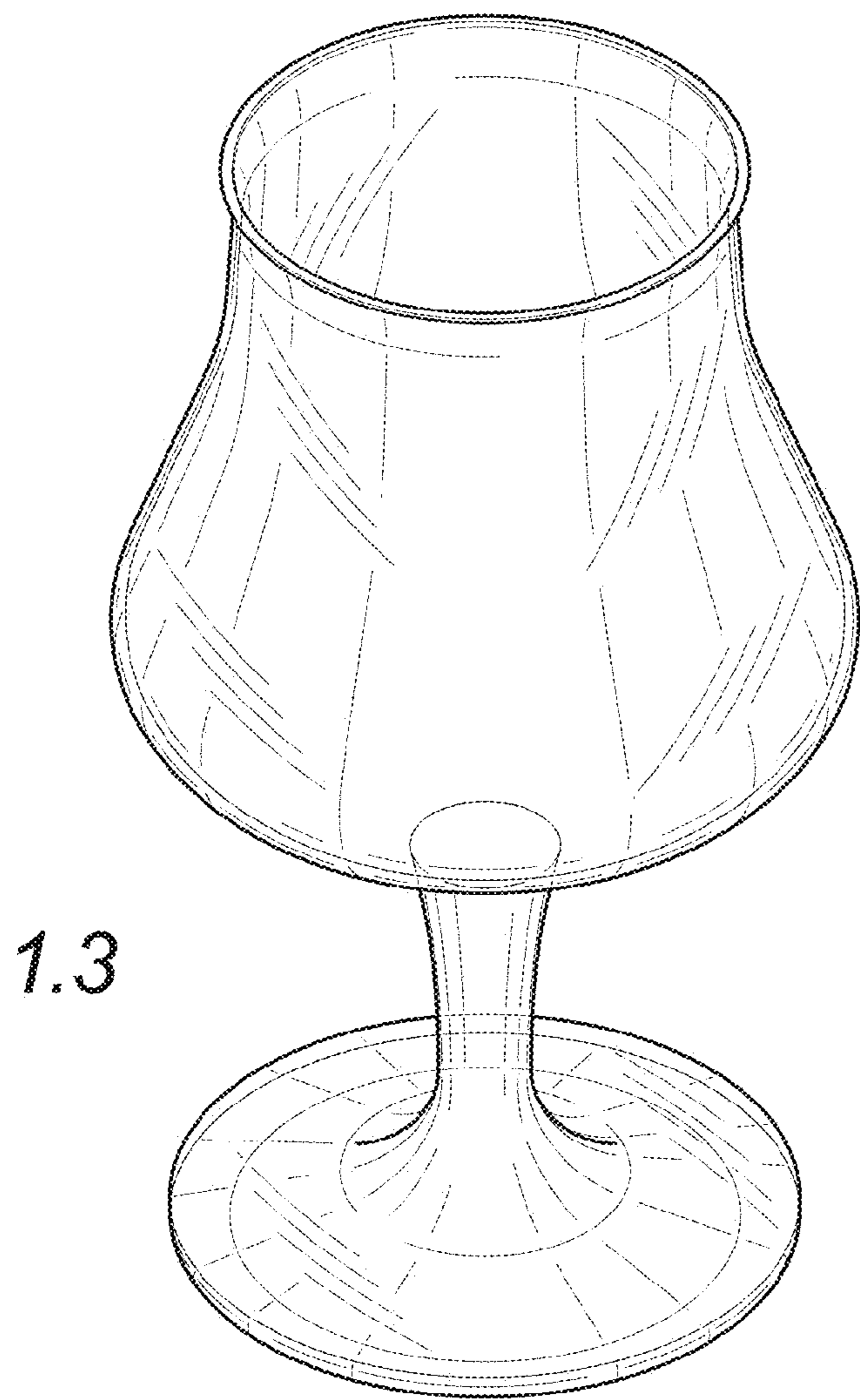


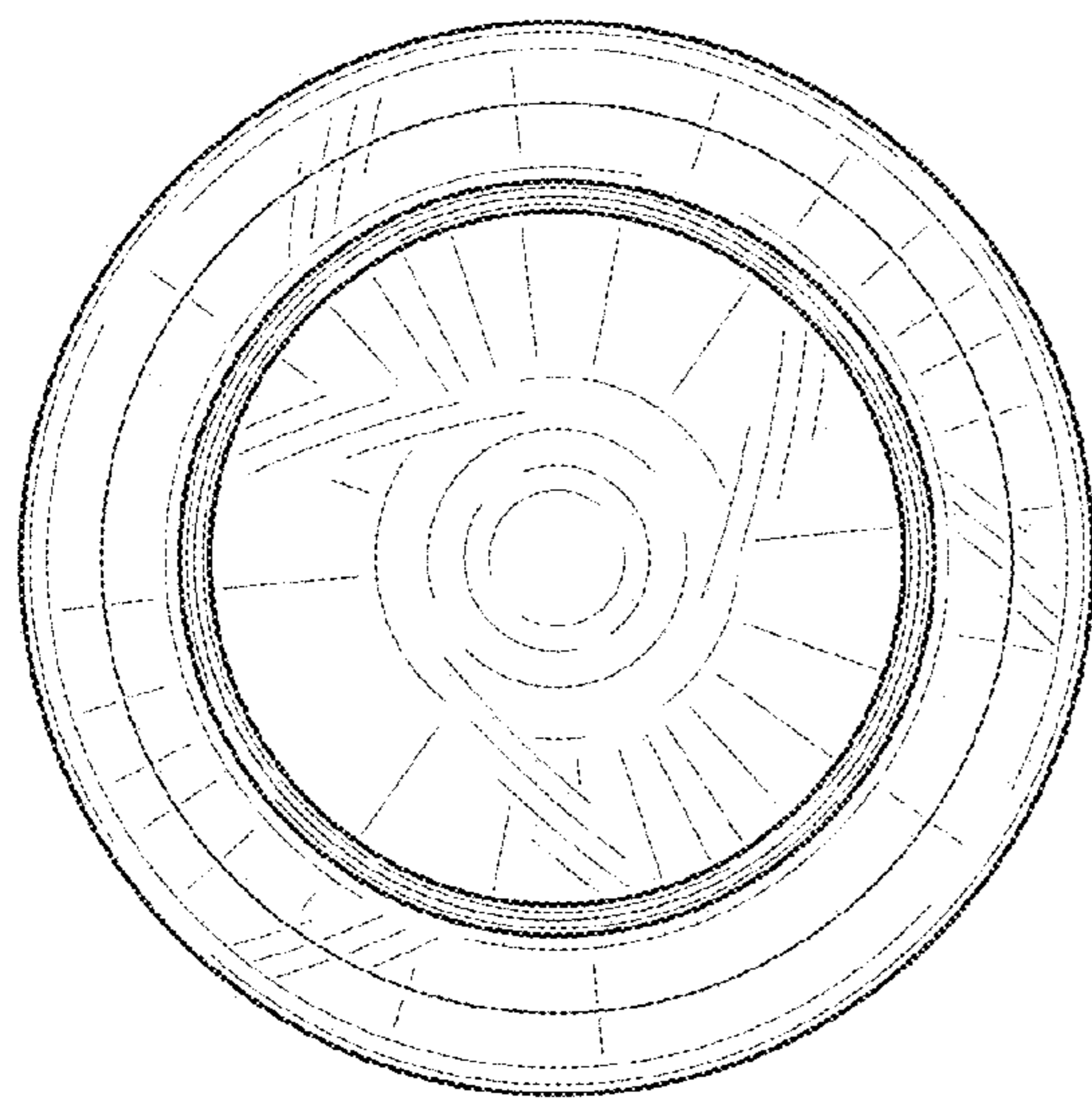


1.1

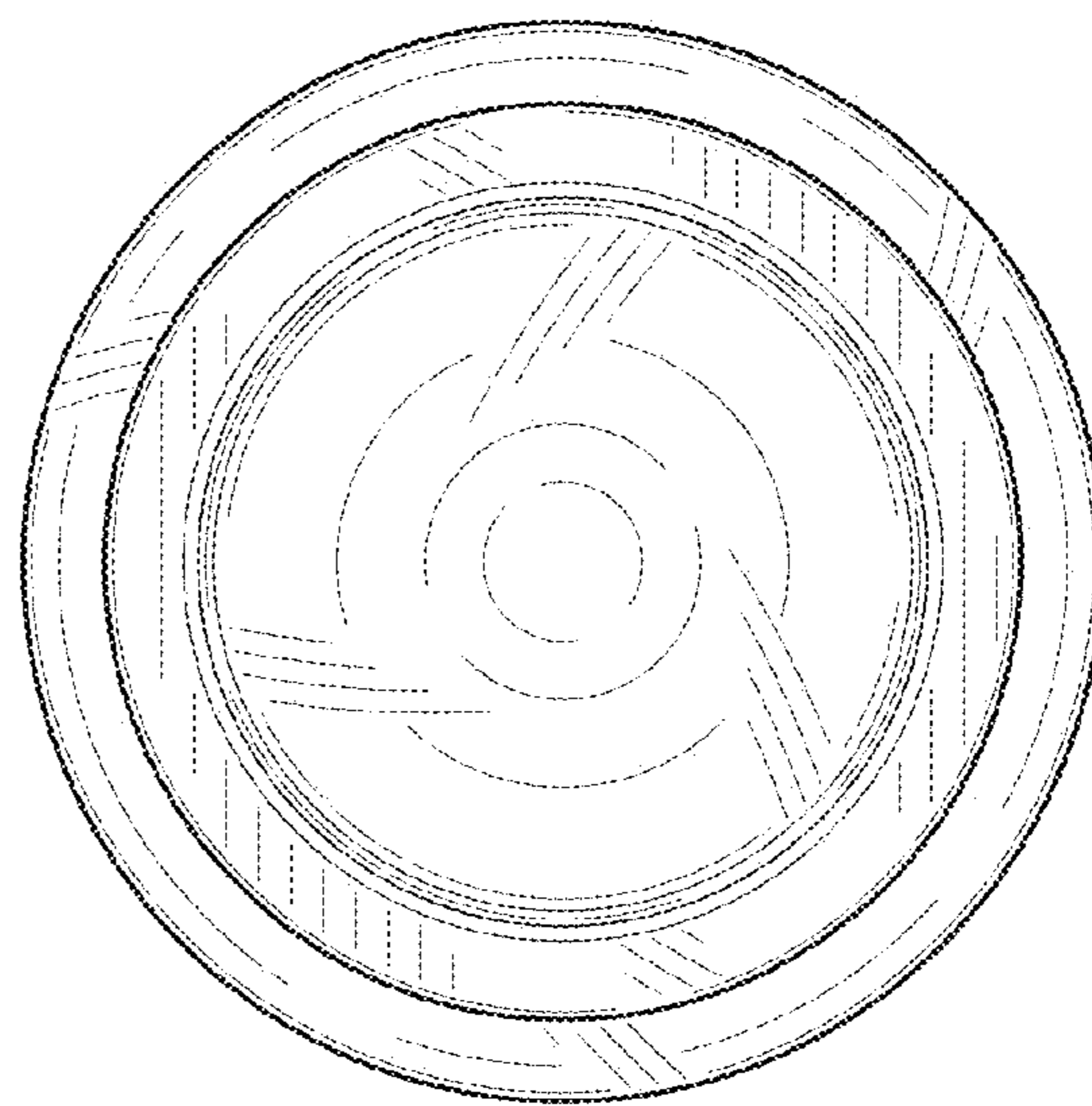


1.2

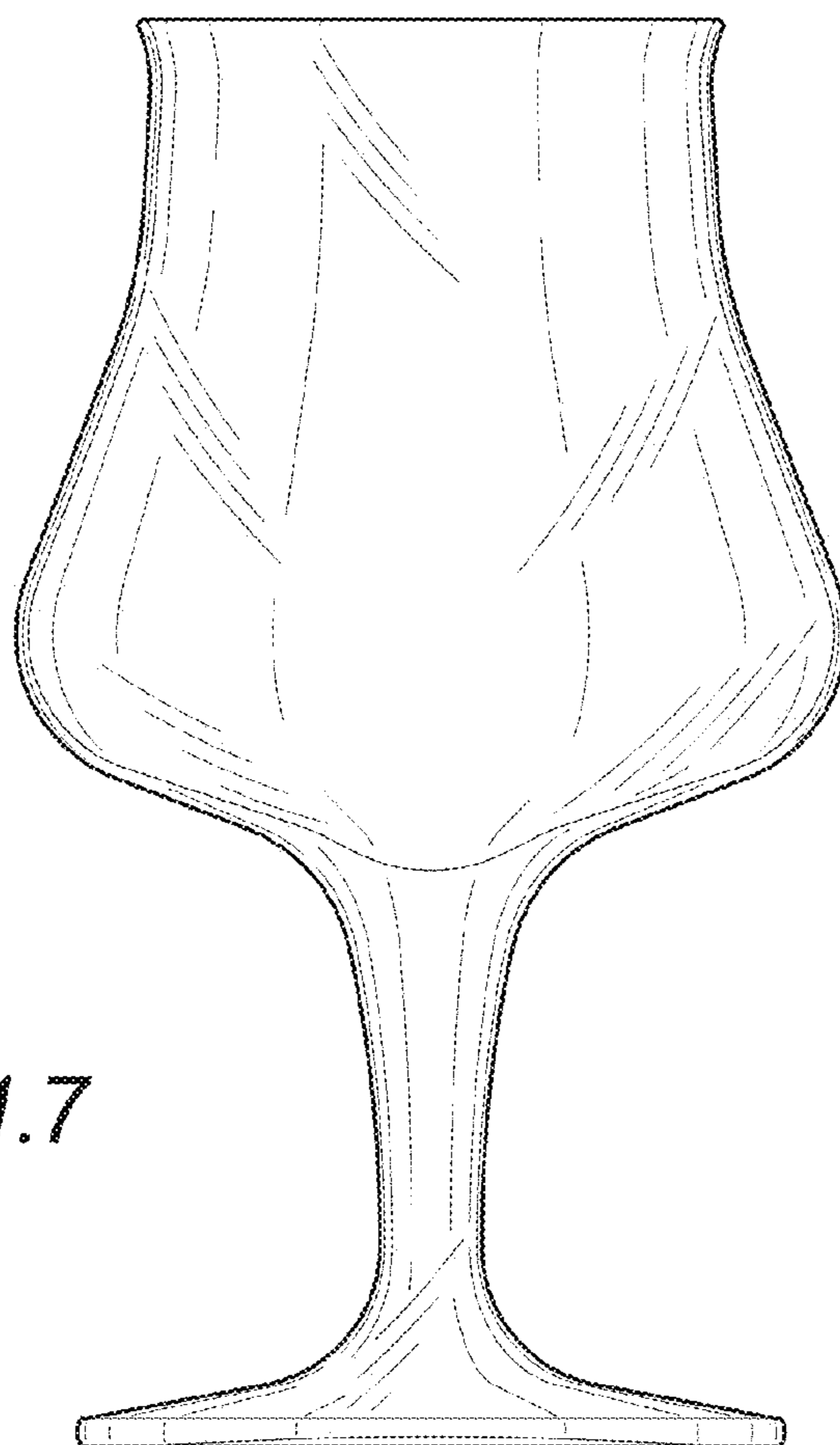




1.5



1.6



1.7