



US00D954503S

(12) **United States Design Patent**
Lu

(10) **Patent No.:** **US D954,503 S**
(45) **Date of Patent:** **** Jun. 14, 2022**

(54) **COFFEE CUP**

D899,192 S * 10/2020 Yu D7/510
D926,521 S * 8/2021 Gronkowski D7/510
D941,092 S * 1/2022 Roberts D7/529

(71) Applicant: **Jianhong Lu**, Ganzhou (CN)

(72) Inventor: **Jianhong Lu**, Ganzhou (CN)

(**) Term: **15 Years**

(21) Appl. No.: **29/794,208**

(22) Filed: **Jun. 10, 2021**

(51) **LOC (13) Cl.** **07-01**

(52) **U.S. Cl.**

USPC **D7/510**; D7/511; D7/529; D7/531

(58) **Field of Classification Search**

USPC D7/507, 509, 510, 511, 523, 531, 532,
D7/392.1, 396.2, 534, 536; D9/449, 435,
D9/436, 440, 450; D3/202

CPC A47G 19/2288; A47G 19/22; A47G
19/2205; A47G 19/2211; A47G 19/2216;
A47G 19/2222; A47J 31/14; A47J 31/005

See application file for complete search history.

(56) **References Cited**

U.S. PATENT DOCUMENTS

D403,555 S * 1/1999 Burns D7/509
D438,757 S * 3/2001 Joergensen D7/532
D441,872 S * 5/2001 Johansen D24/197
D457,035 S * 5/2002 Hurlbut D7/510
D462,239 S 9/2002 Schibuola
D546,126 S * 7/2007 Bhavnani D7/532
D556,514 S 12/2007 Hamberger et al.
D566,469 S * 4/2008 Tien D7/509
D579,722 S * 11/2008 Sakulsacha D7/510
D861,435 S * 10/2019 Yang D7/532
D889,904 S * 7/2020 Lane D7/392

OTHER PUBLICATIONS

https://www.amazon.com/dp/B09KBVH798/ref=cm_sw_em_r_mt_dp_XQB4J2FD4WXYGTVMEPA7 (Year: 2021).*

https://www.amazon.com/dp/B09746Z7F1/ref=cm_sw_em_r_mt_dp_9ZXRJ3ZEGA69GWNBMKKB (Year: 2021).*

* cited by examiner

Primary Examiner — Jae Liang

(57) **CLAIM**

The ornamental design for a coffee cup, as shown and described.

DESCRIPTION

FIG. 1 is a perspective view of a coffee cup showing my new design;

FIG. 2 is another perspective view thereof;

FIG. 3 is a front elevational view thereof;

FIG. 4 is a rear elevational view thereof;

FIG. 5 is a left side elevational view thereof;

FIG. 6 is a right side elevational view thereof;

FIG. 7 is a top plan view thereof;

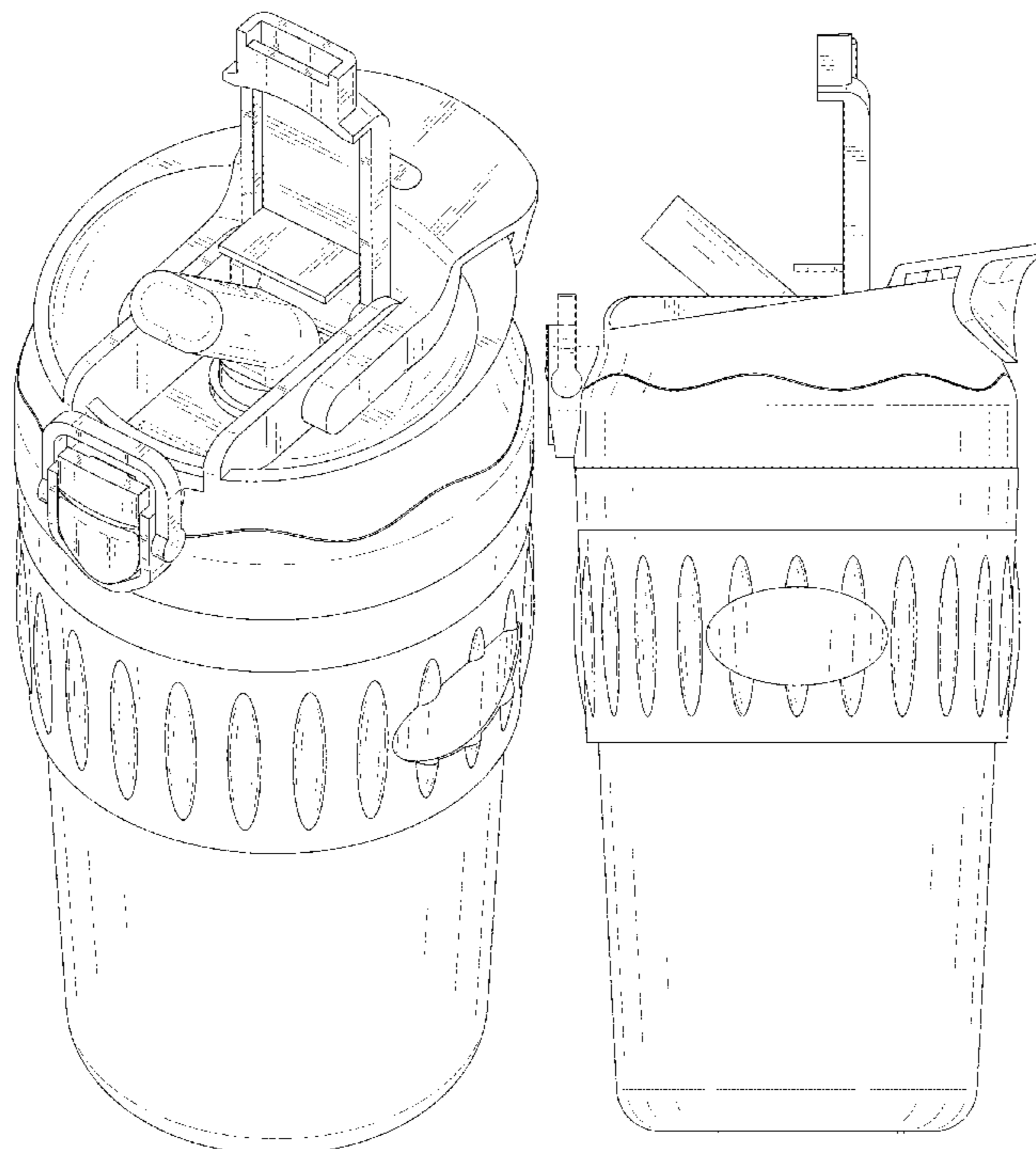
FIG. 8 is a bottom plan view thereof;

FIG. 9 is a perspective view of the coffee cup where the coffee cup is in a first configuration of use; and,

FIG. 10 is a perspective view of the coffee cup where the coffee cup is in a second configuration of use.

The broken lines in the drawings depict portions of the coffee cup that form no part of the claimed design.

1 Claim, 10 Drawing Sheets



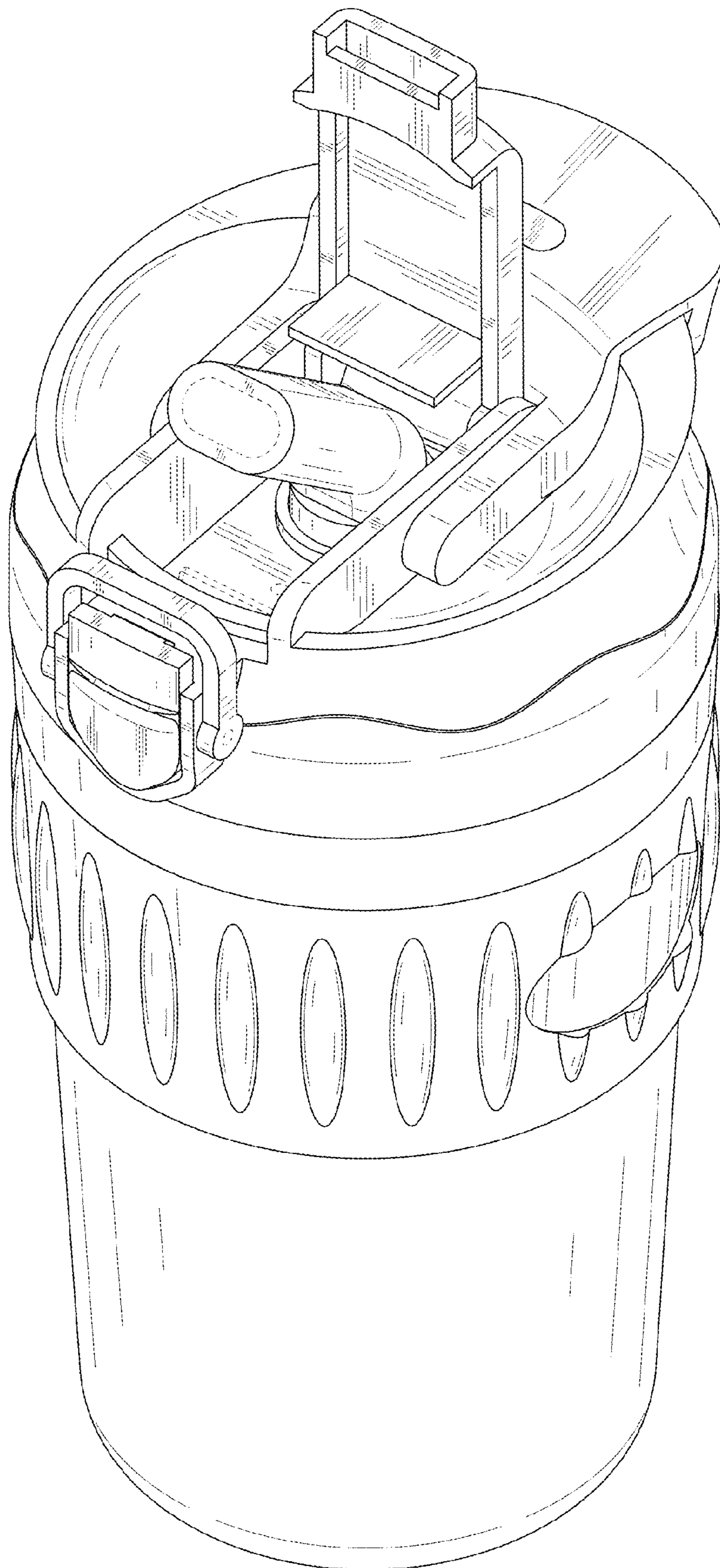


FIG. 1

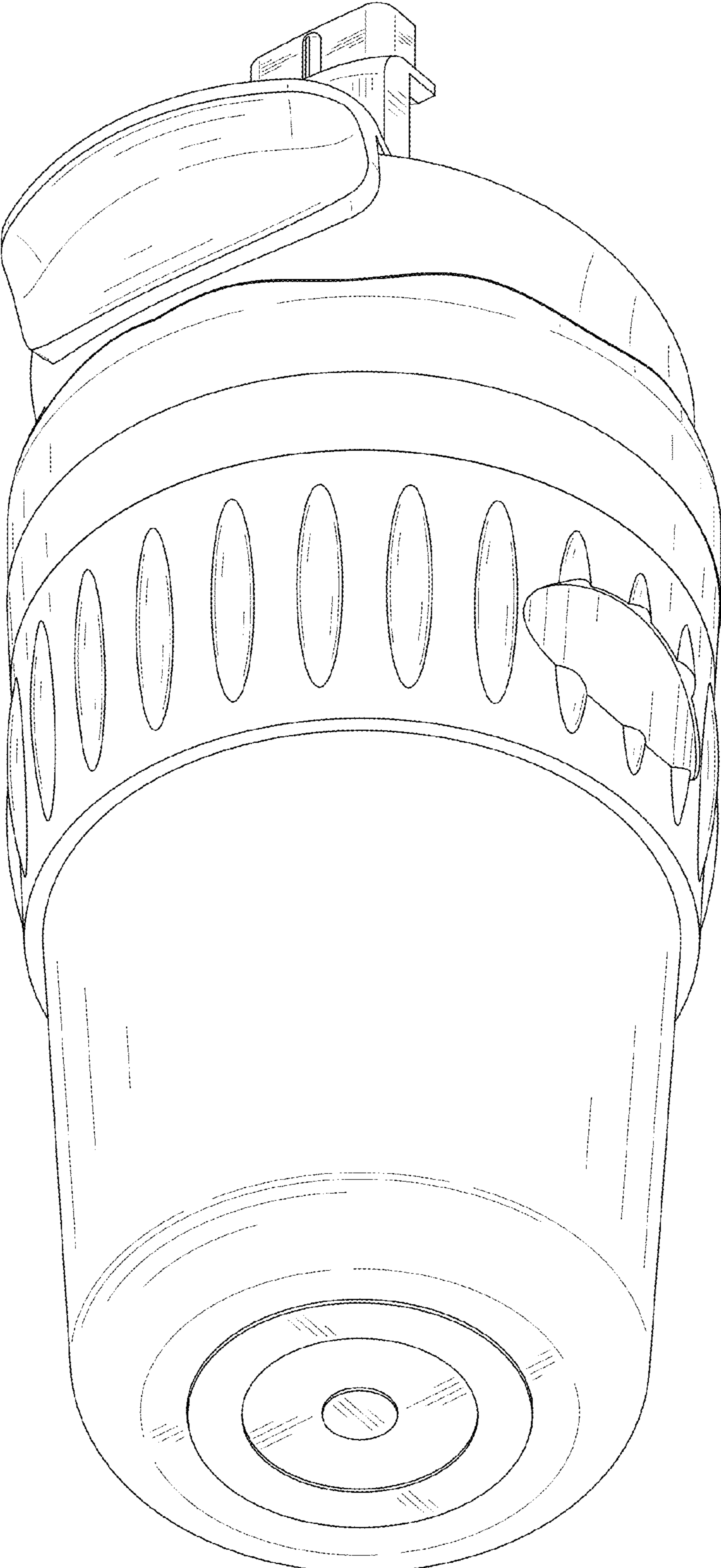


FIG. 2

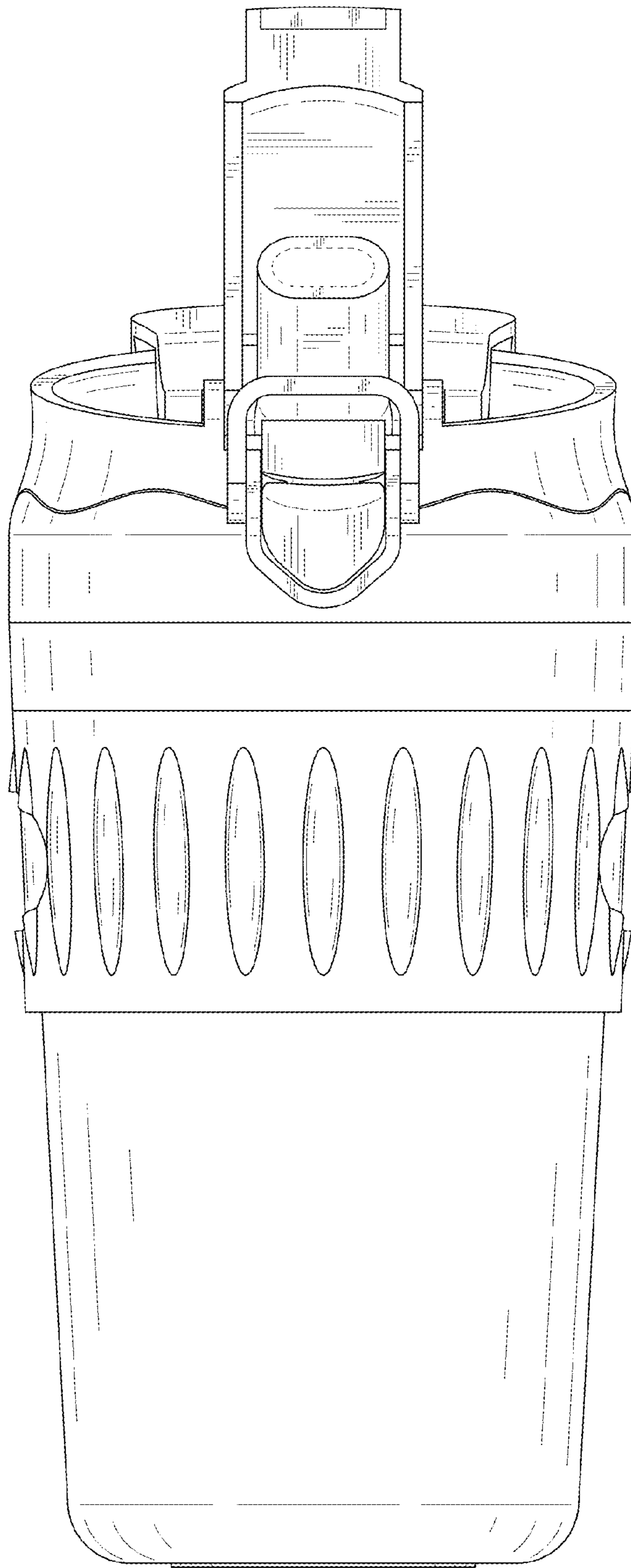


FIG. 3

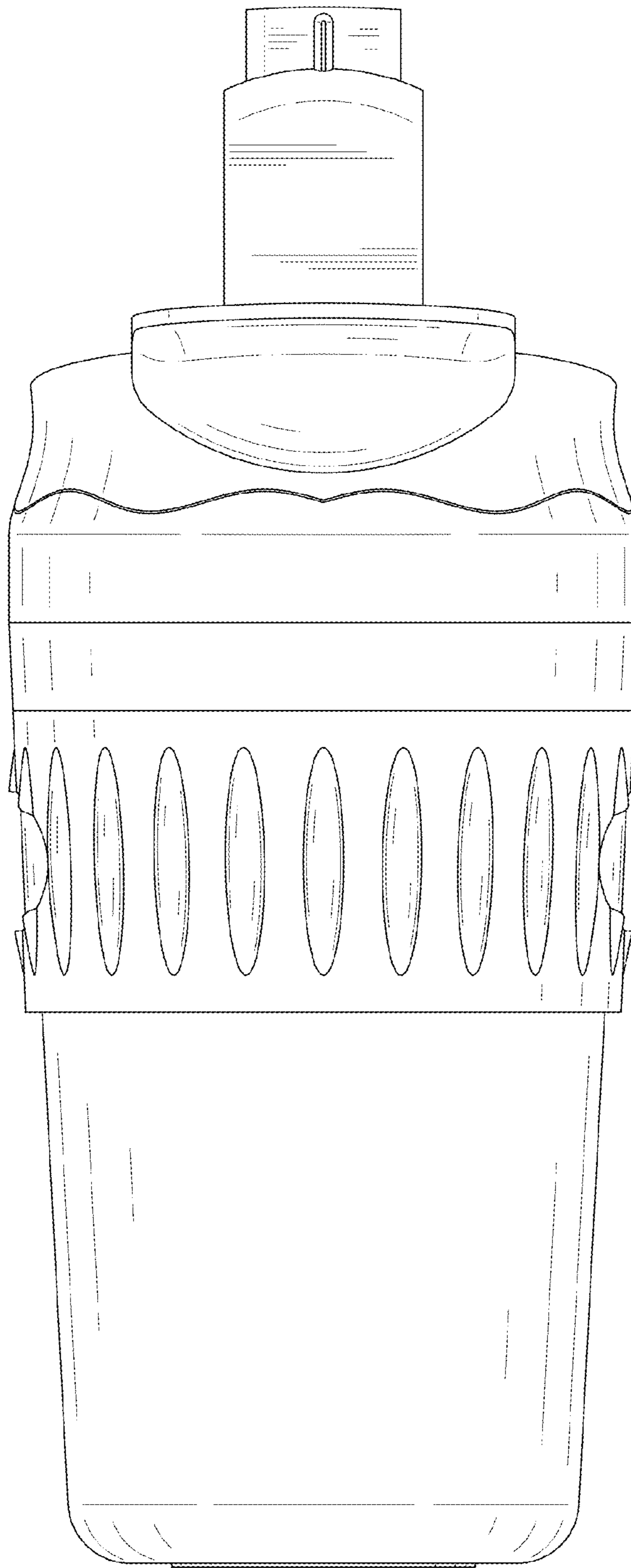


FIG. 4

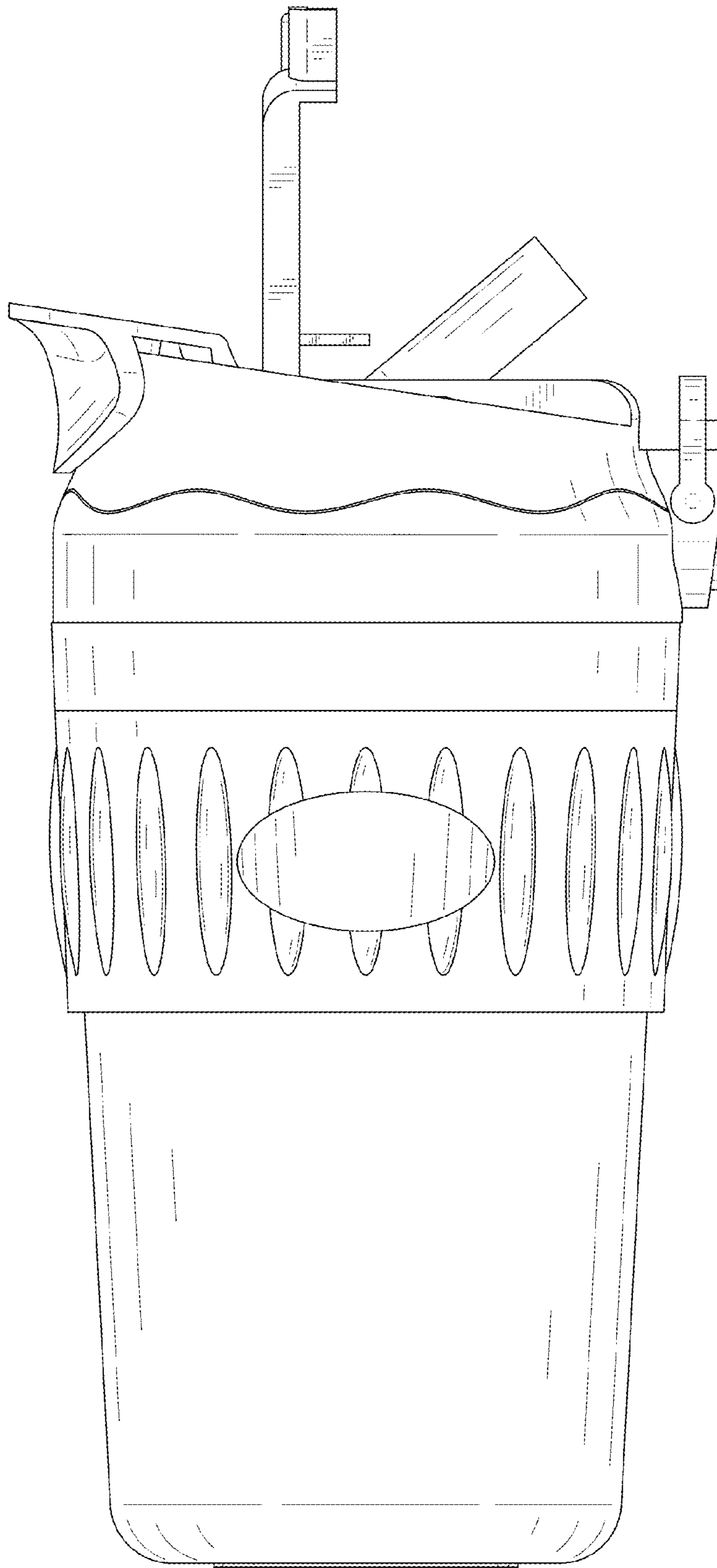


FIG. 5

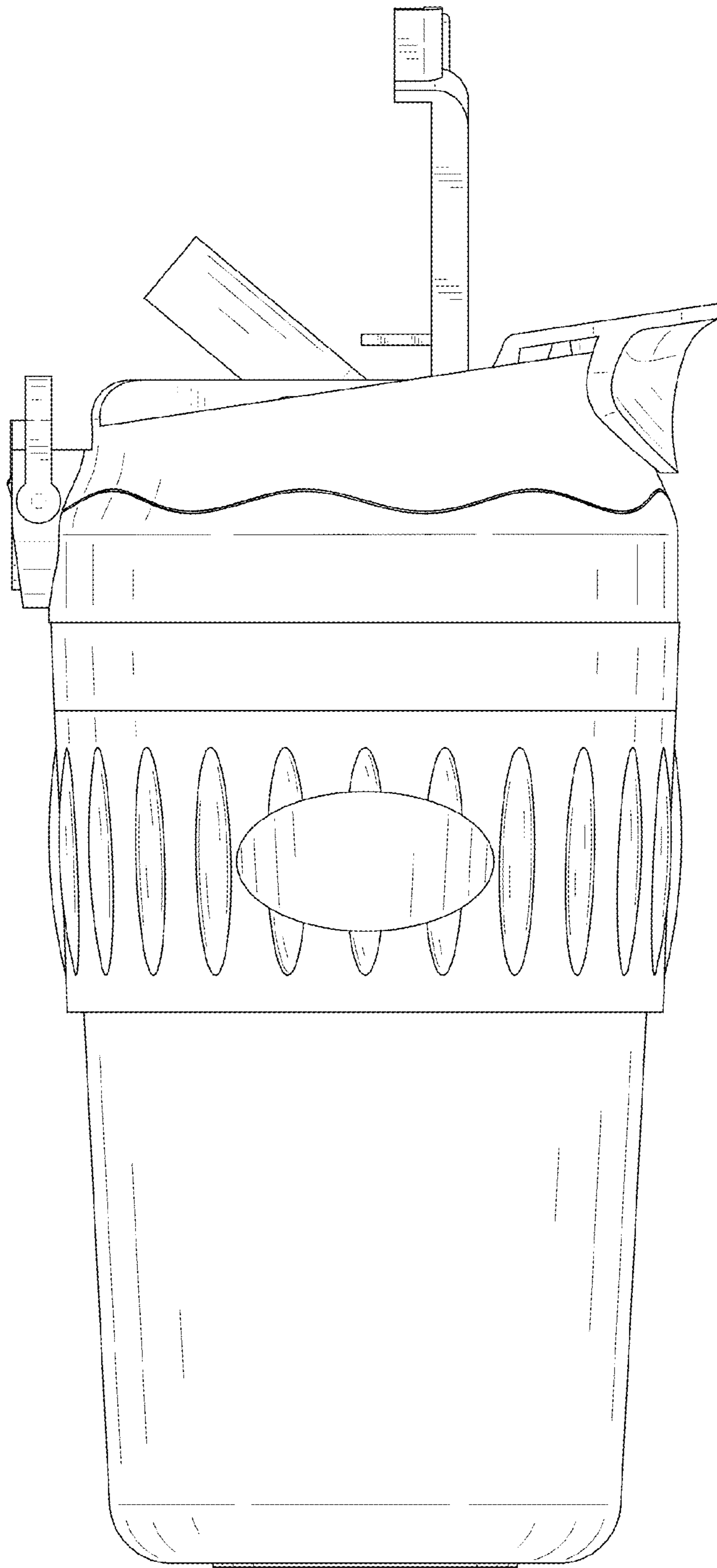


FIG. 6

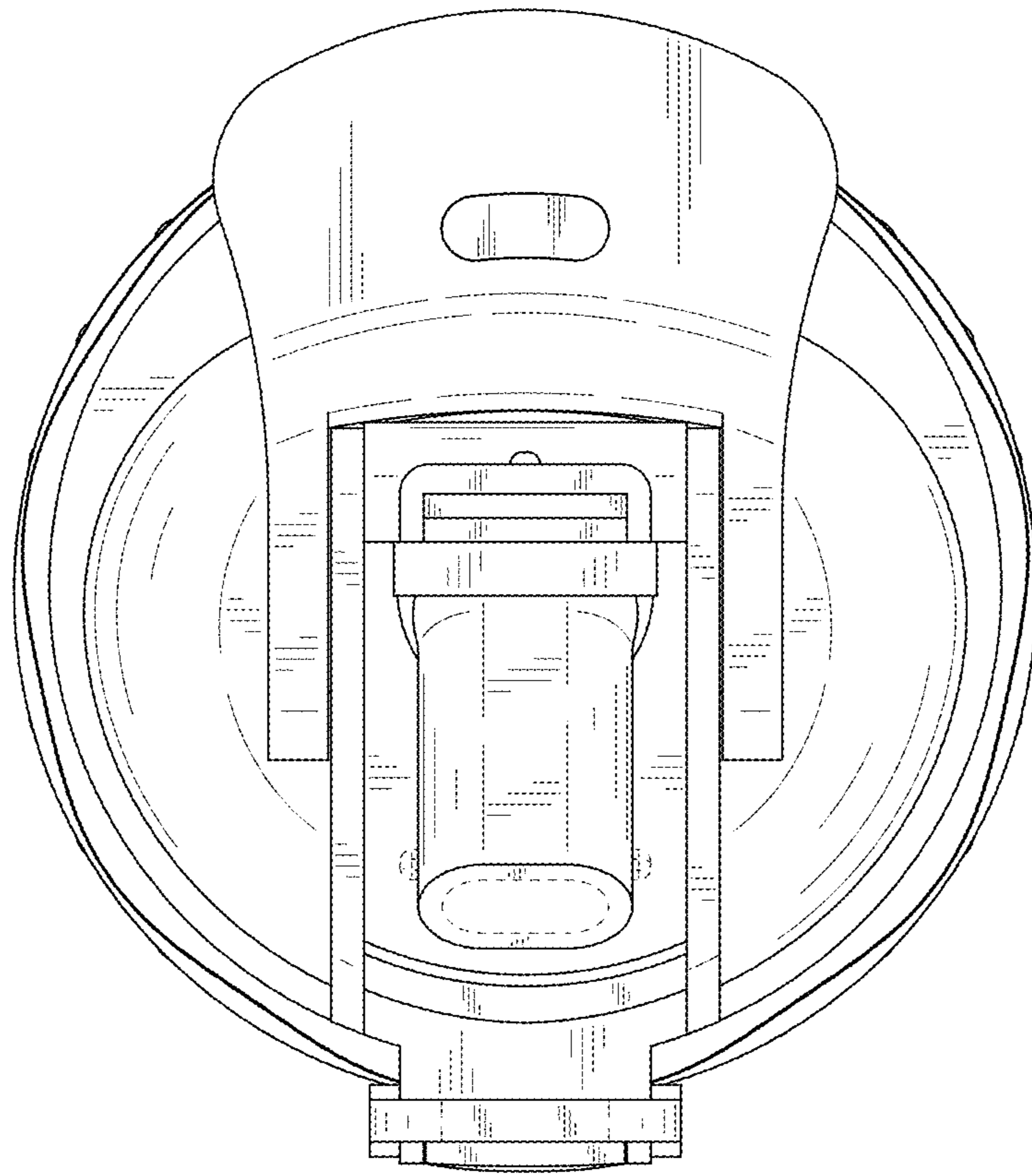


FIG. 7

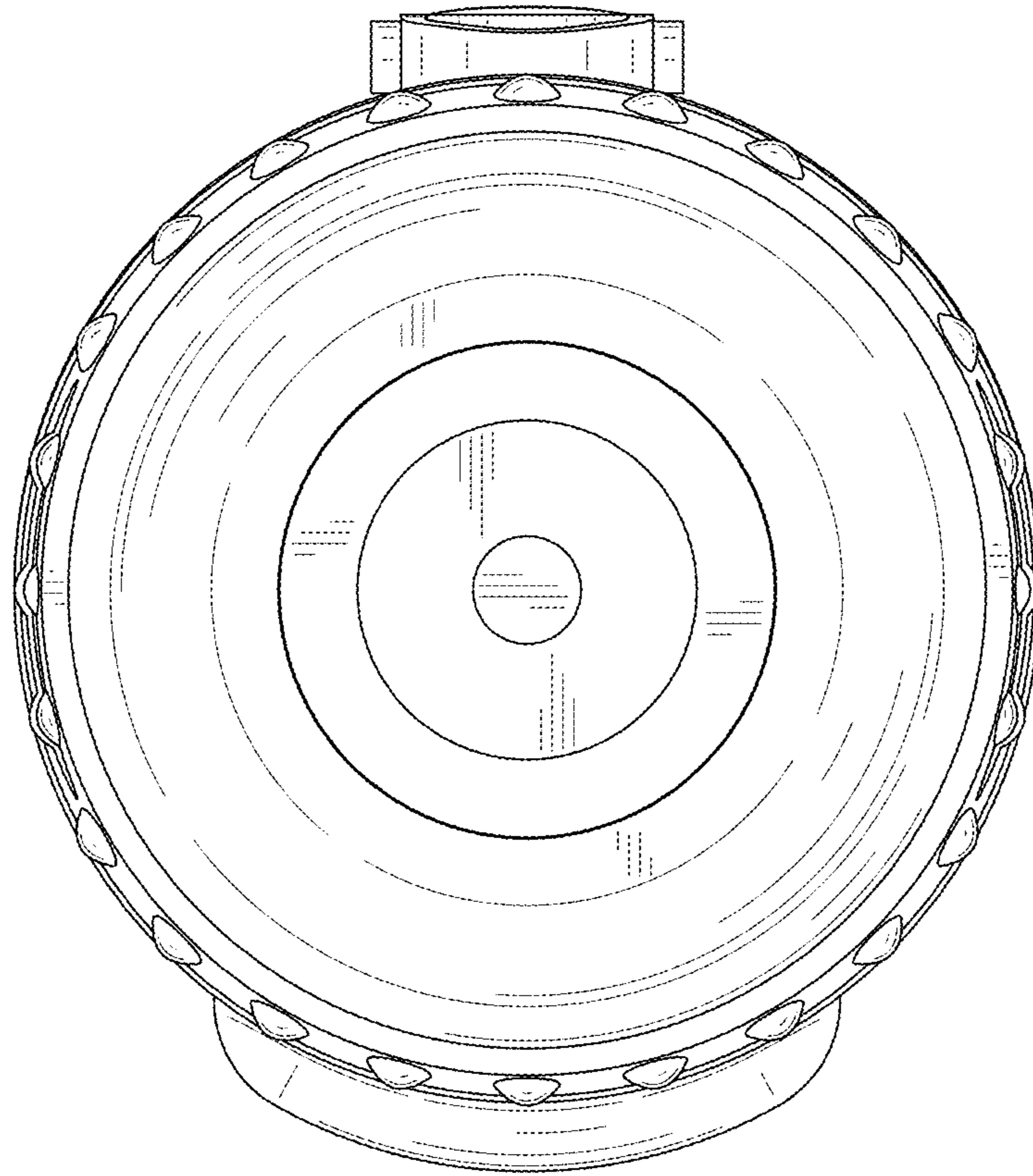


FIG. 8

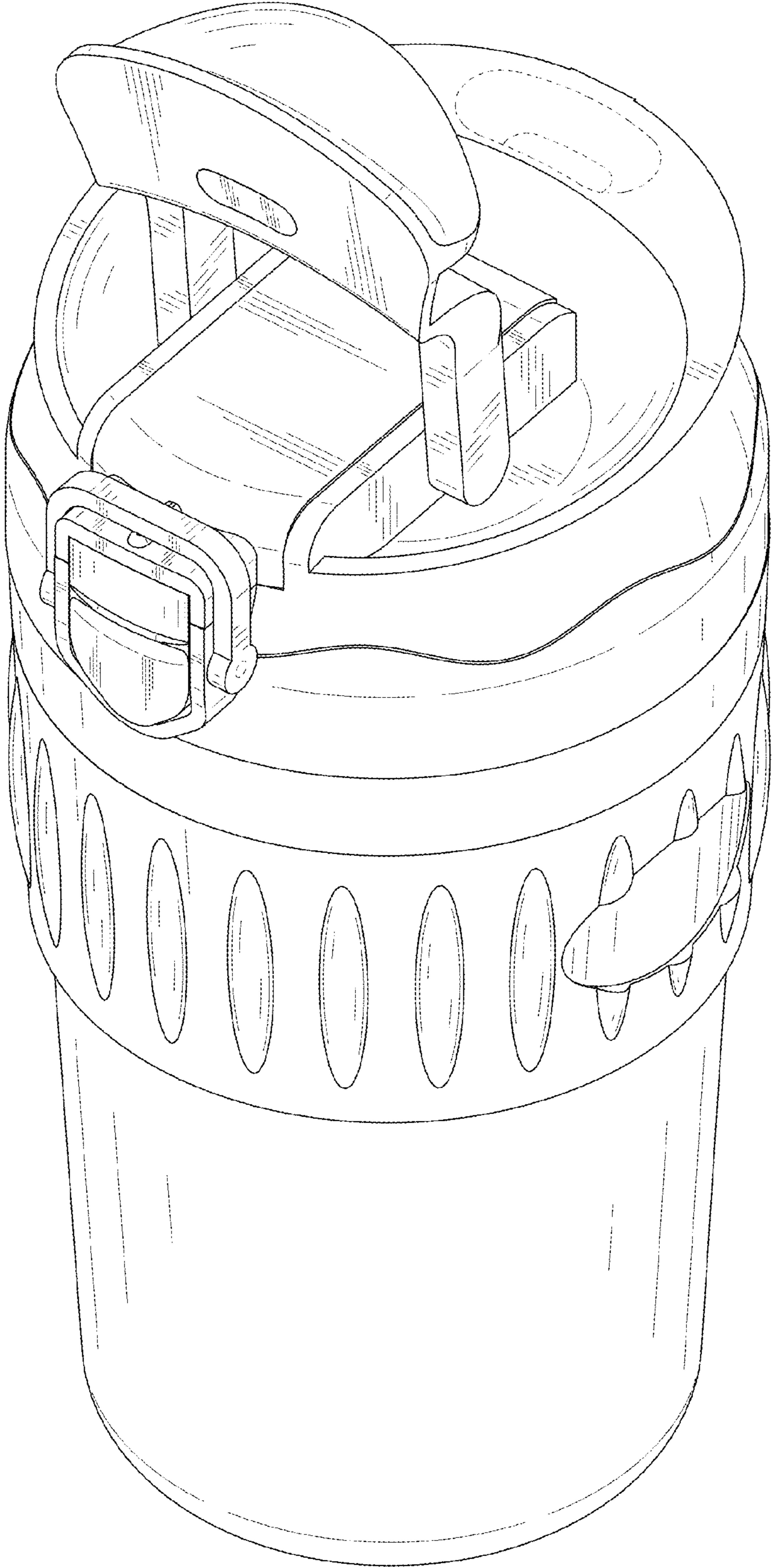


FIG. 9

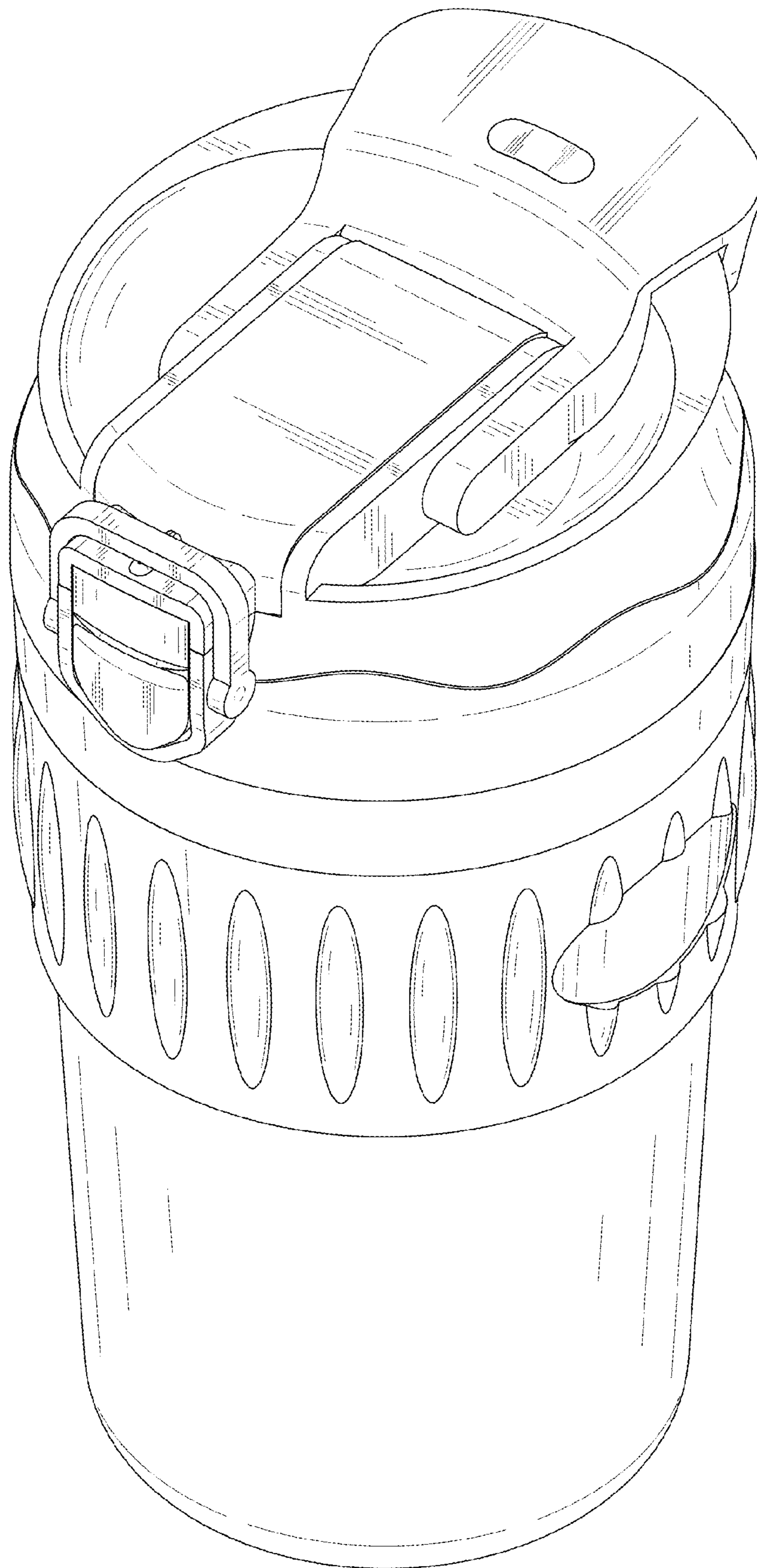


FIG. 10