



US00D954500S

(12) **United States Design Patent**  
**Zhang**

(10) **Patent No.:** **US D954,500 S**  
(45) **Date of Patent:** **\*\* Jun. 14, 2022**

- (54) **RACK**
- (71) Applicant: **Siduo Zhang**, Guangdong (CN)
- (72) Inventor: **Siduo Zhang**, Guangdong (CN)
- (73) Assignee: **GUANGZHOU BAOMEI NETWORK TECHNOLOGY CO., LTD.**, Guangzhou (CN)
- (\*\*) Term: **15 Years**
- (21) Appl. No.: **29/794,959**
- (22) Filed: **Jun. 16, 2021**
- (51) **LOC (13) Cl.** ..... **07-02**
- (52) **U.S. Cl.**  
USPC ..... **D7/409**
- (58) **Field of Classification Search**  
USPC ..... D7/323, 332, 335-337, 354-355, D7/359-364, 387-388, 402, 407-409, 704  
CPC .... A21B 2/00; A21B 3/00; A21B 3/13; A21B 3/15; A21B 3/155; A21B 5/00; A21B 5/02; A23N 12/06; A23N 12/08; A23N 12/10; A47J 37/00; A47J 37/04; A47J 37/041; A47J 37/042; A47J 37/06; A47J 37/0688; A47J 37/0694; A47J 37/07; A47J 37/0704; A47J 37/0763; A47J 37/0786; A47J 37/10; A47J 47/20; A47J 2037/00; A47J 2037/06; A47J 2037/0611; A47J 2037/07; A47J 2037/0786; A47J 2037/0795; F24B 1/205; F24C 1/16; F24C 15/10; F24C 15/12; F24C 15/14; F24C 15/16; F24C 15/18; F24C 15/164  
See application file for complete search history.

- (56) **References Cited**  
U.S. PATENT DOCUMENTS  
2,986,138 A \* 5/1961 Moore ..... A47J 37/0704  
126/25 A  
D191,186 S \* 8/1961 Maki ..... D7/336

- 4,206,741 A \* 6/1980 Prigge ..... A47J 37/0763  
126/25 A
- 4,432,334 A \* 2/1984 Holt ..... A47J 37/0694  
99/449
- 4,688,543 A \* 8/1987 Kopke ..... F24B 1/205  
126/29
- 4,782,813 A \* 11/1988 Kopke ..... F24B 1/205  
126/29
- 5,819,718 A \* 10/1998 Leiser ..... F24C 1/16  
126/30
- D650,227 S \* 12/2011 Walker ..... D7/354
- D700,476 S \* 3/2014 Greer ..... D7/409
- D716,609 S \* 11/2014 Greer ..... D7/409
- D766,037 S \* 9/2016 Johnston ..... D7/409
- D842,649 S \* 3/2019 Mishan ..... D7/409
- 10,827,877 B2 \* 11/2020 Cohan ..... A47J 37/0786

(Continued)

**OTHER PUBLICATIONS**

Picowe 4Pack 8inch Cooling Racks. Date First Available on Amazon.com Aug. 19, 2020. <https://www.amazon.com/dp/B08G8JLBR/ref> (Year: 2020).\*

*Primary Examiner* — Ricky Pham

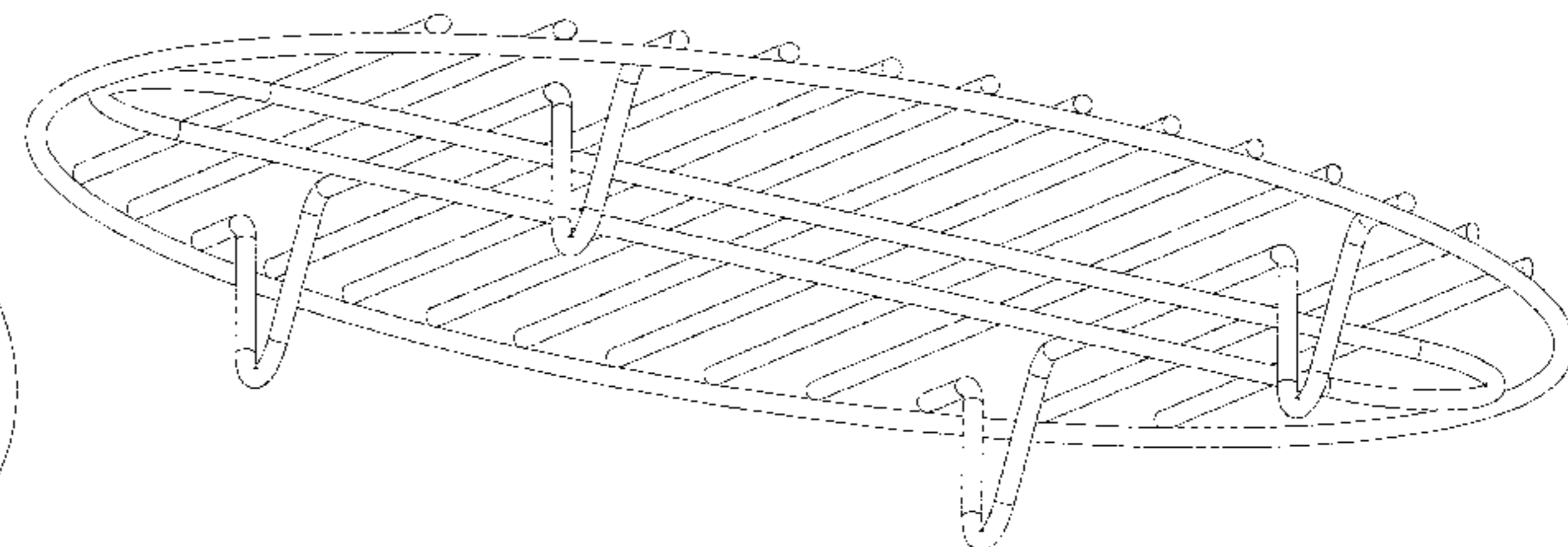
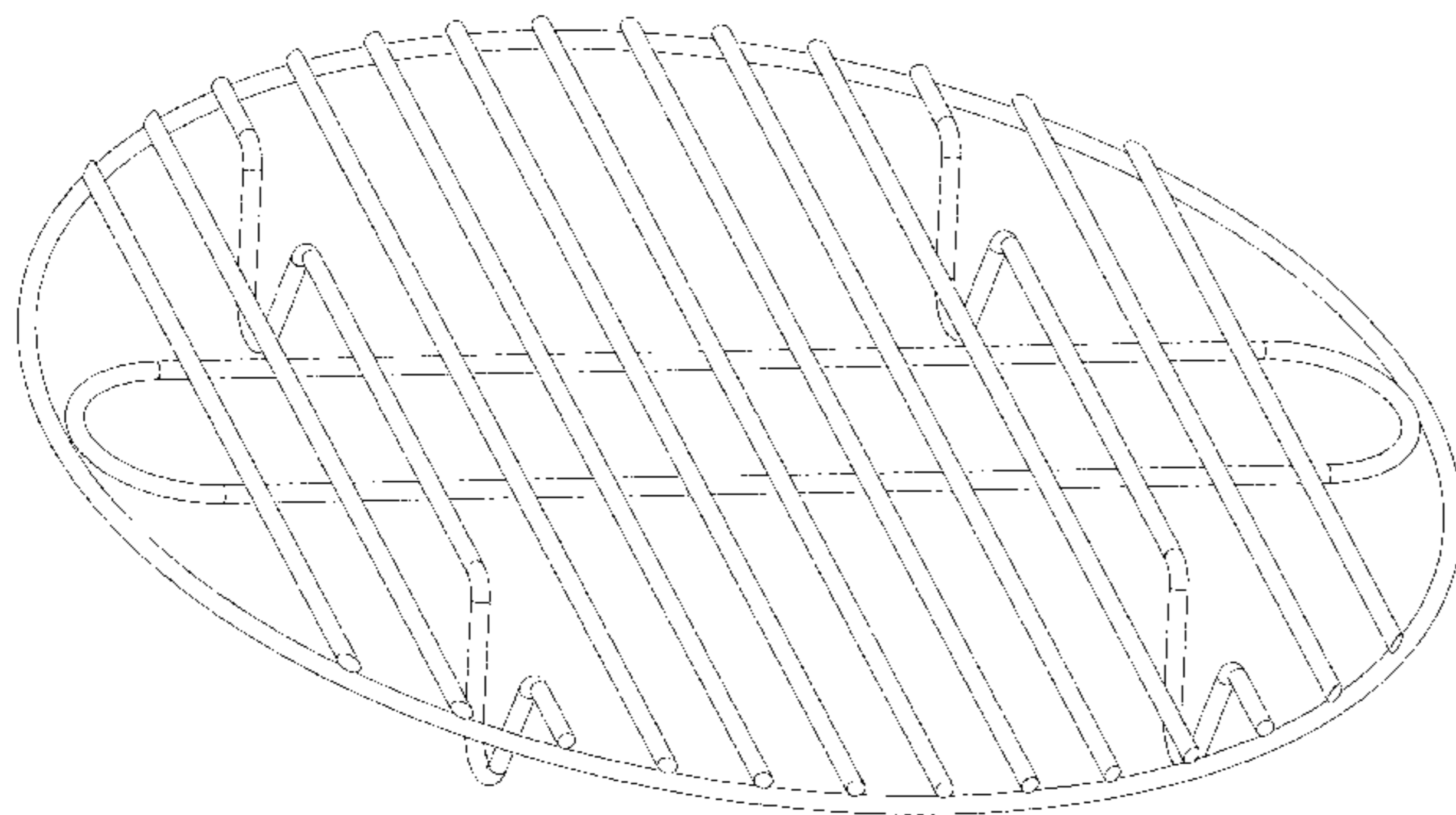
(57) **CLAIM**

The ornamental design for a rack, as shown and described.

**DESCRIPTION**

FIG. 1 is a top, front, left side perspective view of a rack showing my new design;  
FIG. 2 is a bottom, front, left side perspective view thereof;  
FIG. 3 is a front elevation view thereof, the rear elevation view being a mirror image of the front elevation view;  
FIG. 4 is an enlarged left side elevation view thereof, the right side elevation view being a mirror image of the enlarged left side elevation view;  
FIG. 5 is a top plan view thereof; and,  
FIG. 6 is a bottom plan view thereof.

**1 Claim, 5 Drawing Sheets**



(56)

**References Cited**

U.S. PATENT DOCUMENTS

D905,483 S 12/2020 Giorghie  
D911,466 S 2/2021 Dunahay

\* cited by examiner

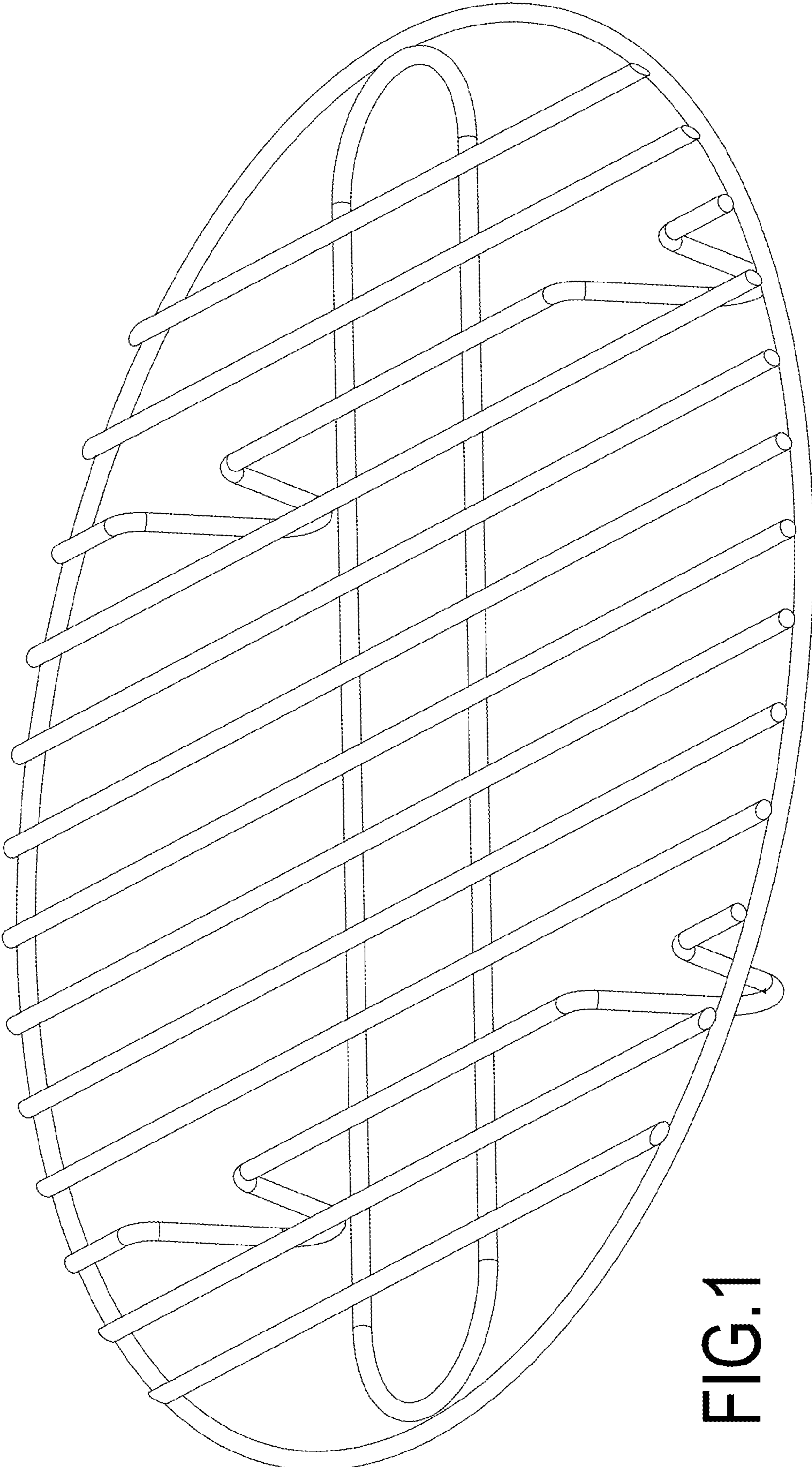


FIG.1

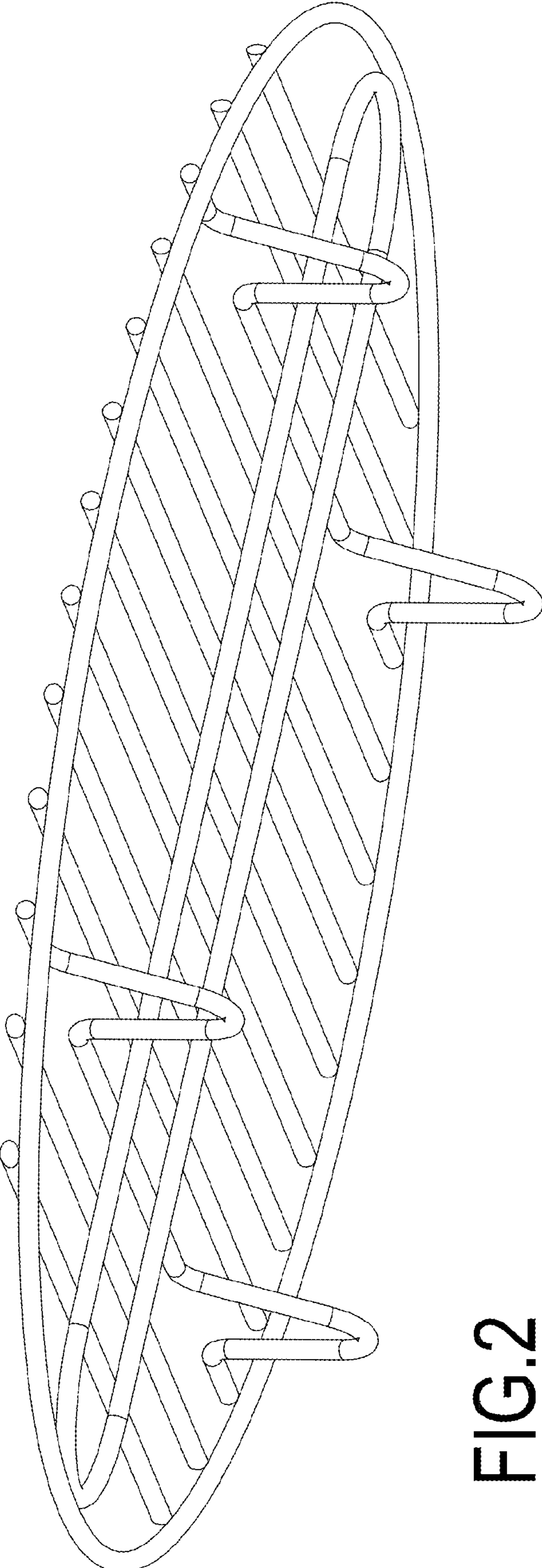


FIG.2

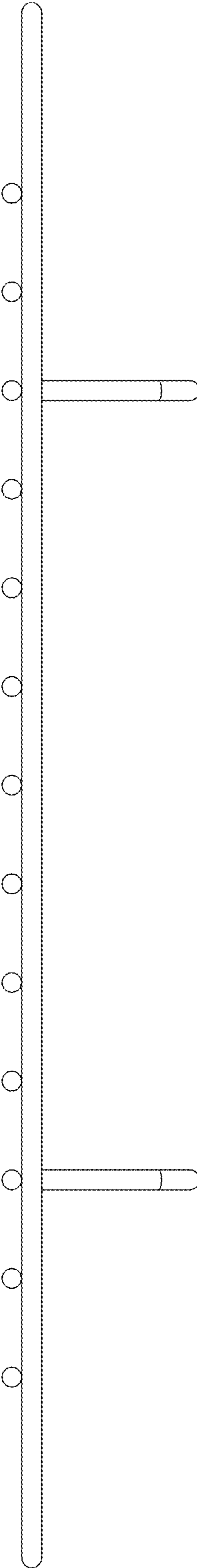


FIG.3

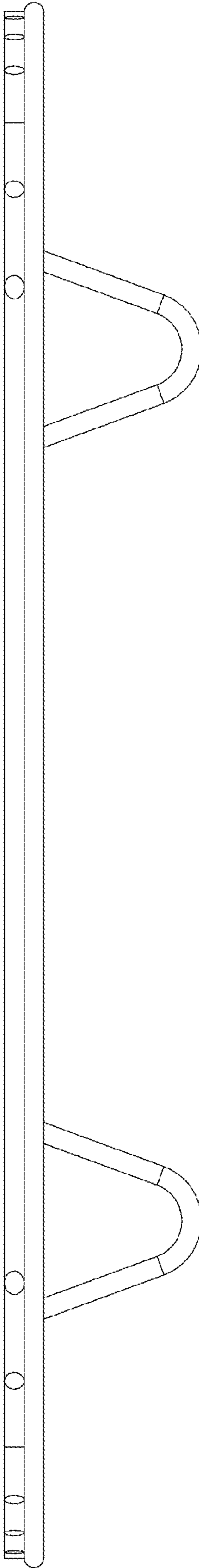


FIG.4

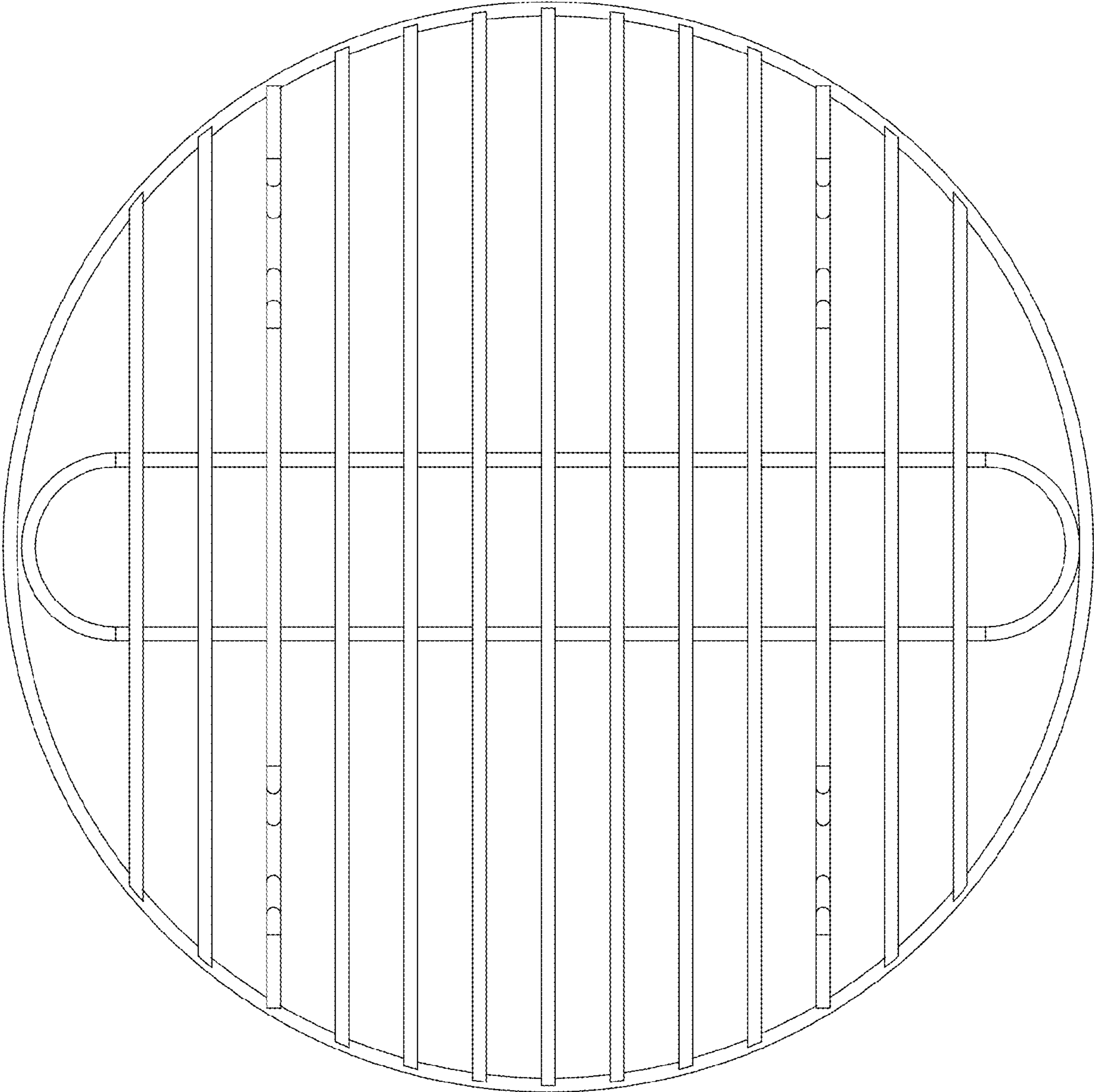


FIG.5

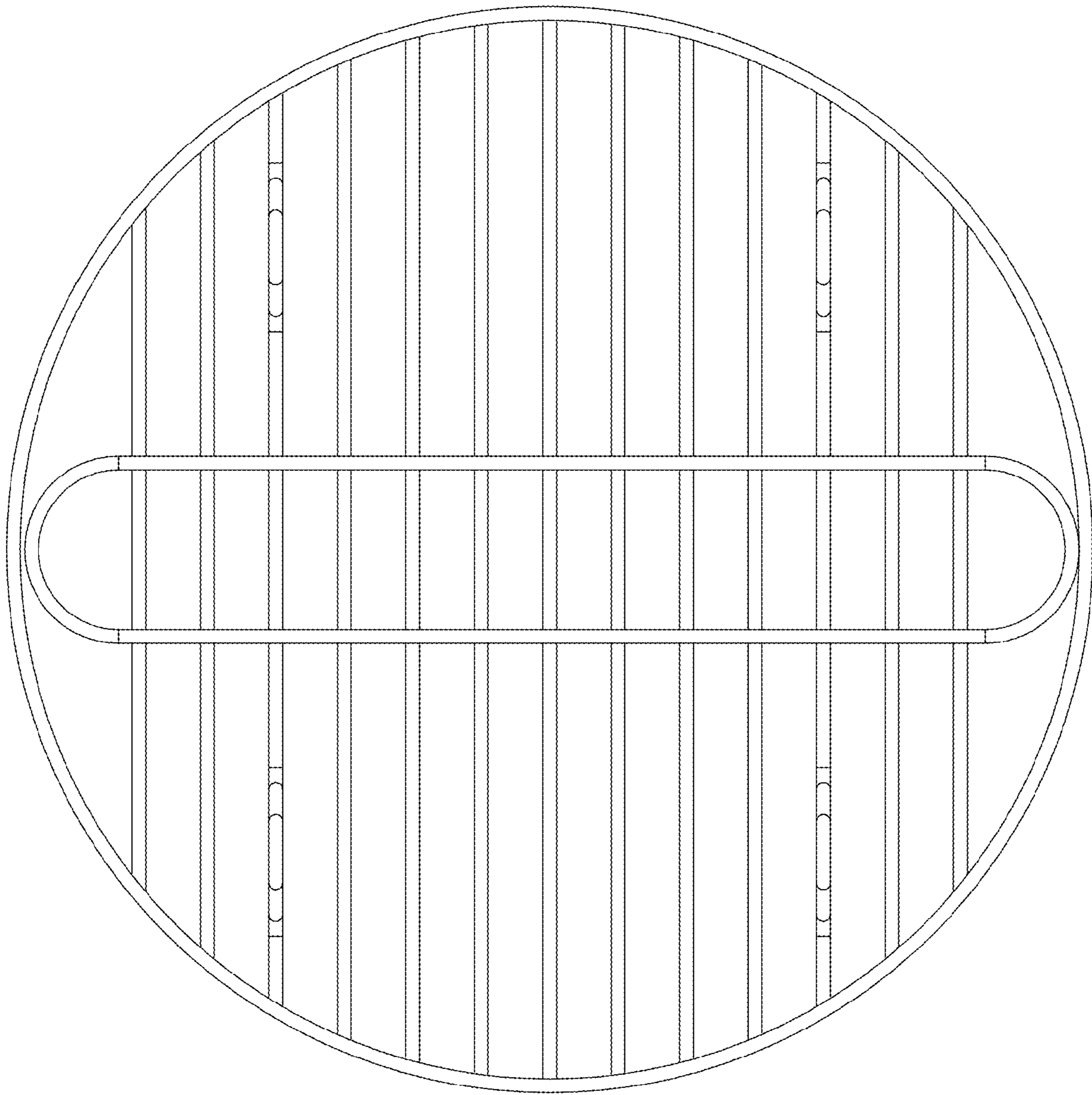


FIG.6