



US00D954497S

(12) **United States Design Patent**
Roberts

(10) **Patent No.:** **US D954,497 S**

(45) **Date of Patent:** **** Jun. 14, 2022**

(54) **LID FOR DRINKING BOTTLE**

(71) Applicant: **James Christopher Roberts**, St Martin (JE)

(72) Inventor: **James Christopher Roberts**, St Martin (JE)

(73) Assignee: **Flashbay Electronics Hong Kong Limited**, Hong Kong (HK)

(**) Term: **15 Years**

(21) Appl. No.: **29/732,998**

(22) Filed: **Apr. 29, 2020**

(51) **LOC (13) Cl.** **07-99**

(52) **U.S. Cl.**

USPC **D7/396.2**; D9/443; D9/447; D7/392.1

(58) **Field of Classification Search**

USPC D7/391, 392, 392.1, 396.2; D9/434–436, D9/439, 440, 443–447, 449, 452, 454, D9/499

CPC B65D 2543/00046; B65D 2543/00092; B65D 2543/00537; B65D 47/06; B65D 47/08; B65D 47/242; B65D 47/103; B65D 43/16; B65D 43/0222; B65D 51/242; A47G 19/22; A47G 19/2205; A47G 19/2272

See application file for complete search history.

(56) **References Cited**

U.S. PATENT DOCUMENTS

D495,599 S	*	9/2004	Biesecker	D7/391
D503,886 S	*	4/2005	Biesecker	D7/391
D657,194 S	*	4/2012	McIntire	D7/510
D691,420 S	*	10/2013	McIntire	D7/510
D762,473 S	*	8/2016	Willows	D9/447
D771,490 S	*	11/2016	Junkel	D9/447
D784,084 S	*	4/2017	Bartlett	D7/511
D802,360 S	*	11/2017	Rummel	D7/392.1
D830,118 S	*	10/2018	Ksiazek	D7/392.1

D834,368 S	*	11/2018	Oas	D7/392.1
D872,520 S	*	1/2020	Waggoner	D7/392.1
D887,204 S	*	6/2020	Palin	D7/396.2
D907,955 S	*	1/2021	Massucco	D7/392.1
D943,416 S	*	2/2022	Kim	D9/447
D945,210 S	*	3/2022	Ni	D7/392.1
D946,965 S	*	3/2022	Sapire	D7/392.1
2005/0139622 A1	*	6/2005	Saulle	B65D 51/2842 222/541.1
2007/0062973 A1	*	3/2007	Sochacki	A45F 3/16 222/175
2007/0068944 A1	*	3/2007	McKinney	A45F 5/00 220/256.1

OTHER PUBLICATIONS

NY Times Wirecutter. The 8 Best Water Bottles. Aug. 9, 2021. <https://www.nytimes.com/wirecutter/reviews/best-water-bottle/> (Year: 2021).*

* cited by examiner

Primary Examiner — Darcey E Gottschalk

(57) **CLAIM**

The ornamental design for a lid for drinking bottle, as shown and described.

DESCRIPTION

FIG. 1 is a top view of the lid for drinking bottle. FIG. 2 is a bottom view of the lid for drinking bottle. FIG. 3 is a right side view of the lid for drinking bottle, the left side being a mirror image thereof. FIG. 4 is a front view of the lid for drinking bottle. FIG. 5 is a rear view of the lid for drinking bottle. FIG. 6 is a front, top, right side perspective of the lid for drinking bottle; and, FIG. 7 is a rear, bottom, right side perspective of the lid for drinking bottle. The portions of the lid for drinking bottle shown in broken lines form no part of the claimed design.

1 Claim, 1 Drawing Sheet

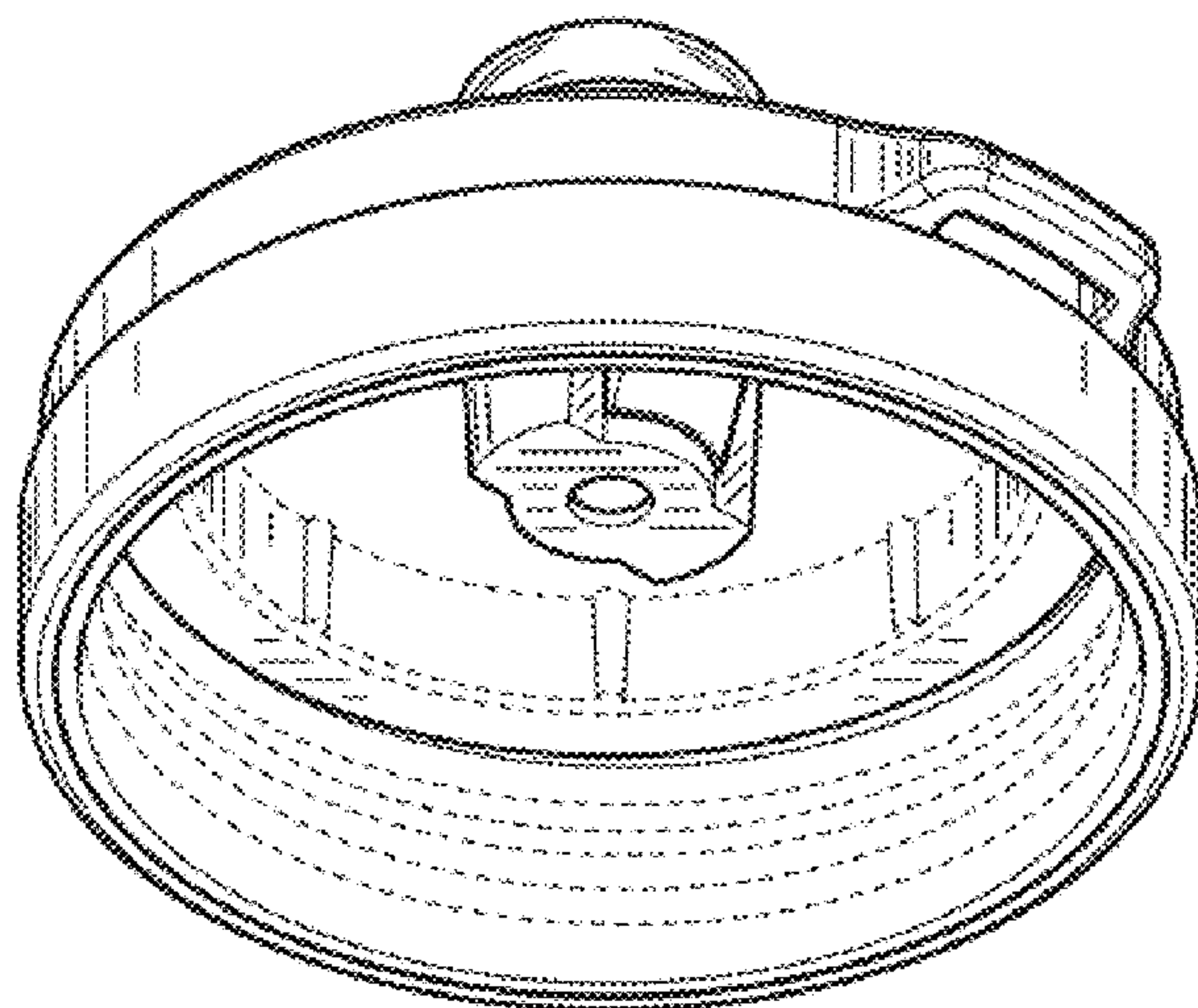
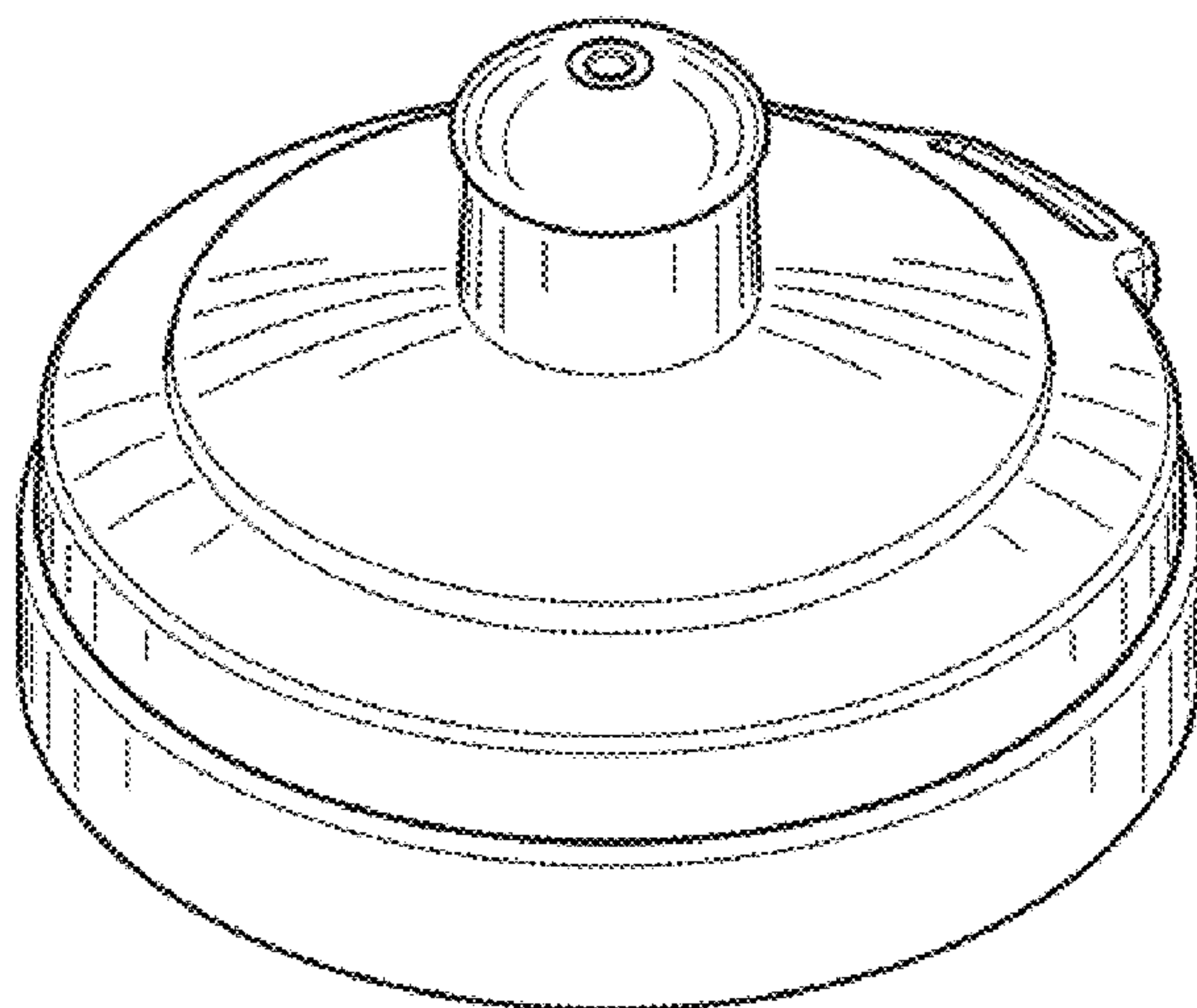


FIG.1

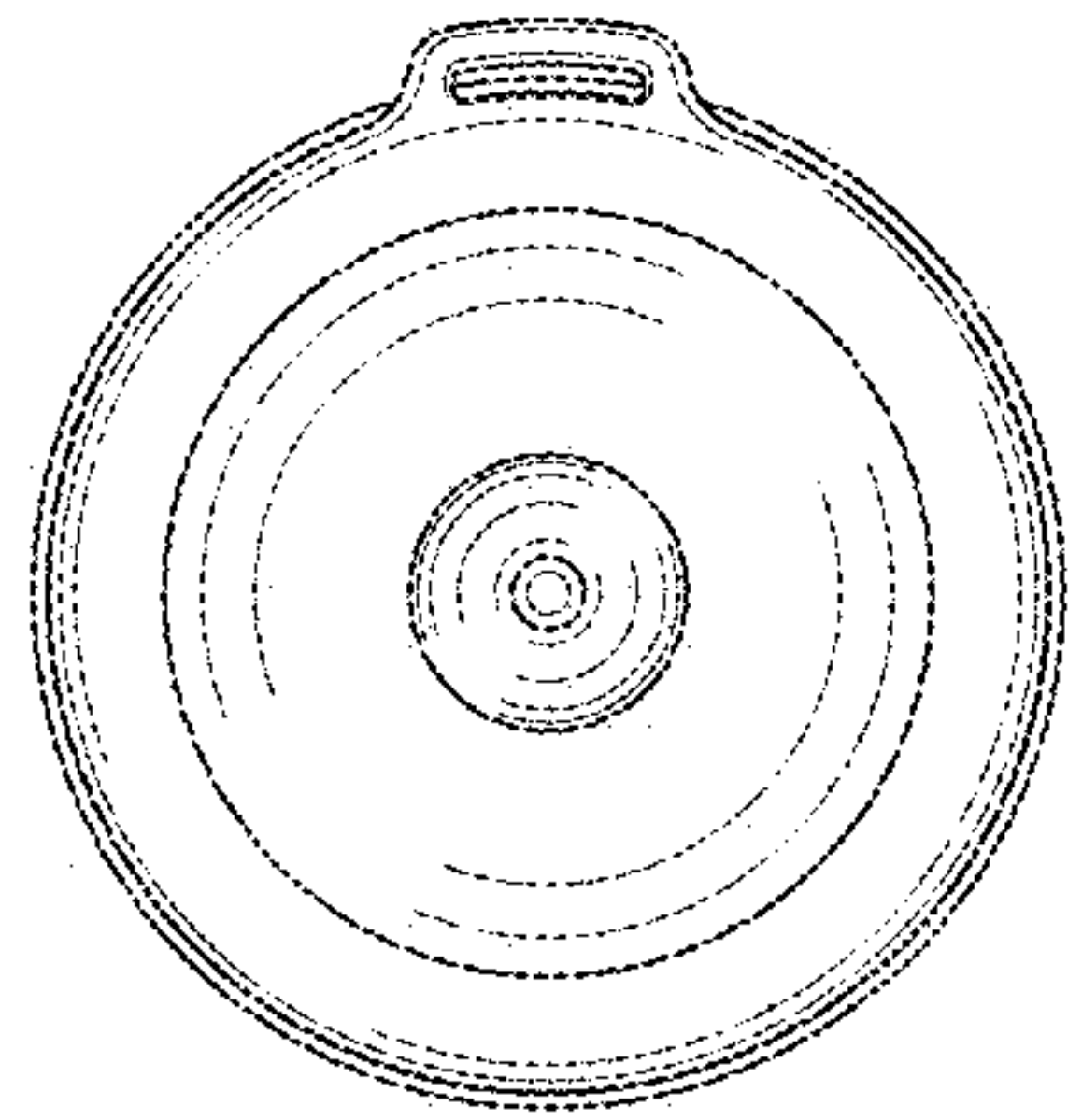


FIG.2

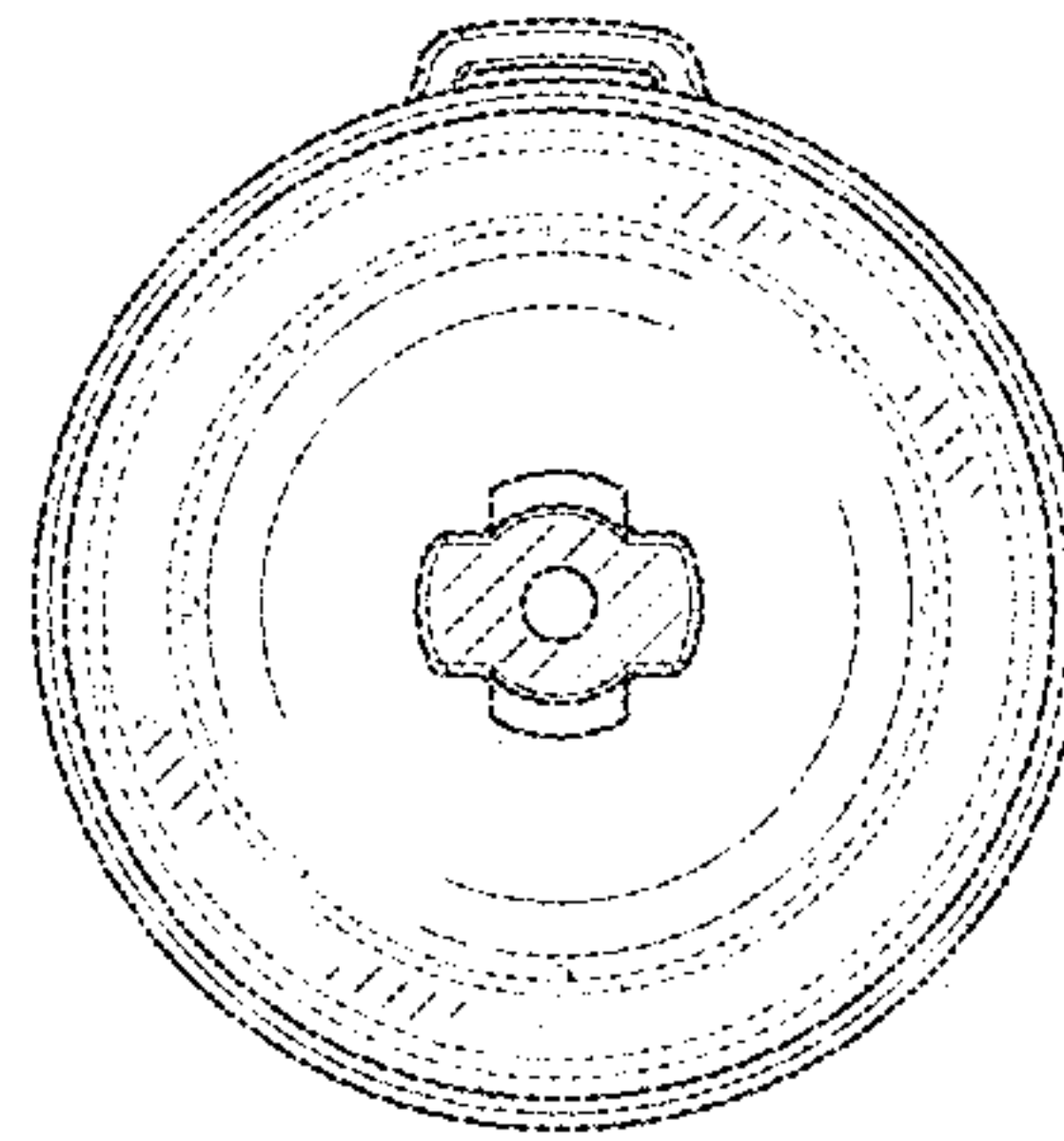


FIG.3

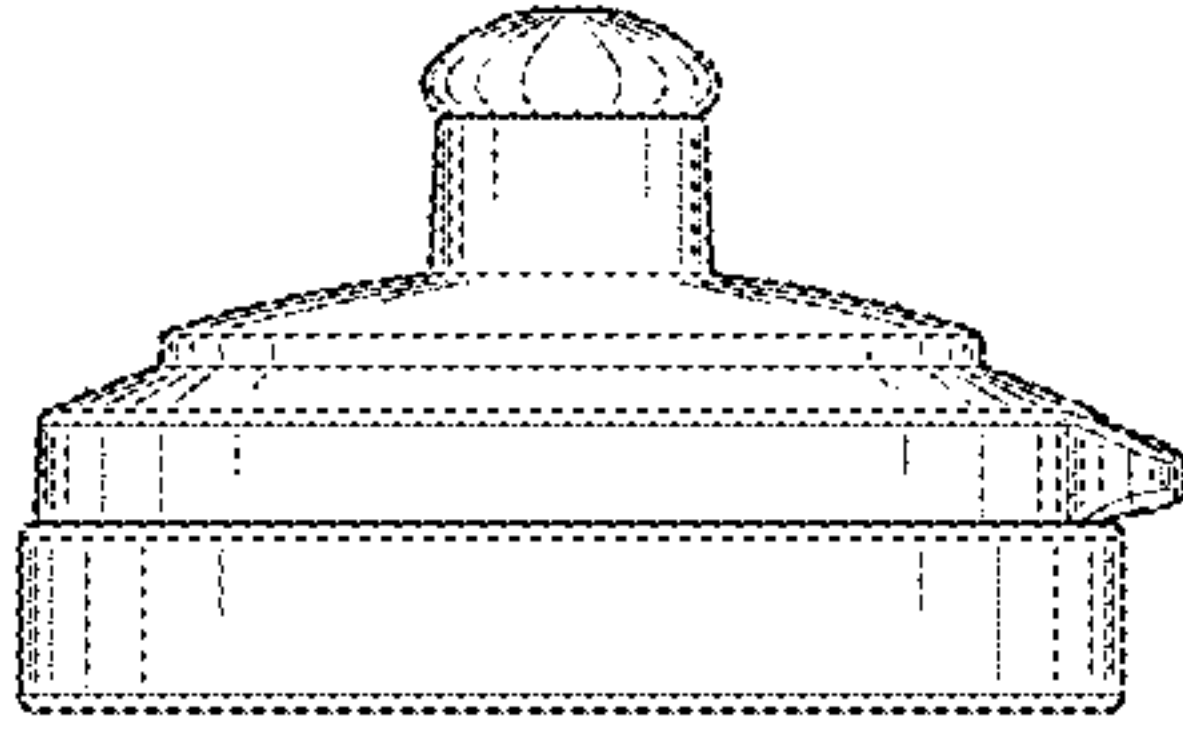


FIG.4

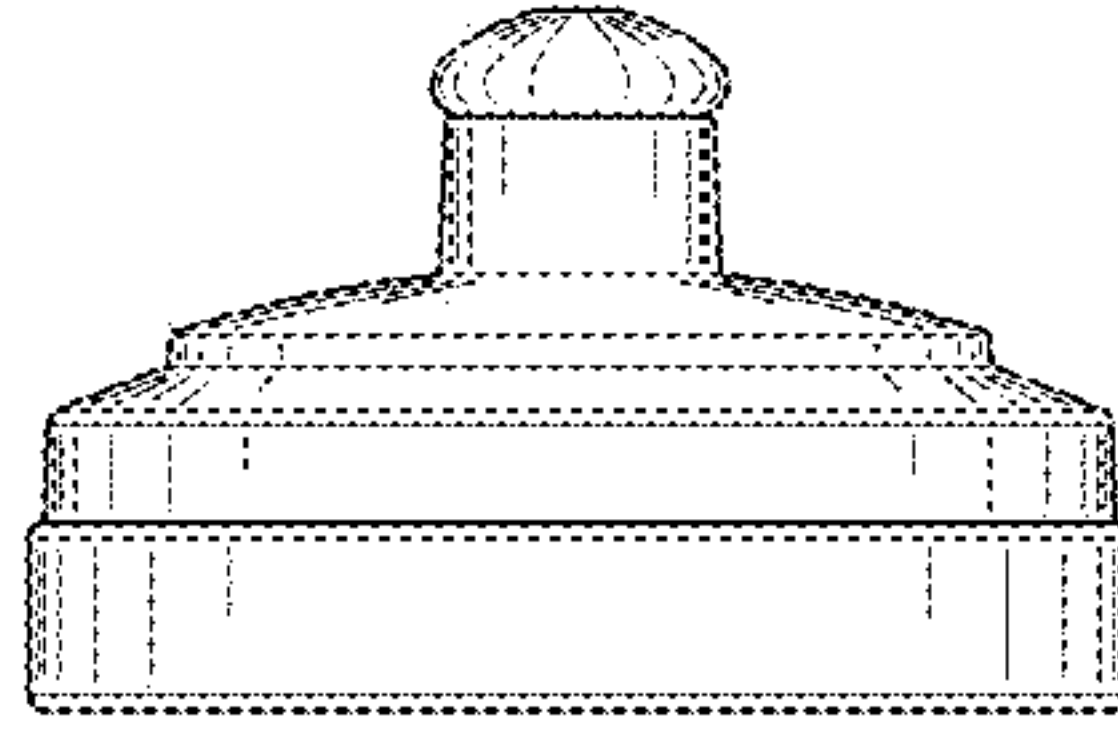


FIG.5

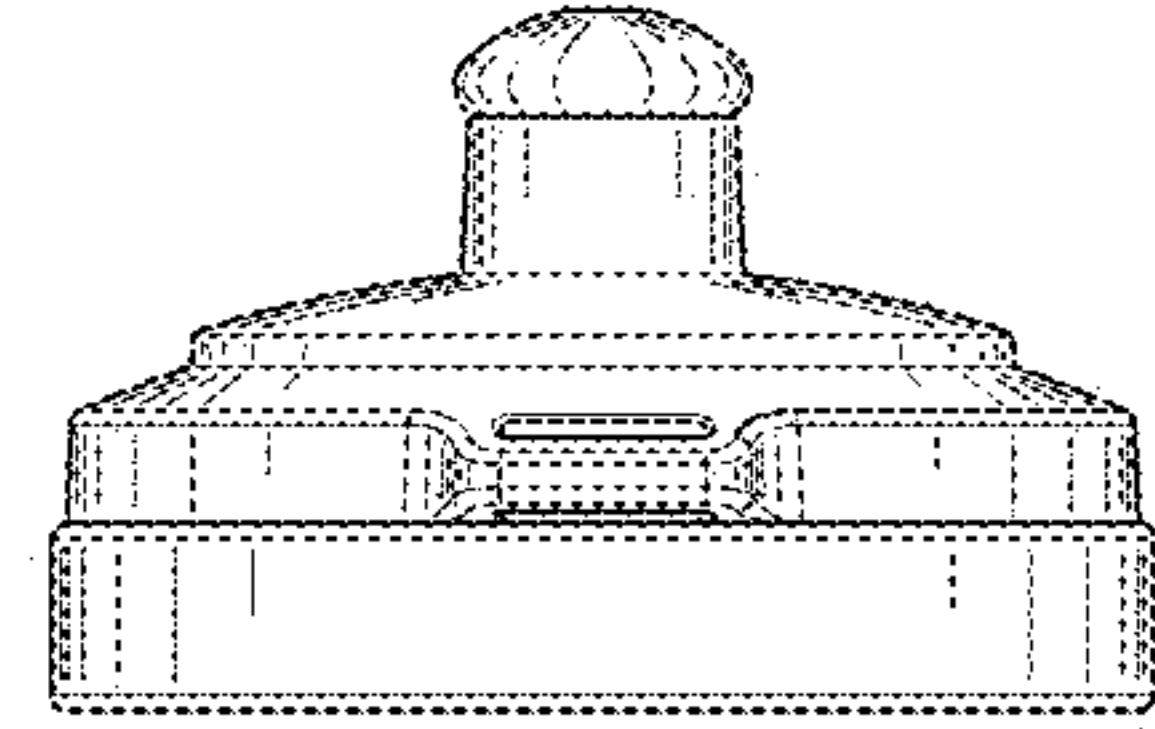


FIG.6

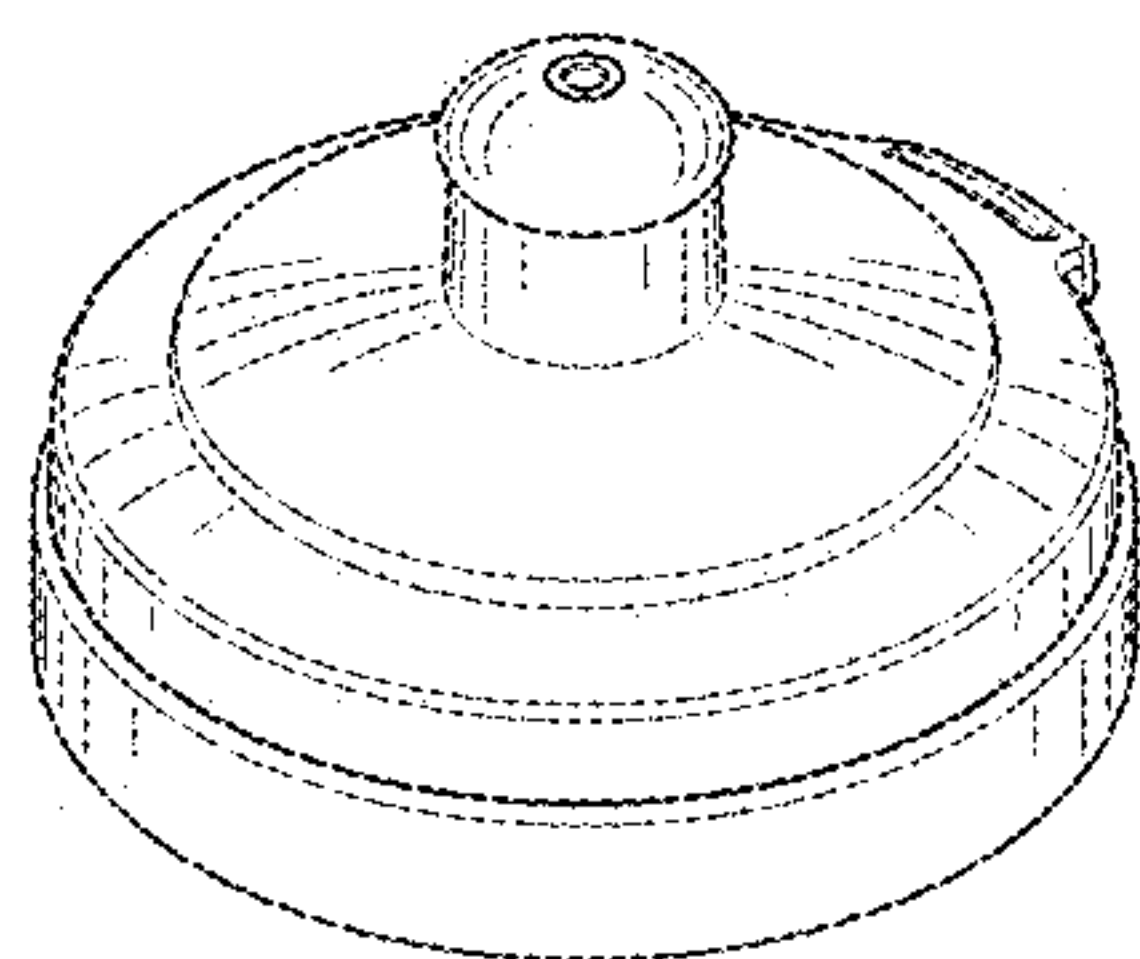


FIG.7

