



US00D954496S

(12) **United States Design Patent**  
**Roberts**

(10) **Patent No.:** **US D954,496 S**  
(45) **Date of Patent:** **\*\* Jun. 14, 2022**

- (54) **LID FOR DRINKING BOTTLE**
- (71) Applicant: **James Christopher Roberts**, St Martin (JE)
- (72) Inventor: **James Christopher Roberts**, St Martin (JE)
- (73) Assignee: **Flashbay Electronics Hong Kong Limited**, Hong Kong (HK)

D924,623	S	*	7/2021	McCabe	.....	D7/392.1
D928,556	S	*	8/2021	Gilmore, III	.....	D7/392
D934,025	S	*	10/2021	Silsby	.....	D7/392.1
D935,276	S	*	11/2021	Lane	.....	D7/511
D945,266	S	*	3/2022	Héctor González Salas	.	D9/449
2013/0319966	A1	*	12/2013	Lane	.....	A45F 3/18 215/237
2014/0034663	A1	*	2/2014	Konigseder	.....	B65D 43/22 220/835
2016/0347517	A1	*	12/2016	Ellenkamp-Van Olst	.....	G01F 11/082

(\*\*) Term: **15 Years**

(21) Appl. No.: **29/732,984**

(22) Filed: **Apr. 29, 2020**

(51) **LOC (13) Cl.** ..... **07-99**

(52) **U.S. Cl.**  
USPC ..... **D7/396.2**; D9/447; D9/449; D7/392.1

(58) **Field of Classification Search**  
USPC ..... D7/391, 392, 392.1, 396.2; D9/434–436, D9/439, 440, 443–447, 449, 452, 454, D9/499  
CPC ..... B65D 2543/00046; B65D 2543/00092; B65D 2543/00537; B65D 47/06; B65D 47/08; B65D 47/242; B65D 47/103; B65D 43/16; B65D 43/0222; B65D 51/242; A47G 19/22; A47G 19/2205; A47G 19/2272

See application file for complete search history.

(56) **References Cited**

**U.S. PATENT DOCUMENTS**

D739,183	S	*	9/2015	Lane	.....	D7/605
D785,402	S	*	5/2017	Shirley	.....	D7/392.1
D794,453	S	*	8/2017	Boroski	.....	D9/449
D863,878	S	*	10/2019	Cortadellas	.....	D7/396.2
D904,884	S	*	12/2020	Wohlgenannt	.....	D9/445
D911,769	S	*	3/2021	McCabe	.....	D7/392.1
D913,035	S	*	3/2021	McCabe	.....	D7/392.1
D920,112	S	*	5/2021	Berge	.....	D9/449
D921,422	S	*	6/2021	McCabe	.....	D7/392.1
D923,399	S	*	6/2021	Egorov	.....	D7/396.2

**OTHER PUBLICATIONS**

Zulu. Ace 24 oz Vacuum Stainless Steel Water Bottle with Removable Base. No date specified. <https://www.zuluathletic.com/shop-all/ace-stainless-bottle-with-removable-base> (Year: 0).\*

\* cited by examiner

*Primary Examiner* — Darcey E Gottschalk

(57) **CLAIM**

The ornamental design for a lid for drinking bottle, as shown and described.

**DESCRIPTION**

FIG. 1 is a top view of the lid for drinking bottle.  
 FIG. 2 is a bottom view of the lid for drinking bottle.  
 FIG. 3 is a front view of the lid for drinking bottle.  
 FIG. 4 is a rear view of the lid for drinking bottle.  
 FIG. 5 is a right side view of the lid for drinking bottle, the left side being a mirror image thereof.  
 FIG. 6 is a front, top, right side perspective of the lid for drinking bottle.  
 FIG. 7 is a rear, bottom, right side perspective of the lid for drinking bottle; and,  
 FIG. 8 is a front, top, right side perspective of the lid for drinking bottle in the open position.  
 The portions of the lid for drinking bottle shown in broken lines form no part of the claimed design.

**1 Claim, 2 Drawing Sheets**

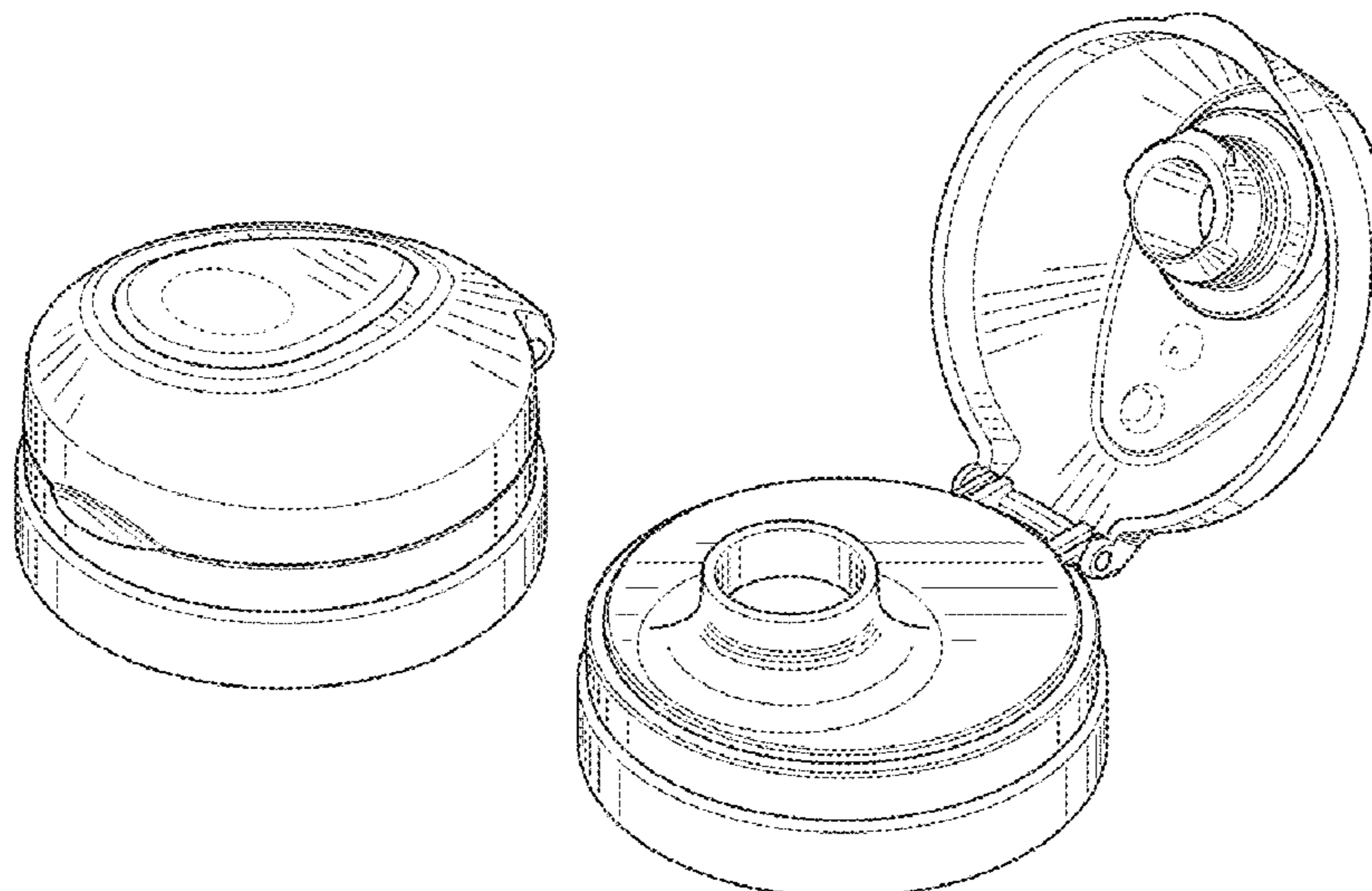


FIG.1

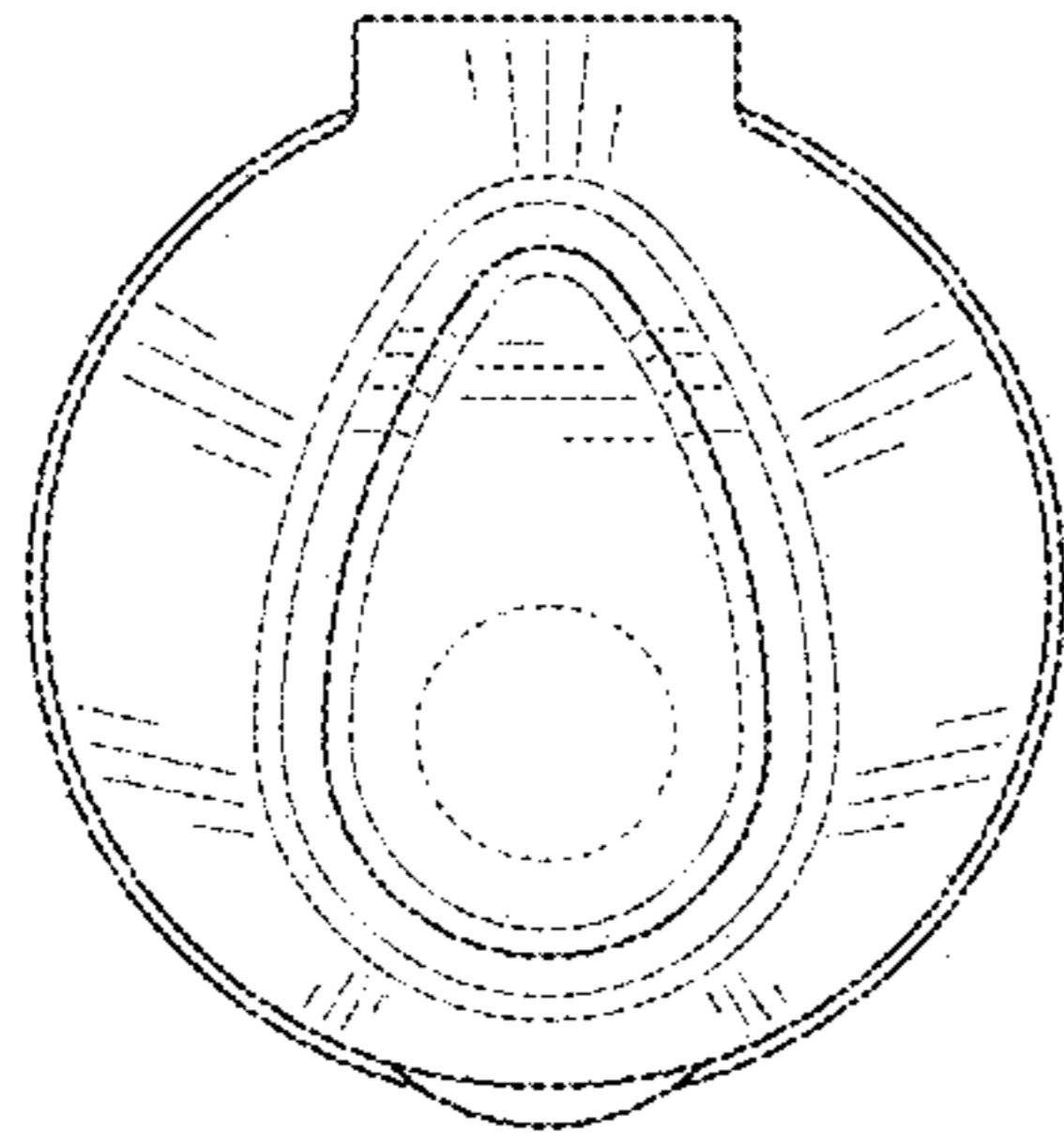


FIG.2

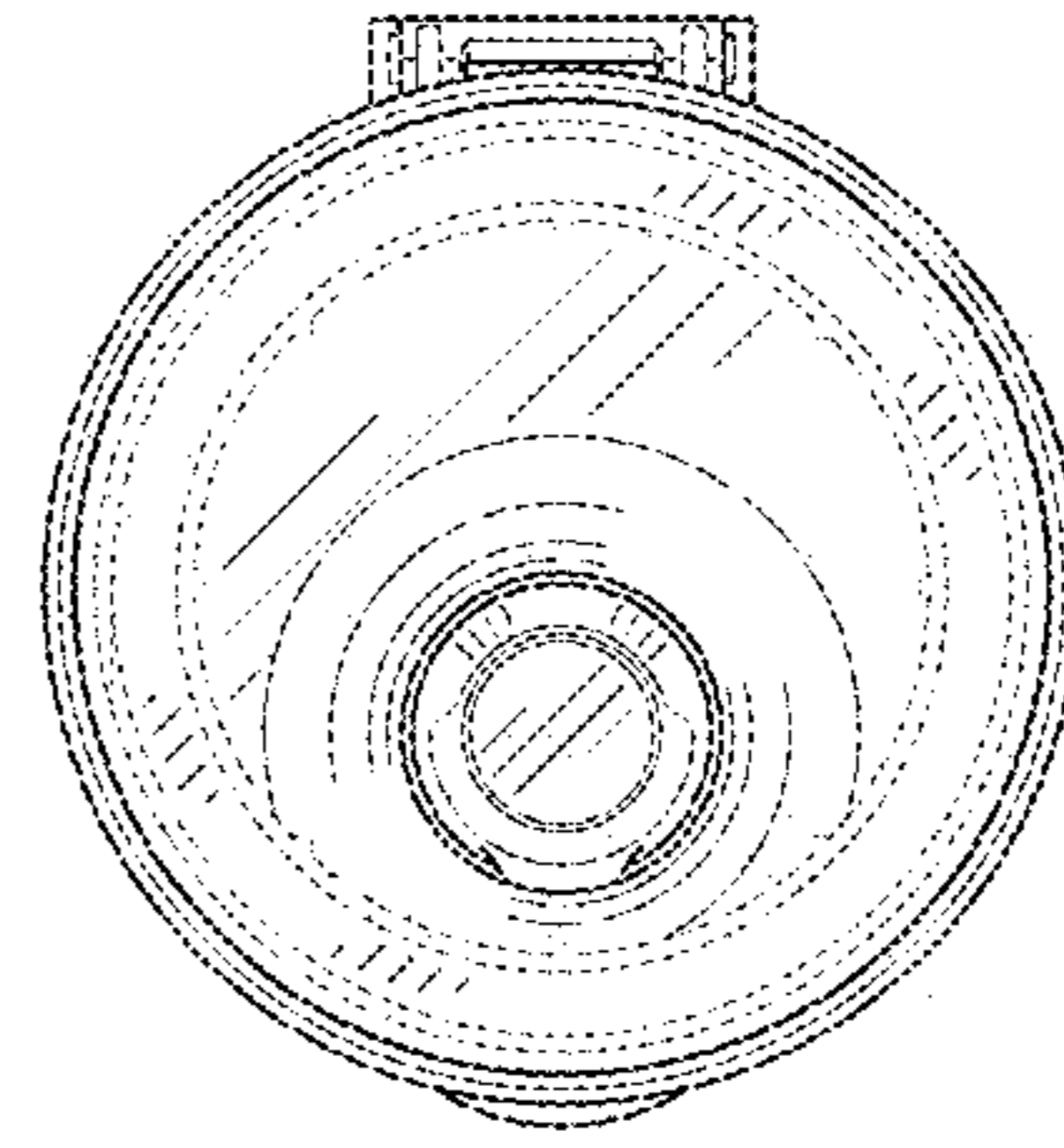


FIG.3

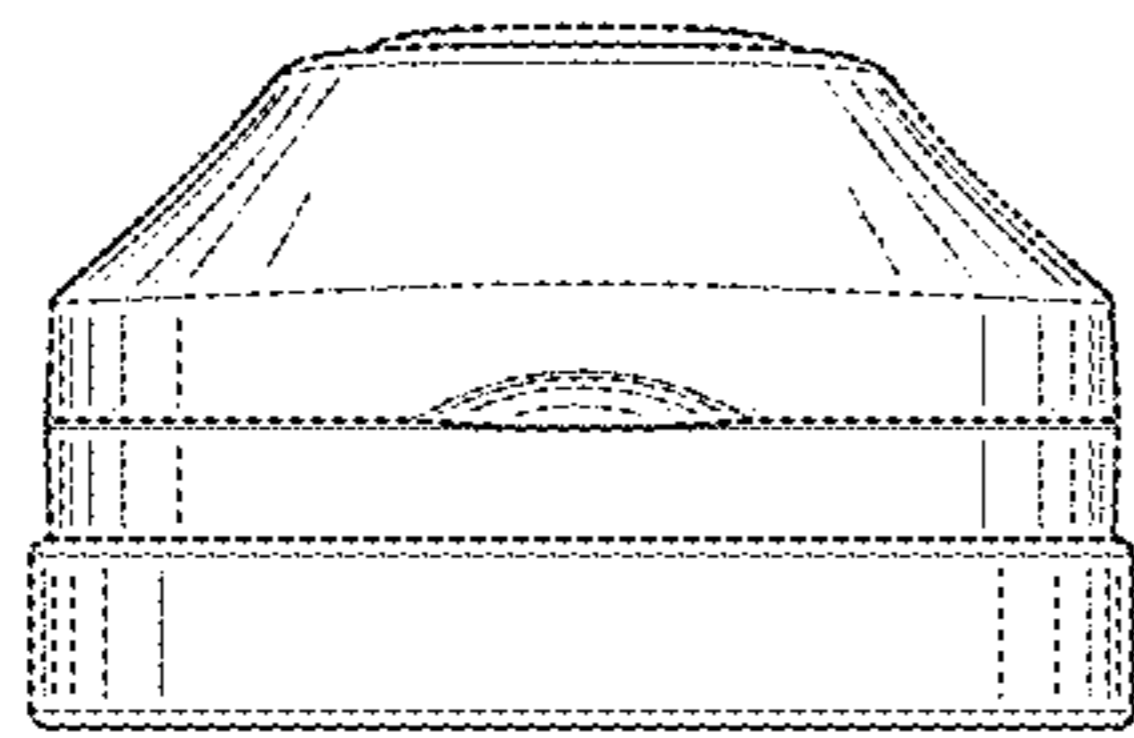


FIG.4

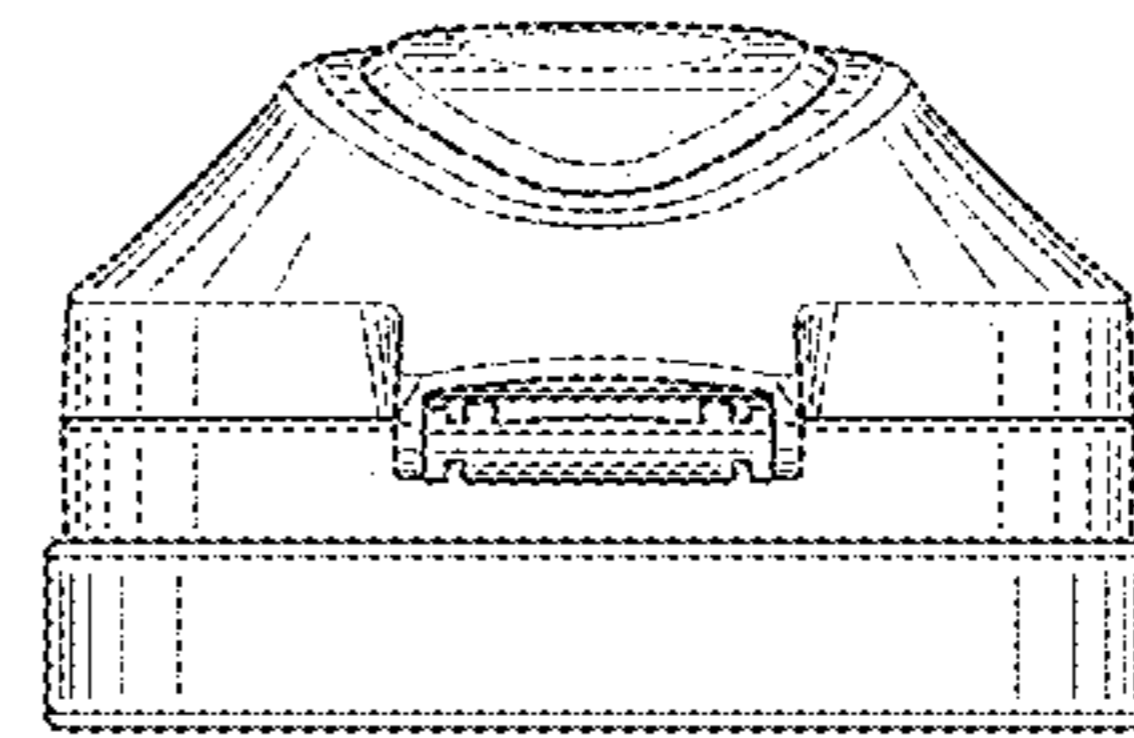


FIG.5

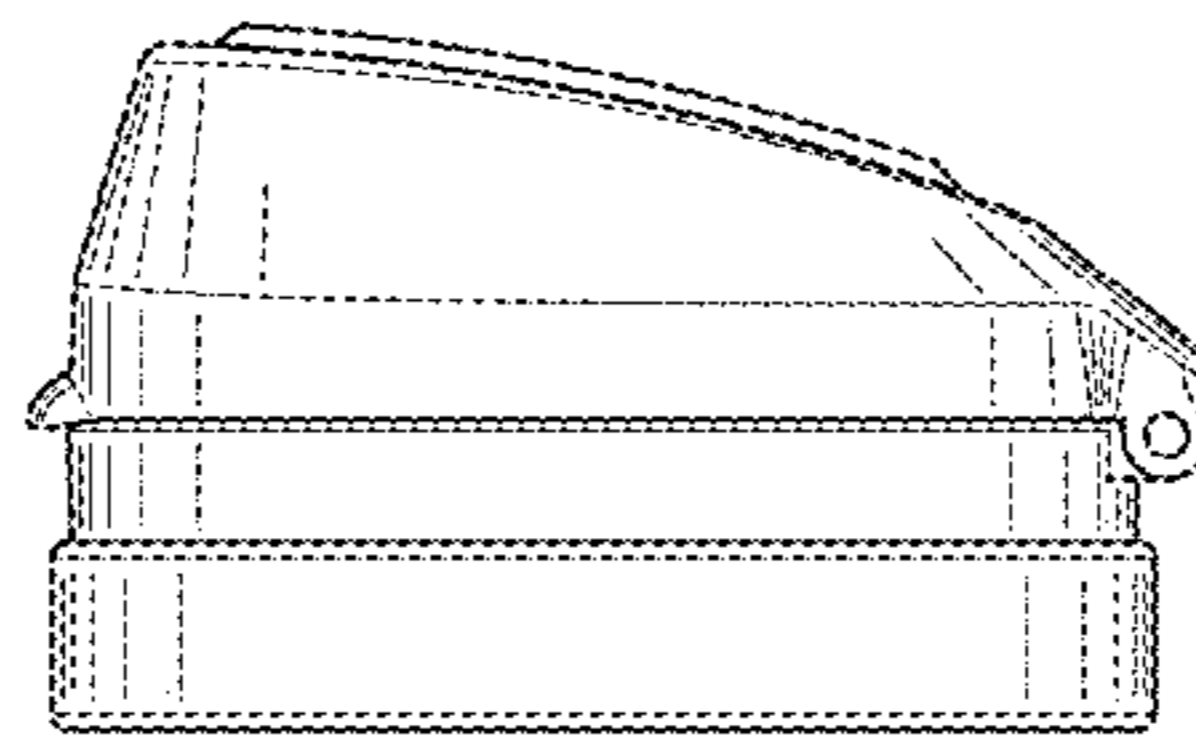


FIG.6

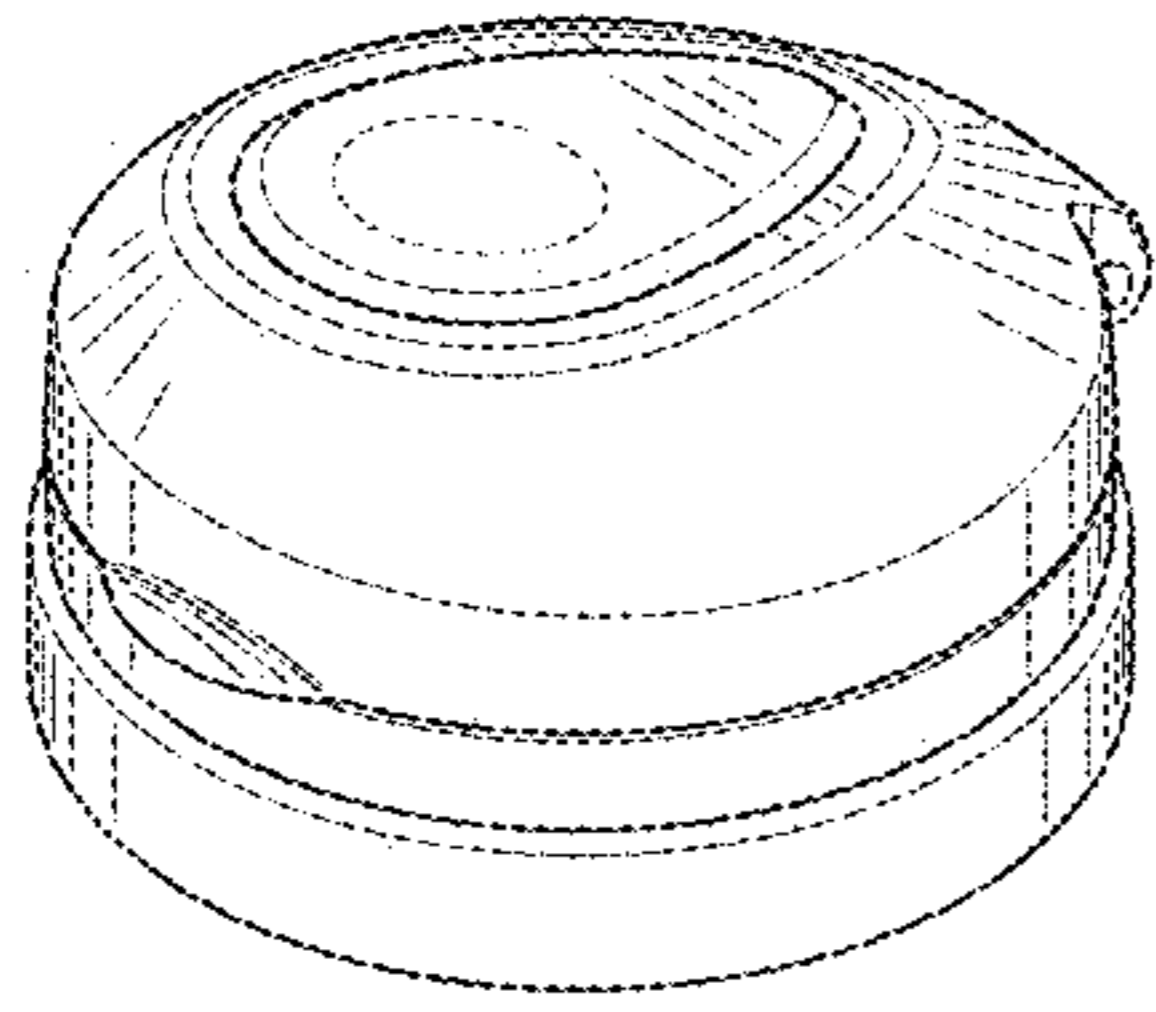


FIG.7

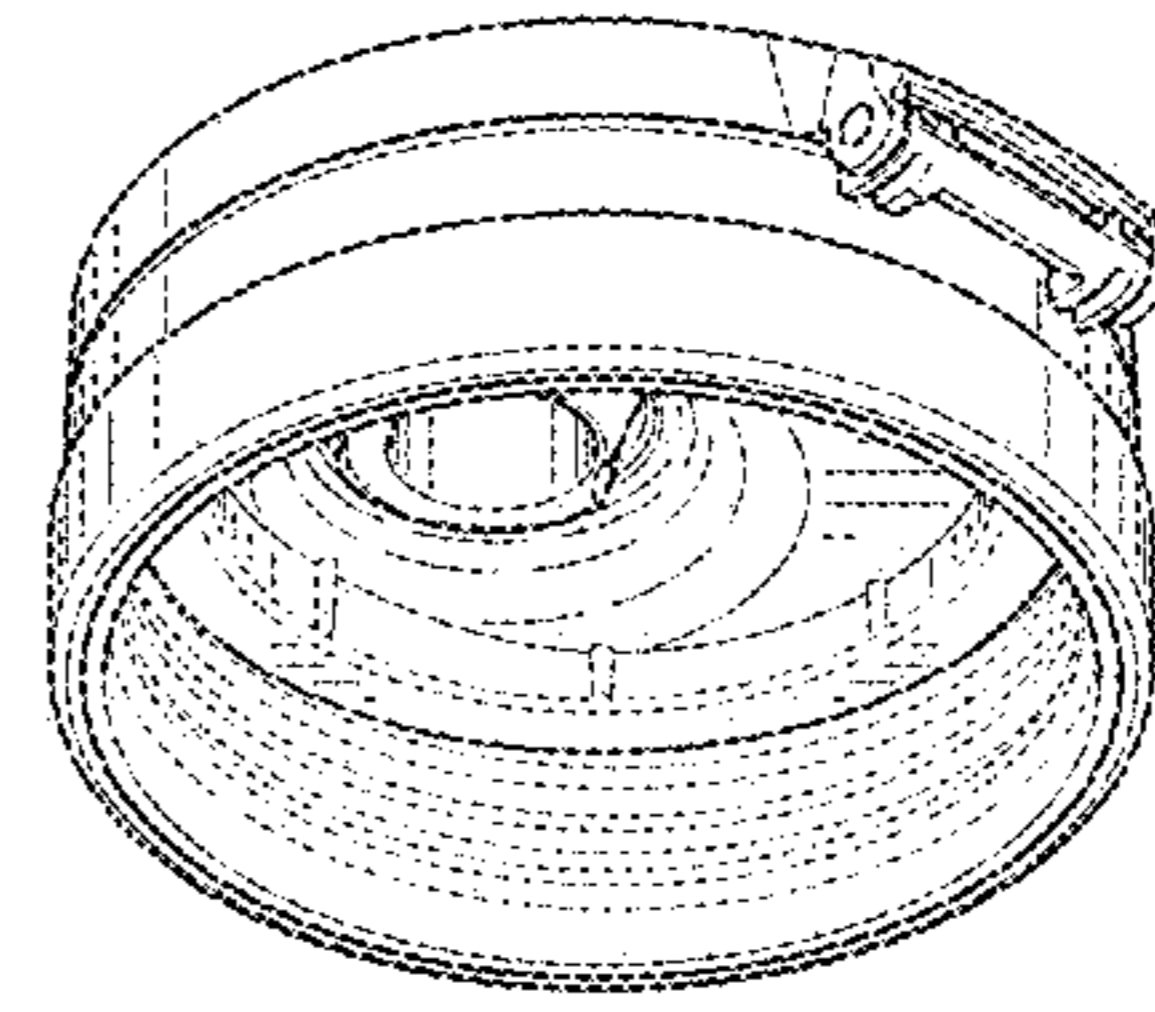


FIG.8

