



US00D954495S

(12) **United States Design Patent**
Wang

(10) **Patent No.:** **US D954,495 S**
(45) **Date of Patent:** **** Jun. 14, 2022**

(54) **BOTTLE LID**

(71) Applicant: **TAIZHOU TAIBO PLASTIC CO., LTD.**, Zhejiang (CN)

(72) Inventor: **Jinqiao Wang**, Zhejiang (CN)

(73) Assignee: **TAIZHOU TAIBO PLASTIC CO., LTD.**, Zhejiang (CN)

(**) Term: **15 Years**

(21) Appl. No.: **29/794,333**

(22) Filed: **Jun. 11, 2021**

(51) **LOC (13) Cl.** **07-99**

(52) **U.S. Cl.**
USPC **D7/392.1; D7/396.2; D7/510**

(58) **Field of Classification Search**
USPC D7/300, 306, 365, 376, 392, 392.1,
D7/396.2, 507, 509, 510, 511, 607, 665,
D7/666; D9/434, 435, 439, 440, 443,
D9/450
CPC A47G 19/2272; B65D 43/0225
See application file for complete search history.

(56) **References Cited**

U.S. PATENT DOCUMENTS

D608,640 S *	1/2010	Carreno	D9/449
D668,503 S *	10/2012	Kotani	D7/392.1
D686,871 S *	7/2013	Lane	D9/449
D686,872 S *	7/2013	Lane	D9/449
D690,557 S *	10/2013	Carreno	D7/510
D758,790 S *	6/2016	Boroski	D7/392.1
D811,879 S *	3/2018	Way	
D839,044 S *	1/2019	Potter	D7/392.1

D853,238 S	7/2019	Yao	
D902,647 S *	11/2020	McCabe	D7/392.1
D902,648 S *	11/2020	Wang	D9/449
D921,422 S *	6/2021	McCabe	D9/449
D924,623 S *	7/2021	McCabe	D9/449
D925,287 S *	7/2021	Gilmore, III	D7/532
D925,972 S *	7/2021	Gilmore, III	D7/392.1
D928,558 S *	8/2021	Han	D7/392.1
D941,086 S *	1/2022	Zhou	D7/392.1
D942,808 S *	2/2022	Wang	D7/392.1
D943,343 S *	2/2022	Wang	D7/392.1
2013/0319966 A1 *	12/2013	Lane	A45F 3/20 215/237

* cited by examiner

Primary Examiner — S. Bryan Reinholdt, Jr.
(74) *Attorney, Agent, or Firm* — ScienBiziP, P.C.

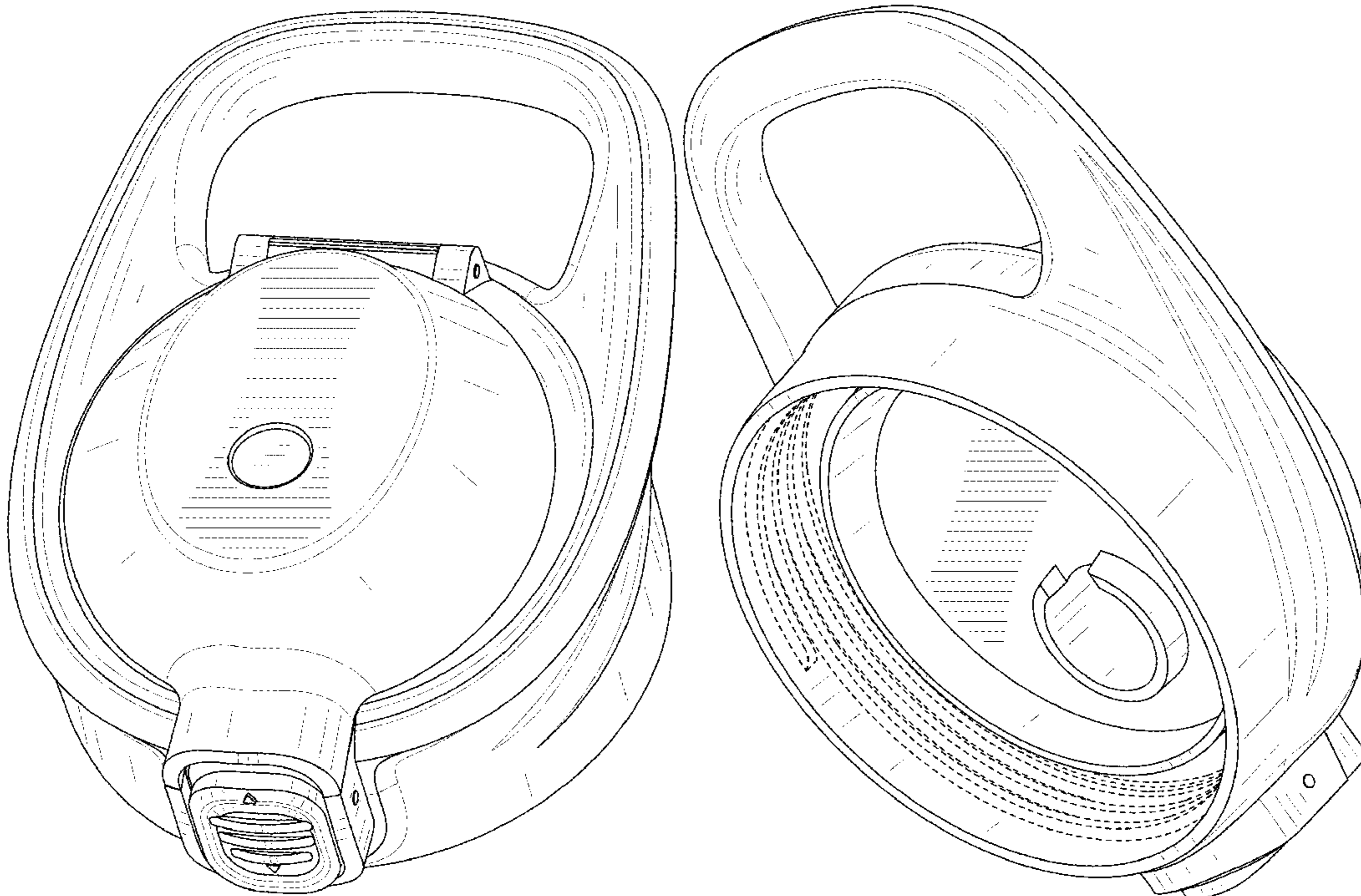
(57) **CLAIM**

The ornamental design for a bottle lid, as shown and described.

DESCRIPTION

FIG. 1 is a front, right, and bottom perspective view of a bottle lid, showing my design.
FIG. 2 is a rear, left, and top perspective view thereof.
FIG. 3 is a front elevation view thereof.
FIG. 4 is a rear elevation view thereof.
FIG. 5 is a left side elevation view thereof.
FIG. 6 is a right side elevation view thereof.
FIG. 7 is a top plan view thereof; and,
FIG. 8 is a bottom plan view thereof.
The broken lines shown in the drawings are included for the purpose of illustrating portions of the bottle lid that form no part of the claimed design.

1 Claim, 8 Drawing Sheets



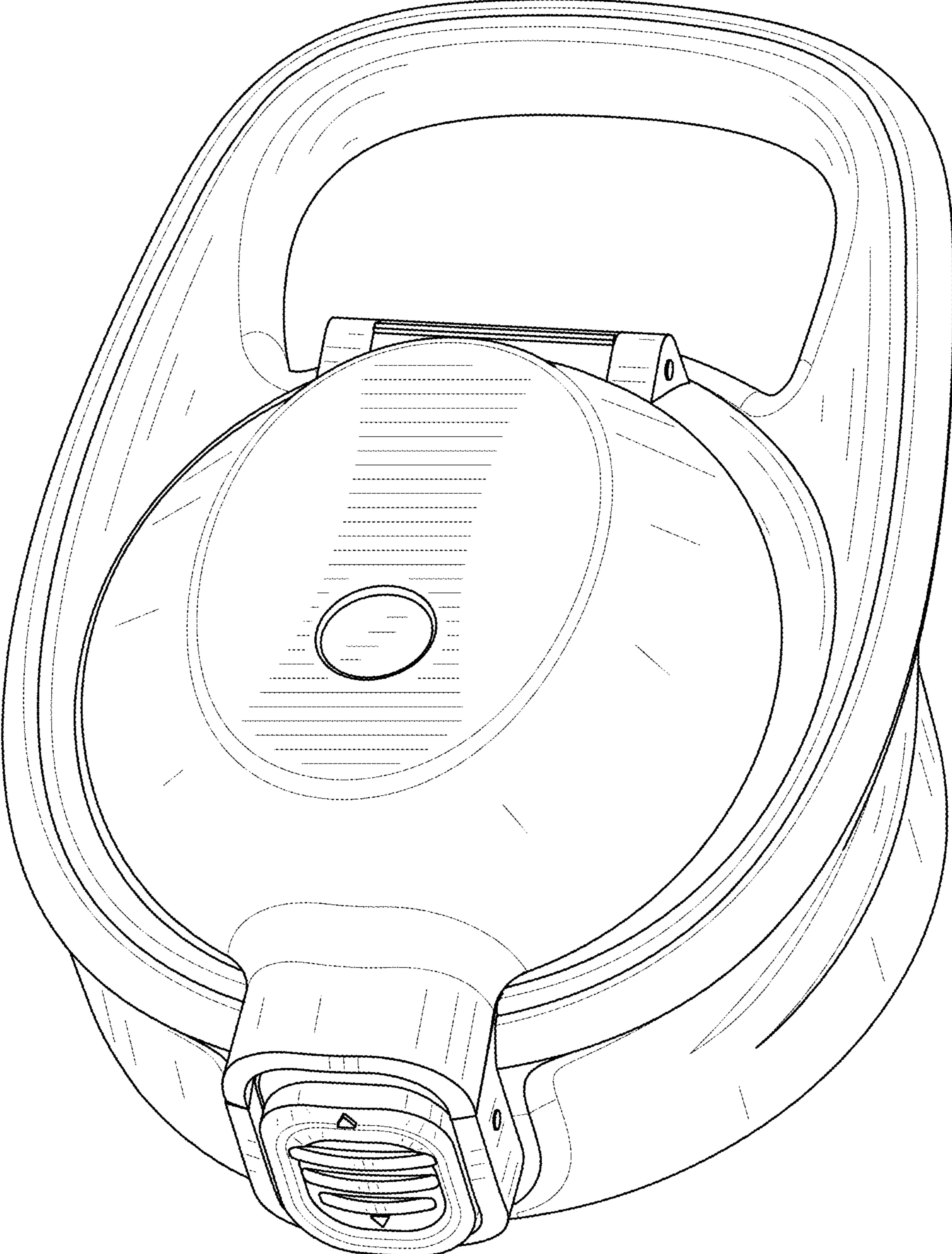


FIG. 1

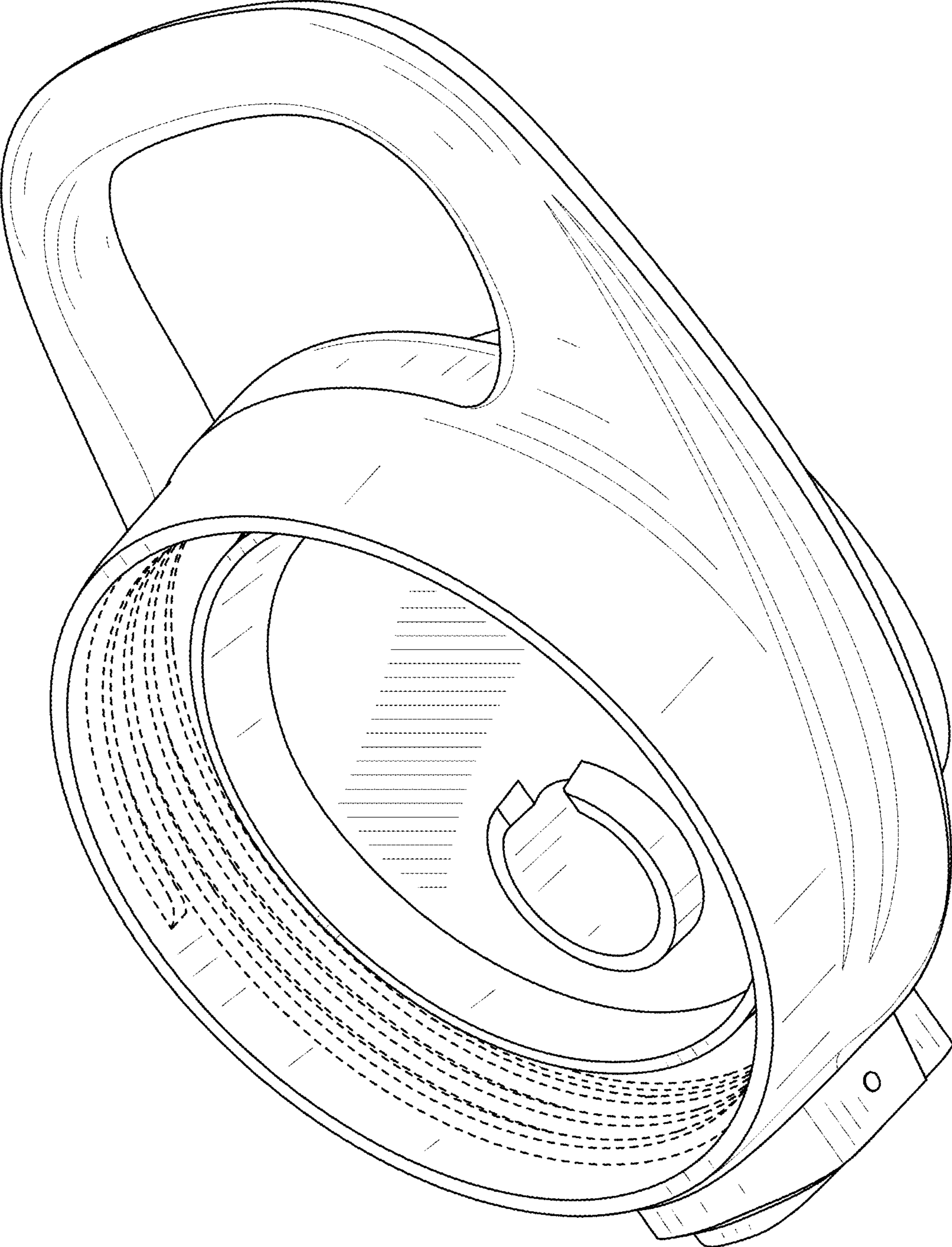


FIG. 2

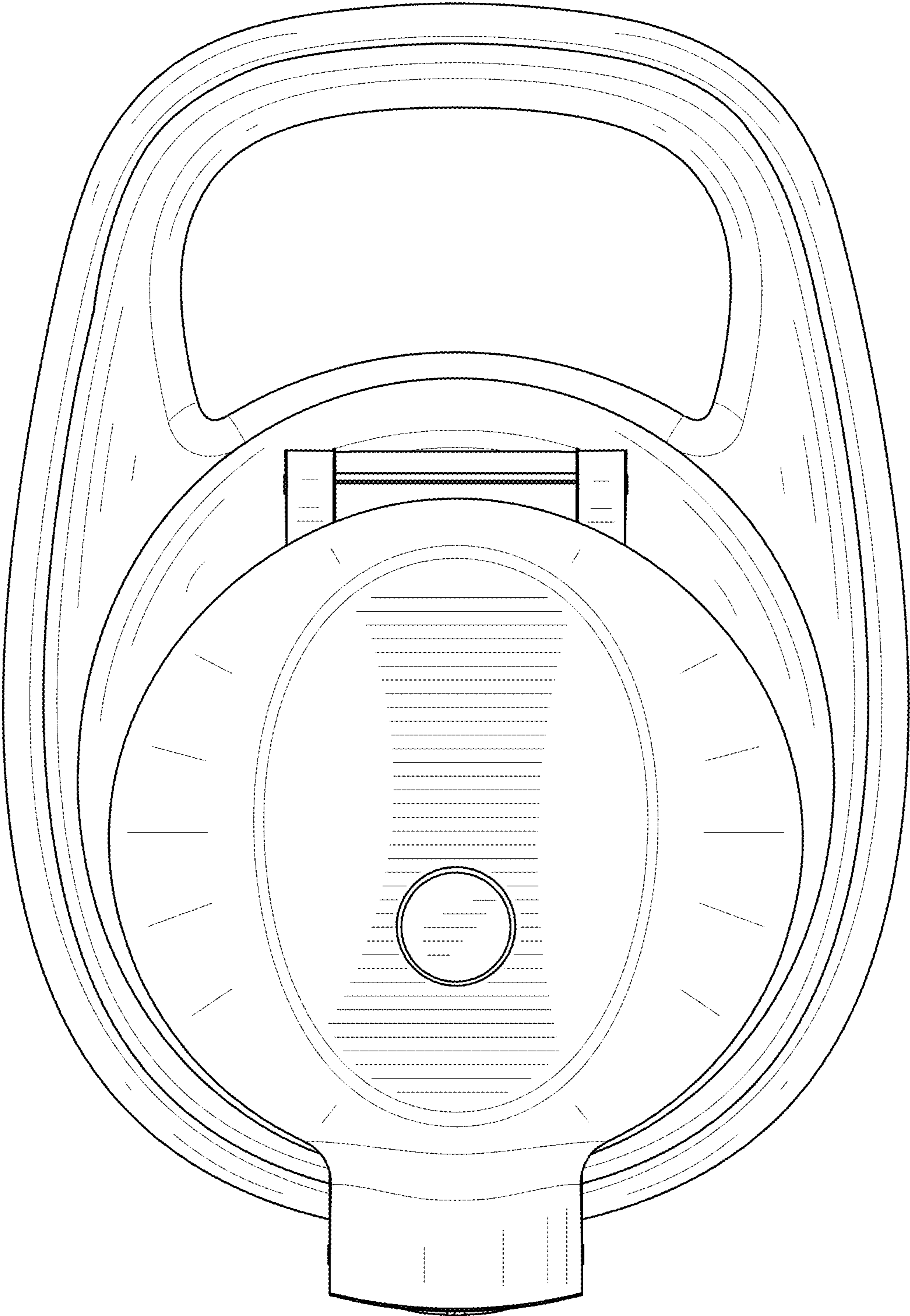


FIG. 3

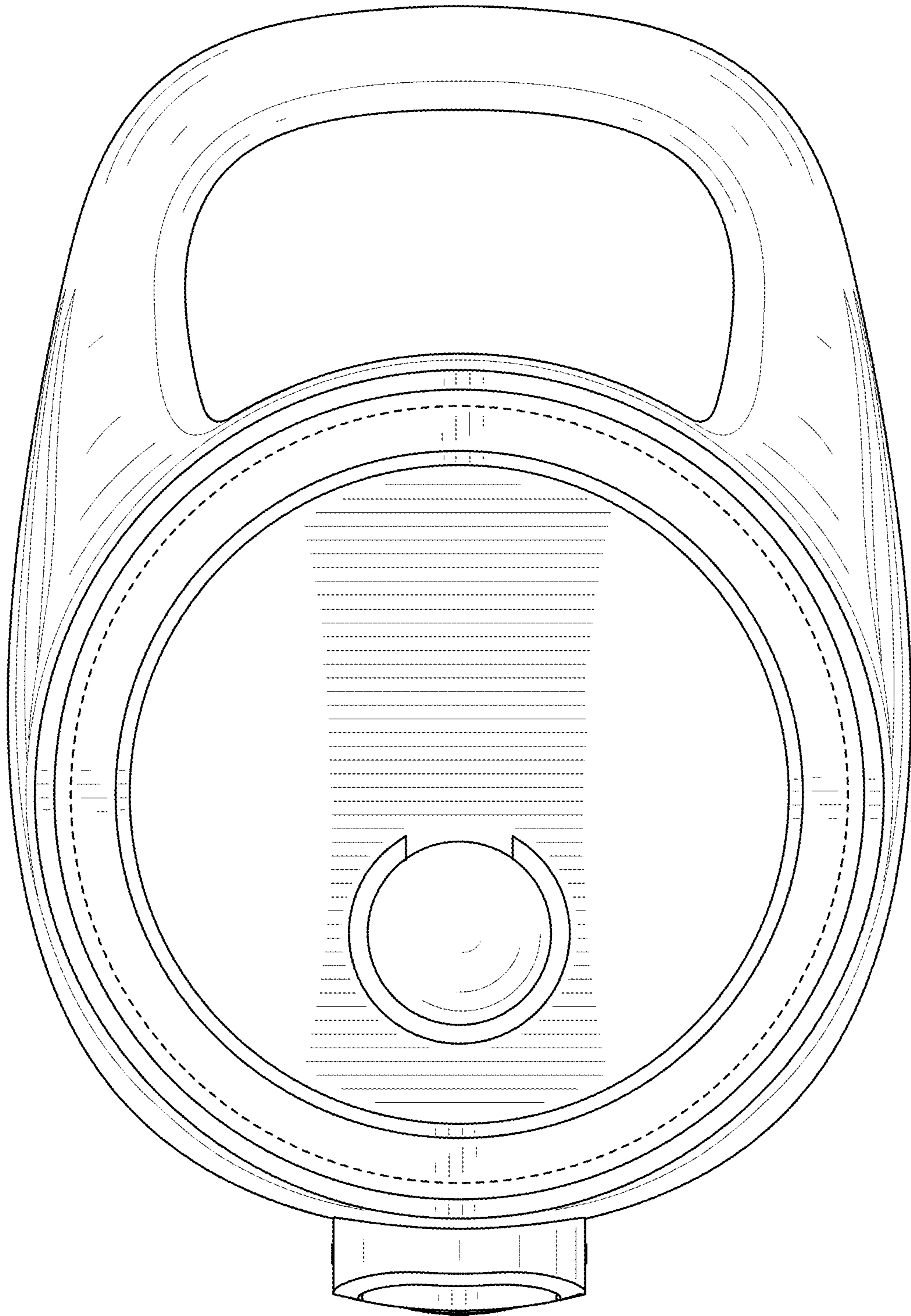


FIG. 4

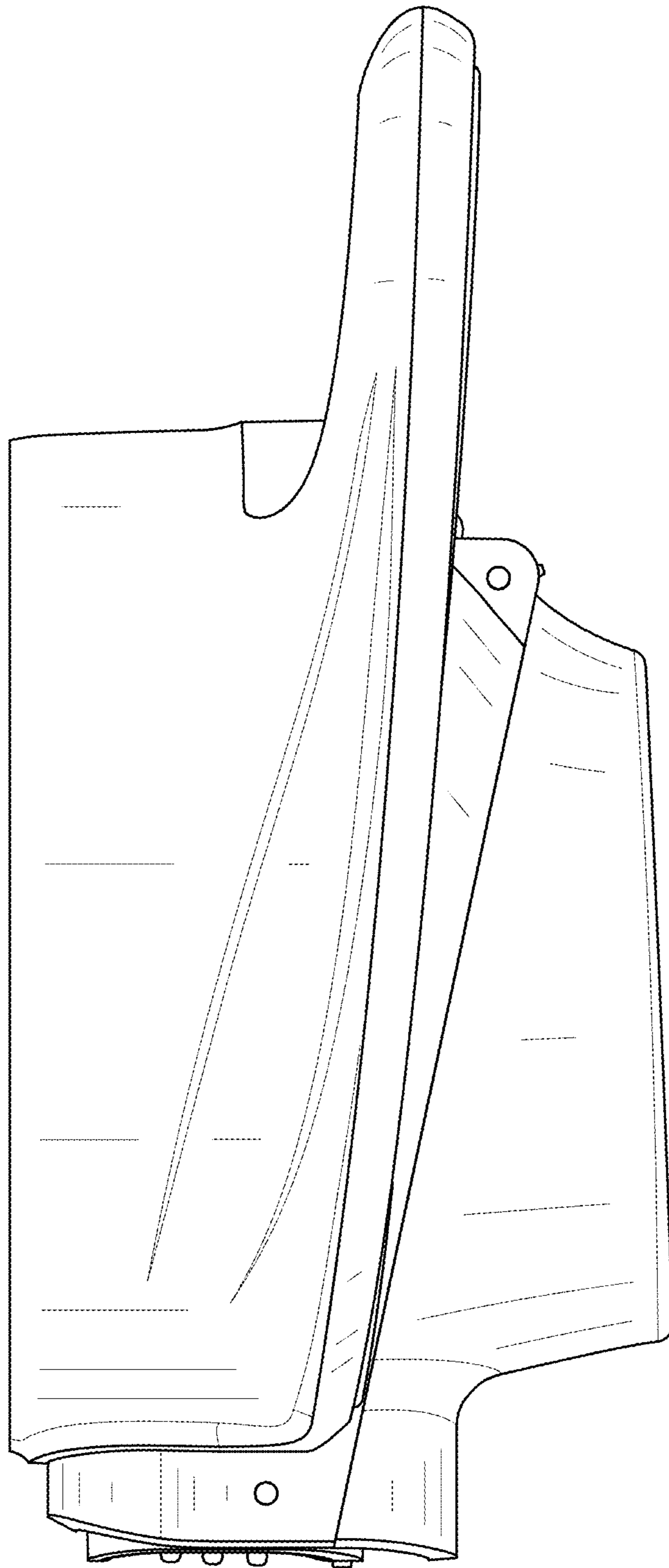


FIG. 5

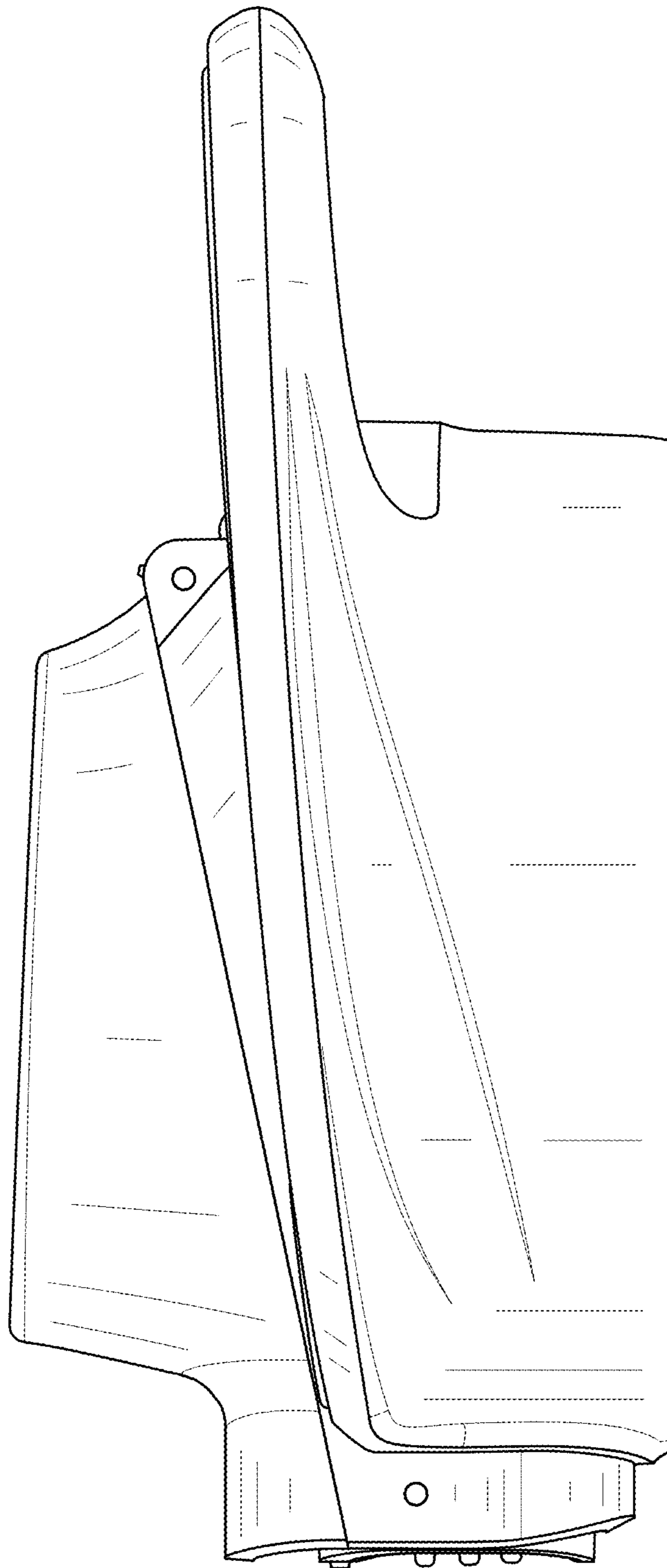


FIG. 6

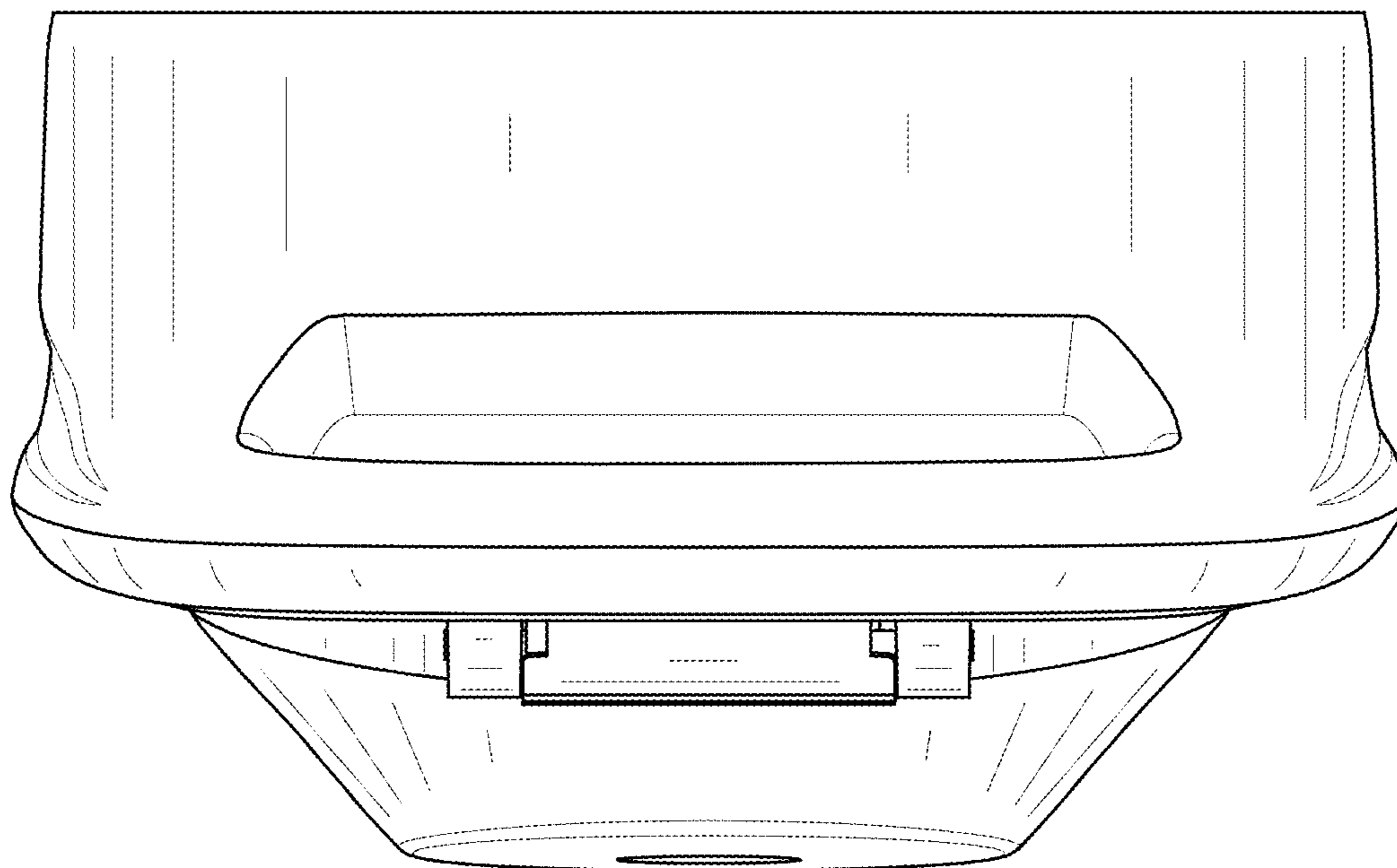


FIG. 7

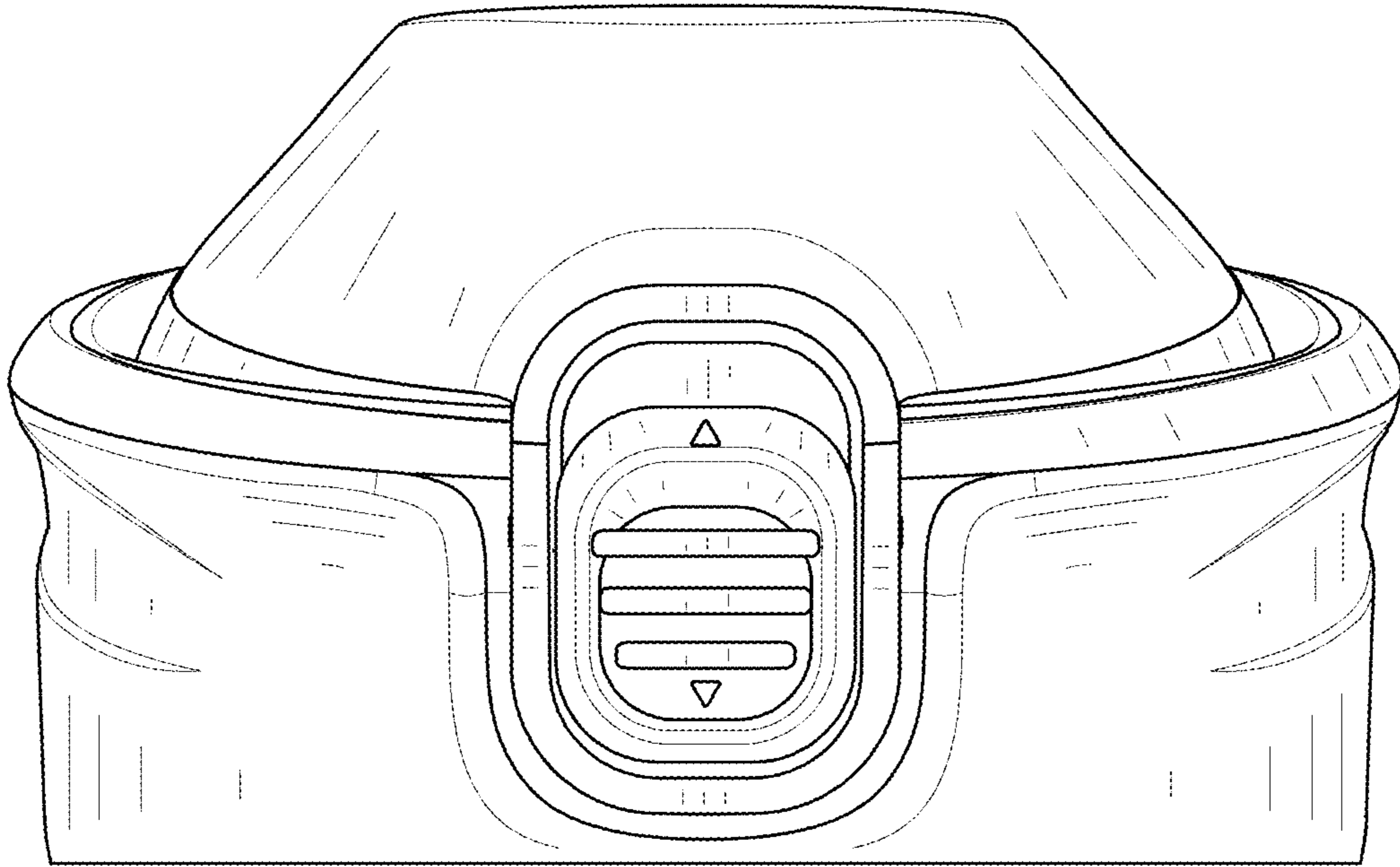


FIG. 8