



US00D954494S

(12) **United States Design Patent**  
**Zhang**

(10) **Patent No.:** **US D954,494 S**

(45) **Date of Patent:** **\*\* Jun. 14, 2022**

(54) **CUP LID**

(71) Applicant: **Siduo Zhang**, Guangdong (CN)

(72) Inventor: **Siduo Zhang**, Guangdong (CN)

(73) Assignee: **GUANGZHOU BAOMEI NETWORK TECHNOLOGY CO., LTD.**, Guangzhou (CN)

(\*\*) Term: **15 Years**

(21) Appl. No.: **29/776,785**

(22) Filed: **Mar. 31, 2021**

(51) **LOC (13) Cl.** ..... **07-01**

(52) **U.S. Cl.**  
USPC ..... **D7/392.1; D7/511; D7/396.2**

(58) **Field of Classification Search**  
USPC ..... D7/507, 509, 510, 511, 529, 531, 532, D7/523, 533, 534, 535, 536, 392.1, 396.1, D7/396.2, 300.1, 608; D26/9; D3/202  
CPC ..... A47G 19/22; A47G 19/2288; A47G 19/2205; A47J 41/0077; A47J 41/0088  
See application file for complete search history.

(56) **References Cited**

**U.S. PATENT DOCUMENTS**

- 4,703,873 A \* 11/1987 Geren ..... B65D 47/147 222/192
- D418,363 S \* 1/2000 Barnes ..... D7/392
- D455,609 S \* 4/2002 Mandel ..... D7/510
- D542,132 S \* 5/2007 Pugne ..... D9/449
- D604,159 S \* 11/2009 Pugne ..... D9/449
- D642,862 S \* 8/2011 Tobias ..... D7/510
- D642,864 S \* 8/2011 Tobias ..... D7/510
- D643,245 S \* 8/2011 Minarsch ..... D7/392.1
- D644,060 S \* 8/2011 Komeiji ..... D7/392.1
- D647,753 S \* 11/2011 Lin ..... D7/392.1
- D712,701 S \* 9/2014 Boroski ..... D7/533
- D713,206 S \* 9/2014 Lane ..... D7/533

- D789,737 S \* 6/2017 Eyal ..... D7/396.2
- D795,643 S \* 8/2017 Barlow ..... D7/510
- D850,260 S 6/2019 Eickhoff
- D885,121 S 5/2020 Born et al.
- D886,514 S \* 6/2020 Kander ..... D7/392.1
- D887,203 S 6/2020 Pan

(Continued)

**FOREIGN PATENT DOCUMENTS**

- CN 304296032 \* 9/2017
- CN 305164061 \* 5/2019

(Continued)

**OTHER PUBLICATIONS**

Pandaria [online] URL: <https://www.amazon.com/Pandaria-Resistant-Tumbler-Tumblers-clamshell/dp/B07WPCWQHS> (site visited: Nov. 10, 2021) (Year: 2018).\*

(Continued)

*Primary Examiner* — Jae Liang  
*Assistant Examiner* — Tia Ruth-Renee Polidori

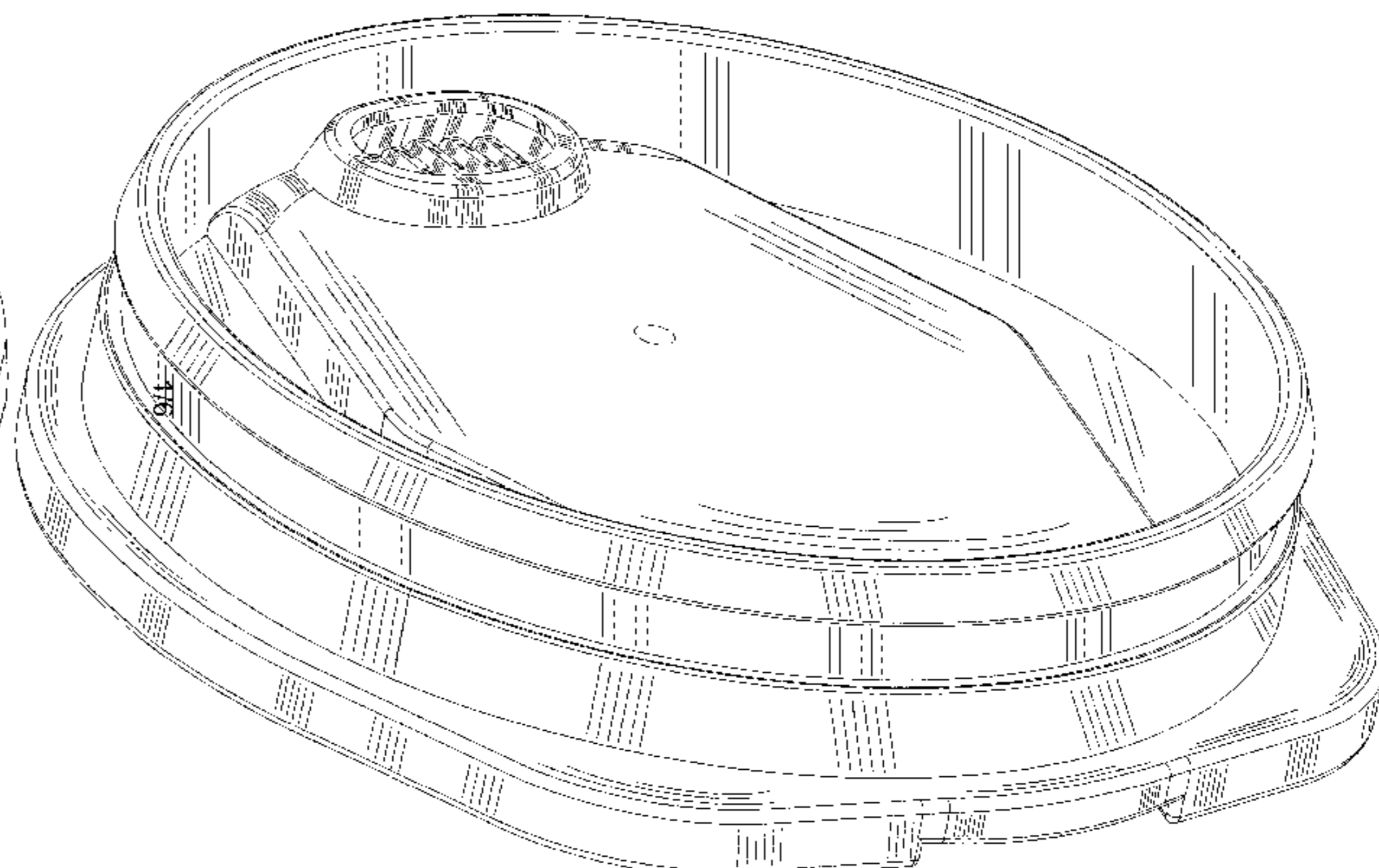
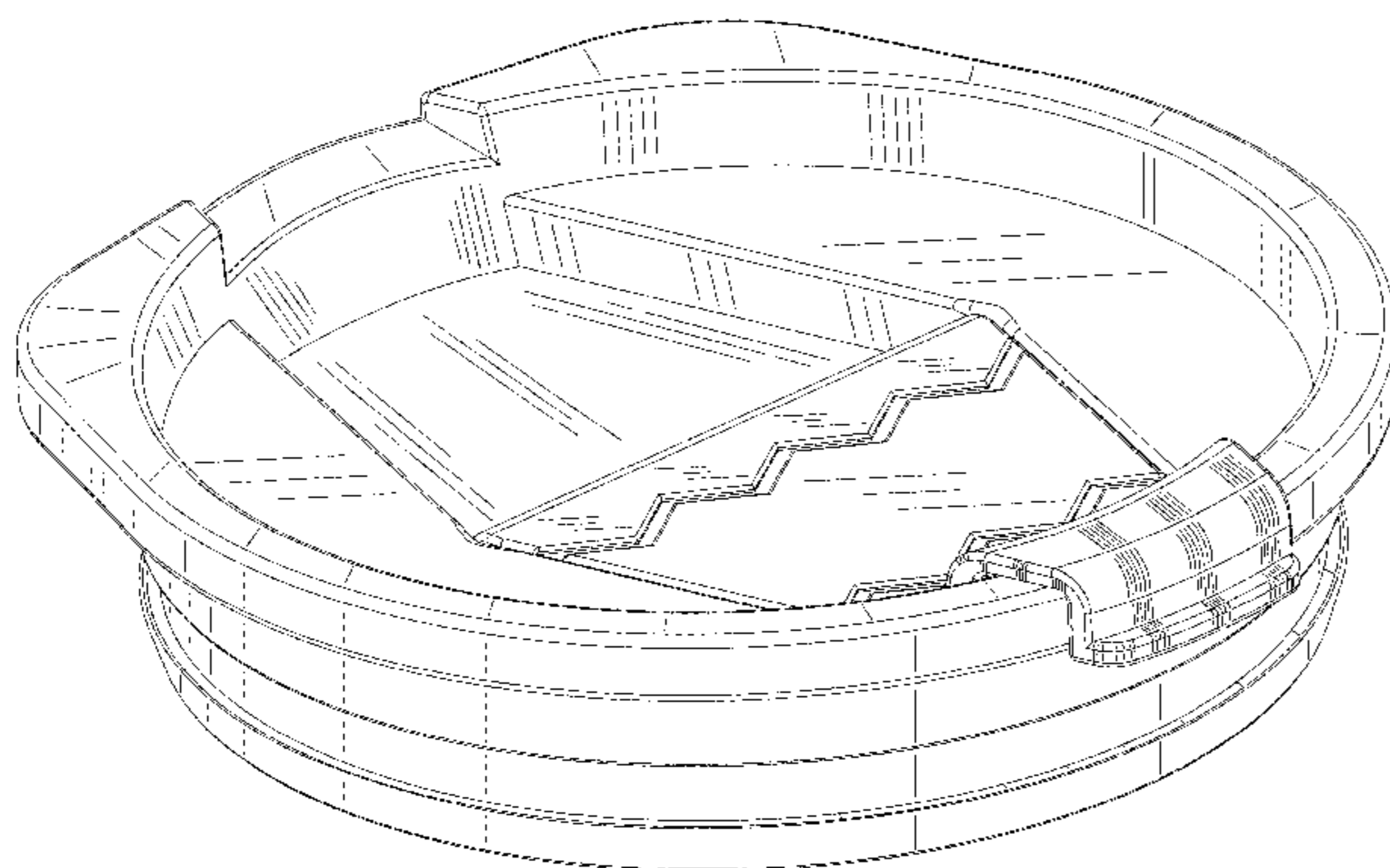
(57) **CLAIM**

The ornamental design for a cup lid, as shown and described.

**DESCRIPTION**

FIG. 1 is a top, front, left side perspective view of a cup lid showing my new design;  
FIG. 2 is a bottom, rear, right side perspective view thereof;  
FIG. 3 is a front elevation view thereof;  
FIG. 4 is a rear elevation view thereof;  
FIG. 5 is a left side elevation view thereof;  
FIG. 6 is a right side elevation view thereof;  
FIG. 7 is a top plan view thereof; and,  
FIG. 8 is a bottom plan view thereof.  
The broken lines in the drawings illustrate portions of the cup lid that form no part of the claimed design.

**1 Claim, 6 Drawing Sheets**



(56)

References Cited

U.S. PATENT DOCUMENTS

D890,573 S \* 7/2020 Jacobsen ..... D7/510  
 D899,190 S \* 10/2020 Jacobsen ..... D7/511  
 D899,191 S \* 10/2020 Jacobsen ..... D7/511  
 D899,856 S \* 10/2020 Jacobsen ..... D7/511  
 D901,975 S \* 11/2020 Jacobsen ..... D7/511  
 D904,125 S \* 12/2020 Jacobsen ..... D7/536  
 D908,431 S \* 1/2021 Jacobsen ..... D7/511  
 D909,127 S \* 2/2021 Rolfson ..... D7/392.1  
 D911,772 S \* 3/2021 Xie ..... D7/392.1  
 D911,778 S \* 3/2021 Jacobsen ..... D7/511  
 D915,143 S \* 4/2021 Wang ..... D7/510  
 D930,430 S \* 9/2021 Li ..... D7/392.1  
 2008/0245792 A1 \* 10/2008 Chou ..... B65D 47/0847  
 220/254.3  
 2015/0036455 A1 \* 2/2015 Bennett ..... B65D 81/3211  
 366/184  
 2017/0320643 A1 \* 11/2017 Green ..... A47G 19/2272

FOREIGN PATENT DOCUMENTS

CN 306684697 \* 7/2021  
 CN 306742955 \* 8/2021  
 CN 306783611 \* 8/2021

OTHER PUBLICATIONS

Simple Modern [online] URL: <https://www.amazon.com/Simple-Modern-Cruiser-Tumbler-Closing/dp/B071JCF8VZ/> (site visited: Nov. 10, 2021) (Year: 2020).  
 Orca [online] URL: [https://orcacoolers.com/products/chaser-cafz-lid?gclid=EAIaIQobChMI06v26pWQ9AIVsXxvBB0R9wguEAQYASABEgJeM\\_D\\_BwE](https://orcacoolers.com/products/chaser-cafz-lid?gclid=EAIaIQobChMI06v26pWQ9AIVsXxvBB0R9wguEAQYASABEgJeM_D_BwE)(site visited: Nov. 10, 2021) (Year: 2021).  
 Waldeal [online] URL: <https://www.amazon.com/Waldeal-Giraffe-Seamless-Stainless-Insulated/dp/B09DGNFCD5> (site visited: Nov. 10, 2021) (Year: 2021).  
 \* cited by examiner



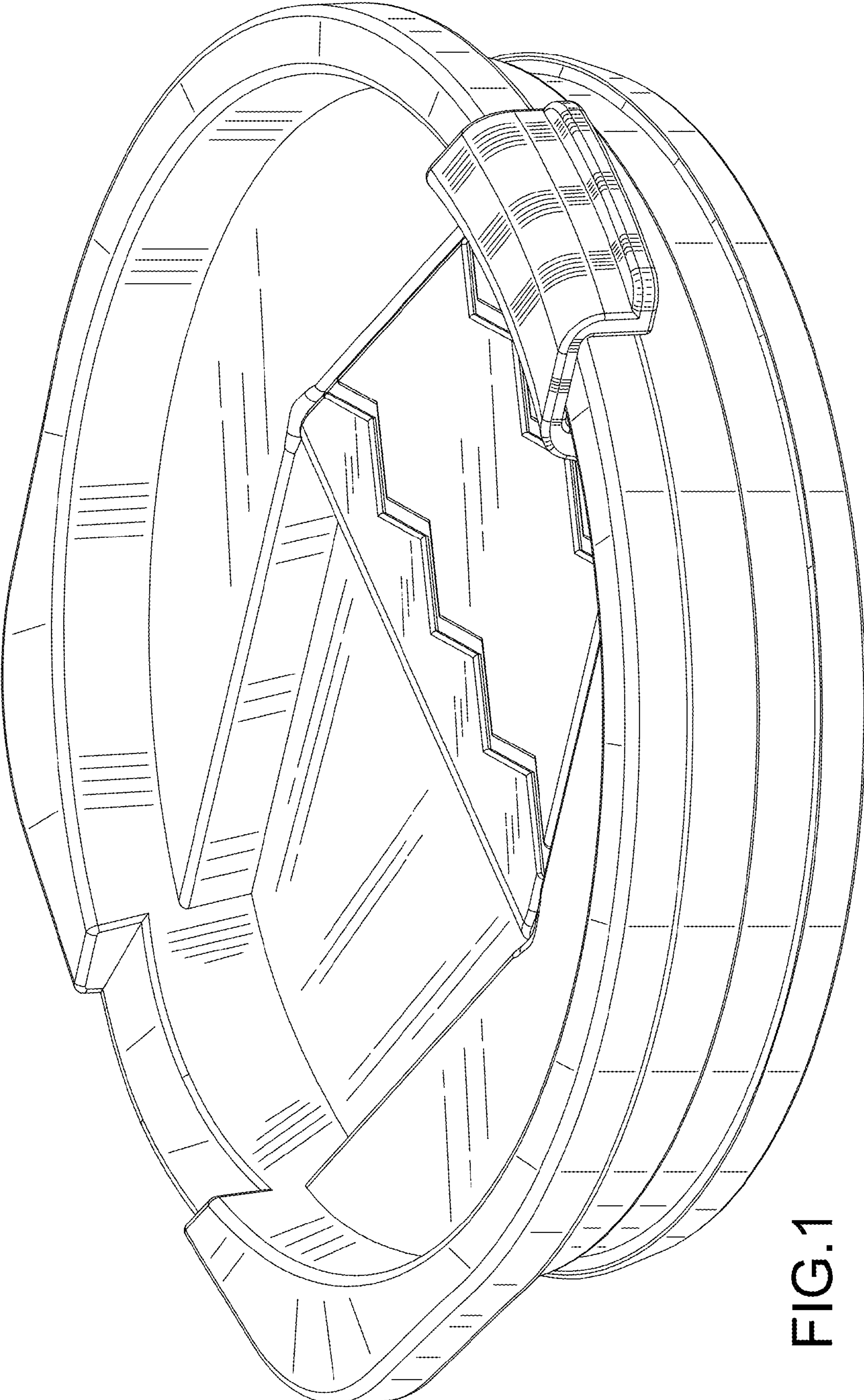


FIG.1

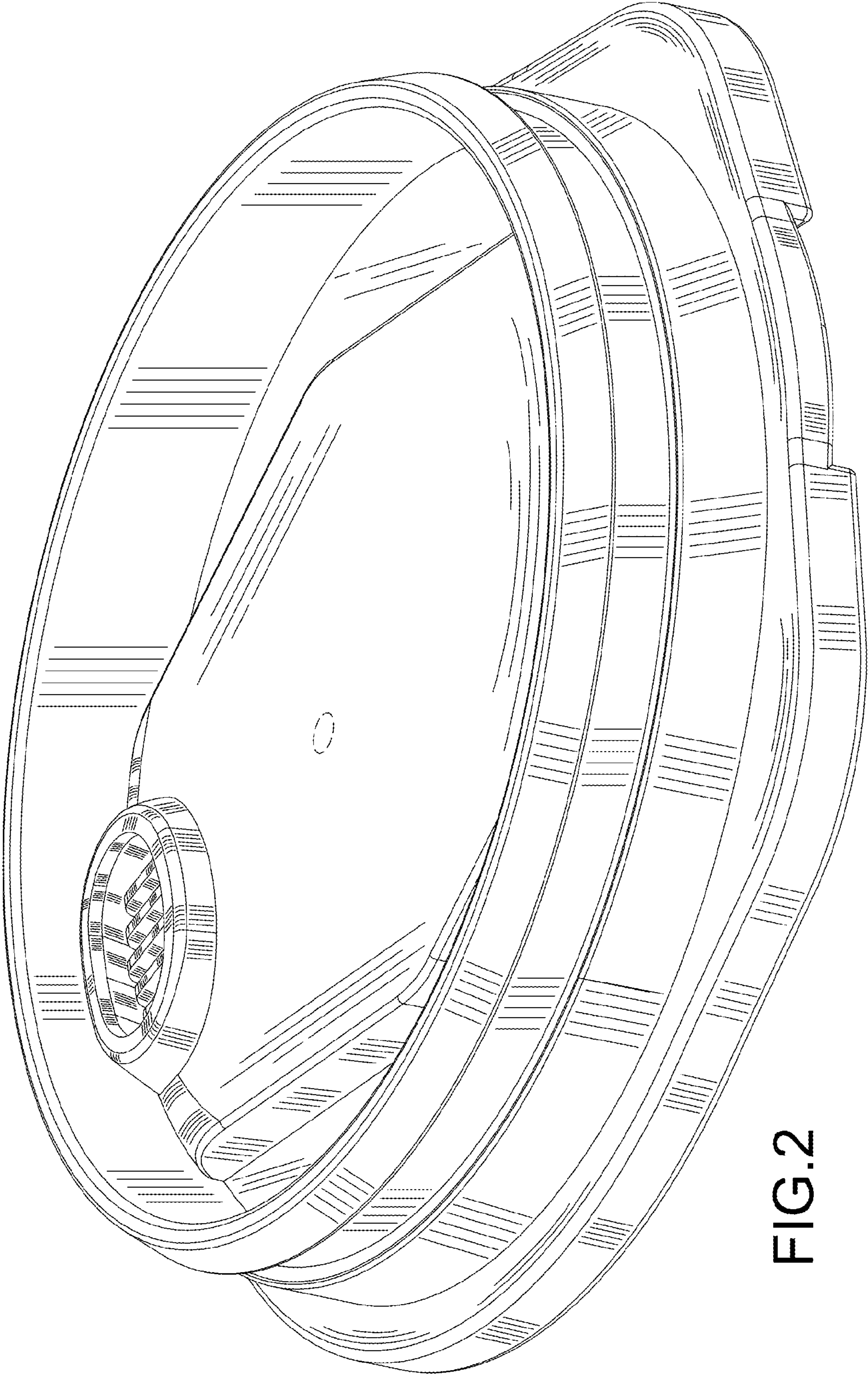


FIG.2

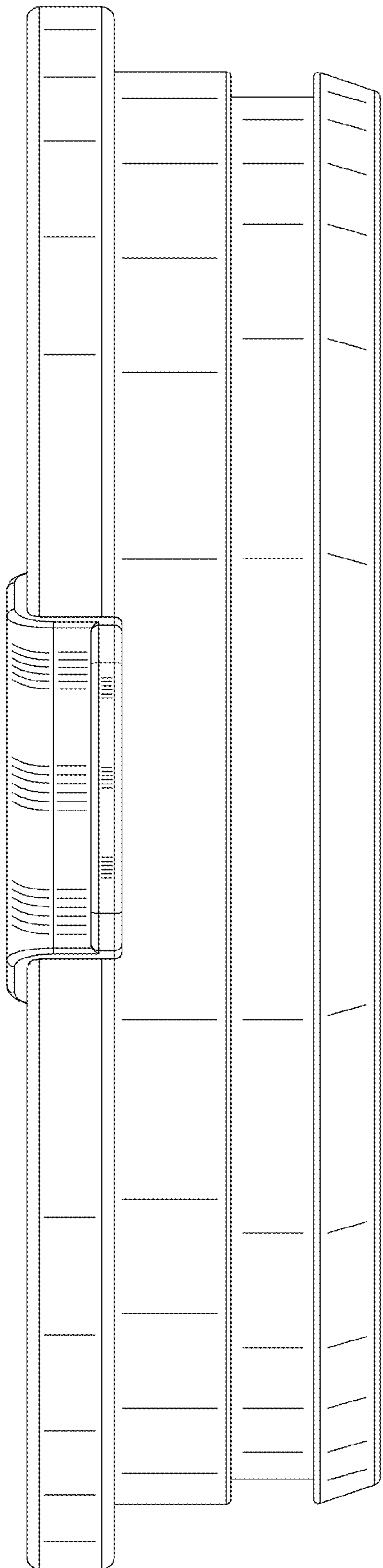


FIG. 3

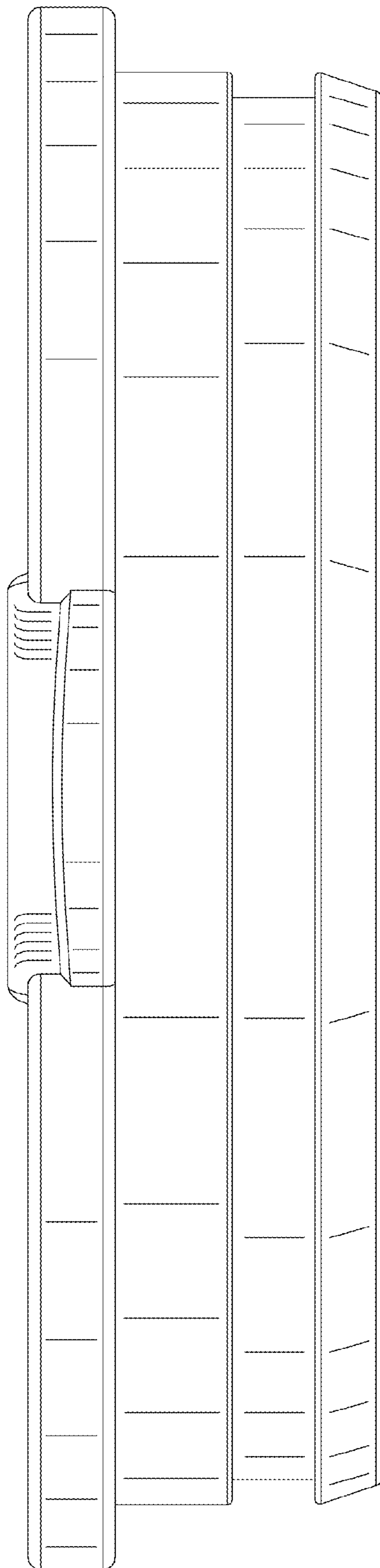


FIG. 4



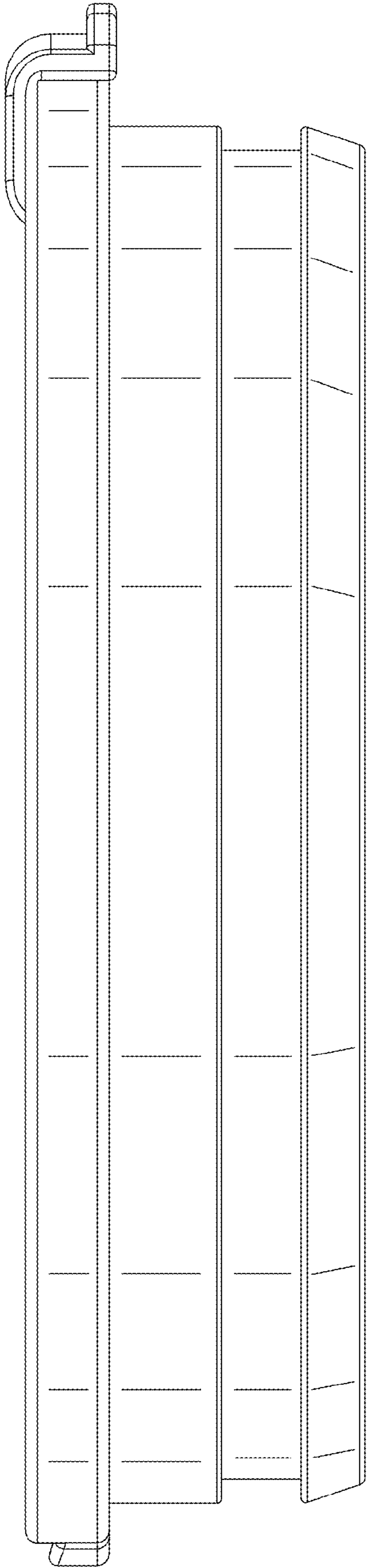


FIG. 5

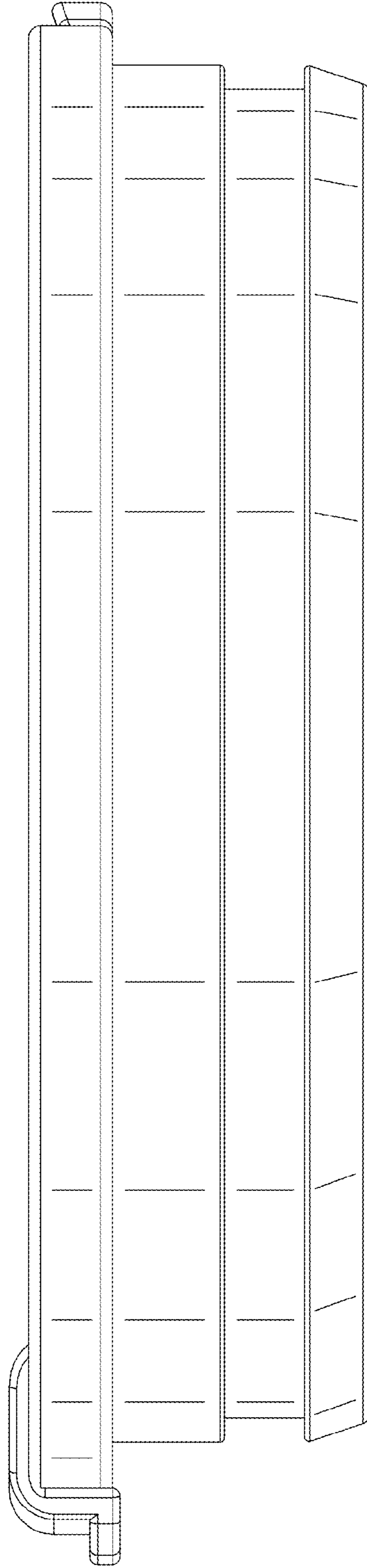


FIG. 6

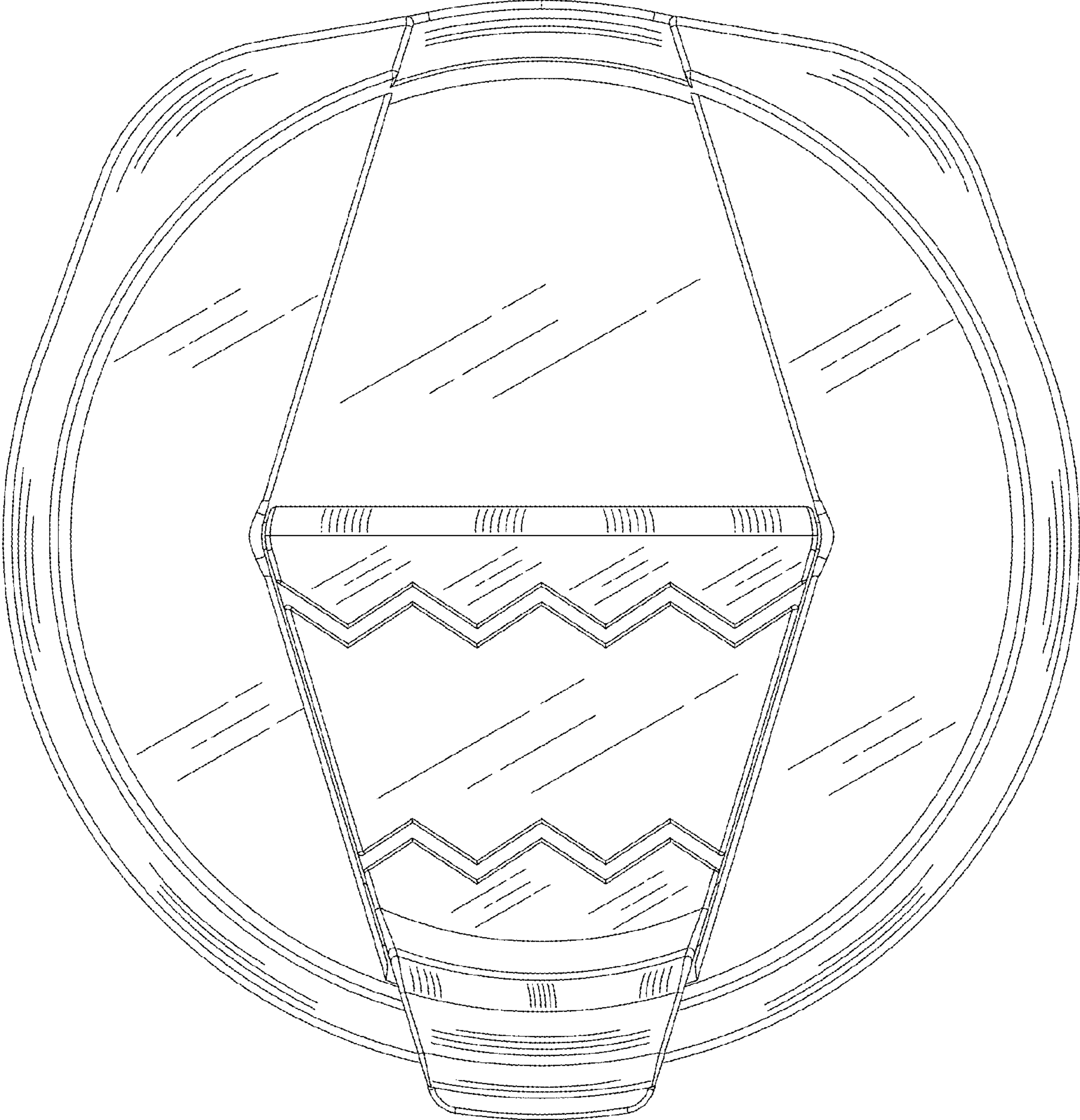


FIG.7

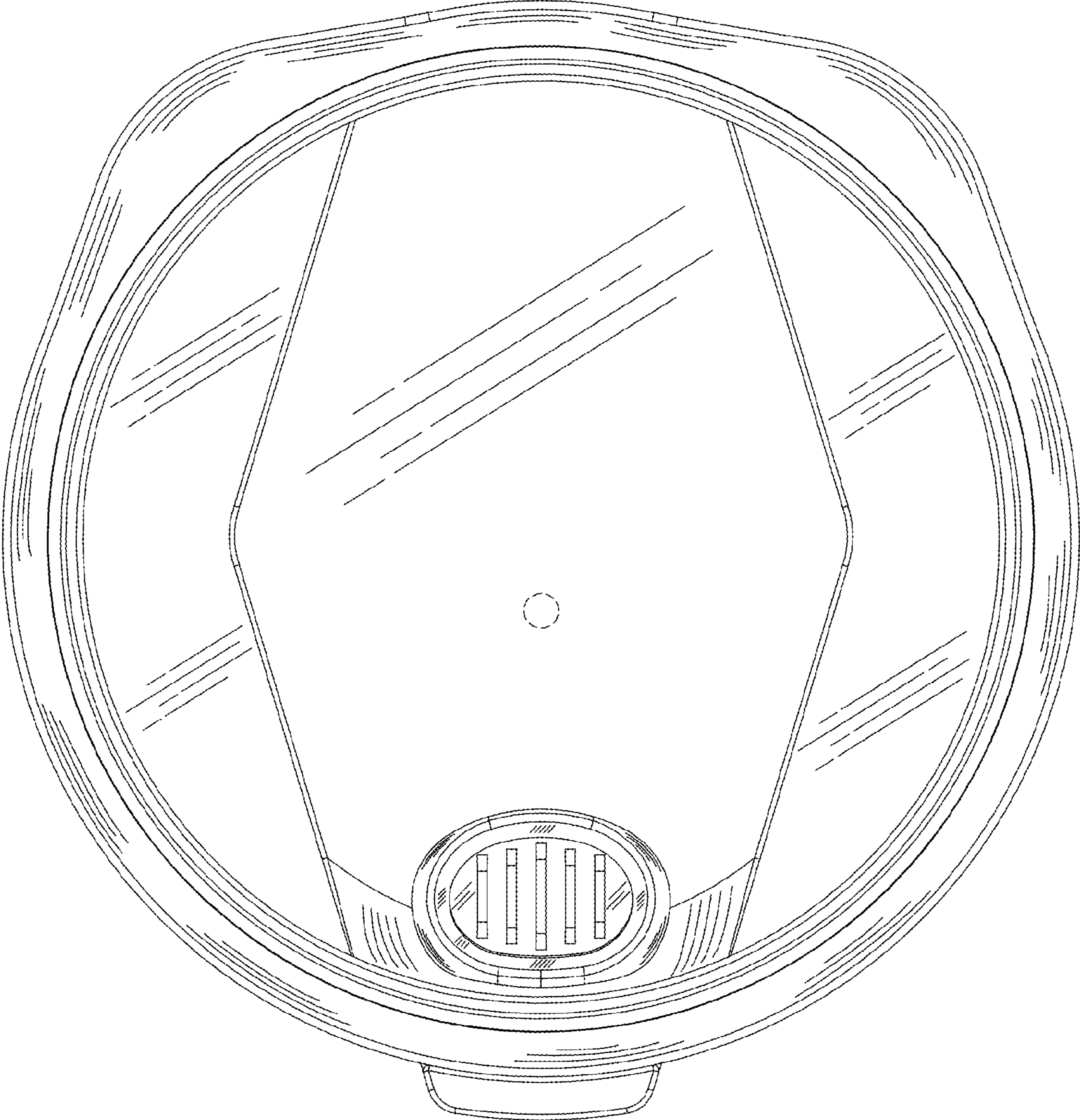


FIG.8