



US00D954493S

(12) **United States Design Patent**  
**Harris et al.**

(10) **Patent No.:** **US D954,493 S**

(45) **Date of Patent:** **\*\* Jun. 14, 2022**

(54) **CONTAINER LID**

(71) Applicant: **Base Brands, LLC**, Atlanta, GA (US)

(72) Inventors: **Jamison Corey Harris**, Brookhaven, GA (US); **Patrick Spivey**, Atlanta, GA (US); **Kenneth Kreafler**, Atlanta, GA (US)

(73) Assignee: **Base Brands, LLC**, Atlanta, GA (US)

(\*\*) Term: **15 Years**

(21) Appl. No.: **29/754,112**

(22) Filed: **Oct. 6, 2020**

(51) **LOC (13) Cl.** ..... **09-07**

(52) **U.S. Cl.**  
USPC ..... **D7/392.1**; D9/443; D7/396.2

(58) **Field of Classification Search**  
USPC ..... D9/435, 439, 440, 442-449, 450, 454, D9/531, 682-694, 723; D7/321, 391, D7/392, 392.1, 396.2, 507, 509-511, 523, D7/608, 900; D6/515  
CPC .... B65D 83/205; B65D 83/206; B65D 83/40; B65D 2543/00046; A47G 19/2272  
See application file for complete search history.

(56) **References Cited**

**U.S. PATENT DOCUMENTS**

D547,607 S *	7/2007	Forsman	.....	D7/396.2
D682,034 S *	5/2013	El-Saden	.....	D7/510
D686,448 S *	7/2013	Boroski	.....	D7/392.1
8,602,238 B2 *	12/2013	El-Saden	.....	B65D 51/242
				215/389
D716,657 S *	11/2014	Caneer	.....	D9/443
D721,276 S *	1/2015	Herbst	.....	D9/449
D729,569 S *	5/2015	Herbst	.....	D7/510
D734,151 S *	7/2015	Herbst	.....	D9/448
D756,702 S *	5/2016	Joseph	.....	D7/392.1
D770,222 S *	11/2016	Boroski	.....	D7/392.1
D793,154 S *	8/2017	Sorensen	.....	D7/392.1

D802,993 S *	11/2017	Joseph	.....	D7/392.1
D804,903 S *	12/2017	Mason	.....	D7/510
D808,711 S *	1/2018	Joseph	.....	D7/392.1
D808,713 S *	1/2018	Rane	.....	D7/396.2
D812,966 S *	3/2018	Murosky	.....	D7/392.1
D814,855 S *	4/2018	Hammer	.....	D7/392.1
D816,411 S *	5/2018	Stover	.....	D7/510
D818,317 S *	5/2018	Fu	.....	D7/510
D818,774 S *	5/2018	Stover	.....	D7/510
D820,637 S *	6/2018	Davis	.....	D7/392.1
D838,549 S *	1/2019	Gu	.....	D7/510
D855,388 S *	8/2019	Potter	.....	D7/392.1

(Continued)

**OTHER PUBLICATIONS**

Amhy01, Aug. 2021, Target.com Product Review Post, URL: <https://www.target.com/p/reduce-36oz-hydrate-bottle/-/A-82246903> (Year: 2021).\*

(Continued)

*Primary Examiner* — Brett Miller

*Assistant Examiner* — Rani J Abdallah

(74) *Attorney, Agent, or Firm* — Park, Vaughan, Fleming & Dowler LLP

(57) **CLAIM**

The ornamental designs for a container lid, as shown and described.

**DESCRIPTION**

FIG. 1 is a top perspective view of an embodiment of our design.

FIG. 2 is a bottom perspective view of the embodiment.

FIG. 3 is a top view of the embodiment.

FIG. 4 is a bottom view of the embodiment.

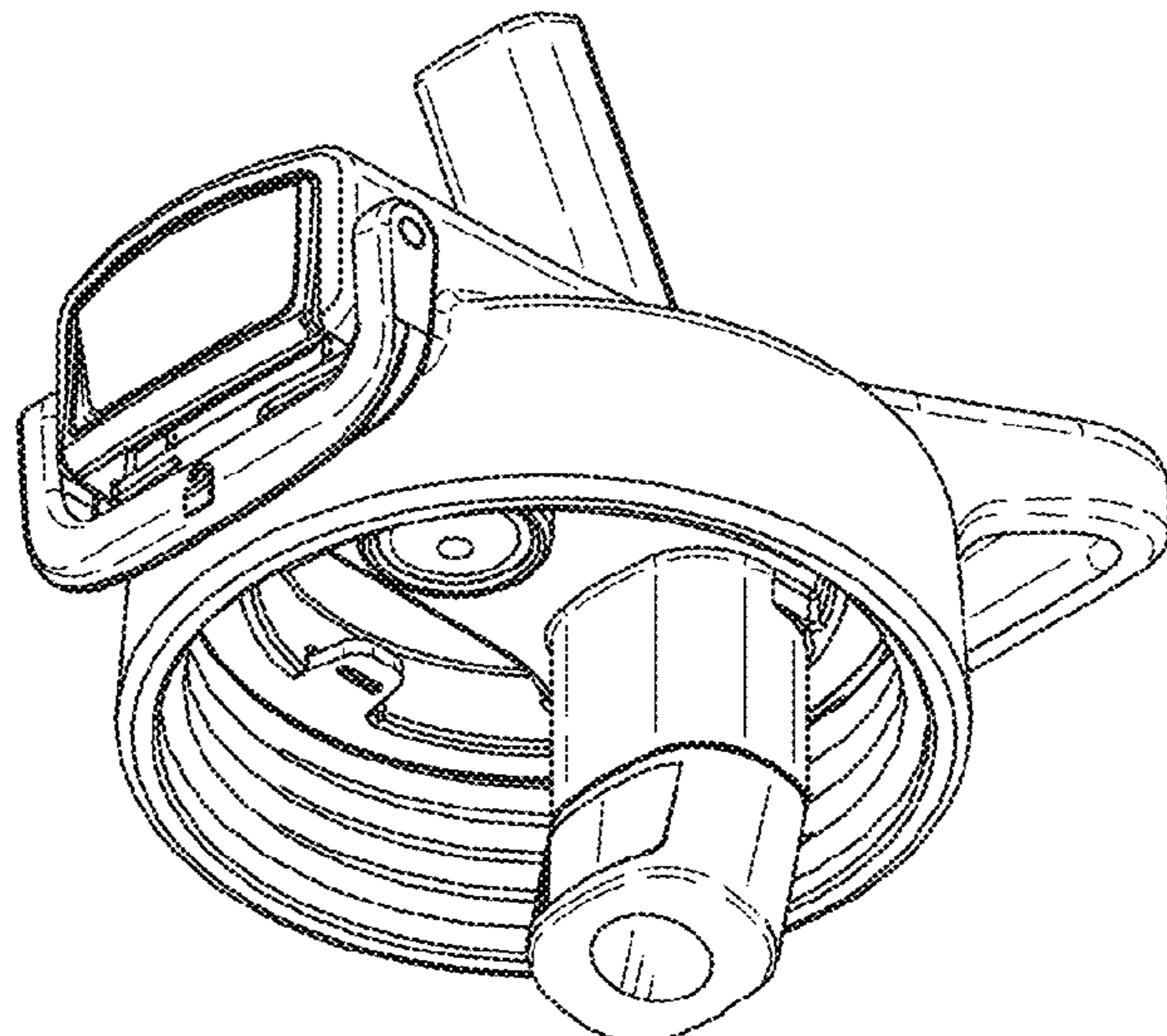
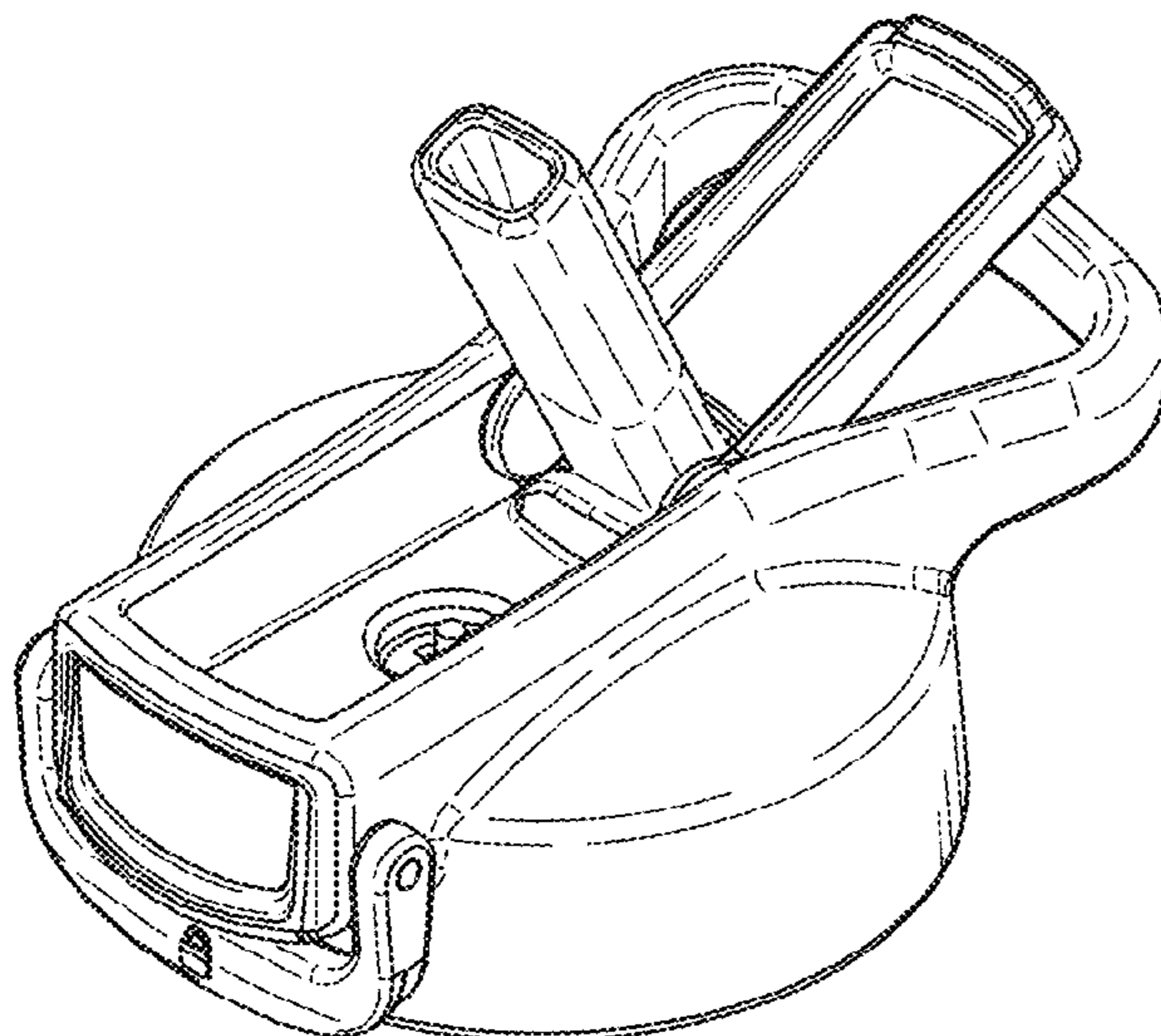
FIG. 5 is a right side view of the embodiment.

FIG. 6 is a left side view of the embodiment.

FIG. 7 is a front view of the embodiment; and,

FIG. 8 is a back view of the embodiment.

**1 Claim, 2 Drawing Sheets**



(56)

References Cited

U.S. PATENT DOCUMENTS

D857,445 S \* 8/2019 Keung ..... D7/392.1  
 D858,182 S \* 9/2019 Keung ..... D7/392.1  
 D862,985 S \* 10/2019 Backs ..... D7/511  
 D870,508 S \* 12/2019 Palkon ..... D7/392.1  
 D871,833 S \* 1/2020 Farsai ..... A47G 19/2266  
 D878,866 S \* 3/2020 Cheng ..... D7/510  
 D884,419 S \* 5/2020 Backs ..... D7/396.2  
 D896,573 S \* 9/2020 Wu ..... D7/392.1  
 D897,760 S \* 10/2020 Feng ..... D7/392.1  
 D897,763 S \* 10/2020 Feng ..... D7/392.1  
 D899,189 S \* 10/2020 Pan ..... D7/510  
 D902,650 S \* 11/2020 Wang ..... D7/396.2  
 D903,403 S \* 12/2020 Ames ..... D7/392.1  
 D903,418 S \* 12/2020 Hu ..... D7/510  
 D905,498 S \* 12/2020 Zhang ..... D7/392.1  
 D907,959 S \* 1/2021 Hao ..... D7/510  
 D909,815 S \* 2/2021 Gui ..... D7/510  
 D911,101 S \* 2/2021 Fang ..... D7/392.1  
 D916,560 S \* 4/2021 Wu ..... D7/392.1  
 D920,046 S \* 5/2021 Backs ..... D7/510  
 D922,135 S \* 6/2021 Chen ..... D7/392.1  
 D922,819 S \* 6/2021 Wang ..... D7/392.1  
 D923,394 S \* 6/2021 Gu ..... D7/392.1  
 D923,396 S \* 6/2021 Lin ..... D7/392.1  
 D929,183 S \* 8/2021 Wahl ..... D7/511  
 D929,184 S \* 8/2021 Wahl ..... D7/511  
 D929,802 S \* 9/2021 Han ..... D7/392.1  
 D934,623 S \* 11/2021 Wang ..... D7/392.1  
 D935,264 S \* 11/2021 Kutlug ..... D7/392.1

D935,265 S \* 11/2021 Chen ..... D7/392.1  
 D935,836 S \* 11/2021 Wang ..... D7/396.2  
 D937,036 S \* 11/2021 Shi ..... D7/392.1  
 D938,223 S \* 12/2021 Chen ..... D7/392.1  
 D938,778 S \* 12/2021 Ge ..... D7/392.1  
 D939,887 S \* 1/2022 Hao ..... D7/392.1  
 D939,888 S \* 1/2022 Wang ..... D7/392.1  
 D940,501 S \* 1/2022 Burga ..... D7/392.1  
 D941,086 S \* 1/2022 Zhou ..... D7/392.1  
 D941,629 S \* 1/2022 Zhou ..... D7/392.1  
 D942,208 S \* 2/2022 Lown ..... D7/392.1  
 D942,211 S \* 2/2022 Backs ..... D7/392.1  
 D942,212 S \* 2/2022 Zhou ..... D7/392.1  
 D942,808 S \* 2/2022 Wang ..... D7/392.1  
 2010/0181329 A1 \* 7/2010 Davies ..... B65D 51/242  
 2012/0187075 A1 \* 7/2012 El-Saden ..... B65D 51/242  
 2014/0048511 A1 \* 2/2014 El-Saden ..... A47G 19/2266  
 2017/0283132 A1 \* 10/2017 Sorensen ..... B65D 43/02  
 2019/0183269 A1 \* 6/2019 Kalisz ..... A47G 19/2272  
 2019/0263572 A1 \* 8/2019 Keung ..... B65D 21/0228  
 2021/0002041 A1 \* 1/2021 Starner ..... B65D 47/32

OTHER PUBLICATIONS

Heakt Beat, Aug. 2, 2019, flushinghospital post, URL: <https://www.flushinghospital.org/newsletter/how-much-water-should-you-drink-during-exercise/> (Year: 2019).\*

\* cited by examiner



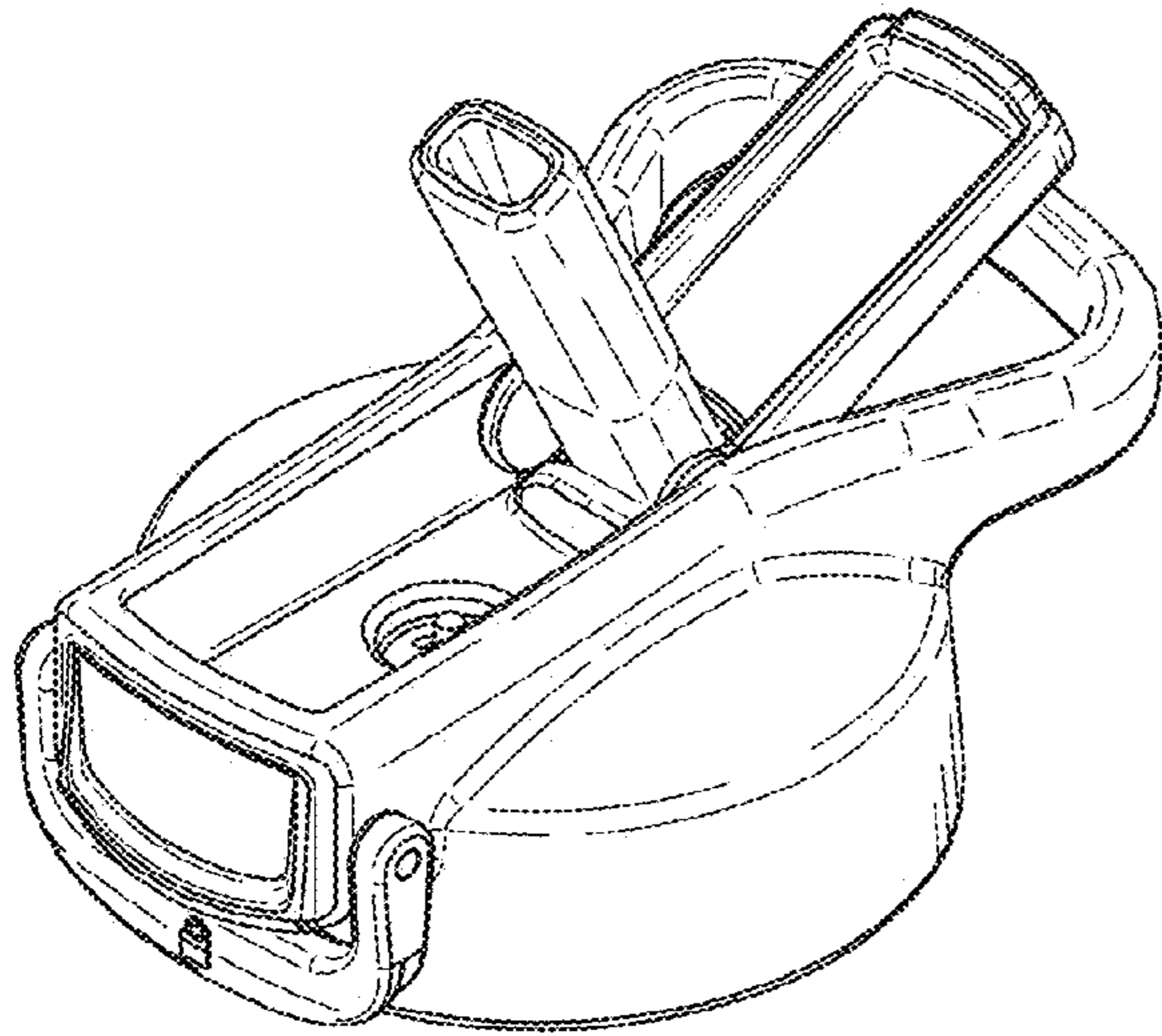


FIG. 1

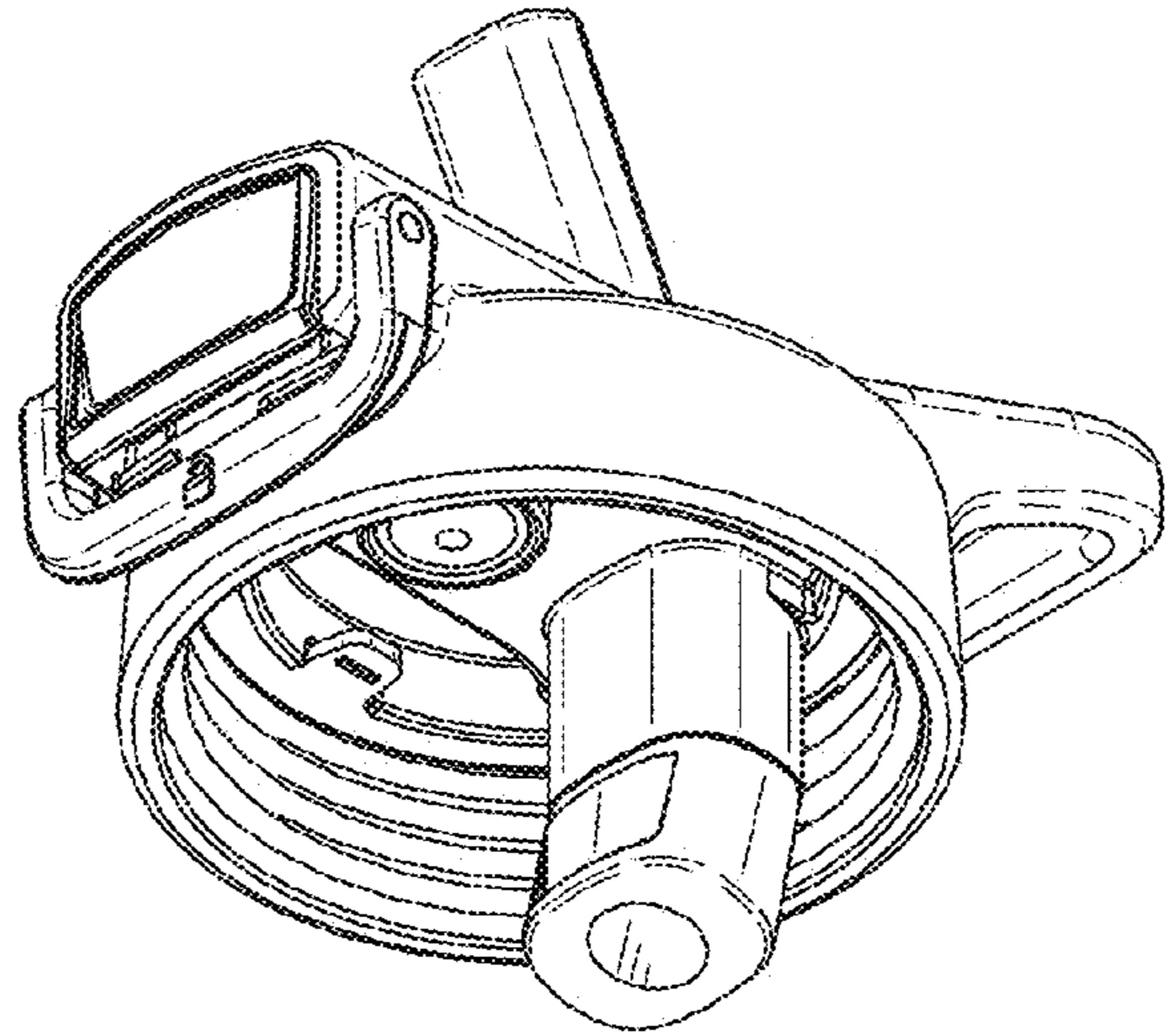


FIG. 2

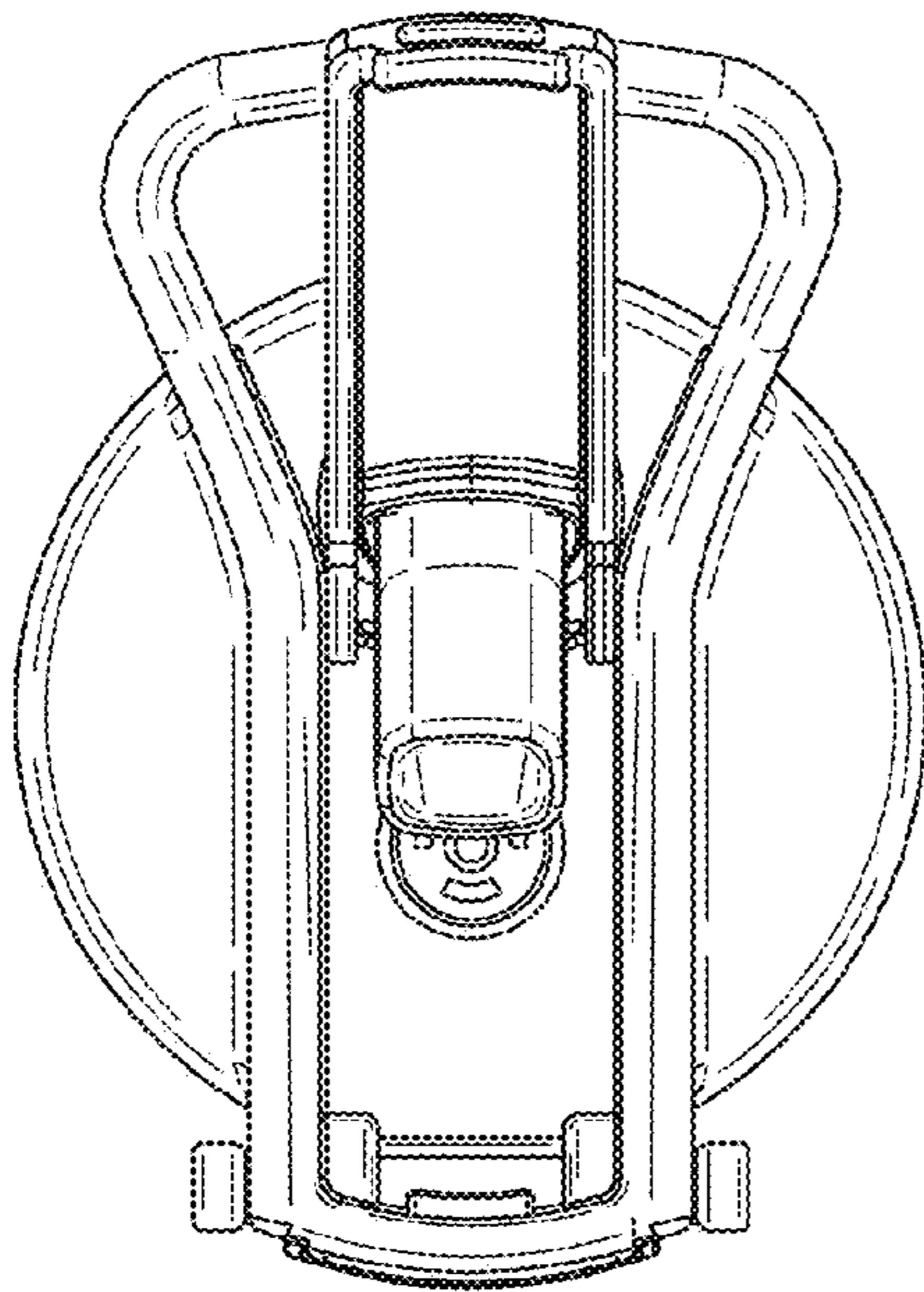


FIG. 3

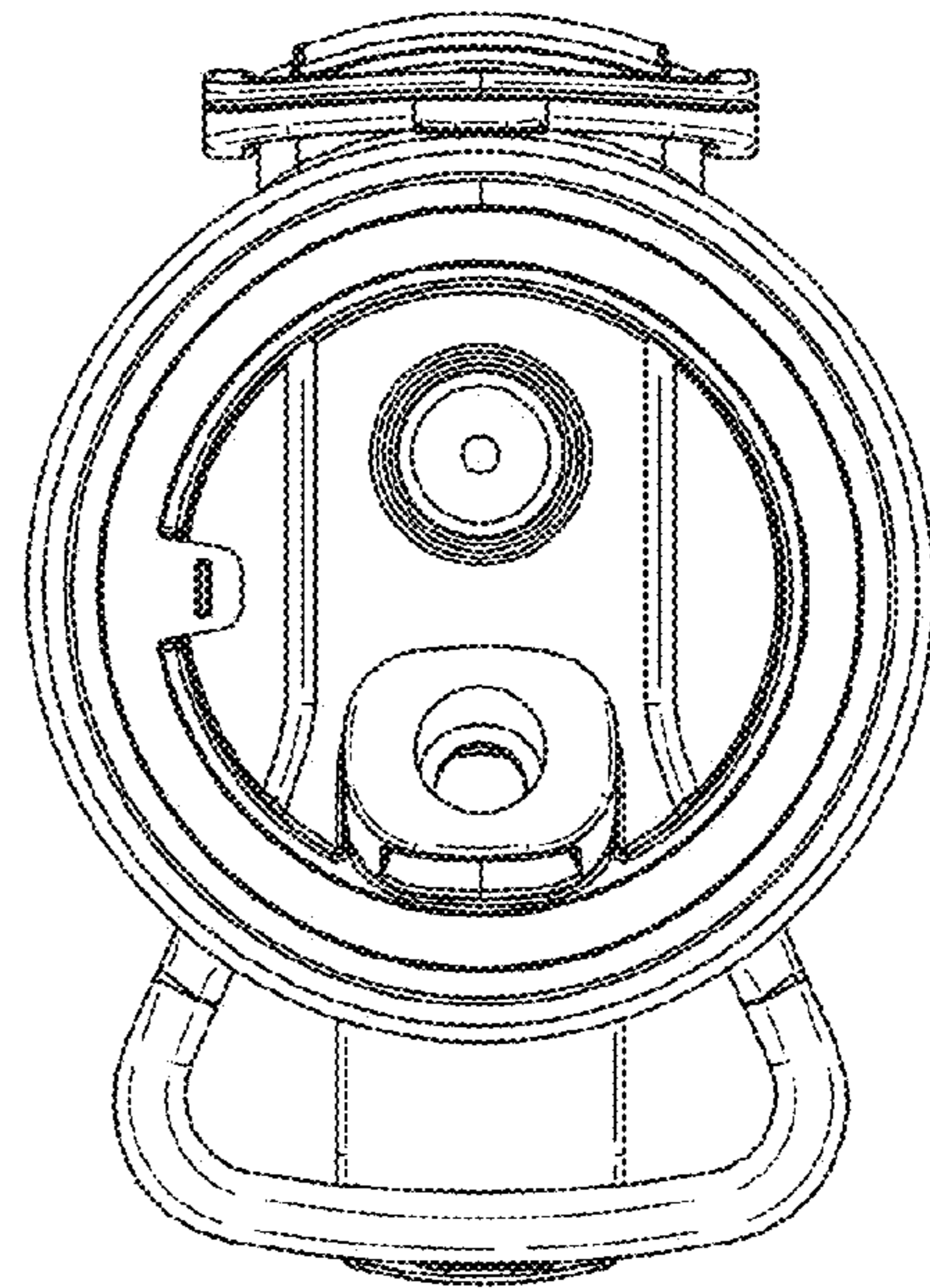


FIG. 4

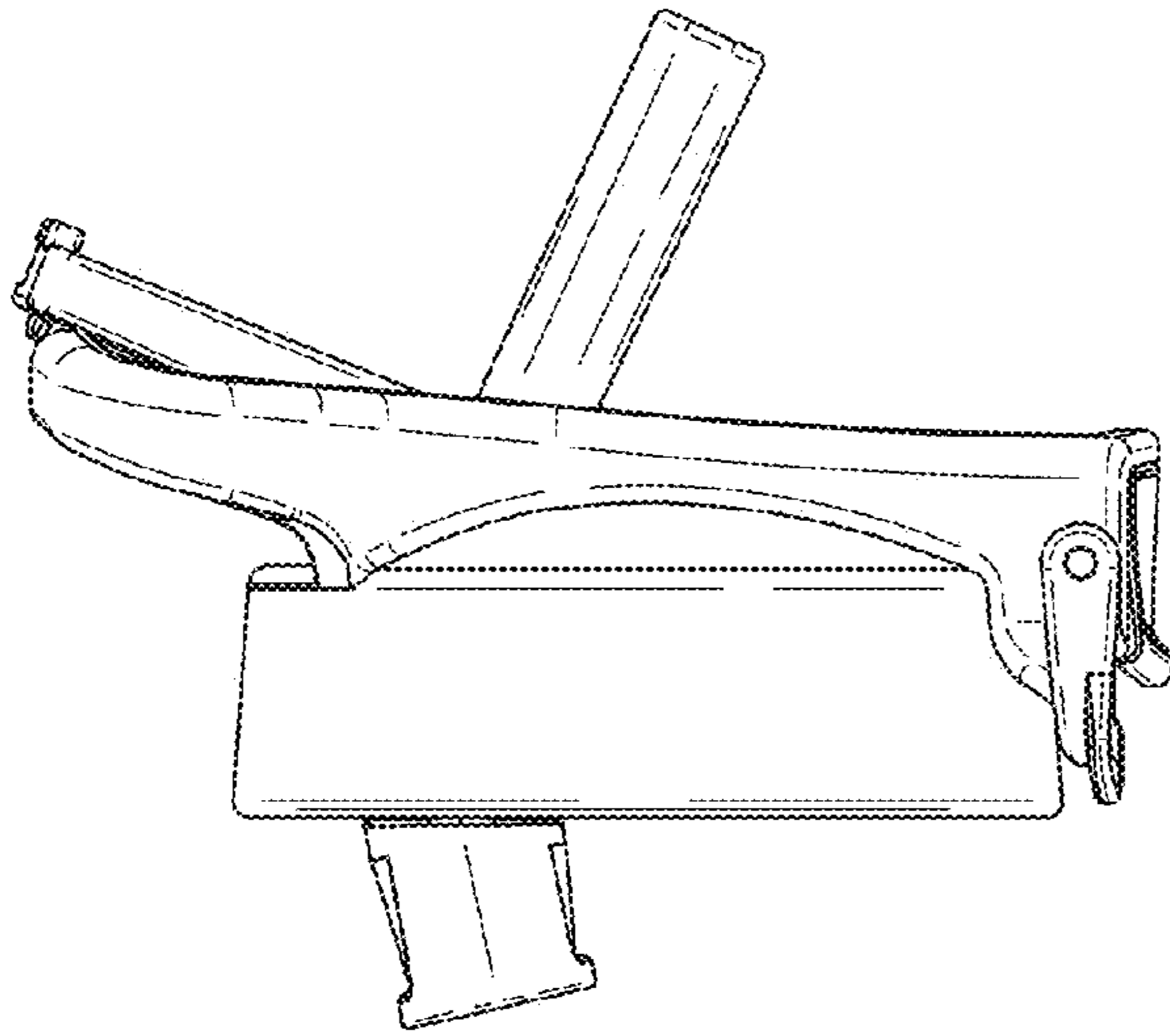


FIG. 5

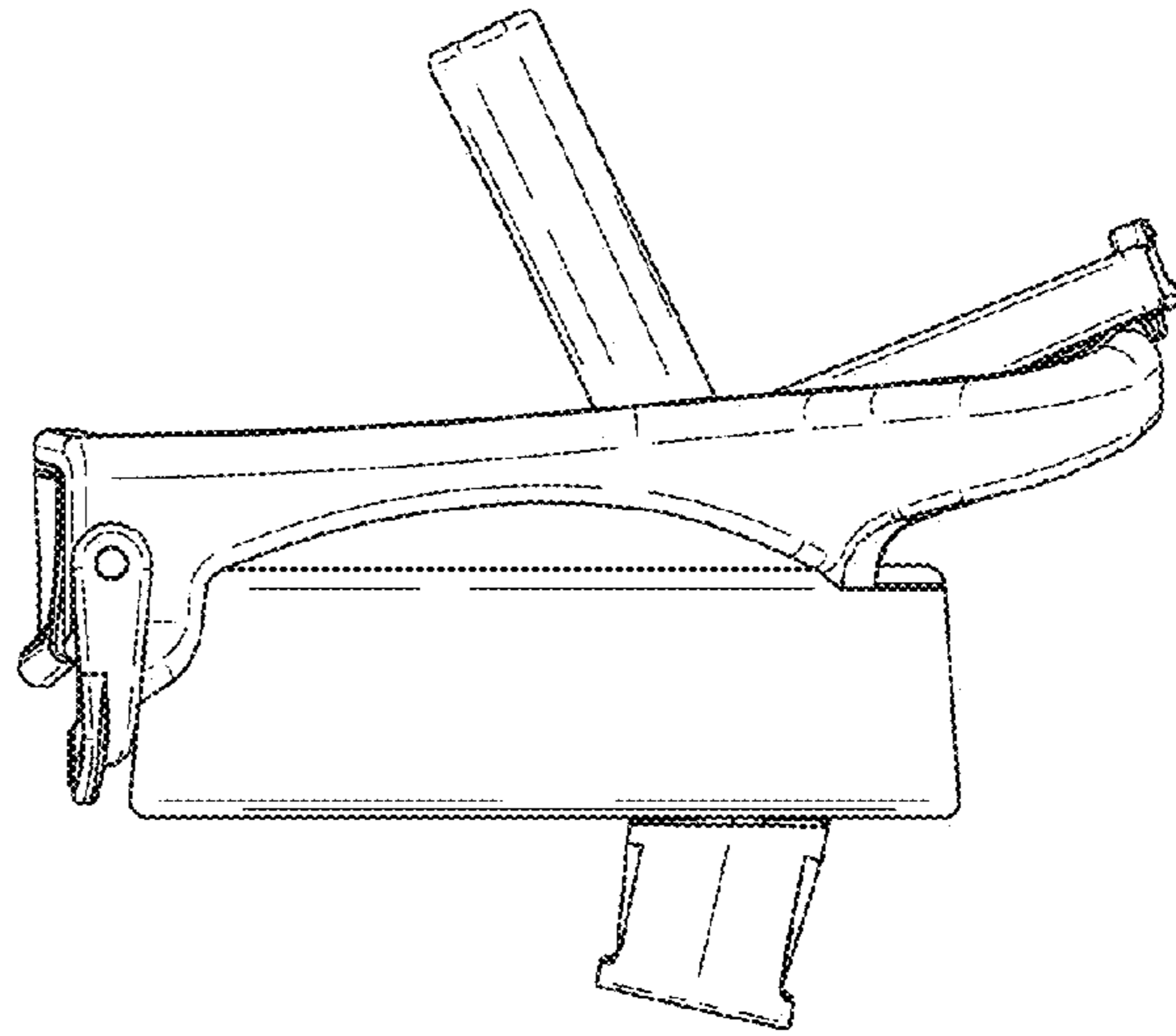


FIG. 6

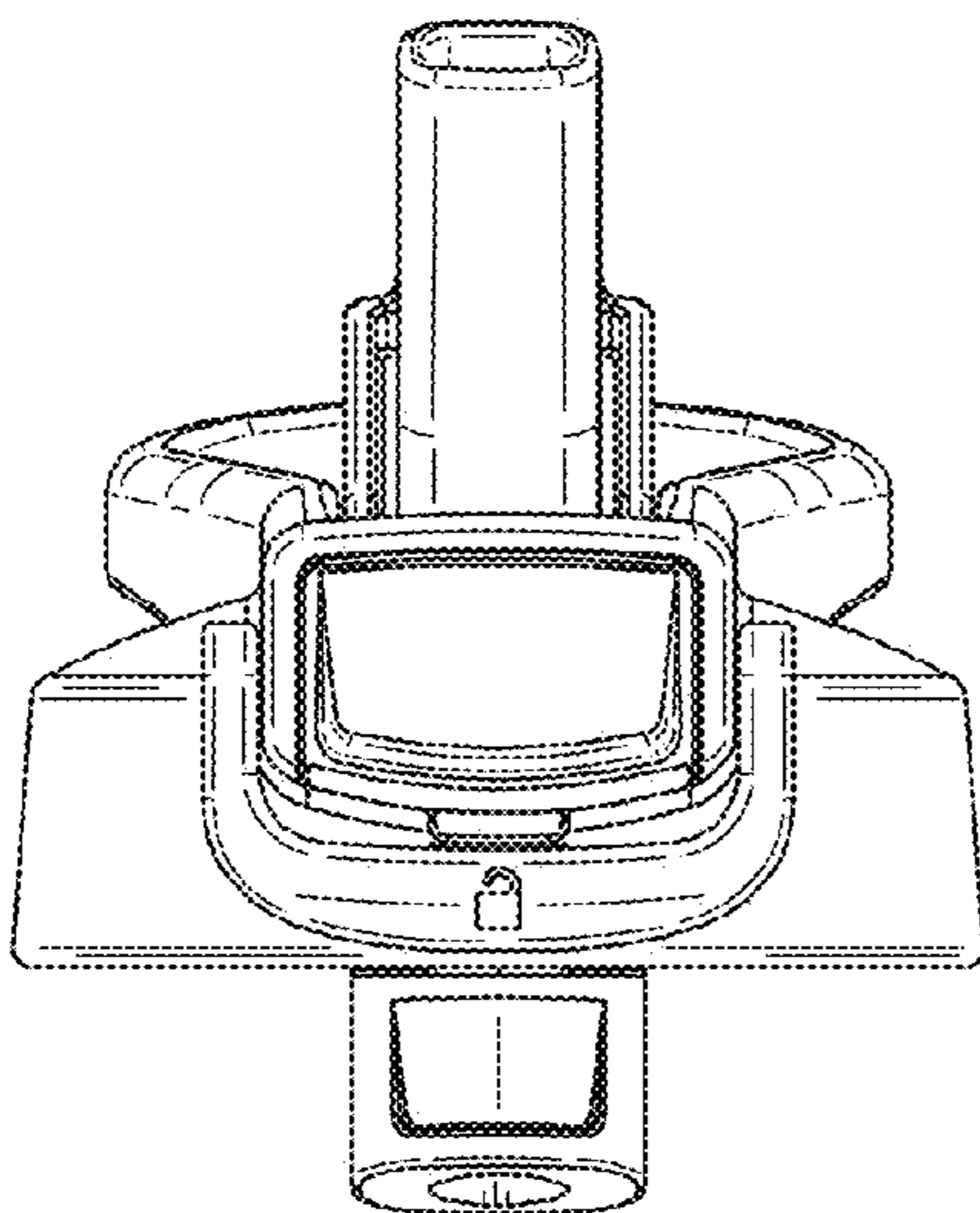


FIG. 7

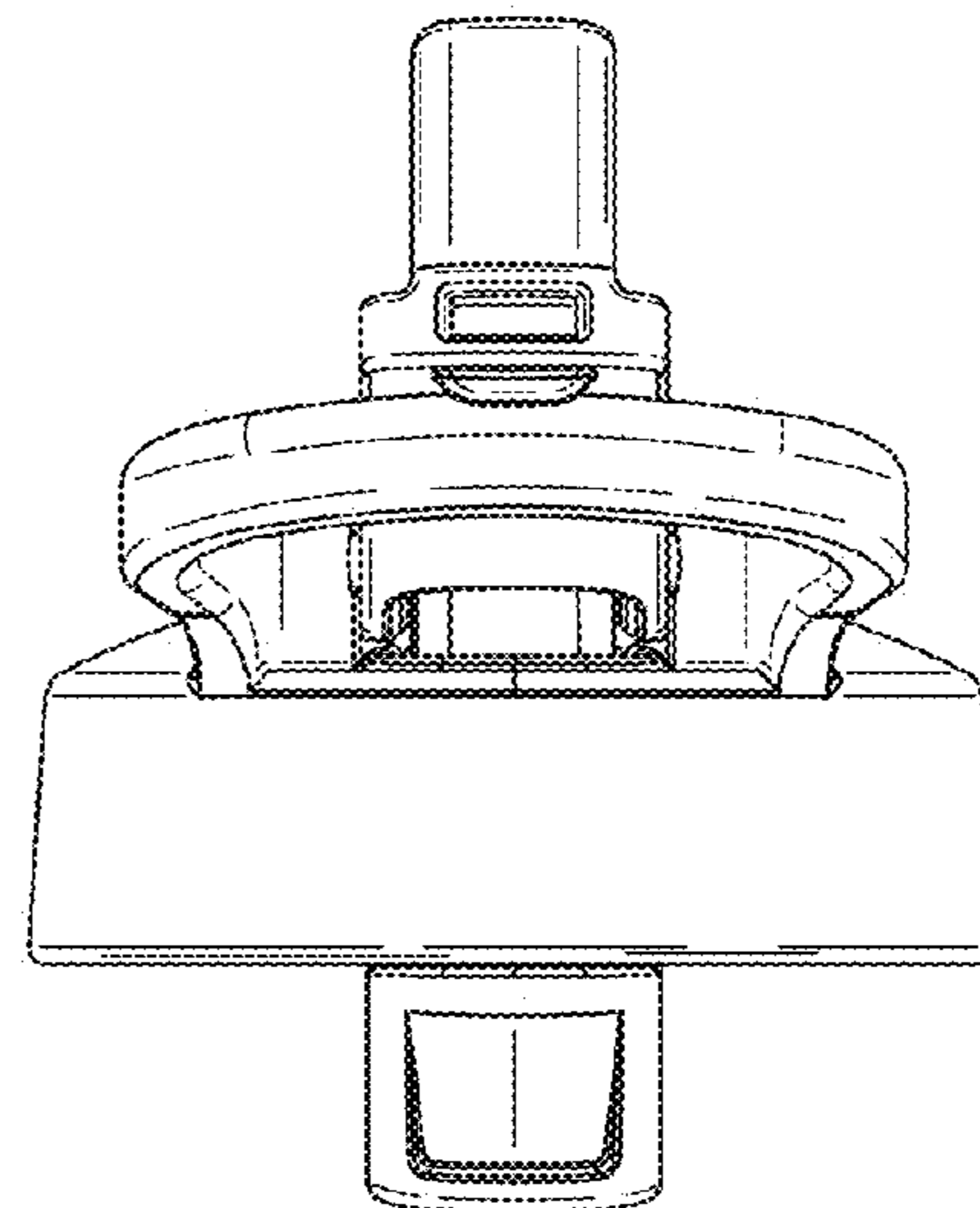


FIG. 8