



US00D954492S

(12) **United States Design Patent** (10) **Patent No.:** **US D954,492 S**
Alles (45) **Date of Patent:** **** Jun. 14, 2022**

(54) **CONTAINER LID WITH HANDLE**

(71) Applicant: **CHASON LLC**, Chicago, IL (US)

(72) Inventor: **Matthew Alles**, Kewaskum, WI (US)

(73) Assignee: **Chason LLC**, Chicago, IL (US)

(**) Term: **15 Years**

(21) Appl. No.: **29/741,042**

(22) Filed: **Jul. 9, 2020**

(51) **LOC (13) Cl.** **09-07**

(52) **U.S. Cl.**

USPC **D7/392.1**; D9/443

(58) **Field of Classification Search**

USPC D9/439, 440, 442-449, 682, 685, 686,
D9/435, 450, 454, 531; D6/515;
D7/507, 509-511, 523, 391, 392, 392.1,
D7/396.2

CPC B65D 83/205; B65D 83/206; B65D 83/40;
B65D 2543/00046; A47G 19/2272

See application file for complete search history.

(56) **References Cited**

U.S. PATENT DOCUMENTS

D325,687 S * 4/1992 Embree D7/510
D325,848 S * 5/1992 Embree D7/510
D326,586 S * 6/1992 Embree D7/510
D418,364 S 1/2000 Demore
D421,571 S * 3/2000 Kilian D9/447
D646,919 S * 10/2011 Nilsson B65D 47/148
D7/510

(Continued)

FOREIGN PATENT DOCUMENTS

CN 305159418 * 5/2019

OTHER PUBLICATIONS

“Pour and Store! Wide Mouth Mason Jar Flip Cap Lid With Handle by County Line Kitchen with Airtight, Leak-Proof Seal and Inno-

vative Flip Cap—Lid Only—Wide Mouth”. Viewed online Oct. 7, 2020 at www.amazon.com. Date first available Jul. 10, 2019. Retrieved from: https://www.amazon.com/County-Line-Kitchen-Leak-Proof-Innovative/dp/B07V4GHXZX/ref=sr_1_3?dchild=1&keywords=county+line+kitchen&qid=1602103527&sr=8-3.

(Continued)

Primary Examiner — Brett Miller

Assistant Examiner — Rani J Abdallah

(74) *Attorney, Agent, or Firm* — Honigman LLP

(57) **CLAIM**

The ornamental design for a container lid with handle, as shown and described.

DESCRIPTION

FIG. 1 is a top, rear, left perspective view of a first embodiment of a container lid with handle, showing my new design;

FIG. 2 is a top, rear, right perspective view thereof;

FIG. 3 is a front elevation view thereof;

FIG. 4 is a rear elevation view thereof;

FIG. 5 is a left side elevation view thereof;

FIG. 6 is a right side elevation view thereof;

FIG. 7 is a top plan view thereof;

FIG. 8 is a bottom plan view of the container lid with handle as shown in FIGS. 1-7 which shows the container lid with handle in a closed configuration.

FIG. 9 is a left side elevation view of the container lid with handle of FIG. 1, shown in a partially open configuration for clarity of disclosure;

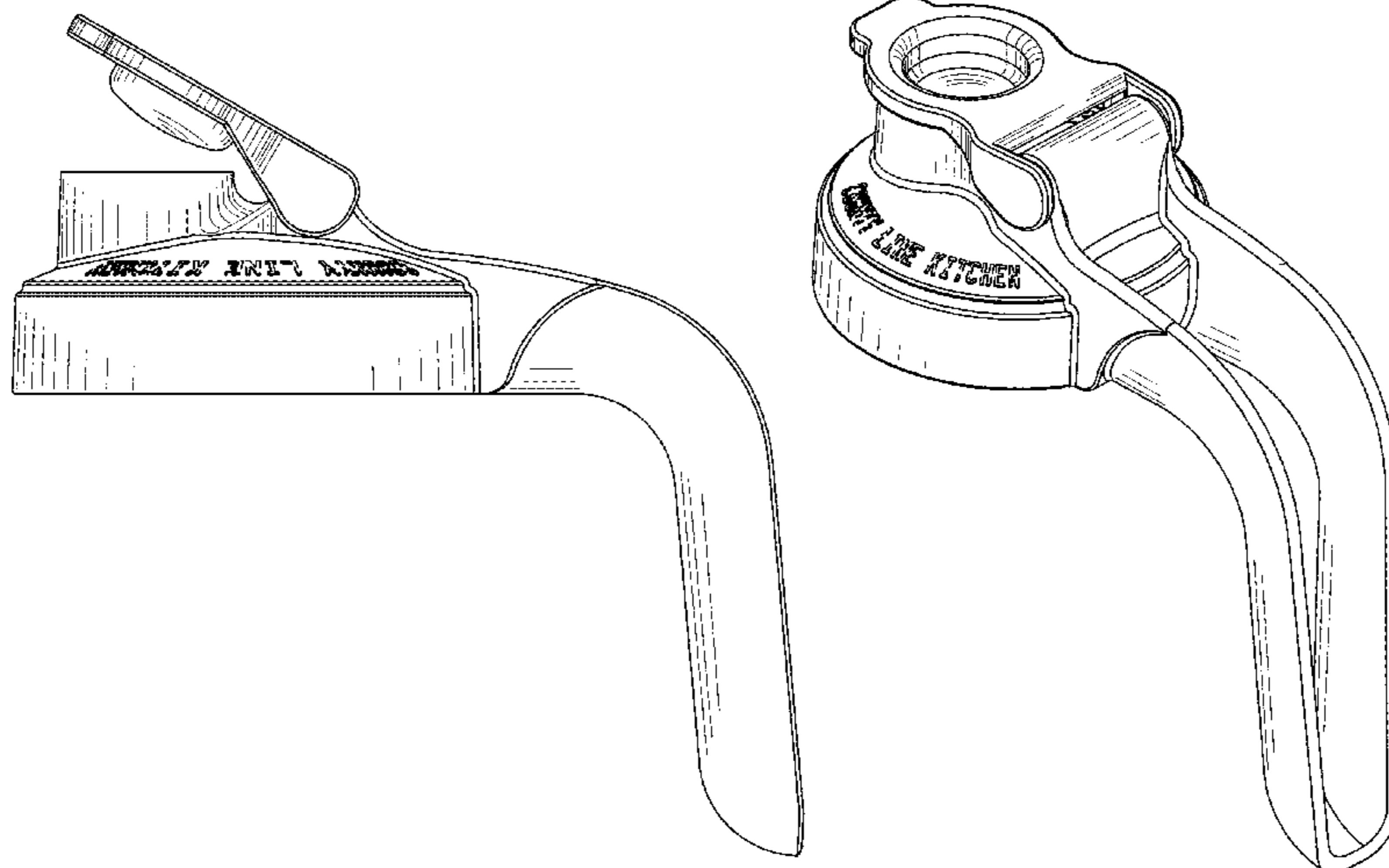
FIG. 10 is a top plan view of the container lid with handle of FIG. 1, shown in a fully open configuration for clarity of disclosure;

FIG. 11 is a top, rear, left perspective view of a second embodiment of a container lid with handle; and,

FIG. 12 is a top plan view thereof.

The broken lines in the drawings depict portions of the container lid with handle that form no part of the claimed design.

1 Claim, 12 Drawing Sheets



(56)

References Cited

U.S. PATENT DOCUMENTS

D682,016	S	5/2013	Knight	
D702,489	S	4/2014	Steel et al.	
D739,174	S *	9/2015	Elsaden	D7/392.1
D746,679	S *	1/2016	Jasso Gomez	D9/443
D747,624	S	1/2016	Walker	
D752,381	S	3/2016	Wahl	
D755,562	S	5/2016	Lindsay	
D758,127	S *	6/2016	Zhao	D7/392.1
9,492,024	B2 *	11/2016	Sorensen	A47G 19/2272
D779,872	S *	2/2017	Bergstrom	D7/392.1
D820,038	S	6/2018	Sorensen et al.	
D826,631	S	8/2018	Baron et al.	
D854,880	S	7/2019	Meyers et al.	
D869,230	S	12/2019	Hao	
D886,515	S *	6/2020	Eyal	D7/392.1
D887,771	S *	6/2020	Washburn	D7/392.1
D887,781	S *	6/2020	Bergstrom	D7/510
D889,193	S	7/2020	Alles	
D922,137	S *	6/2021	Chen	D7/392.1
D926,521	S *	8/2021	Gronkowski	D7/510
2018/0170630	A1	6/2018	Ayriss et al.	
2019/0112112	A1	4/2019	Choltco-Devlin et al.	
2019/0135506	A1	5/2019	Merrigan et al.	

OTHER PUBLICATIONS

“BlenderBottle Classic Shaker Bottle”. Found online Oct. 26, 2016 at amazon.com. Page dated Jul. 19, 2004. Retrieved from <https://www.amazon.com/BlenderBottle-Classic-Shaker-Bottle-28-ounce/dp/B0018G4ZEW>.

“County Line Kitchen: Cold Brew Mason Jar Coffee Maker”. Found online Feb. 9, 2020 at amazon.com. Reference dated Nov. 6, 2017. Retrieved from <https://www.amazon.com/...e-kitchen%2F&slotNum=3&imprToken=0uyfEdbersUcZWBySo2gMQ&adType=smart&adMode=auto&adFormat=strip&impressionTimestamp=1581284616187>.

“reCAP Mason Jars Pour Cap”. Found online Aug. 18, 2015 at amazon.com. Reference dated Mar. 26, 2013. Retrieved from http://www.amazon.com/reCAP-Mason-Jars-Pour-Cap/dp/B00AYPU4UM/ref=cm_cr_pr_product_top?ie=UTF8.

“My Mason Makes Wide Moutn Mason Jar Lids for Drinking, Pouring, storing (2 Lids, 2 Handles, 2 Pour Caps, 2 Filters)—Updated Material and Handle”. Viewed on Oct. 7, 2020 at www.amazon.com. Date first available Sep. 17, 2019. retrieved from: https://www.amazon.com/Drinking-Pouring-Storing-Handles-Filters/dp/B07VVF8452S/ref=pd_sbs_79_6/133-5683832-4702406?encoding=UTF8&pd_rd_i=B07VVF8452S&pd_rd_r=f28443b9-8044-4b6f-99d5-.

“Zaldita Multi Top Flip Cap Lid Leakproof Wide Mouth Mason Jar Lids Bottle Lid with Handle to Drink Sip Pour Store Black One Size”. Viewed on Oct. 7, 2020 at www.amazon.com. Date first available May 4, 2020. Retrieved from https://www.amazon.com/Zaldita-Multi-Leakproof-Bottle-Handle/dp/B0883FFJPZ/ref=pd_sbs_79_31?encoding=UTF8&pd_rd_i=B0883FFJPZ&pd_rd_r=f28443b9-8044-4b6f-99d5-f02a7b1442f6&pd_rd_w=DTrgr&pd_rd_wg=8uOm8&pf_rd_p=b65ee94e-1282-43fc-.

“Ergo Spout mason jar pitcher, mason jar pour spout lid, pancake maple syrup dispenser, salad dressing dispenser (Regular Mouth, Vintage Blue—Teal)”. Viewed on Oct. 7, 2020 at www.amazon.com. Date first available Feb. 2, 2019. Retrieved from https://www.amazon.com/BPA-free-Ergonomic-Handle-Regular-Vintage/dp/B07NCG861L/ref=sr_1_41?dchild=1&keywords=mason+jar+lid+handle&qid=1602112065&sr=8-41.

* cited by examiner

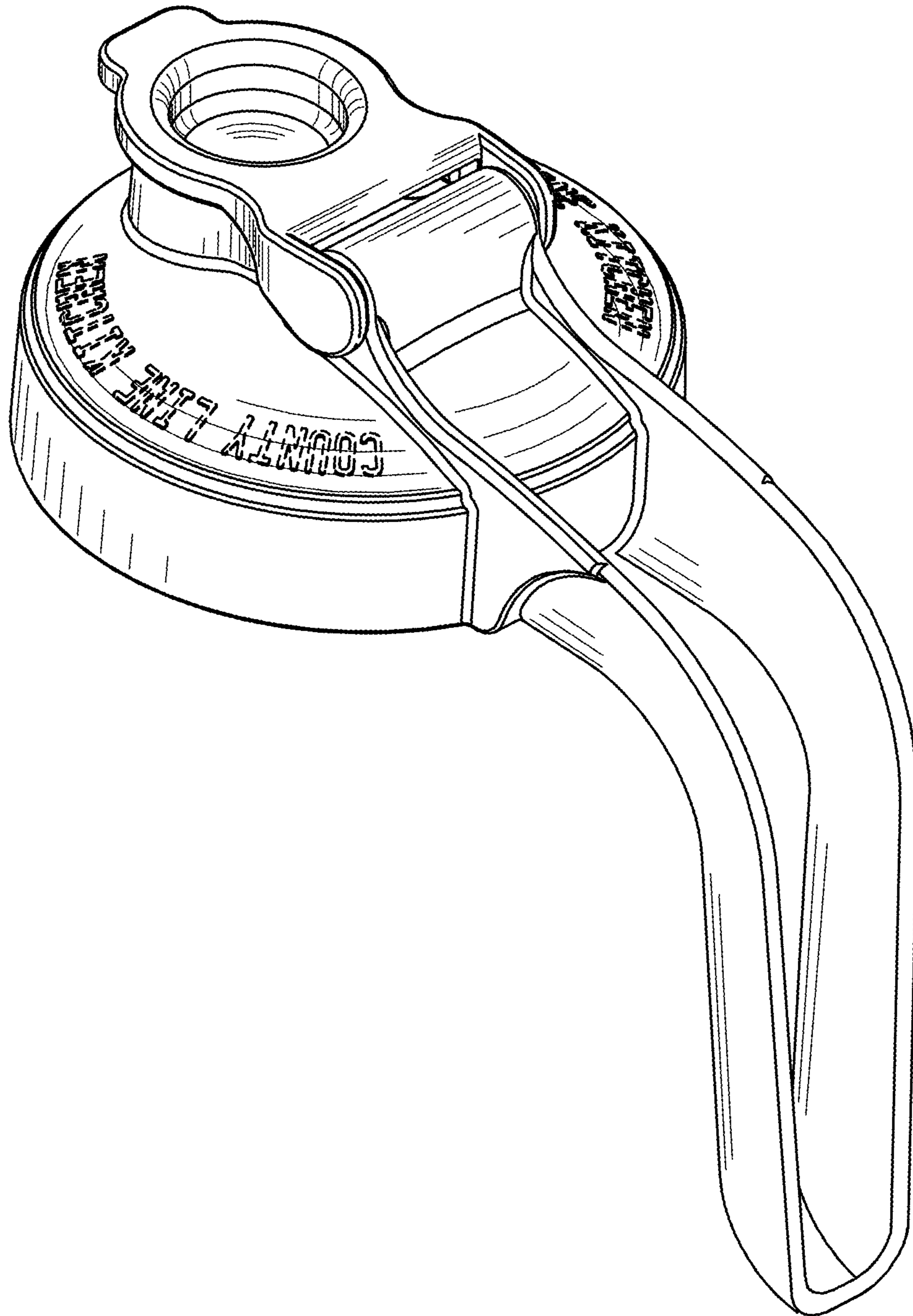


Fig. 1

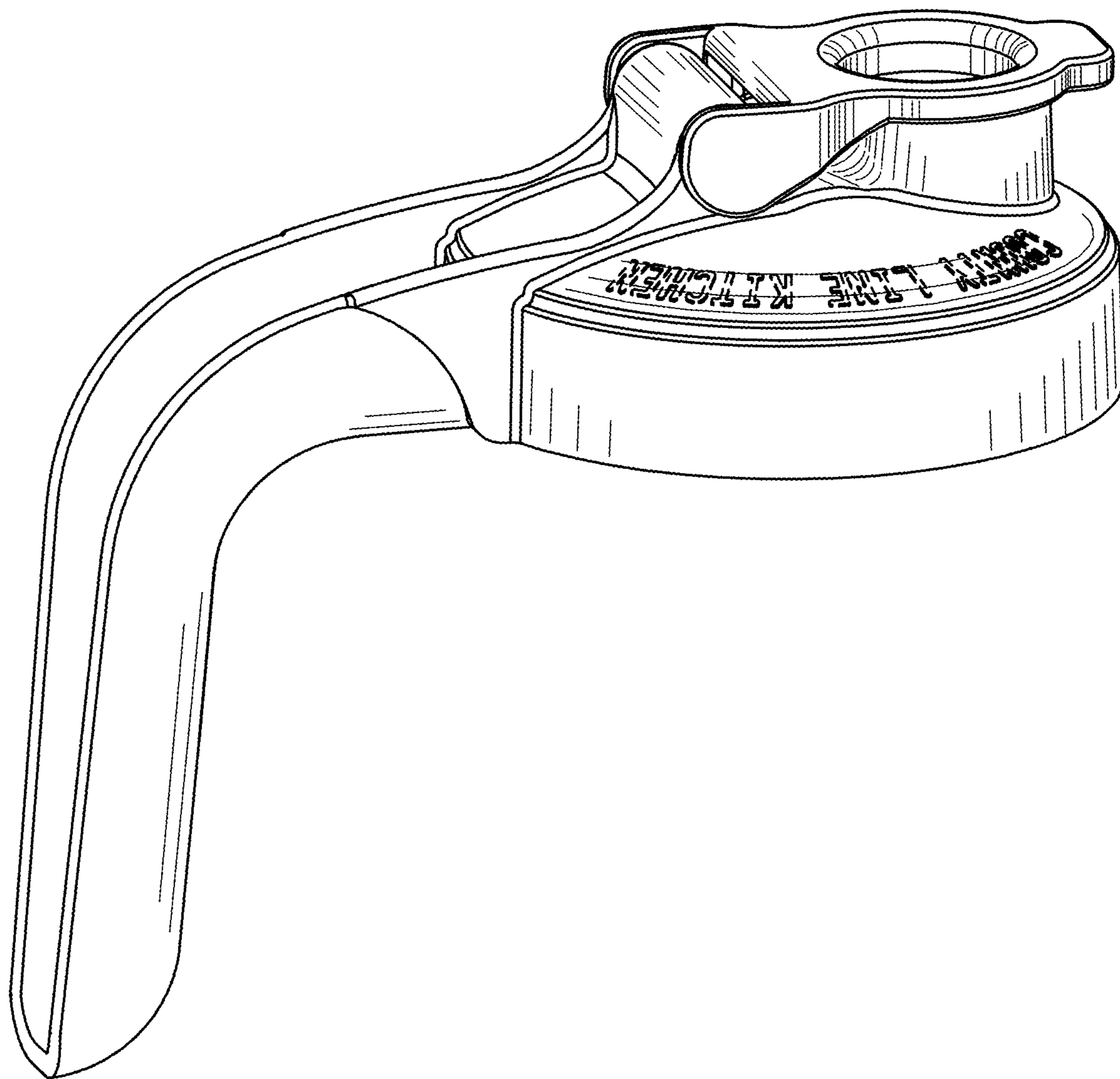


Fig. 2

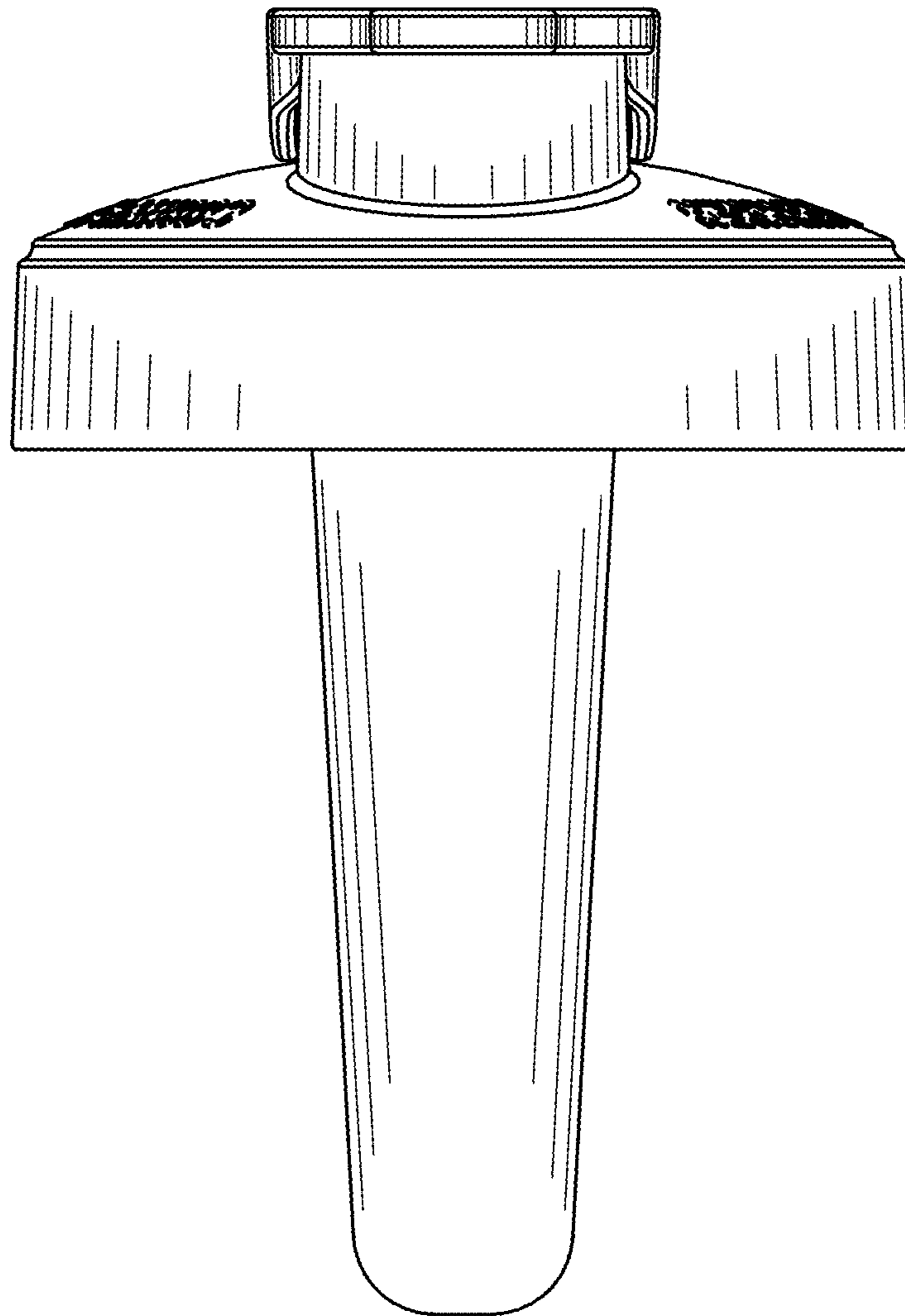


Fig. 3

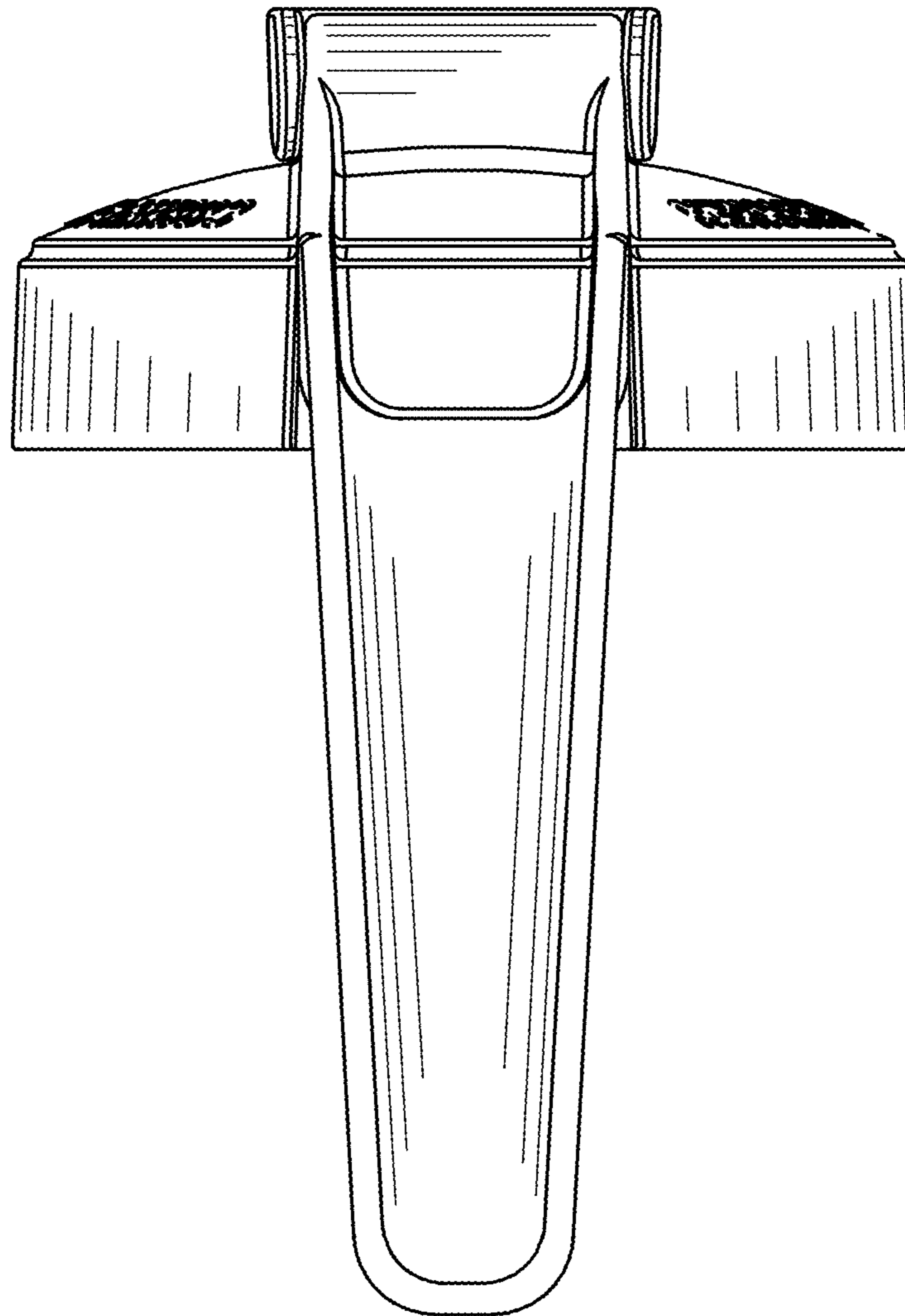


Fig. 4

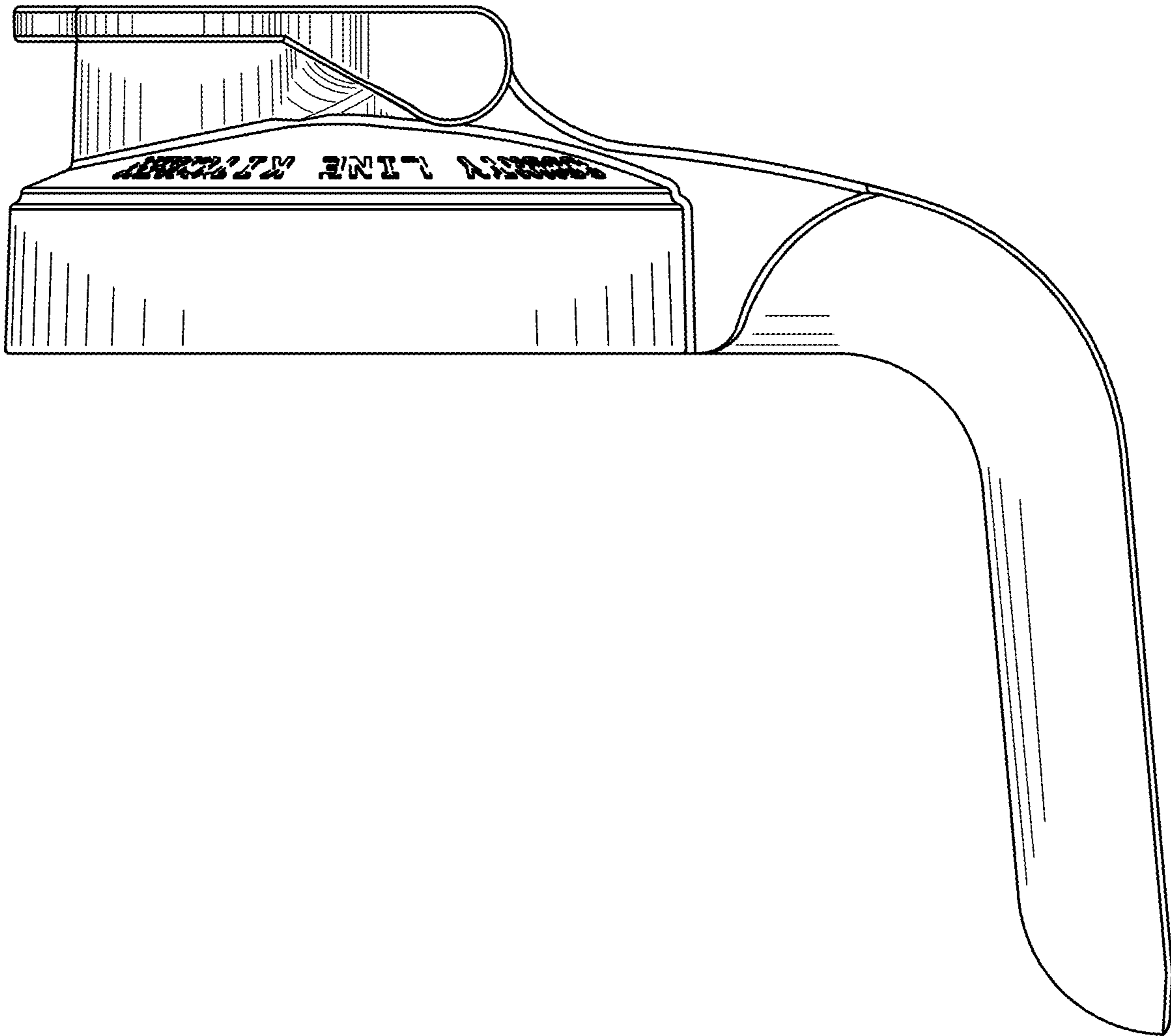


Fig. 5

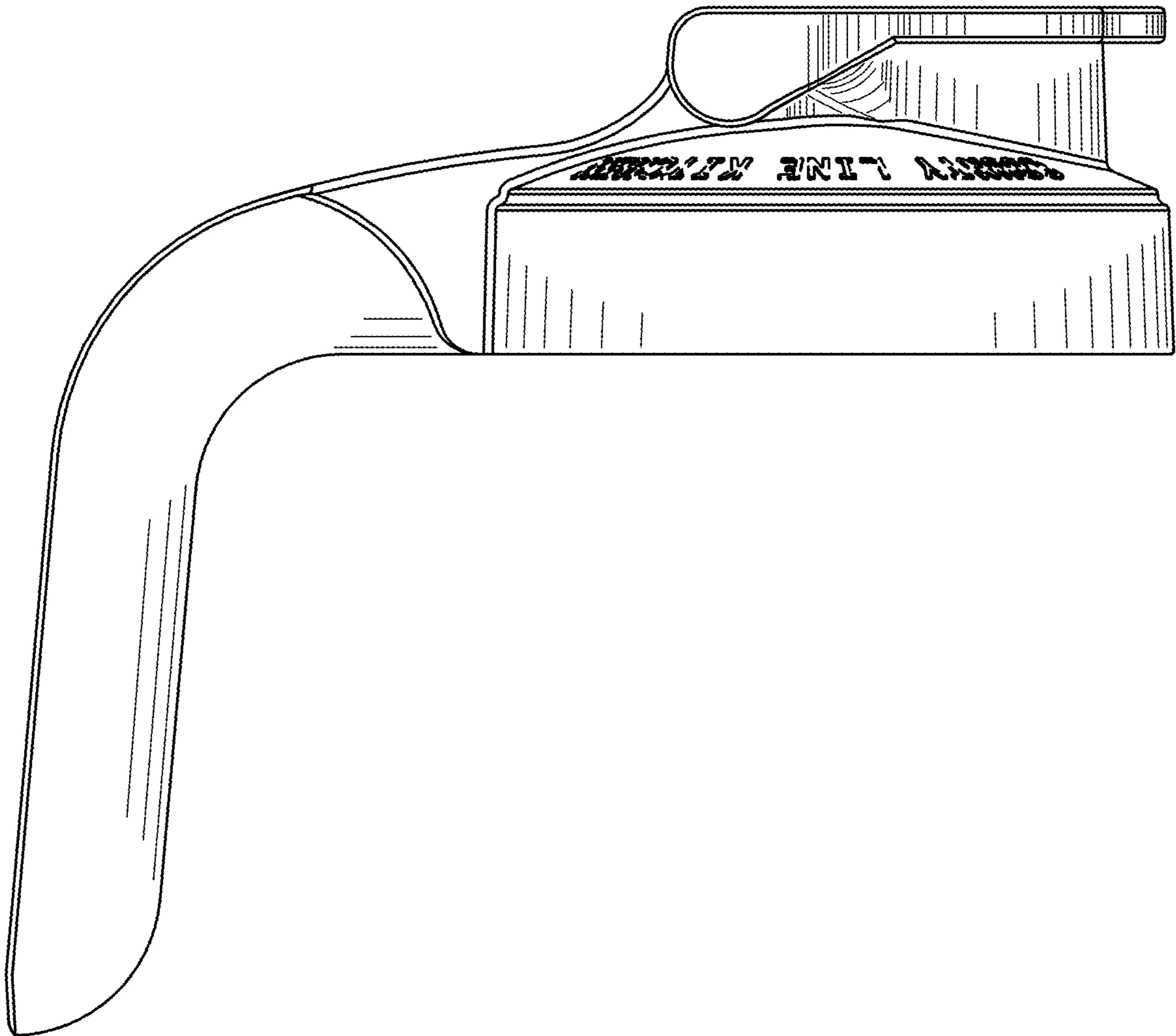


Fig. 6

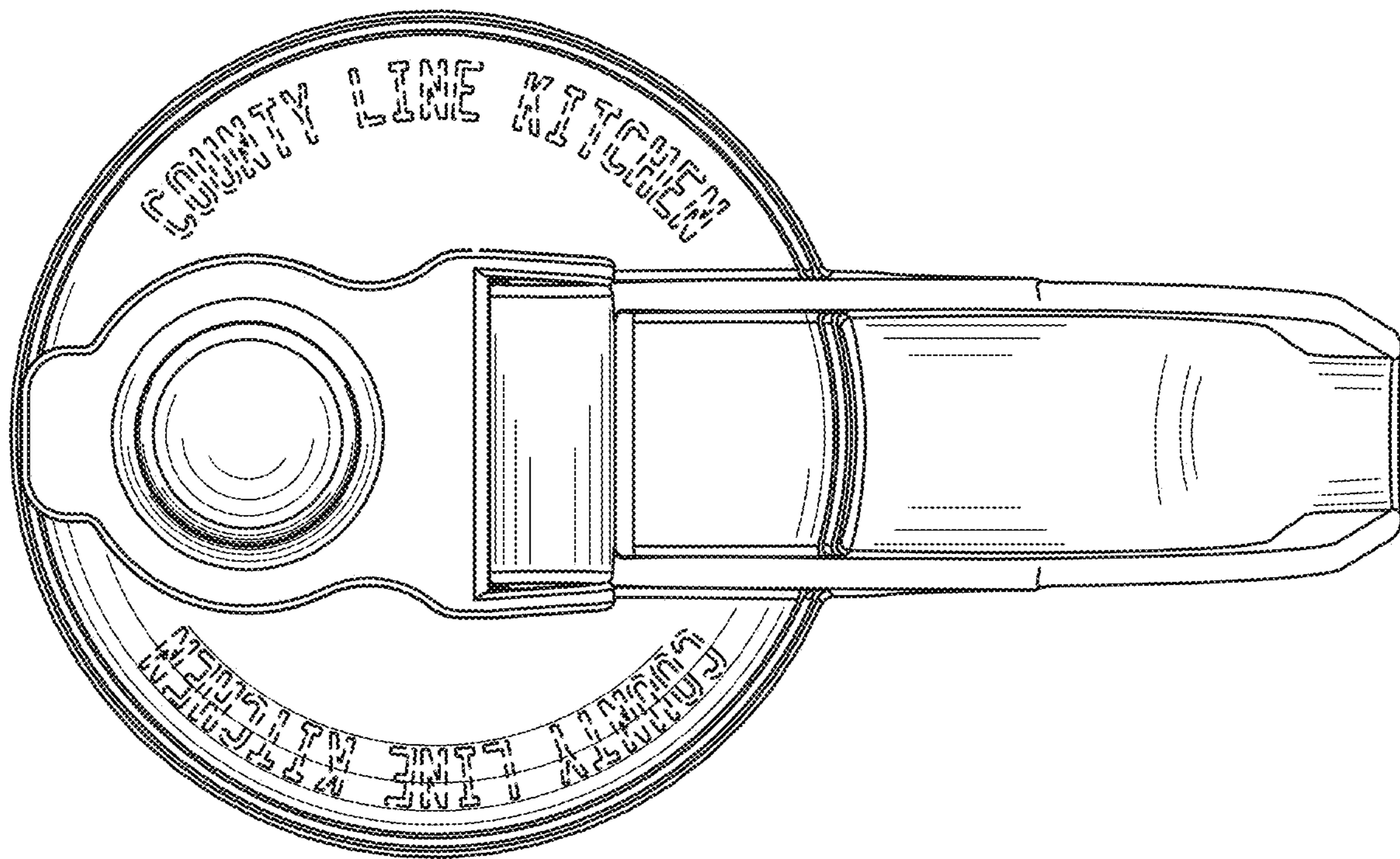


Fig. 7

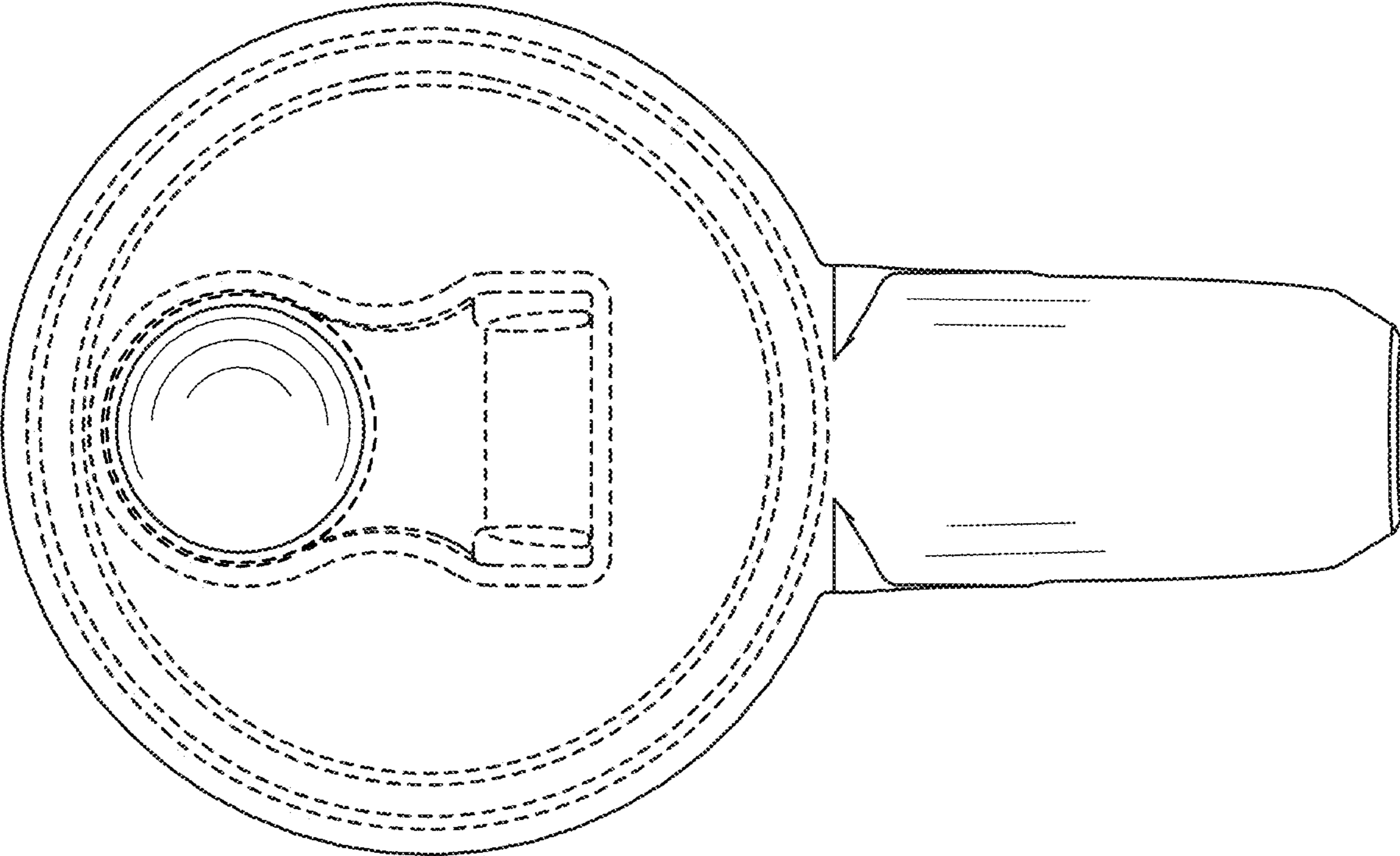


Fig. 8

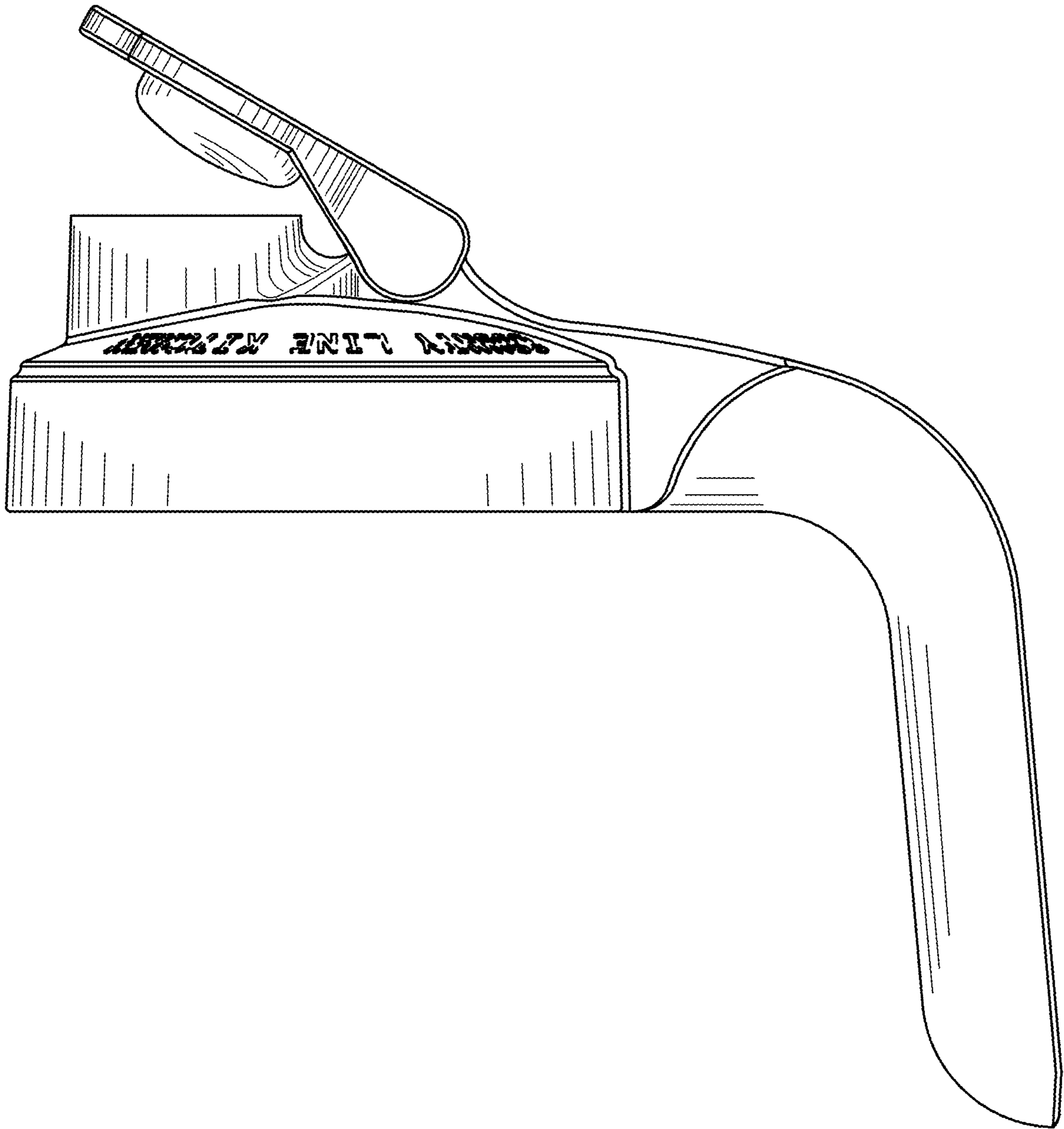


Fig. 9

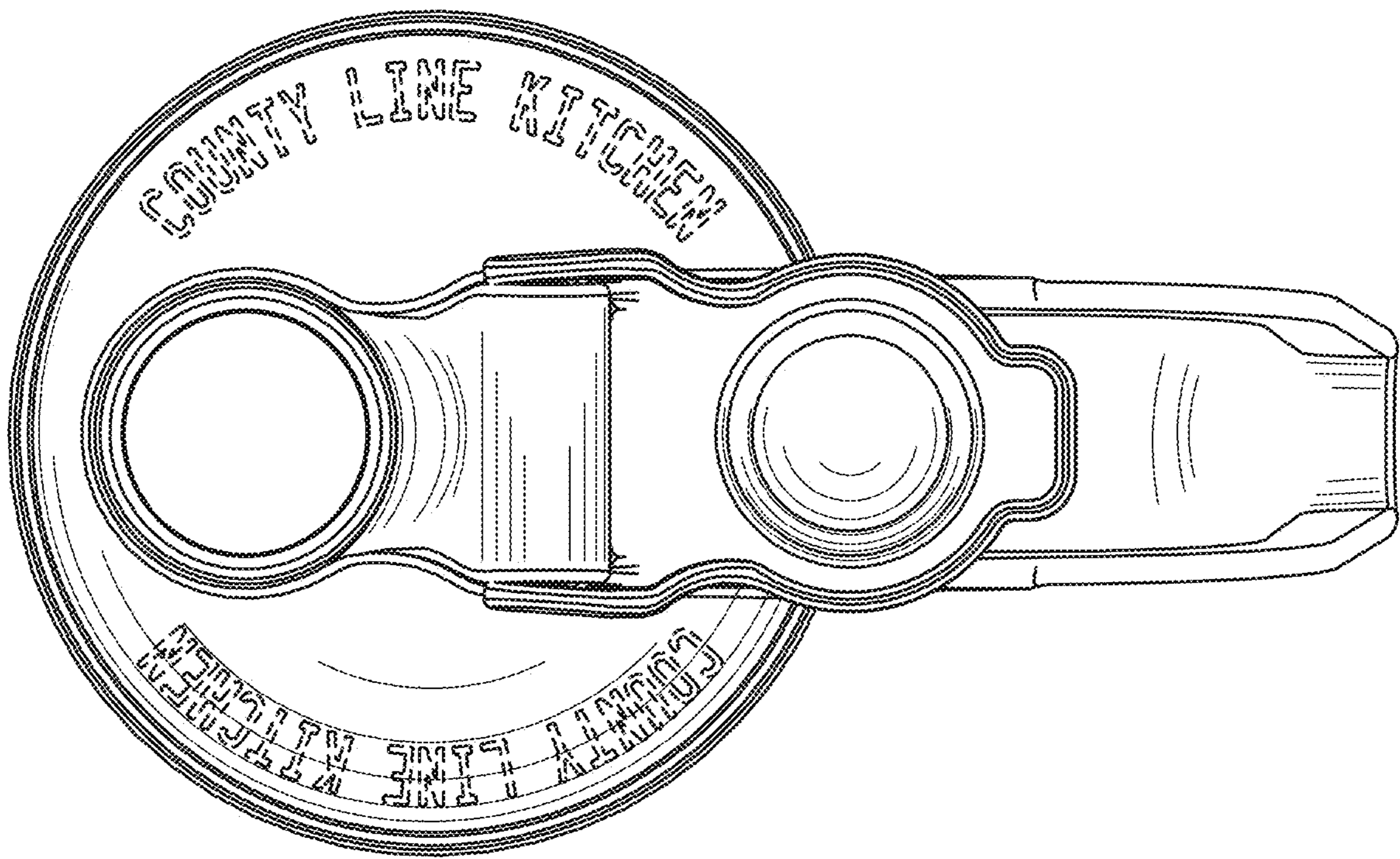


Fig. 10

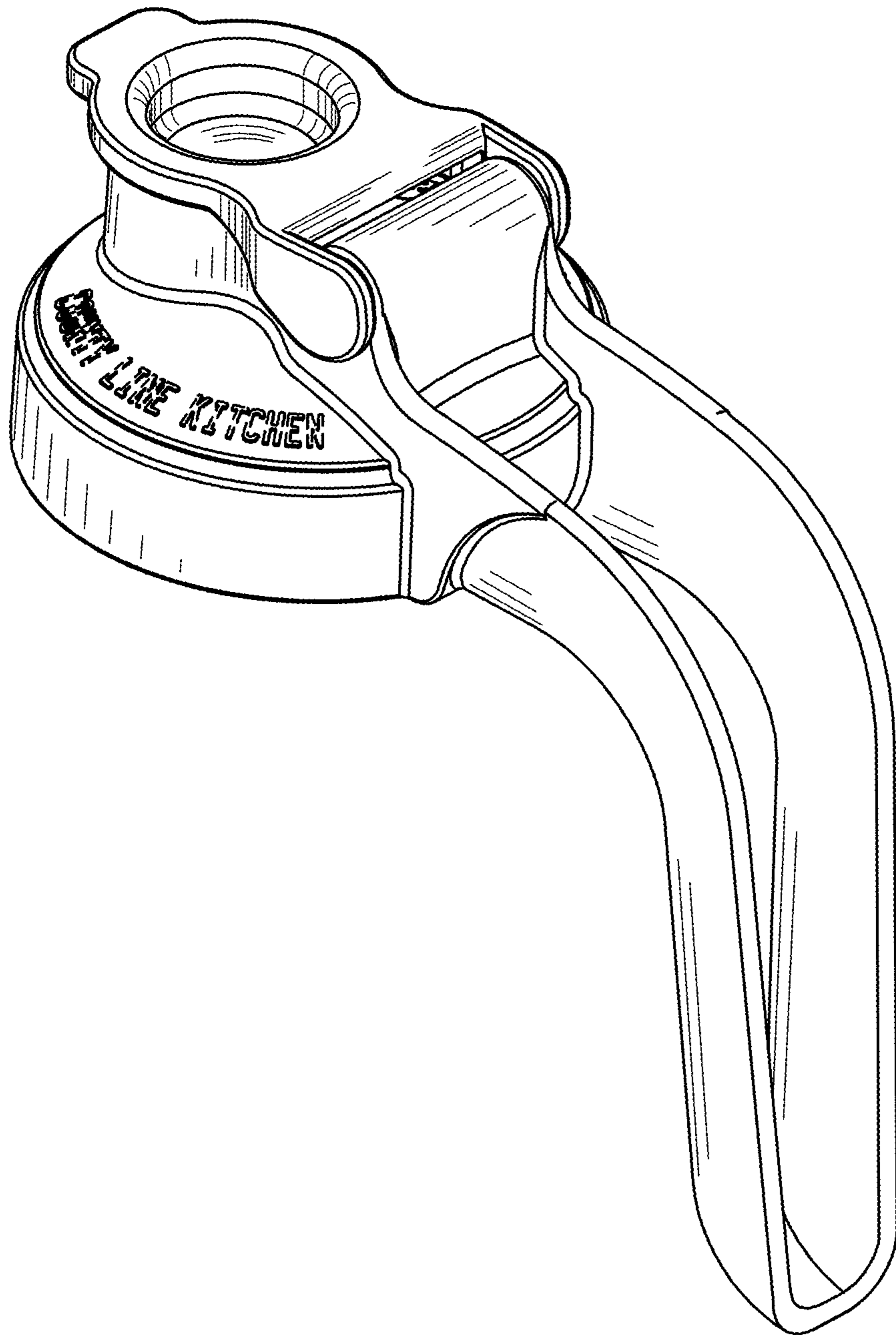


Fig. 11

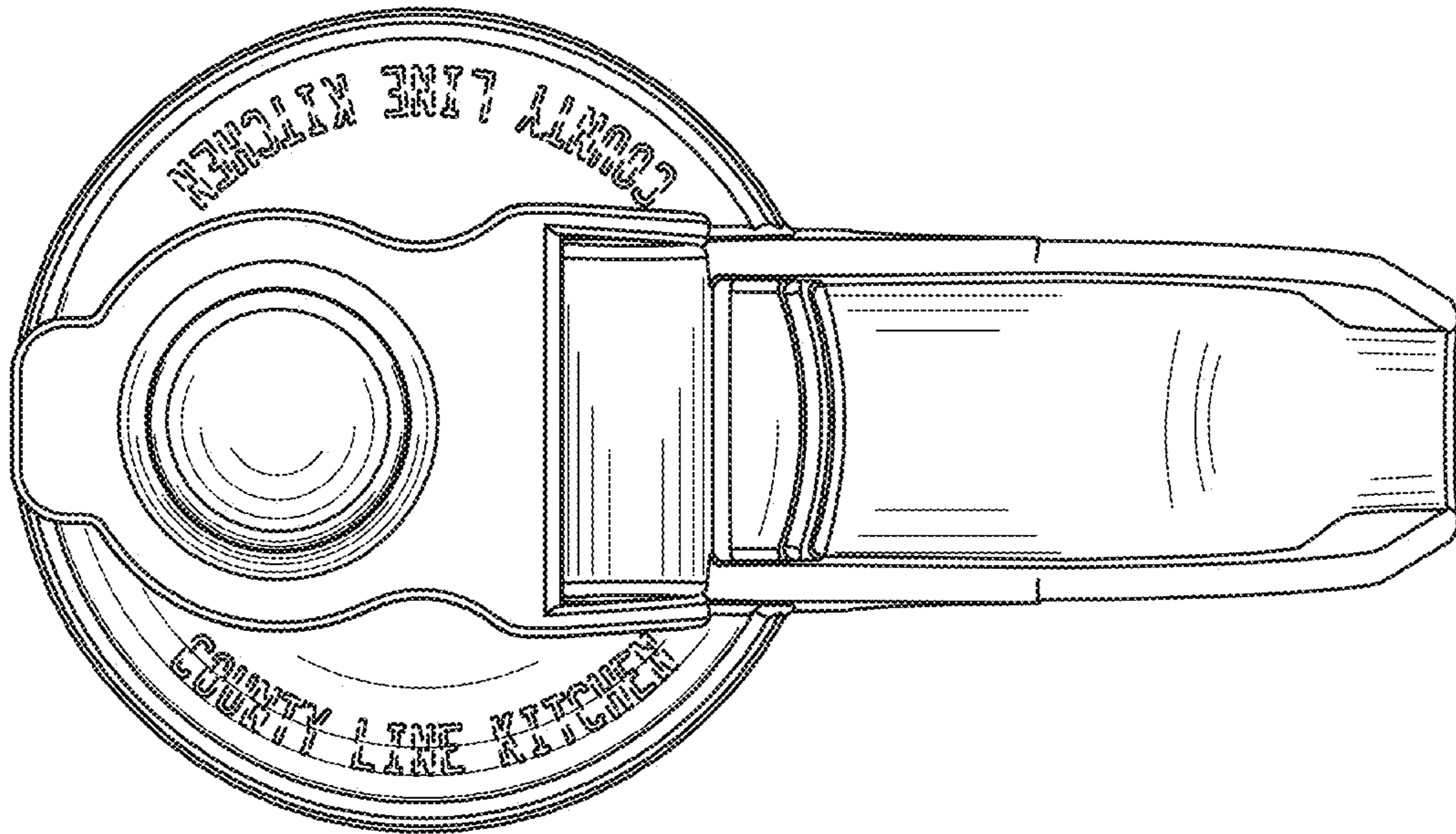


Fig. 12