



US00D954491S

(12) **United States Design Patent**
Sun et al.

(10) **Patent No.:** **US D954,491 S**
(45) **Date of Patent:** **** Jun. 14, 2022**

(54) **SKILLET**

(71) Applicant: **COASTAL COCKTAILS, INC.**,
Irvine, CA (US)

(72) Inventors: **Alan Sun**, Irvine, CA (US); **Amit Pinhasy**, Irvine, CA (US)

(73) Assignee: **COASTAL COCKTAILS, INC.**,
Irvine, CA (US)

(**) Term: **15 Years**

(21) Appl. No.: **29/764,642**

(22) Filed: **Dec. 31, 2020**

(51) **LOC (13) Cl.** **07-02**

(52) **U.S. Cl.**
USPC **D7/361; D7/354**

(58) **Field of Classification Search**
USPC D7/323, 354–363, 387, 391, 393–396,
D7/409, 540; D30/132

CPC A47G 19/12; A47J 27/00; A47J 27/002;
A47J 27/08; A47J 27/21; A47J 27/58;
A47J 27/122; A47J 36/025; A47J 36/06;
A47J 36/08; A47J 36/12; A47J 36/20;
A47J 36/26; A47J 37/00; A47J 37/10;
A47J 37/101; A47J 37/103; A47J 37/12;
A47J 37/1204; A47J 45/061; A47J
45/071; A47J 45/08; H05B 6/12

See application file for complete search history.

(56) **References Cited**

U.S. PATENT DOCUMENTS

D276,398 S * 11/1984 Conti D7/354
D506,352 S * 6/2005 Dow D7/361

D596,451 S * 7/2009 Wu D7/361
D653,902 S * 2/2012 Chen D7/361
D681,888 S * 5/2013 Fang D30/132
D700,004 S * 2/2014 Weskamp D7/360
D807,682 S * 1/2018 Lee D7/359
D808,209 S * 1/2018 Lee D7/359
D825,977 S * 8/2018 Maffei, Jr. D7/354

OTHER PUBLICATIONS

Petromax Poultry Roaster Pan. Date last reviewed on Amazon.com Jun. 12, 2019. <https://www.amazon.com/Petromax-Cast-Iron-Poultry-Roaster/dp/B01CPIHK52/ref> (Year: 2019).*

* cited by examiner

Primary Examiner — Ricky Pham

(74) *Attorney, Agent, or Firm* — Duane Morris LLP

(57) **CLAIM**

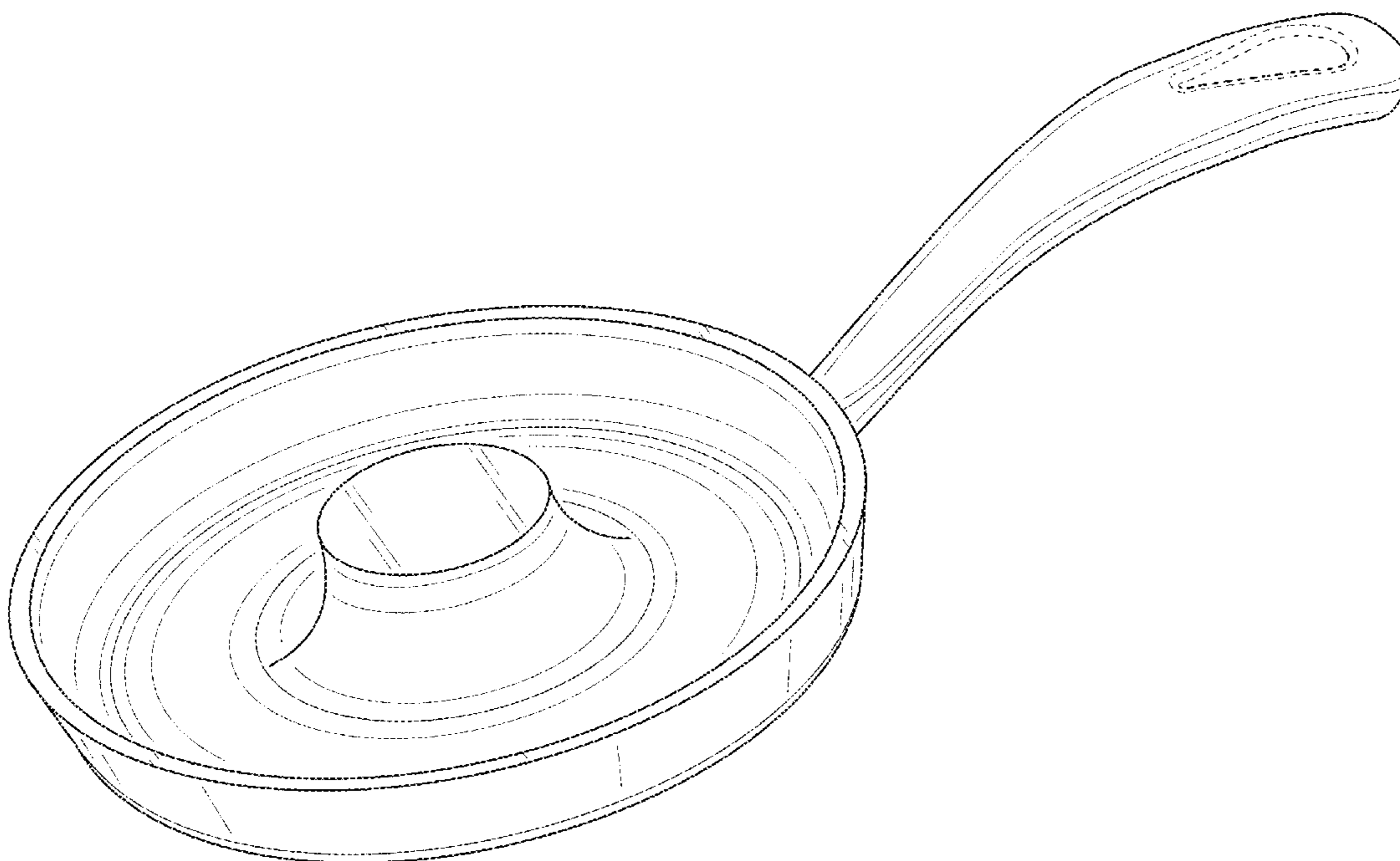
The ornamental design for a skillet, as shown and described.

DESCRIPTION

FIG. 1 is a perspective view of a skillet, in accordance with a disclosed embodiment;
FIG. 2 is a top view of the skillet illustrated in FIG. 1;
FIG. 3 is a bottom view of the skillet illustrated in FIG. 1;
FIG. 4 is a front view of the skillet illustrated in FIG. 1;
FIG. 5 is a rear view of the skillet illustrated in FIG. 1;
FIG. 6 is a first side view of the skillet illustrated in FIG. 1;
and,
FIG. 7 is a second side view of the skillet illustrated in FIG. 1.

The broken line showing of the handle opening illustrates portions of the skillet and forms no part of the claimed design.

1 Claim, 6 Drawing Sheets



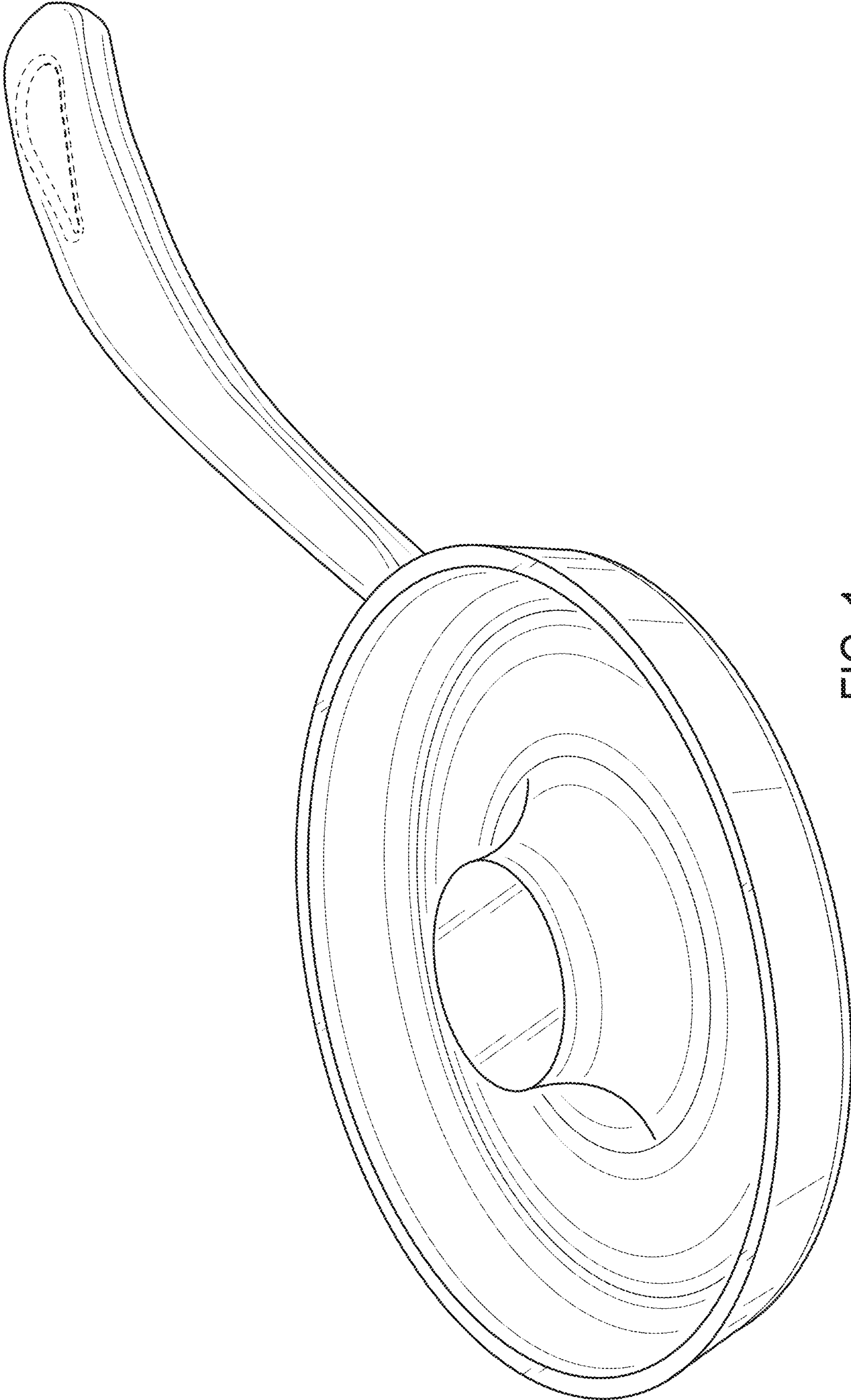


FIG. 1

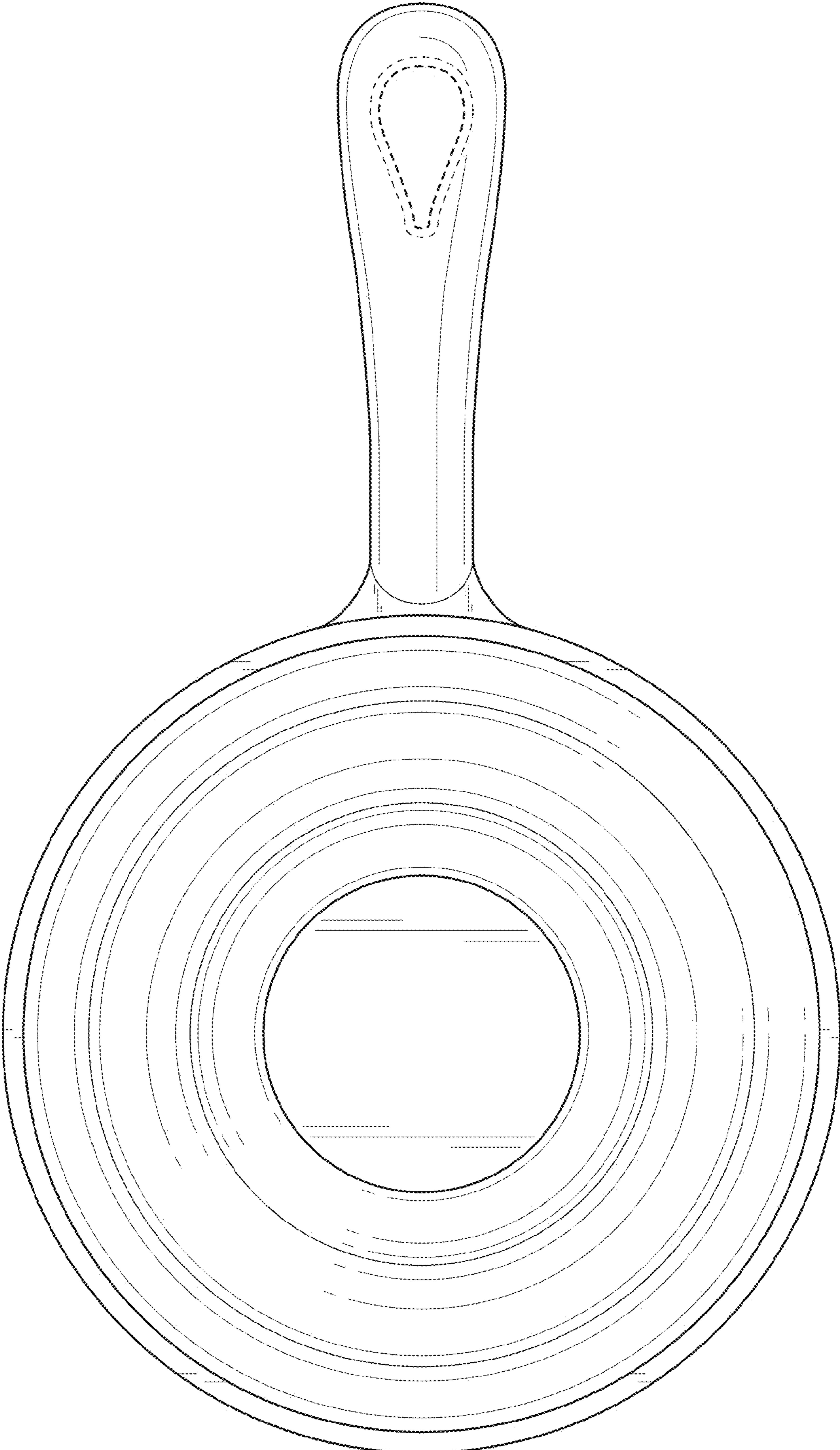


FIG. 2

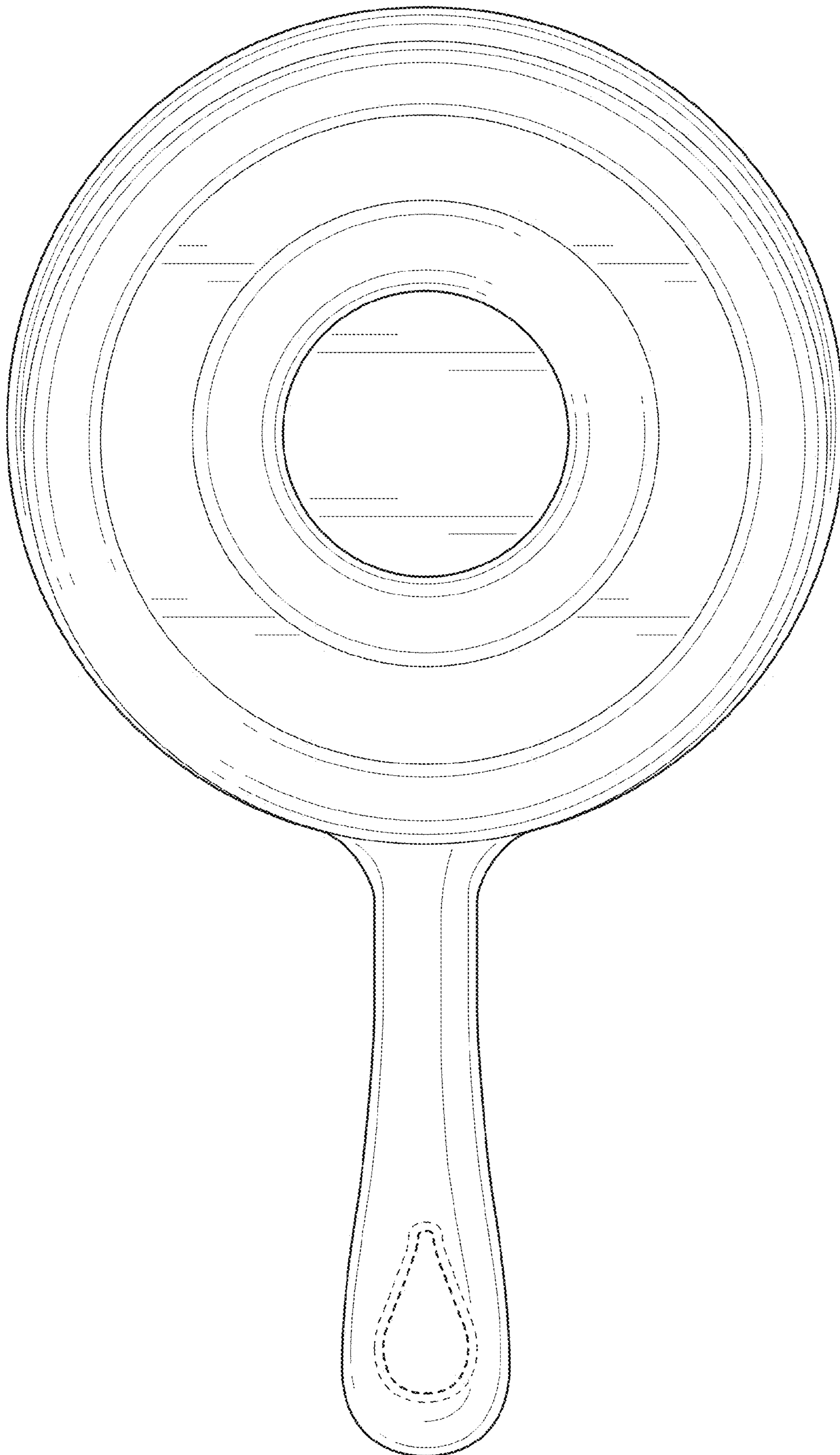


FIG. 3

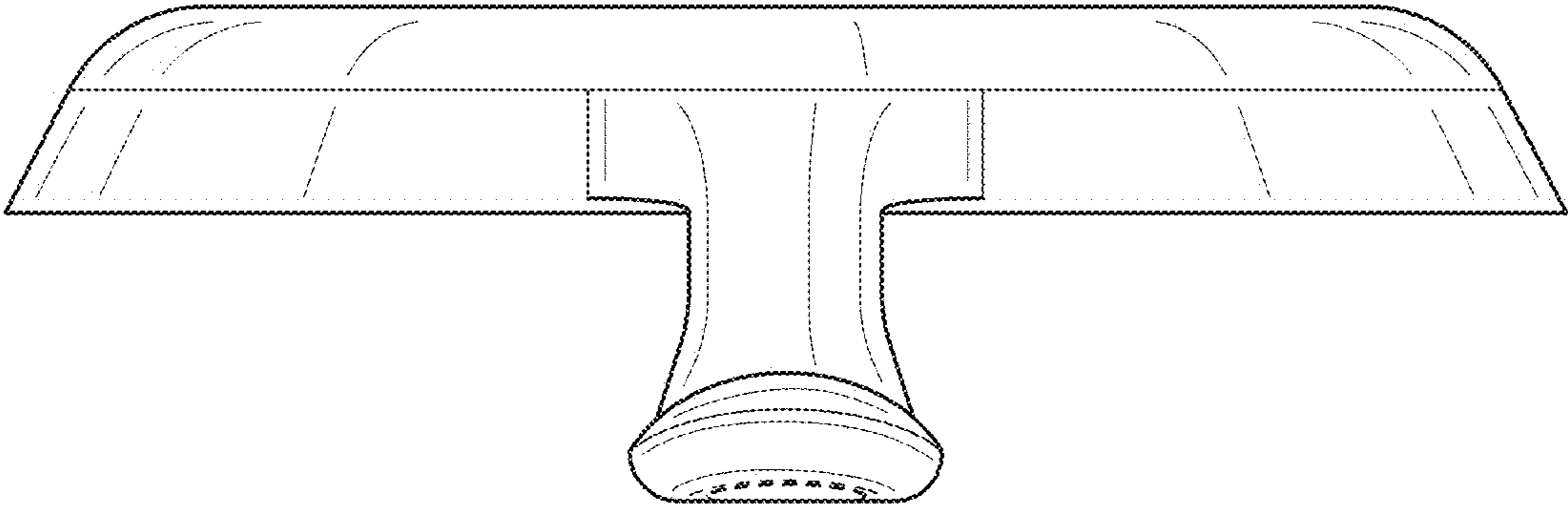


FIG. 5

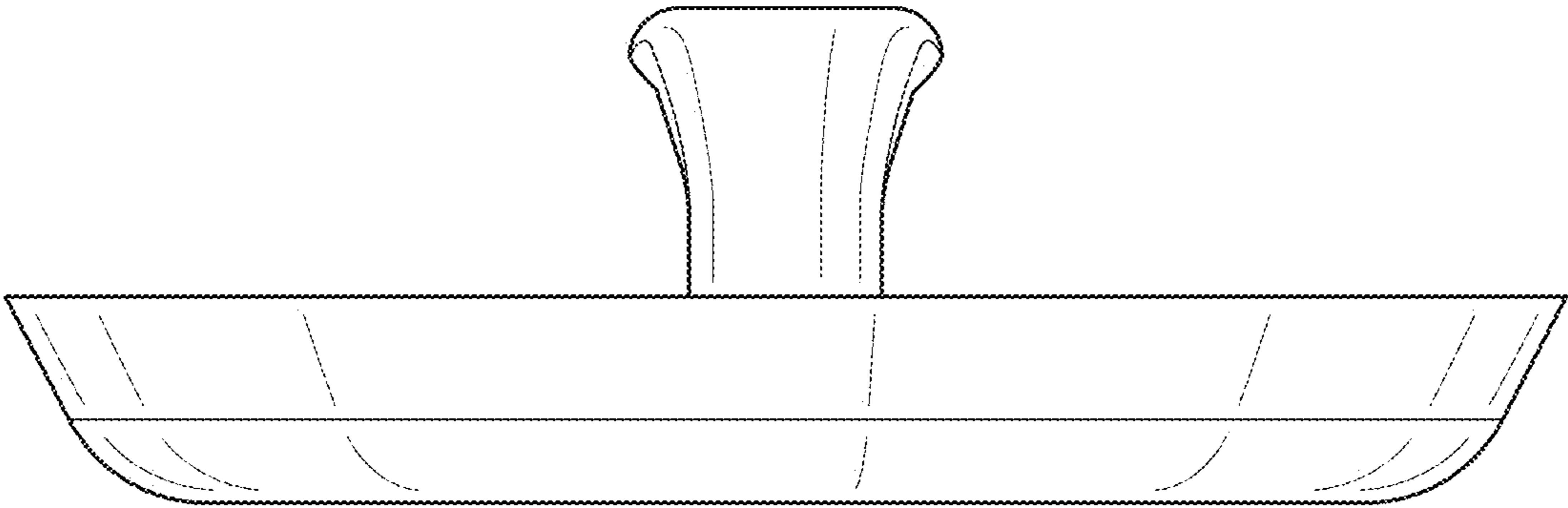


FIG. 4

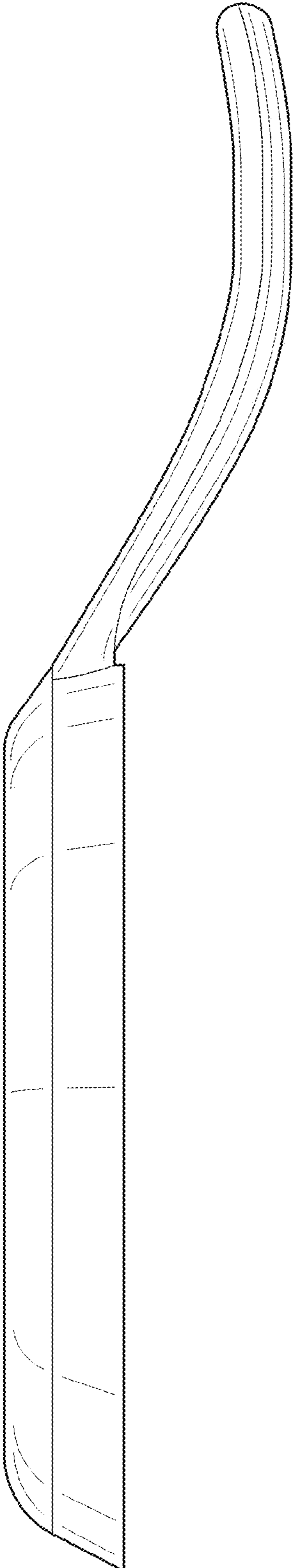


FIG. 6

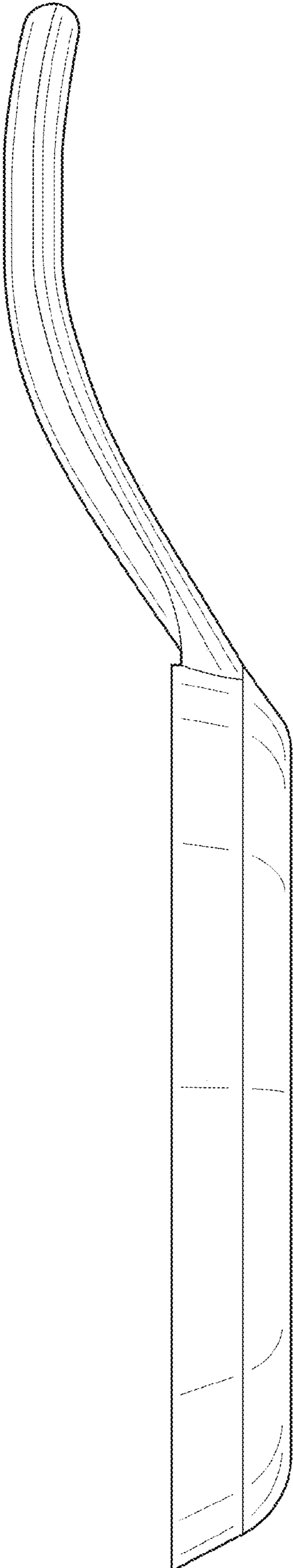


FIG. 7