

US00D954490S

(12) **United States Design Patent**  
**Sun et al.**

(10) **Patent No.:** **US D954,490 S**  
(45) **Date of Patent:** **\*\* Jun. 14, 2022**

- (54) **SKILLET**
- (71) Applicant: **COASTAL COCKTAILS, INC.**,  
Irvine, CA (US)
- (72) Inventors: **Alan Sun**, Irvine, CA (US); **Amit Pinhasy**, Irvine, CA (US)
- (73) Assignee: **COASTAL COCKTAILS, INC.**,  
Irvine, CA (US)
- (\*\*) Term: **15 Years**
- (21) Appl. No.: **29/764,641**
- (22) Filed: **Dec. 31, 2020**
- (51) **LOC (13) Cl.** ..... **07-02**
- (52) **U.S. Cl.**  
USPC ..... **D7/361; D7/354**
- (58) **Field of Classification Search**  
USPC ..... D7/323, 354-363, 391, 393-396, 409  
CPC ..... A47G 19/12; A47J 27/00; A47J 27/002;  
A47J 27/08; A47J 27/21; A47J 27/58;  
A47J 27/122; A47J 36/025; A47J 36/06;  
A47J 36/08; A47J 36/12; A47J 36/20;  
A47J 36/26; A47J 37/00; A47J 37/10;  
A47J 37/101; A47J 37/103; A47J 37/12;  
A47J 37/1204; A47J 45/061; A47J  
45/071; A47J 45/08; B65D 43/162; B65D  
81/3222; H05B 6/12  
See application file for complete search history.

- (56) **References Cited**  
**U.S. PATENT DOCUMENTS**  
867,086 A \* 9/1907 Sullivan ..... A47J 36/26  
126/373.1  
894,118 A \* 7/1908 Compston ..... B65D 81/3222  
222/129  
1,072,892 A \* 9/1913 Wilson ..... B65D 43/162  
220/4.22  
2,515,617 A \* 7/1950 Tilford ..... A47J 37/10  
126/390.1

- 4,773,318 A \* 9/1988 Furletti ..... A47J 37/10  
99/372
- D383,354 S \* 9/1997 Nassar ..... D7/357
- D498,640 S \* 11/2004 Kloppsteck ..... D7/361
- D536,921 S \* 2/2007 Tarlow ..... D7/361
- 8,800,804 B1 \* 8/2014 Roben ..... A47J 36/20  
220/573.1
- D913,741 S \* 3/2021 Graybeal ..... D7/361
- 2011/0017750 A1 \* 1/2011 Fortkamp ..... A47J 27/122  
220/573.1

**OTHER PUBLICATIONS**

Anolon Advanced Hard Anodized Nonstick Divided Grill / Griddle Pan / Skillet. Date First Available on Amazon.com Aug. 6, 2014 <https://www.amazon.com/Anolon-Advanced-Hard-Anodized-Nonstick-12-5-Inch/dp/B00MVX0ZXG/ref> (Year: 2014).\*

\* cited by examiner

*Primary Examiner* — Ricky Pham  
(74) *Attorney, Agent, or Firm* — Duane Morris LLP

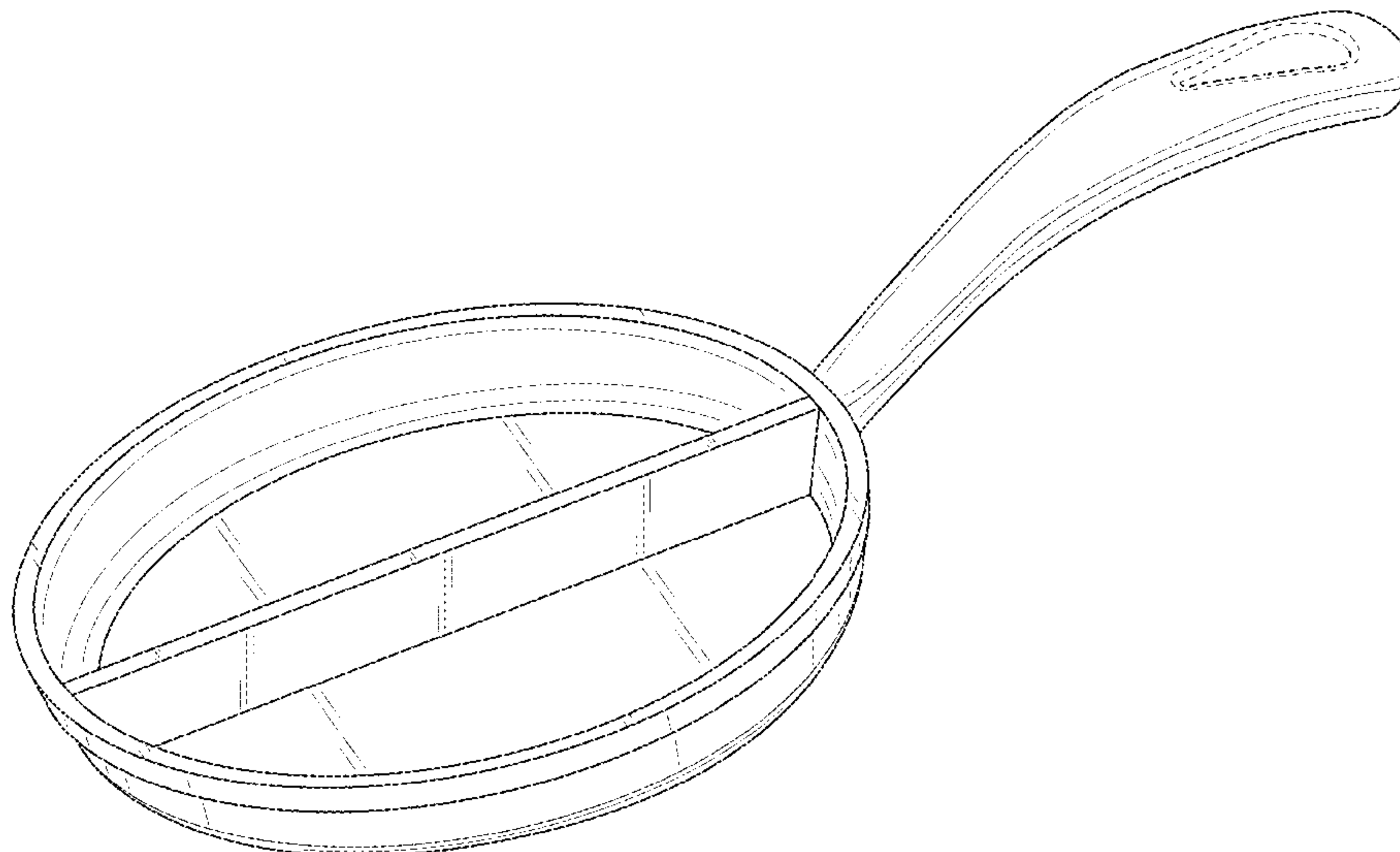
(57) **CLAIM**

The ornamental design for a skillet, as shown and described.

**DESCRIPTION**

FIG. 1 is a perspective view of a skillet, in accordance with a disclosed embodiment;  
FIG. 2 is a top view of the skillet illustrated in FIG. 1;  
FIG. 3 is a bottom view of the skillet illustrated in FIG. 1;  
FIG. 4 is a front view of the skillet illustrated in FIG. 1;  
FIG. 5 is a rear view of the skillet illustrated in FIG. 1;  
FIG. 6 is a first side view of the skillet illustrated in FIG. 1;  
and,  
FIG. 7 is a second side view of the skillet illustrated in FIG. 1.  
The broken line showing of the handle opening illustrates portions of the skillet and forms no part of the claimed design.

**1 Claim, 6 Drawing Sheets**



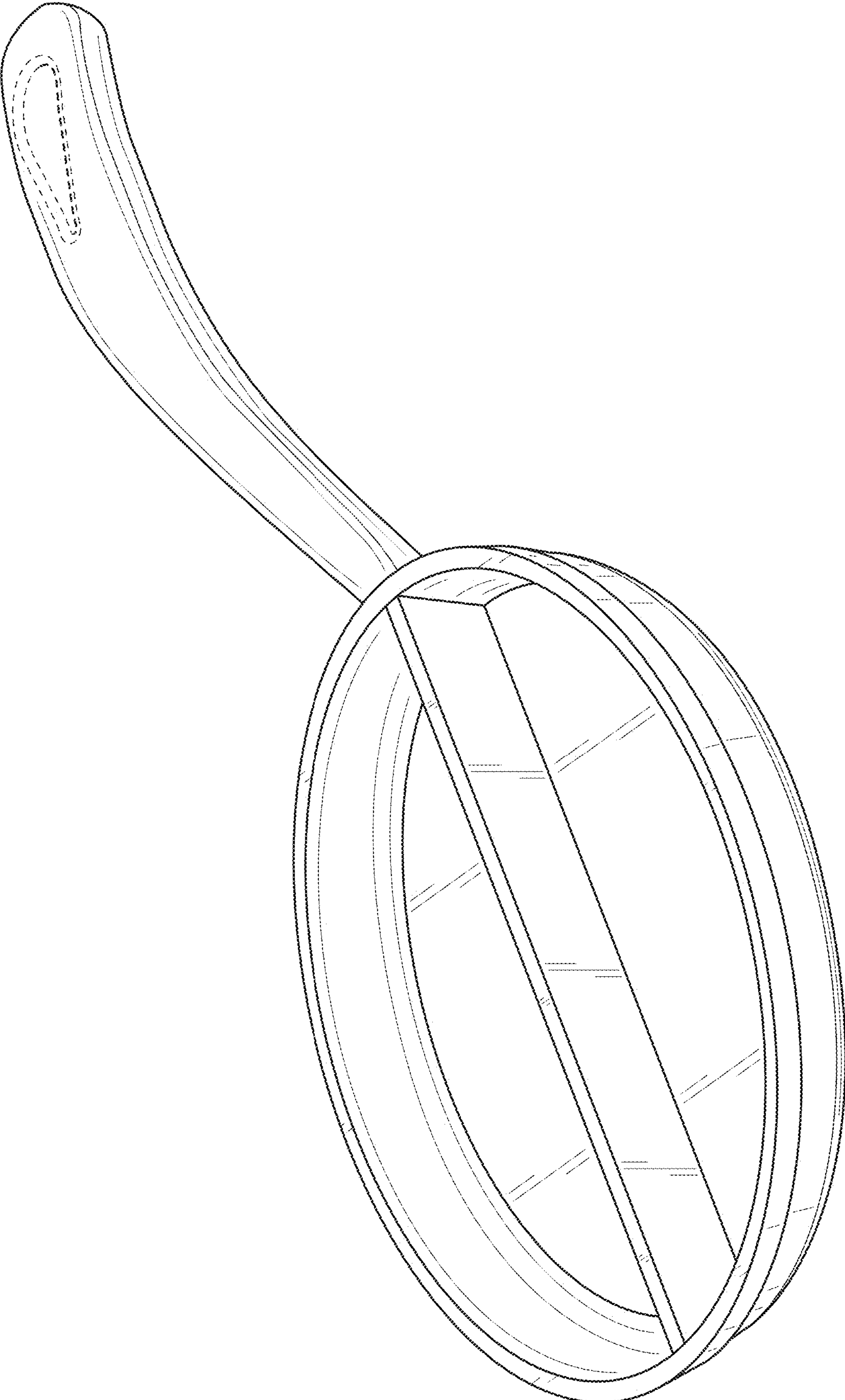


FIG. 1

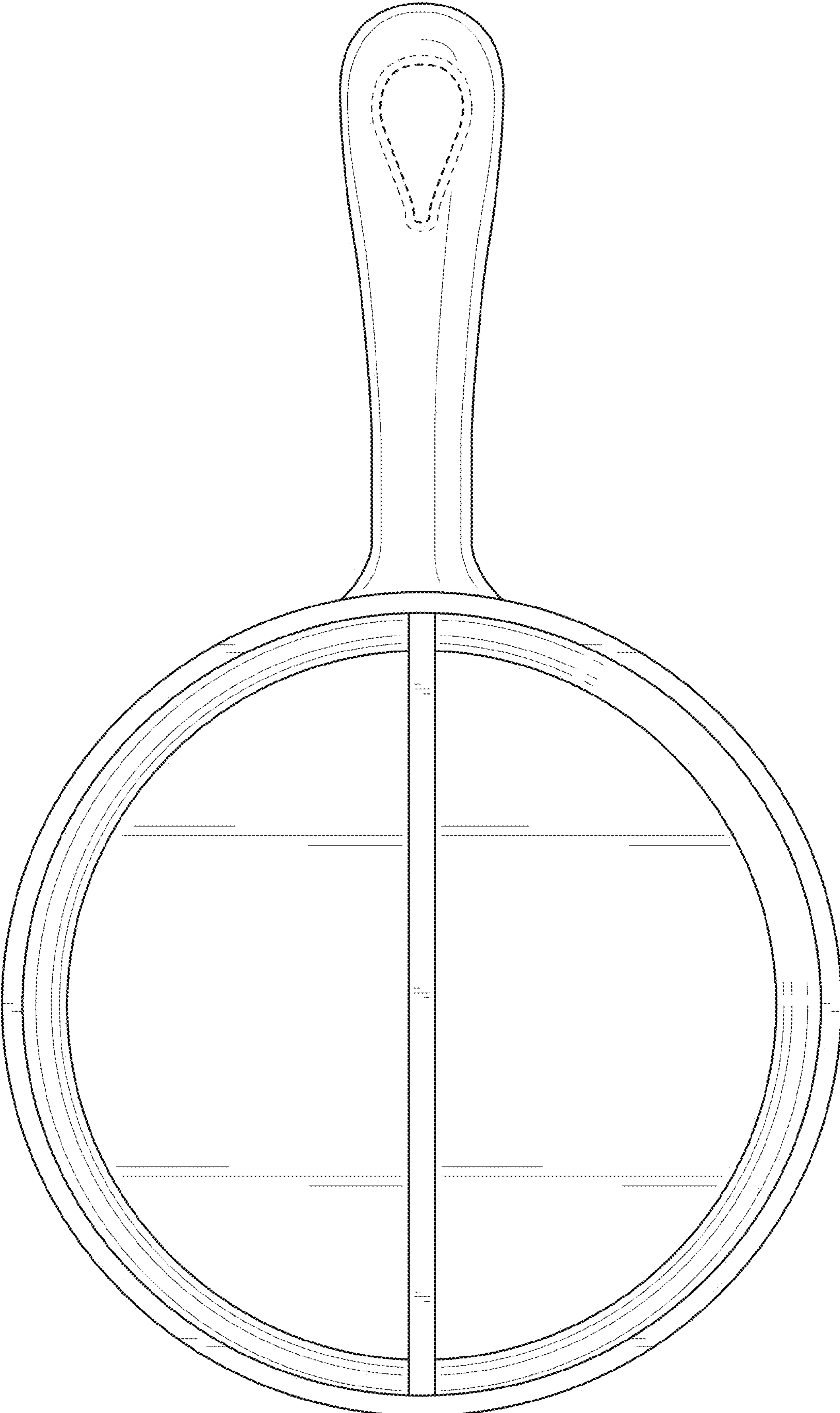


FIG. 2



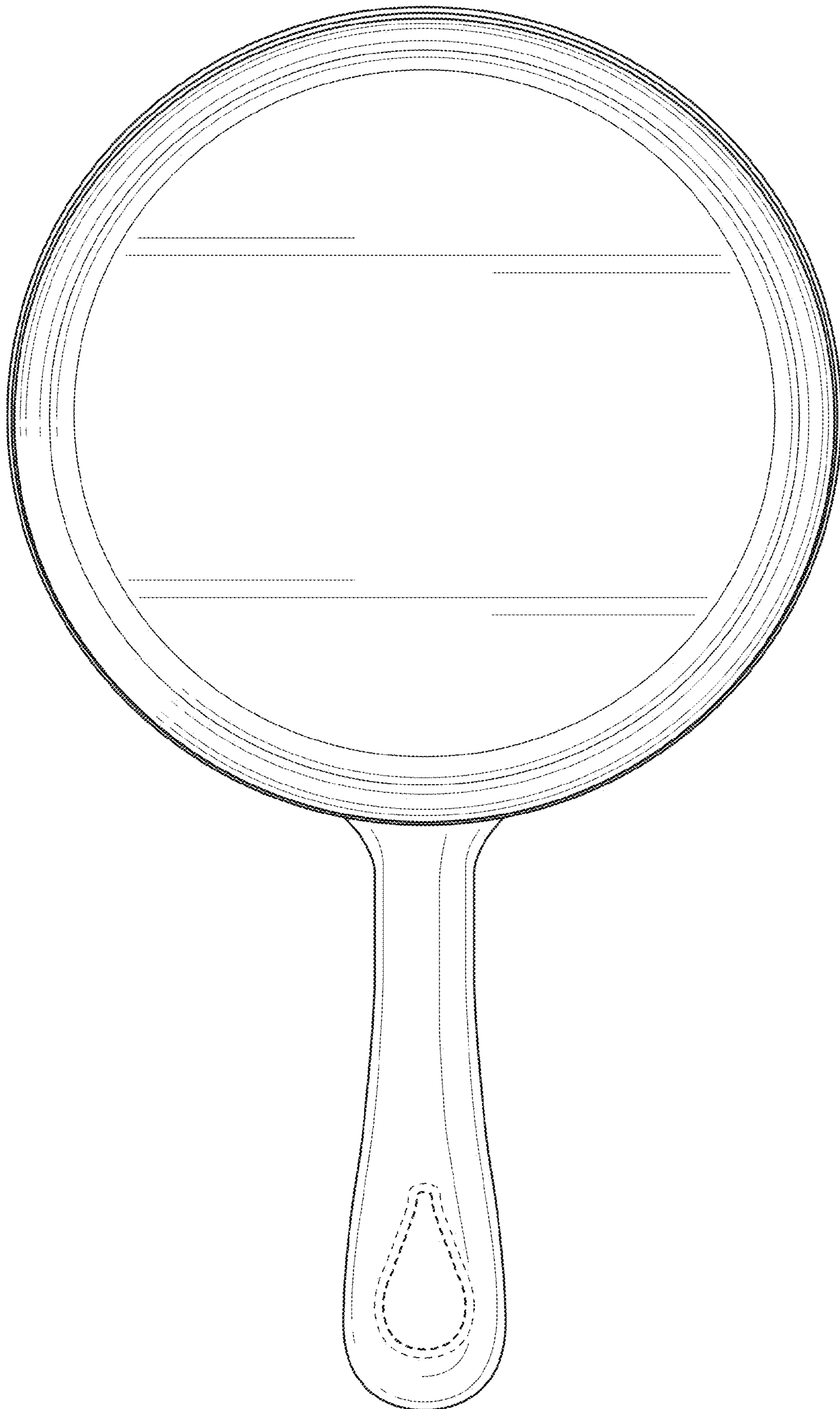


FIG. 3

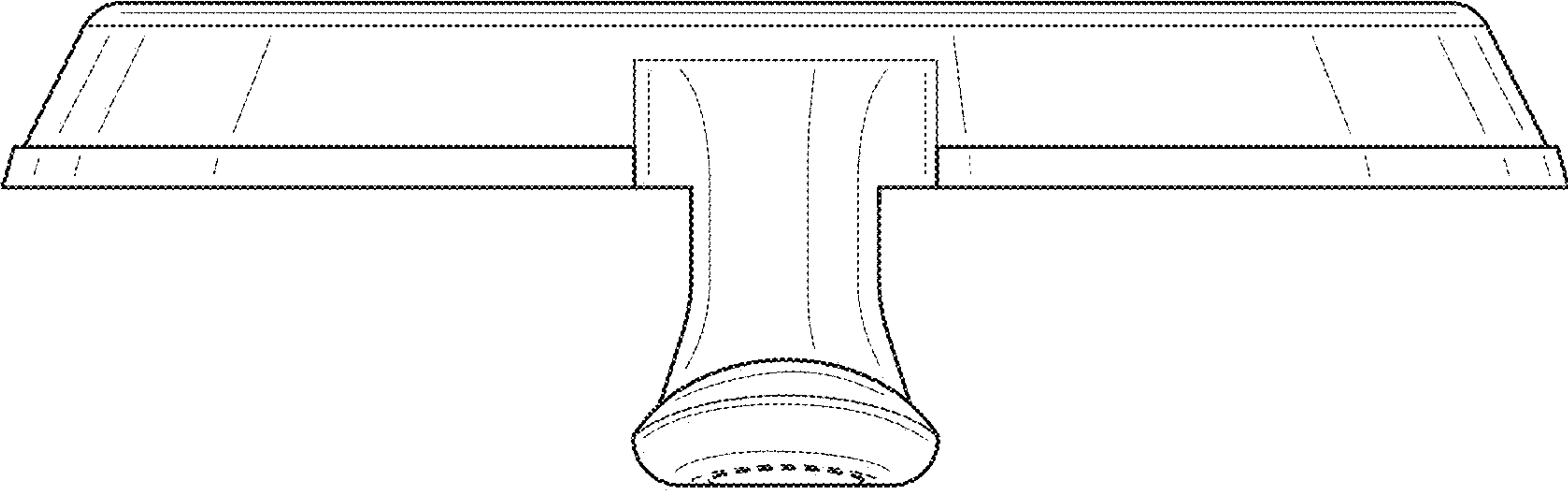


FIG. 5

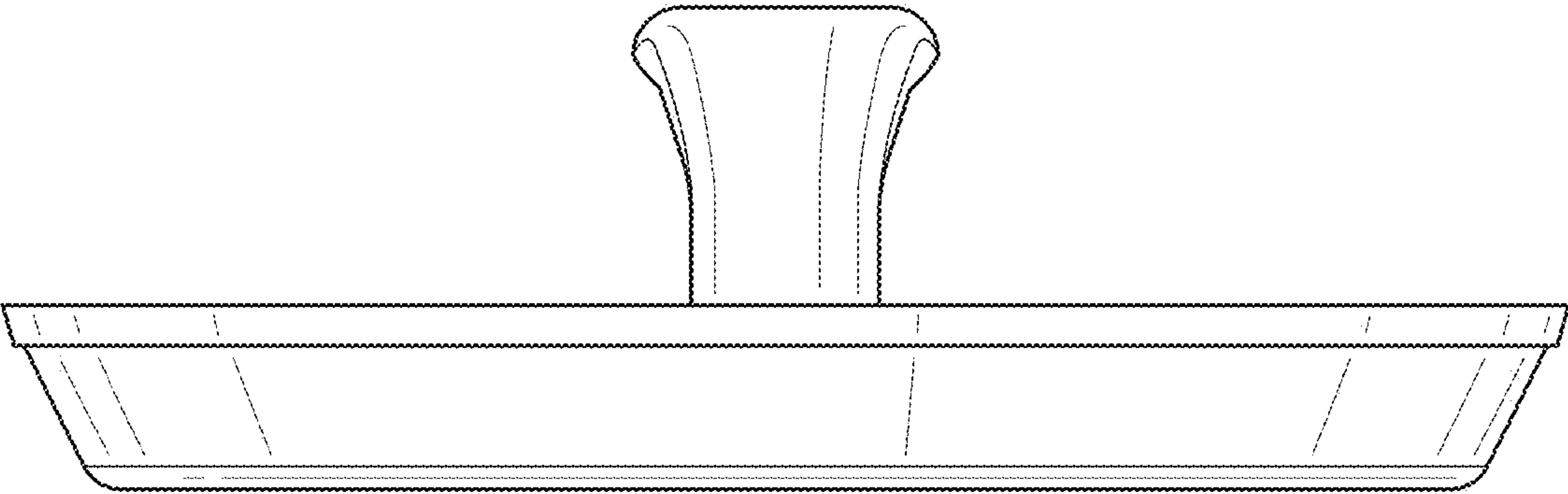


FIG. 4

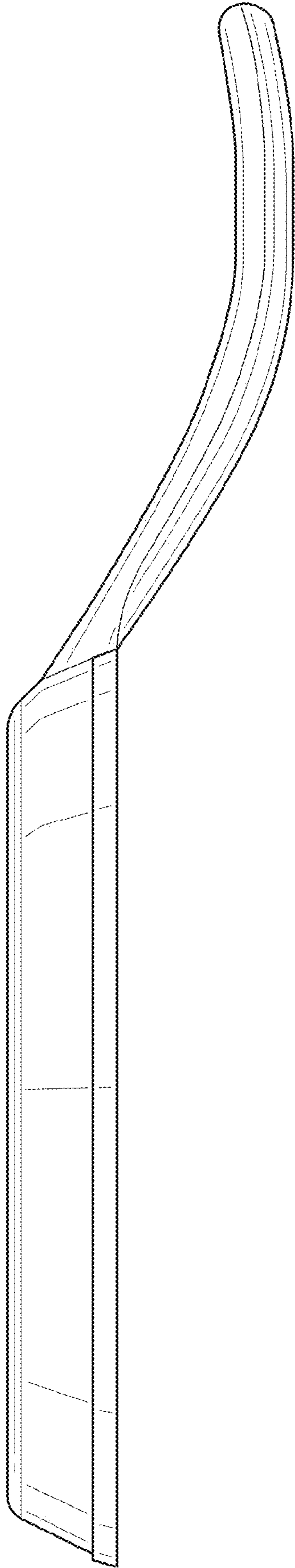


FIG. 6

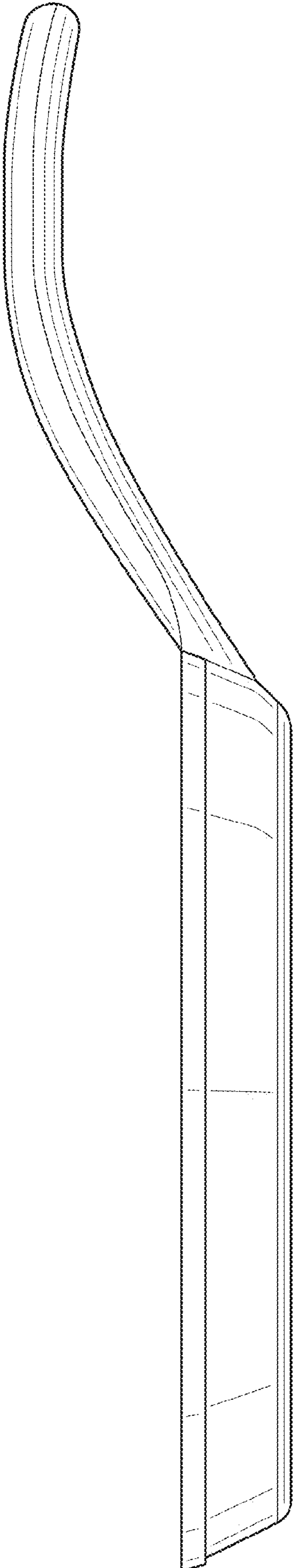


FIG. 7