



US00D954486S

(12) **United States Design Patent**
Lee et al.

(10) **Patent No.:** **US D954,486 S**
(45) **Date of Patent:** **** Jun. 14, 2022**

(54) **AUTOFILL WATER PITCHER FOR REFRIGERATOR**

D602,731 S * 10/2009 Mankowitz D7/316
D651,446 S * 1/2012 Sheppard D7/318
D675,861 S * 2/2013 Gray D7/318
D775,711 S 1/2017 Poindexter et al.

(71) Applicant: **Samsung Electronics Co., Ltd.**,
Gyeonggi-do (KR)

(Continued)

(72) Inventors: **Hyunil Lee**, Gyeonggi-do (KR);
Suyeon Park, Gyeonggi-do (KR);
Jungeun Park, Gyeonggi-do (KR);
Jaemin Lee, Gyeonggi-do (KR);
Seokwoo Kim, Gyeonggi-do (KR);
Junguk Shin, Gyeonggi-do (KR)

FOREIGN PATENT DOCUMENTS

CN 303648991 4/2016
EM 003076637-0001 4/2016

(Continued)

(73) Assignee: **SAMSUNG ELECTRONICS CO., LTD.**, Gyeonggi-Do (KR)

Samsung Pitcher | posted at synderdiamond.com, no posting date, [online], [site visited Feb. 26, 2022]. Available from Internet, <URL: <https://www.snyderdiamond.com/Samsung-RF23A9071SR-23-cu-ft-Smart-Counter-Depth-4-Door-Flex-refrigerator-with-AutoFill-Water-Pitcher-and-Dual-Ice-Maker-in-Stainless-Steel>> (Year: 2022).*

(**) Term: **15 Years**

Primary Examiner — Andrew Kerr

(21) Appl. No.: **29/745,882**

(74) *Attorney, Agent, or Firm* — Cantor Colburn LLP

(22) Filed: **Aug. 10, 2020**

(30) **Foreign Application Priority Data**

Apr. 17, 2020 (KR) 30-2020-0017158

(51) **LOC (13) Cl.** **07-01**

(52) **U.S. Cl.**
USPC **D7/317**

(58) **Field of Classification Search**
USPC D7/300, 312, 316–319, 397, 399, 400,
D7/510, 511, 523, 598; D9/516, 547,
D9/523, 527, 528

CPC .. A47G 19/14; A47G 19/12; A47G 2019/122;
A47G 19/127; A47J 27/21; A47J
21/21008; A47J 31/40

See application file for complete search history.

(56) **References Cited**

U.S. PATENT DOCUMENTS

D386,041 S * 11/1997 Tanner D7/317
D406,003 S * 2/1999 Tanner D7/319
D439,790 S * 4/2001 Matsushita D7/317

OTHER PUBLICATIONS

Samsung Pitcher | posted at synderdiamond.com, no posting date, [online], [site visited Feb. 26, 2022]. Available from Internet, <URL: <https://www.snyderdiamond.com/Samsung-RF23A9071SR-23-cu-ft-Smart-Counter-Depth-4-Door-Flex-refrigerator-with-AutoFill-Water-Pitcher-and-Dual-Ice-Maker-in-Stainless-Steel>> (Year: 2022).*

Primary Examiner — Andrew Kerr

(74) *Attorney, Agent, or Firm* — Cantor Colburn LLP

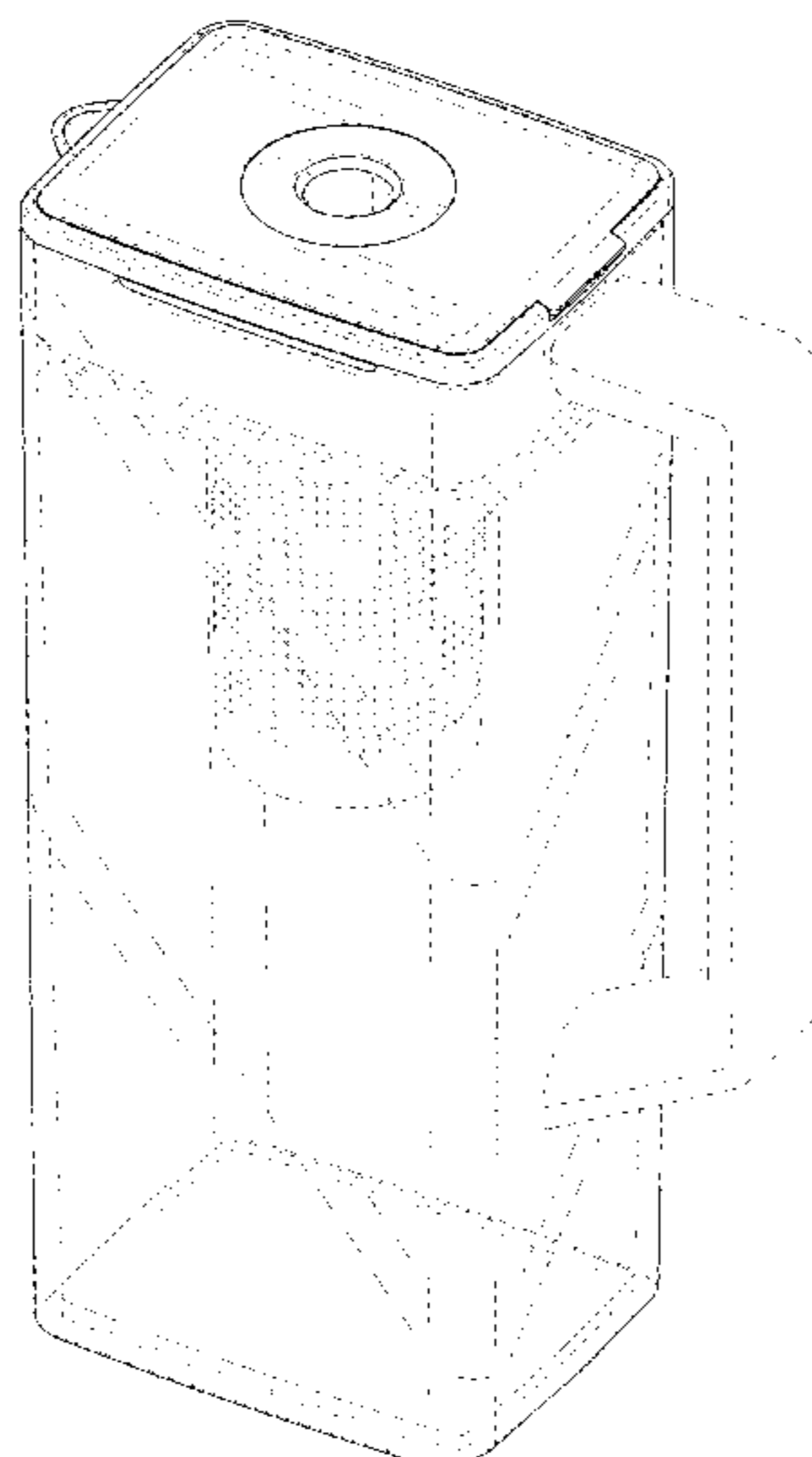
(57) **CLAIM**

The ornamental design for an autofill water pitcher for refrigerator, as shown and described.

DESCRIPTION

FIG. 1 is a perspective view of an autofill water pitcher for refrigerator, showing our new design;
FIG. 2 is a front view thereof;
FIG. 3 is a rear view thereof;
FIG. 4 is a left side view thereof;
FIG. 5 is a right side view thereof;
FIG. 6 is a top view thereof;
FIG. 7 is a bottom view thereof;
FIG. 8 is a cross-sectional view taken along the line 8-8 of FIG. 2; and,
FIG. 9 is an exploded perspective view thereof.
The broken lines illustrating portions of the autofill water pitcher for refrigerator form no part of the claimed design.

1 Claim, 9 Drawing Sheets



(56)

References Cited

U.S. PATENT DOCUMENTS

D836,372 S * 12/2018 Vazin D7/318
D836,963 S * 1/2019 Jeon D7/318
D881,628 S * 4/2020 Vazin D7/318
2008/0257892 A1 * 10/2008 Schroter A47G 19/12
220/524

FOREIGN PATENT DOCUMENTS

KR 30-1009196 5/2019
KR 30-1020126 8/2019

* cited by examiner

FIG. 1

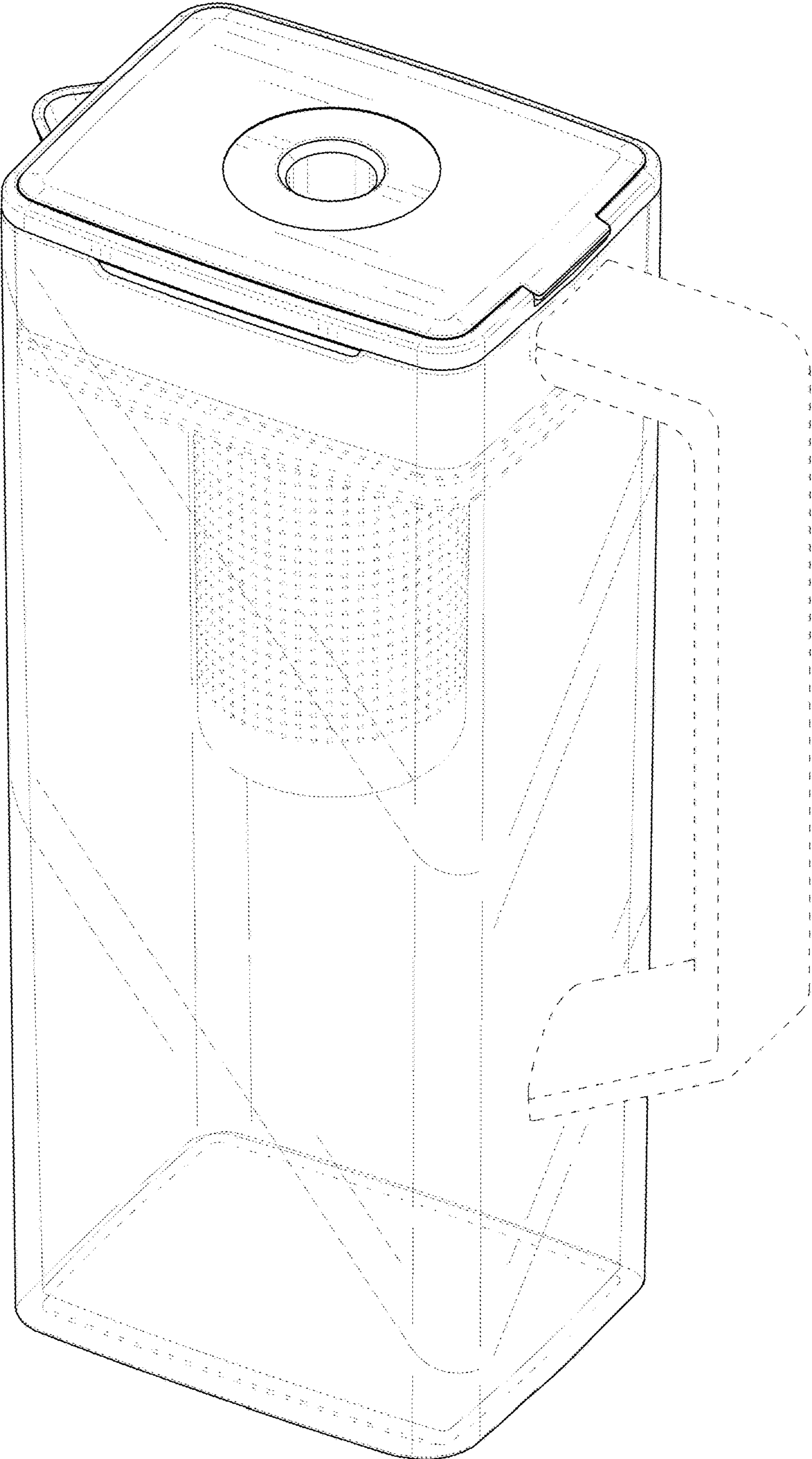


FIG. 2

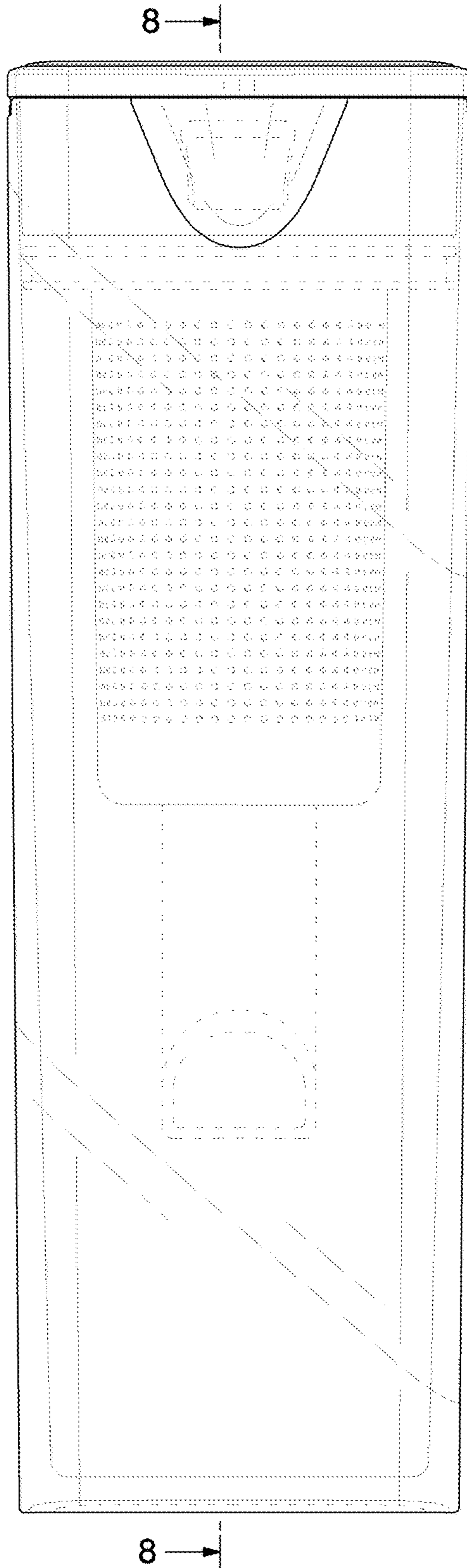


FIG. 3

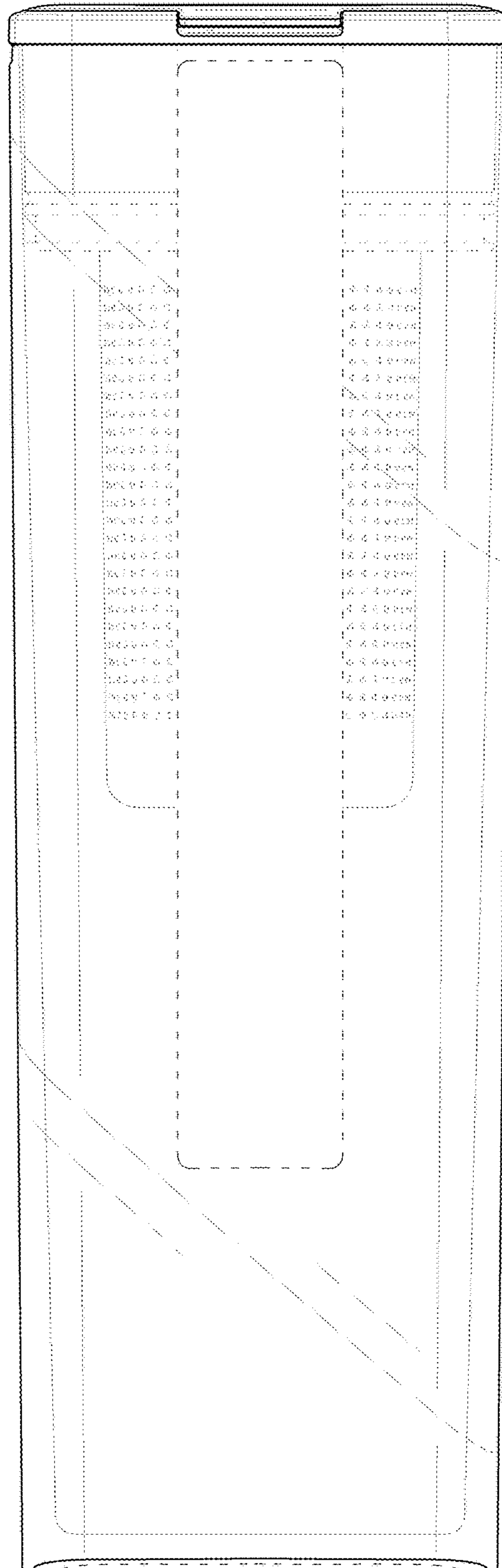


FIG. 4

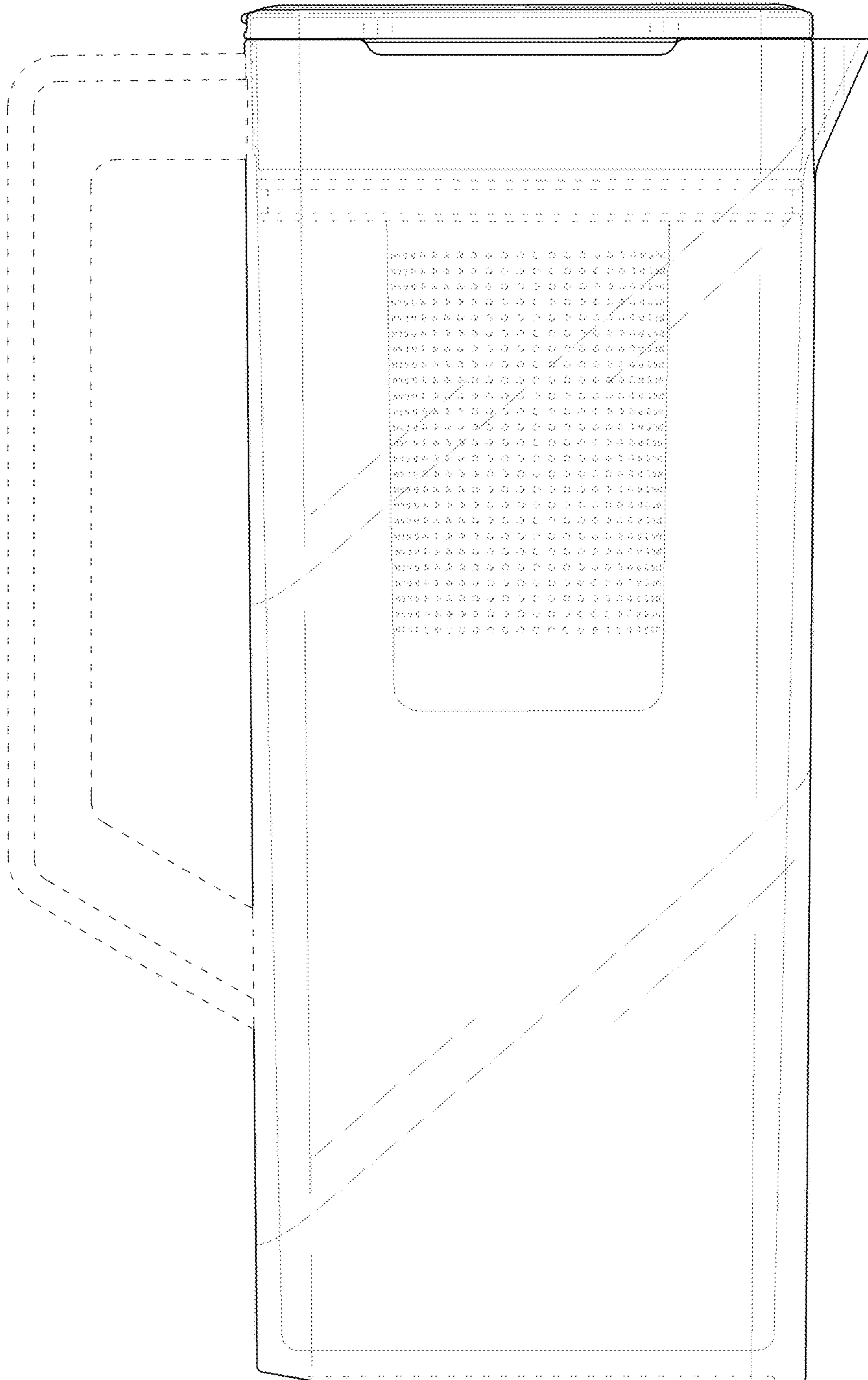


FIG. 5

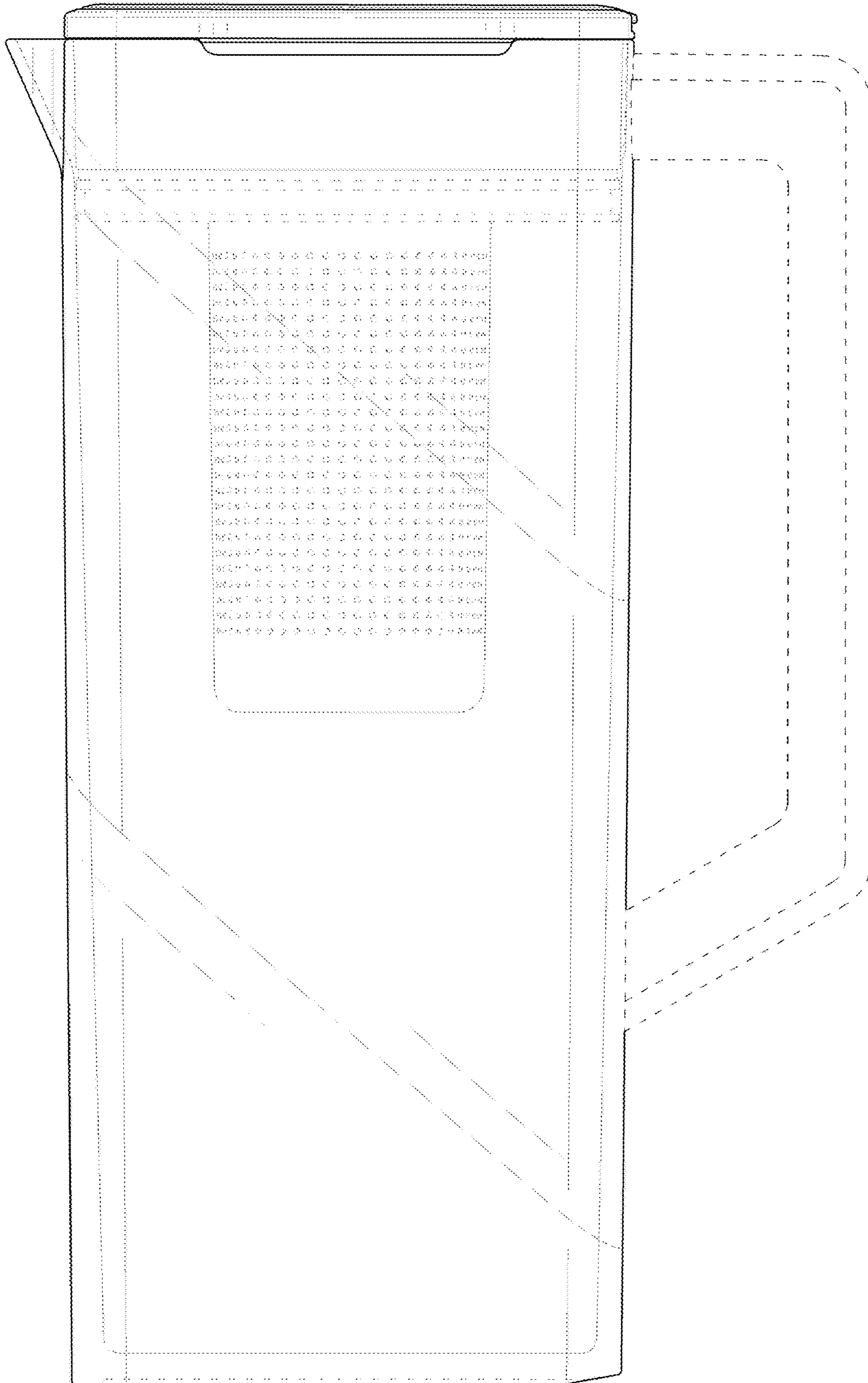


FIG. 6

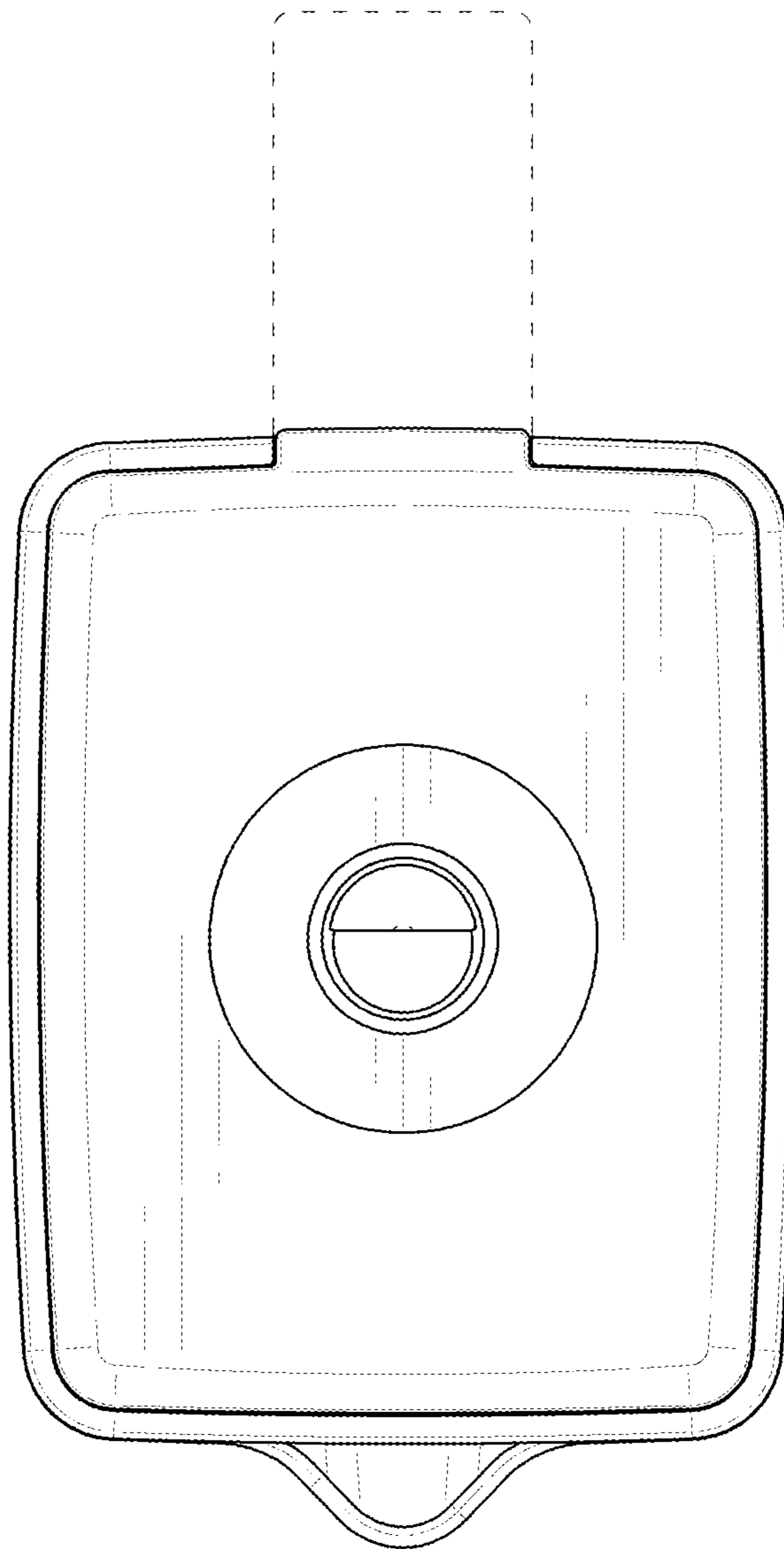


FIG. 7

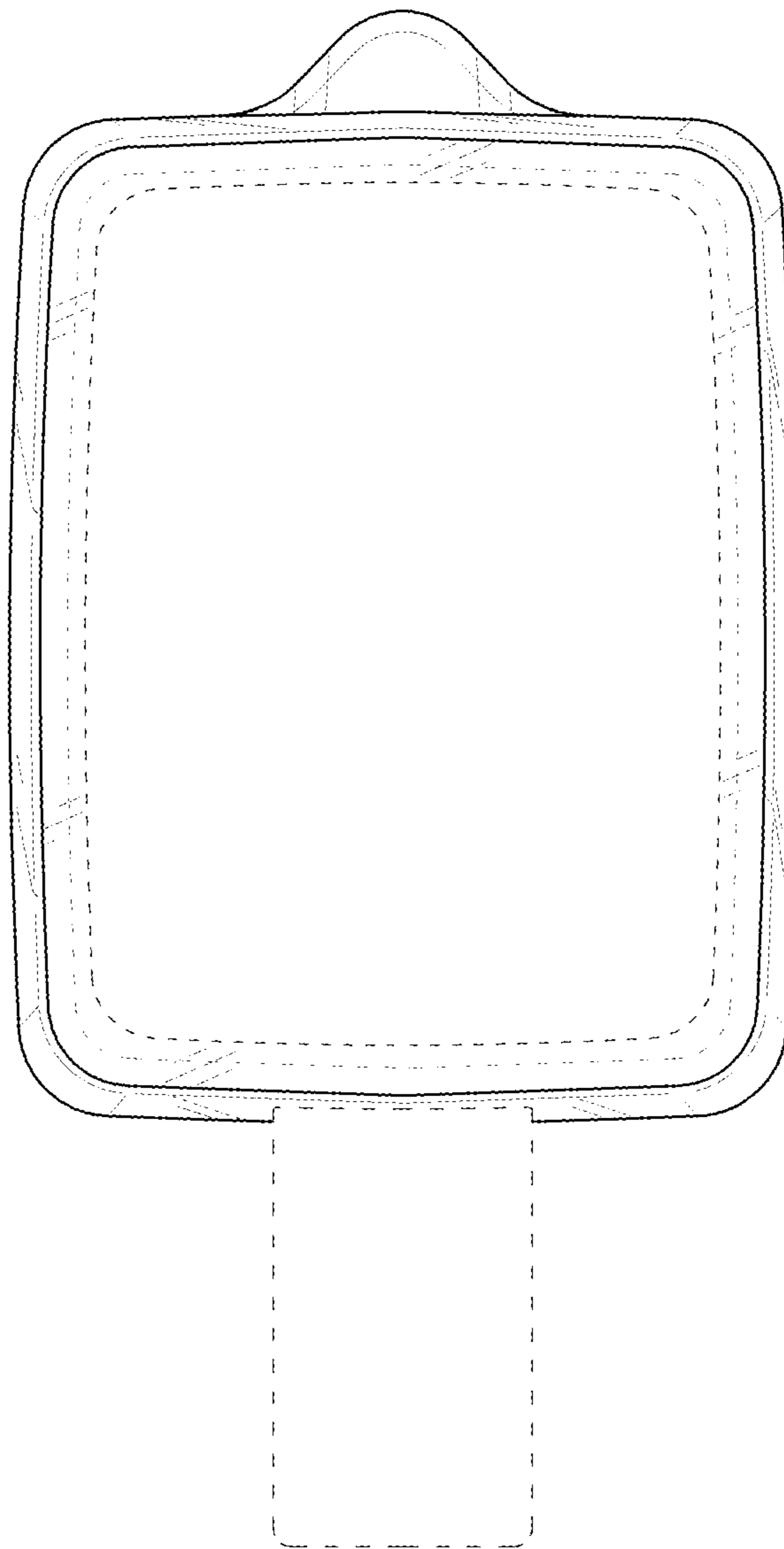


FIG. 8

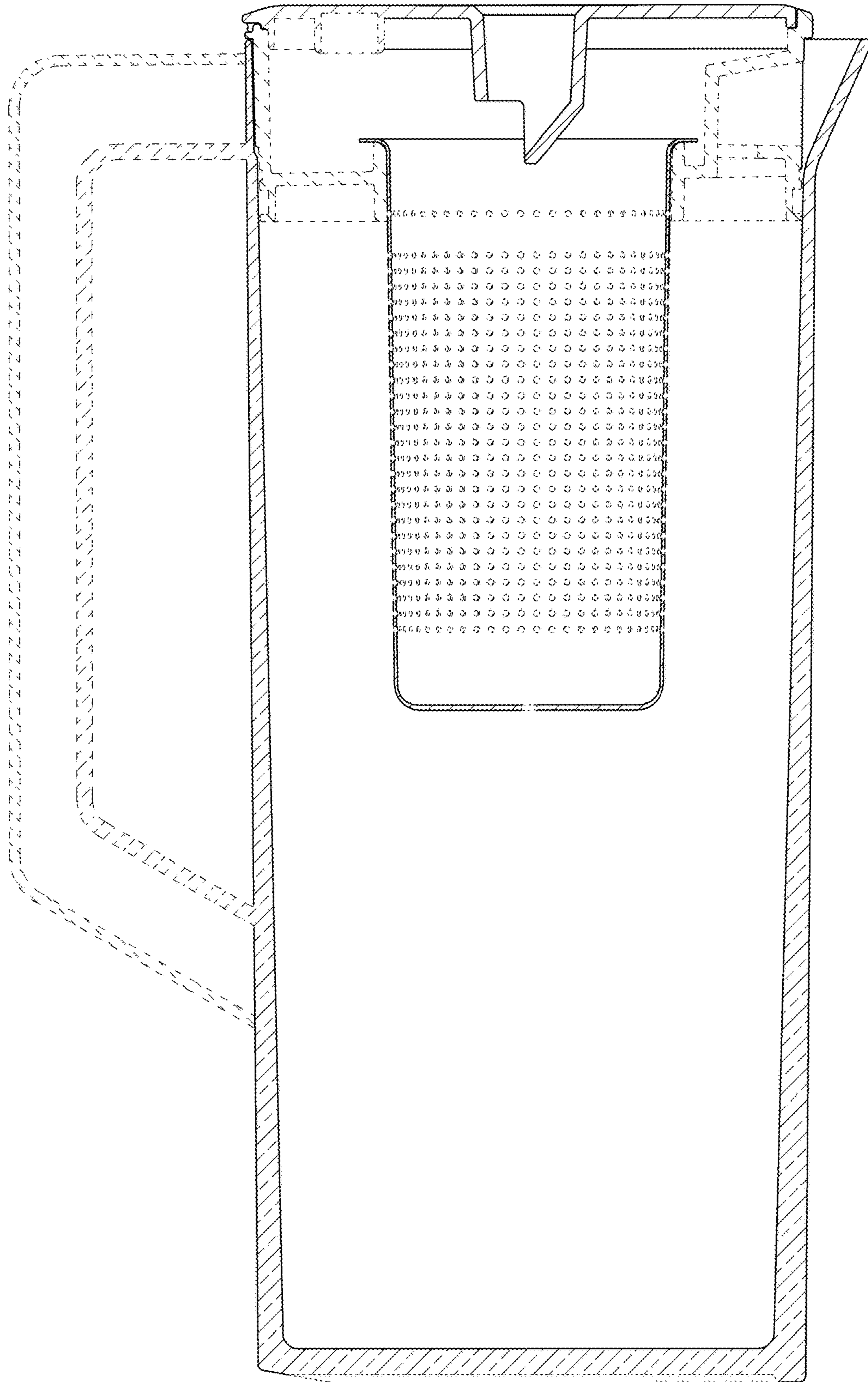


FIG. 9

