



US00D954485S

(12) **United States Design Patent**
Brouillac

(10) **Patent No.:** **US D954,485 S**
(45) **Date of Patent:** **** Jun. 14, 2022**

(54) **COFFEE MAKER**
(71) Applicant: **PEUGEOT SAVEURS**, Quingey (FR)
(72) Inventor: **Nicolas Brouillac**, Saint Vit (FR)
(73) Assignee: **PEUGEOT SAVEURS**, Quingey (FR)
(**) Term: **15 Years**
(21) Appl. No.: **35/510,672**

D189,393 S *	12/1960	Schlumbohm	D7/300.1
D430,456 S *	9/2000	Thuma	D7/509
D448,619 S *	10/2001	Pau	D7/503
D534,037 S *	12/2006	Oas	D7/507
D567,005 S *	4/2008	Bodum	D7/312
D577,944 S *	10/2008	Spiegel	D7/309
D740,063 S *	10/2015	Katz	D7/309
D766,655 S *	9/2016	Neace, Jr.	D7/399
D823,049 S *	7/2018	Neace, Jr.	D7/399
D823,050 S *	7/2018	Neace, Jr.	D7/399
D854,869 S *	7/2019	Pisarevsky	D7/316
11,019,963 B1 *	6/2021	Mercante	A47J 43/27

(22) Filed: **Oct. 13, 2020**

(80) **Hague Agreement Data**
Int. Filing Date: **Oct. 13, 2020**
Int. Reg. No.: **DM/210879**
Int. Reg. Date: **Oct. 13, 2020**
Int. Reg. Pub. Date: **Oct. 30, 2020**

FOREIGN PATENT DOCUMENTS

JP D1685660 * 5/2021
* cited by examiner

Primary Examiner — S. Bryan Reinholdt, Jr.
(74) *Attorney, Agent, or Firm* — Craft Chu PLLC;
Andrew W. Chu

(51) **LOC (13) Cl.** **07-01**
(52) **U.S. Cl.**
USPC **D7/310**
(58) **Field of Classification Search**
USPC D7/332, 306, 310, 400, 402, 523, 524,
D7/679, 608
CPC B65D 1/265; A47G 19/14
See application file for complete search history.

(57) **CLAIM**

The ornamental design for a coffee maker, as shown and described.

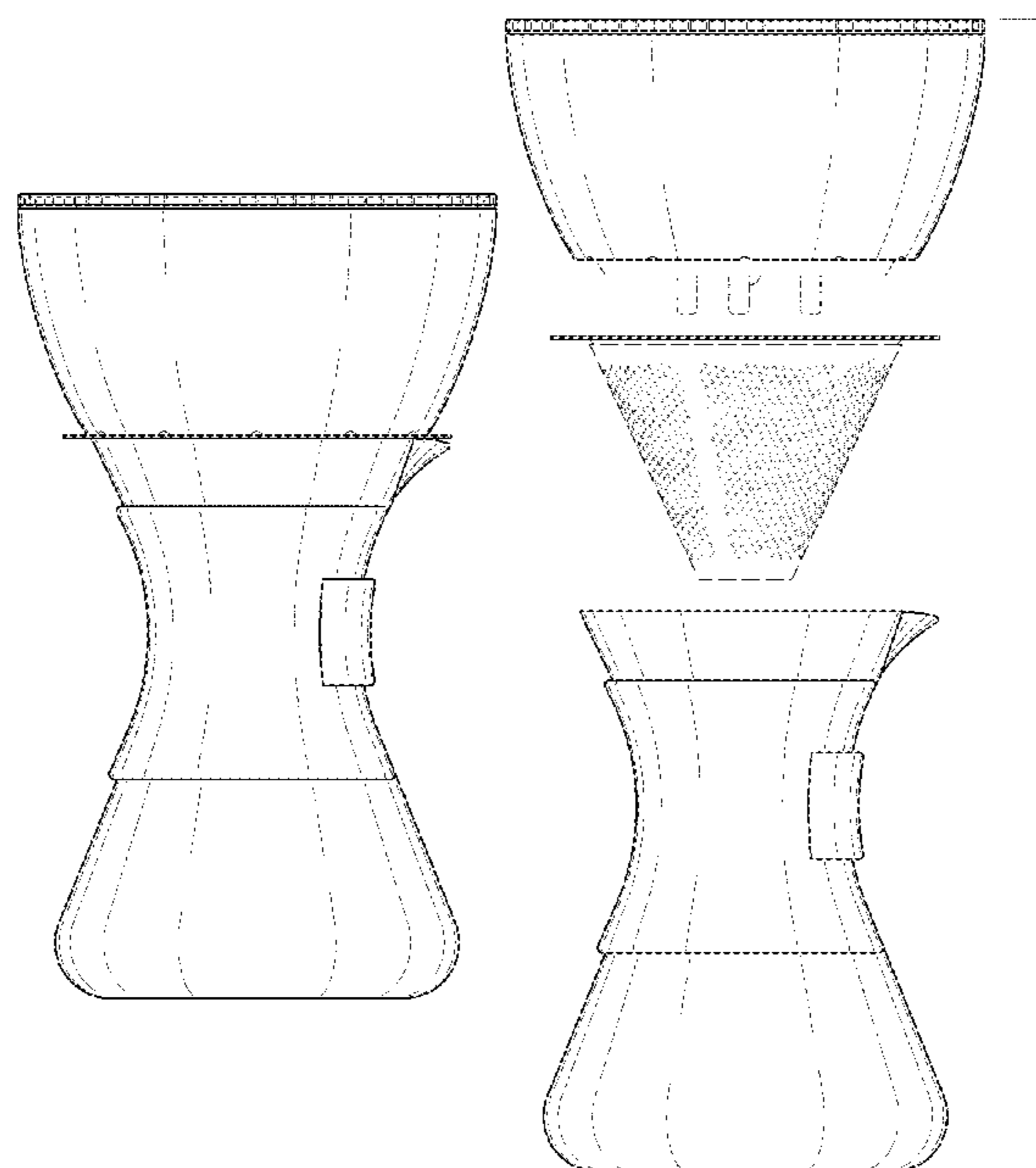
(56) **References Cited**
U.S. PATENT DOCUMENTS

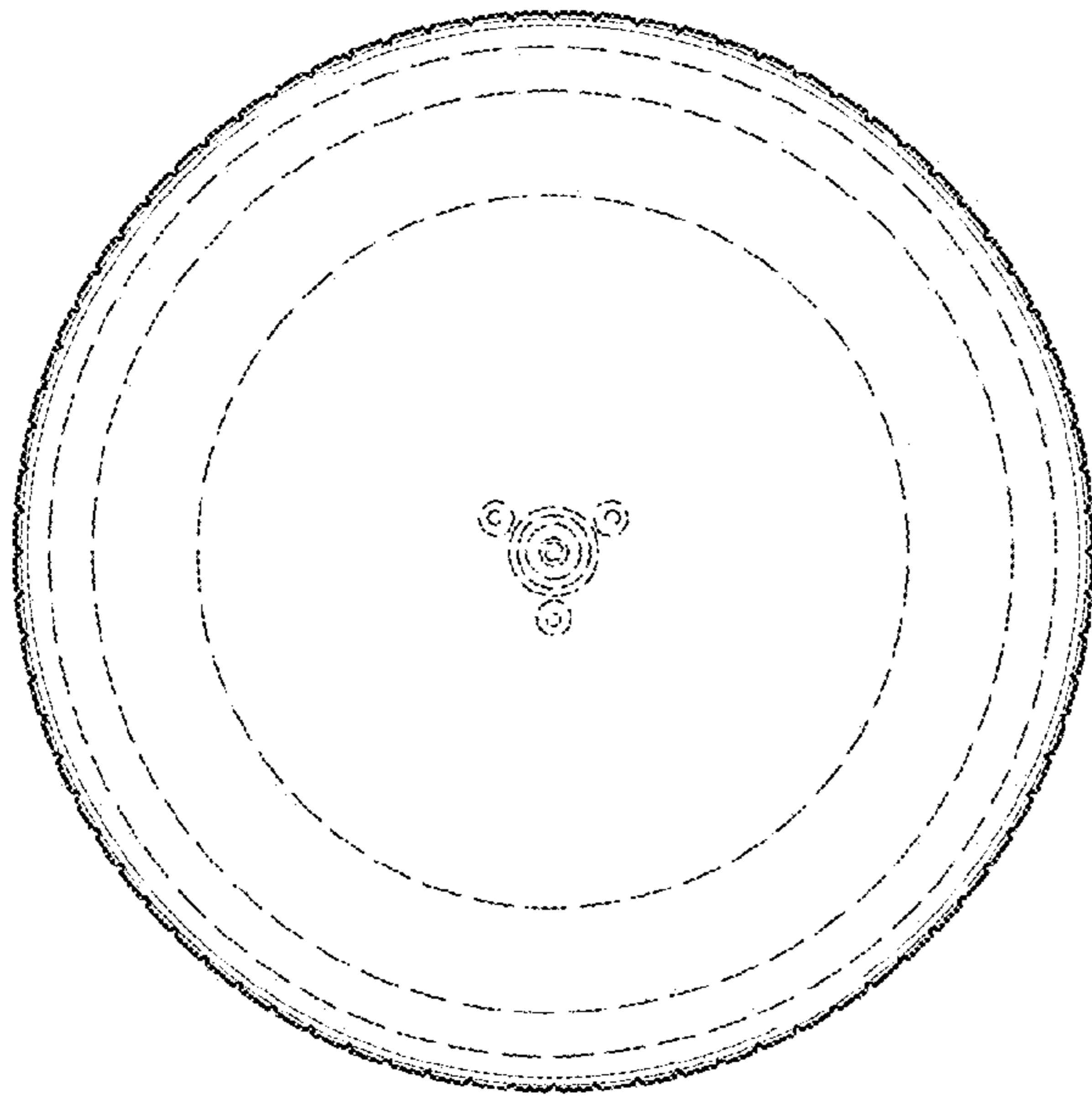
DESCRIPTION

Fig. 1.1 is a top plan view of a coffee maker showing my new design;
Fig. 1.2 is a back elevation view thereof;
Fig. 1.3 is a left side elevation view thereof;
Fig. 1.4 is a front elevation view thereof;
Fig. 1.5 is a right side elevation view thereof;
Fig. 1.6 is a bottom plan thereof; and,
Fig. 1.7 is an exploded right side elevation view thereof.
The broken lines and portions within them depict portions of the coffee maker that form no part of the claimed design.

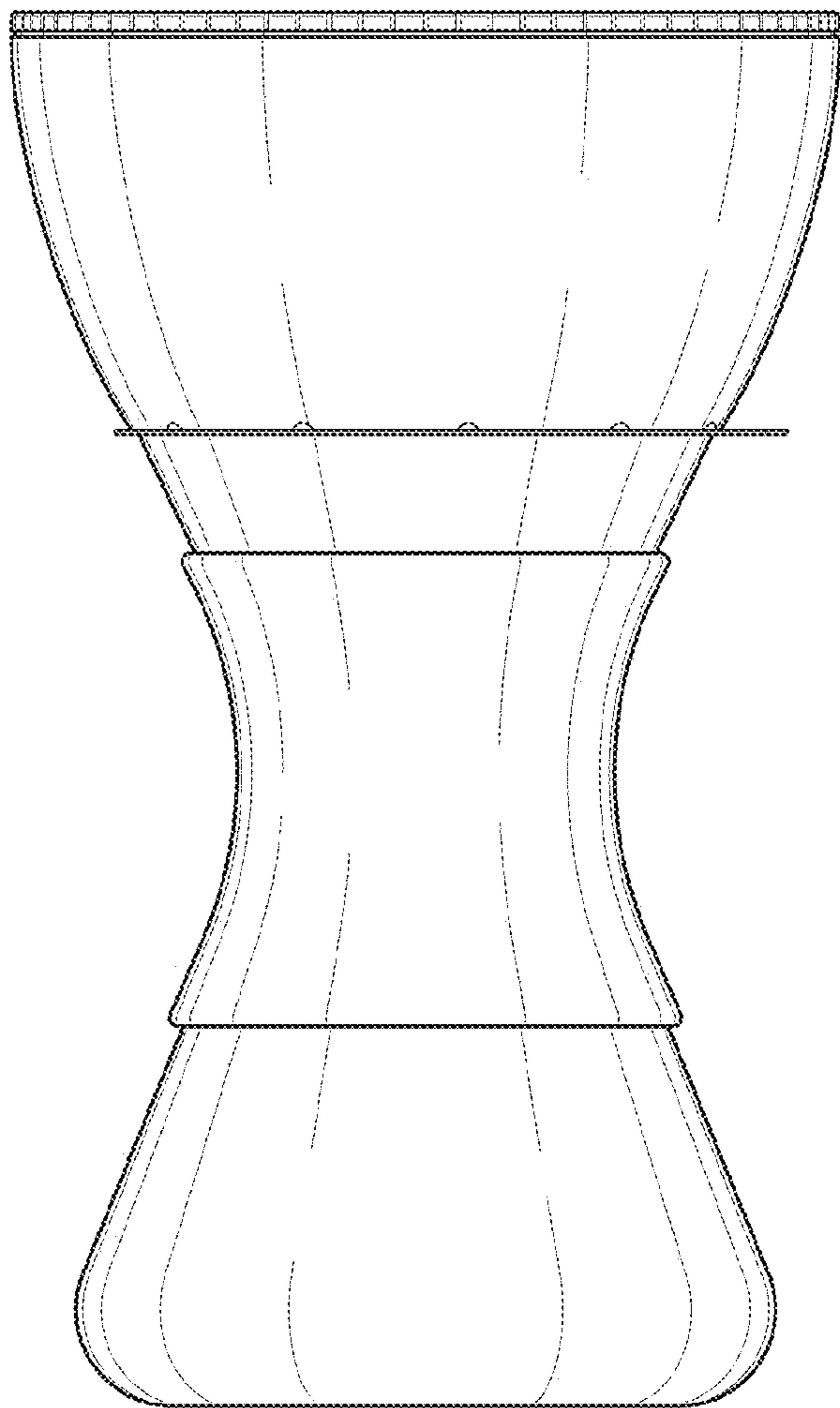
1,832,806 A *	11/1931	Dawson	B65D 1/0223
			215/43
D89,055 S *	1/1933	Page	D7/310
2,137,884 A *	11/1938	Weeks	A47J 45/08
			294/31.2
D158,236 S *	4/1950	Ward	D7/310
2,897,970 A *	8/1959	Schlumbohm	A47J 31/446
			210/474

1 Claim, 3 Drawing Sheets

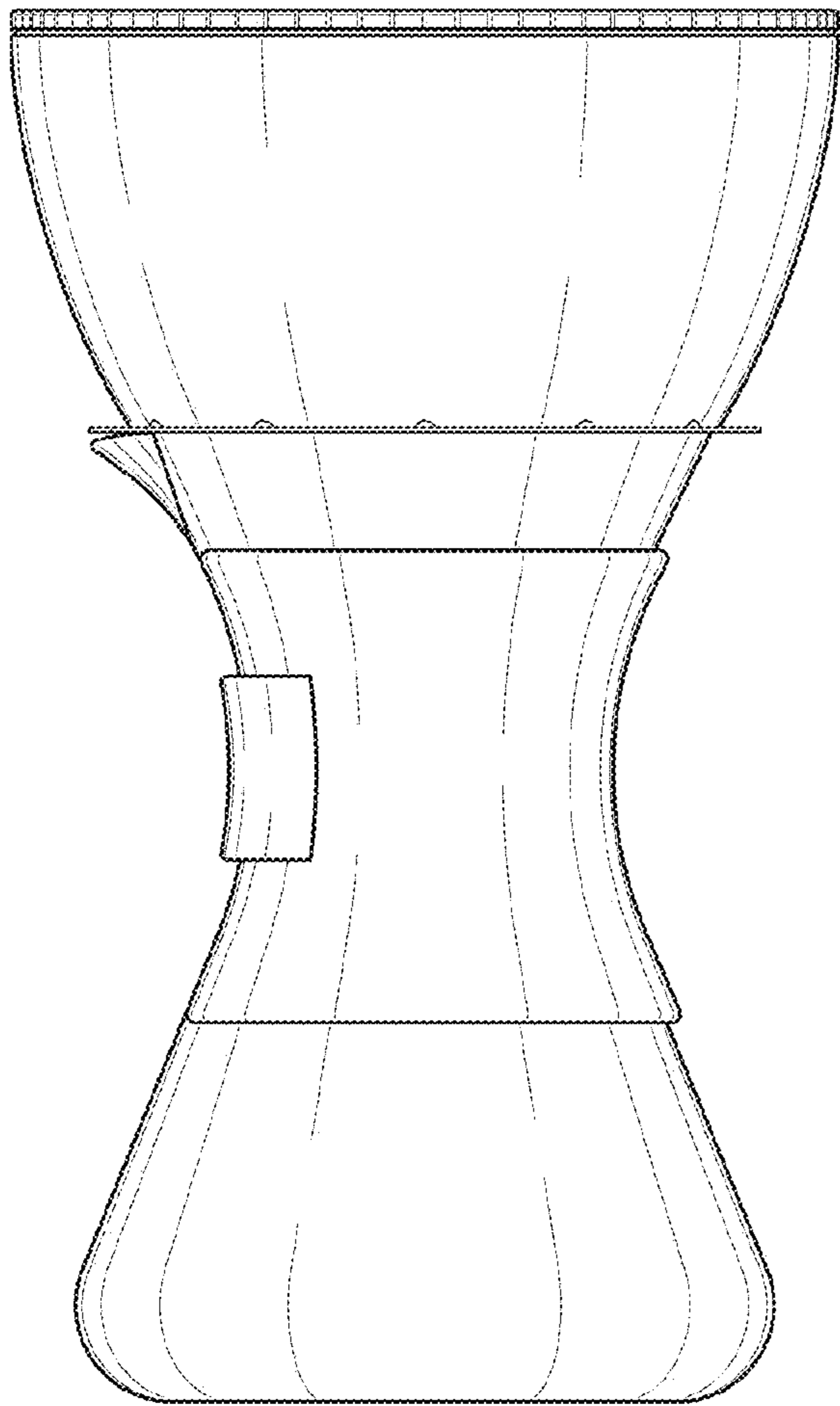




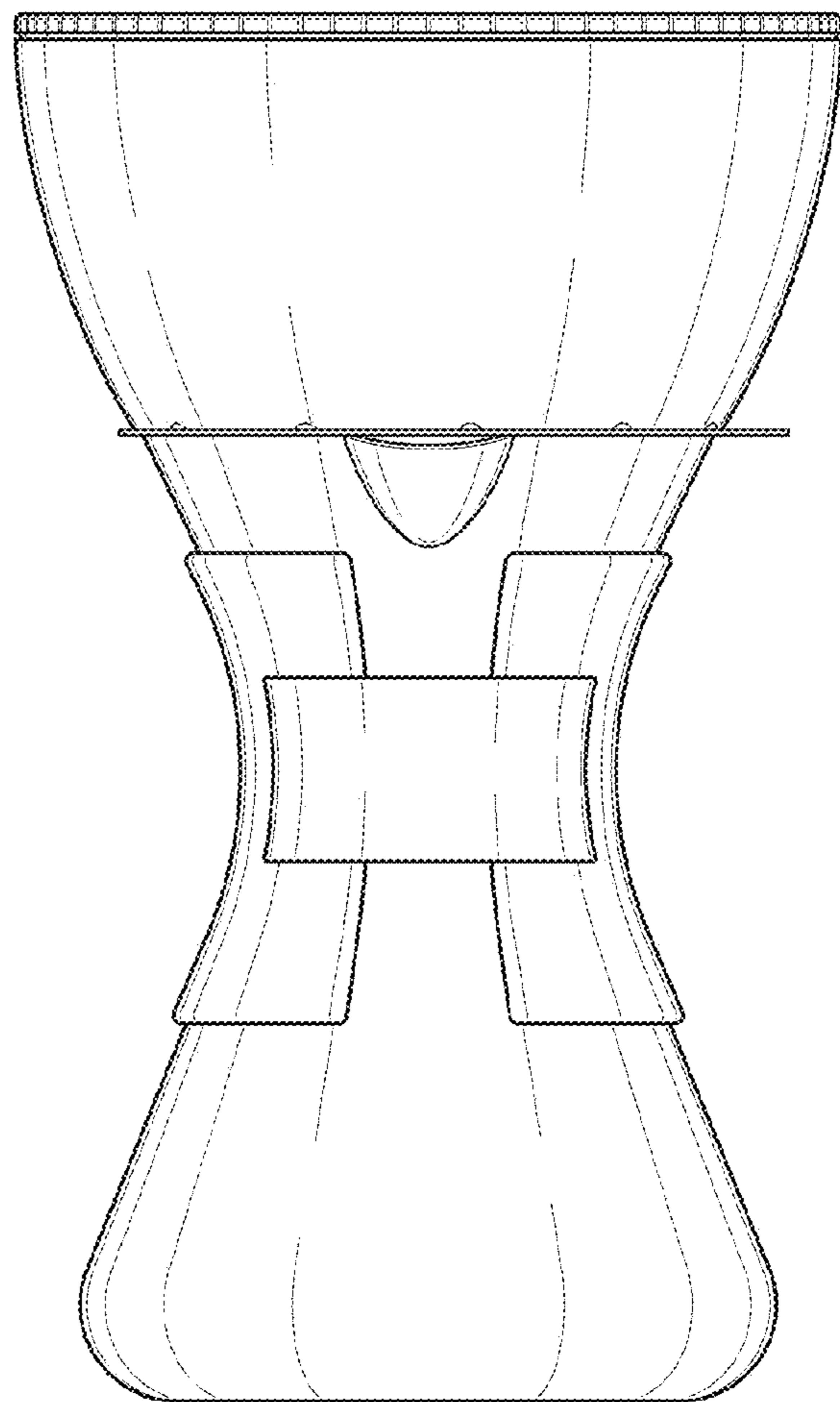
1.1



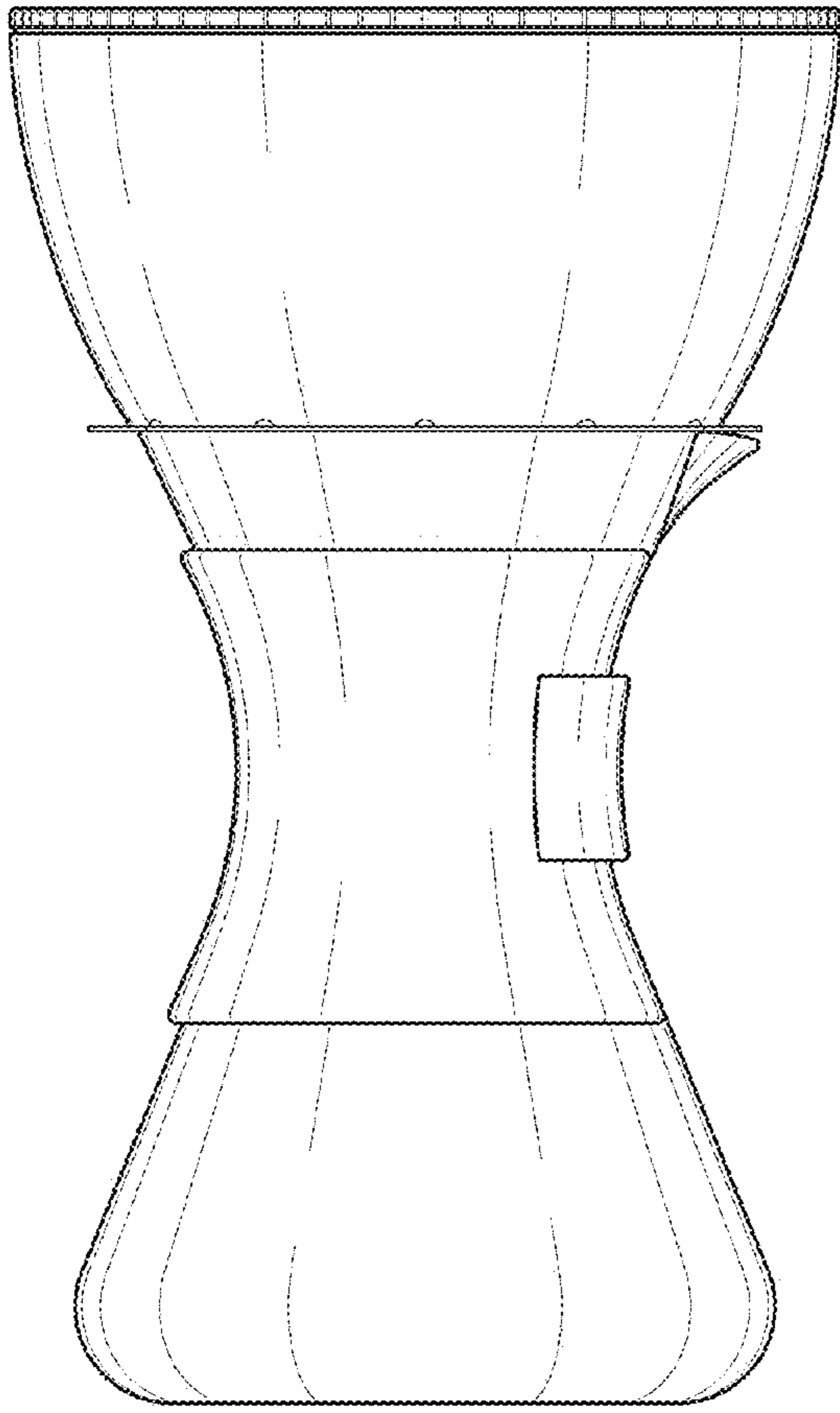
1.2



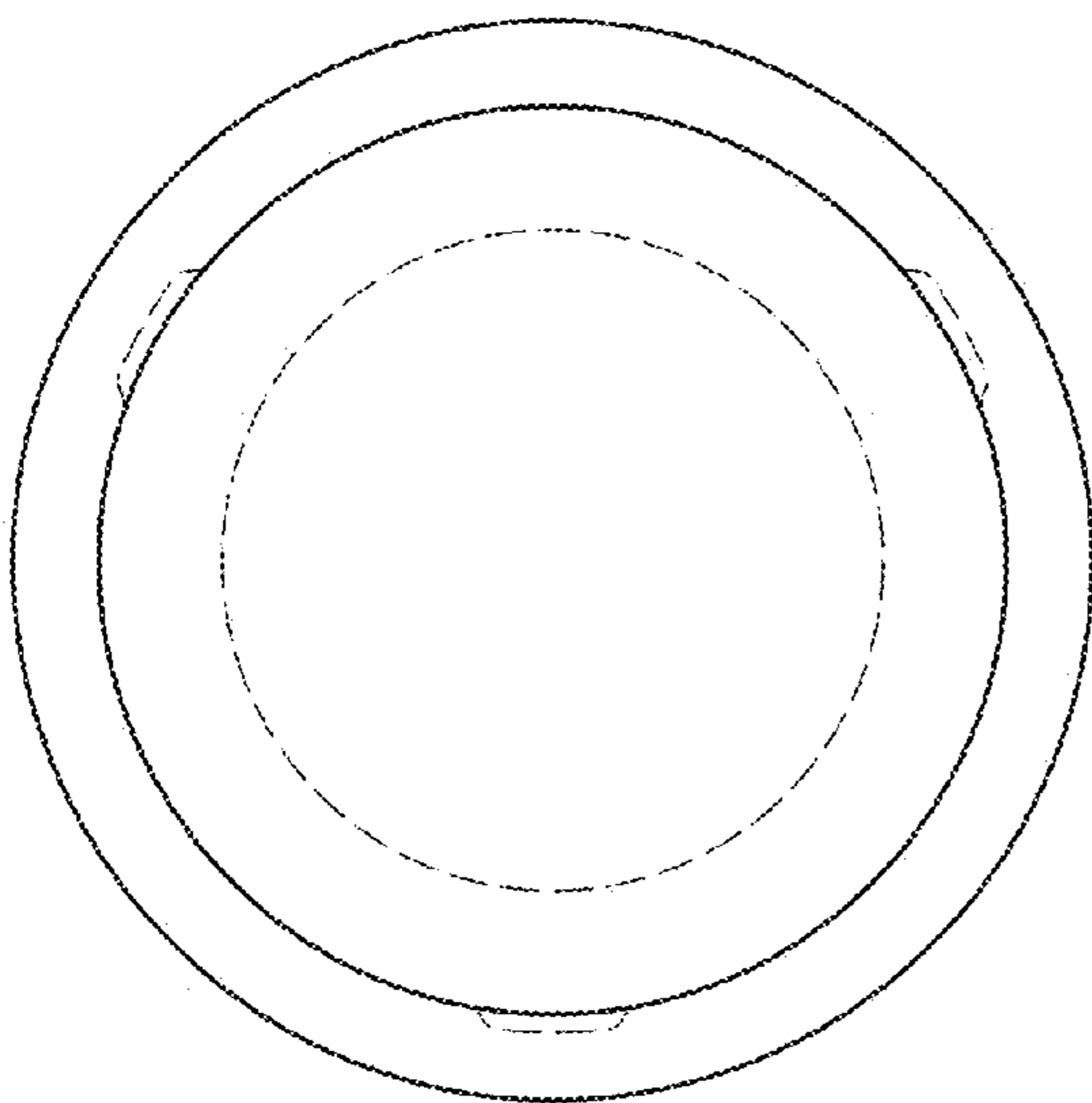
1.3



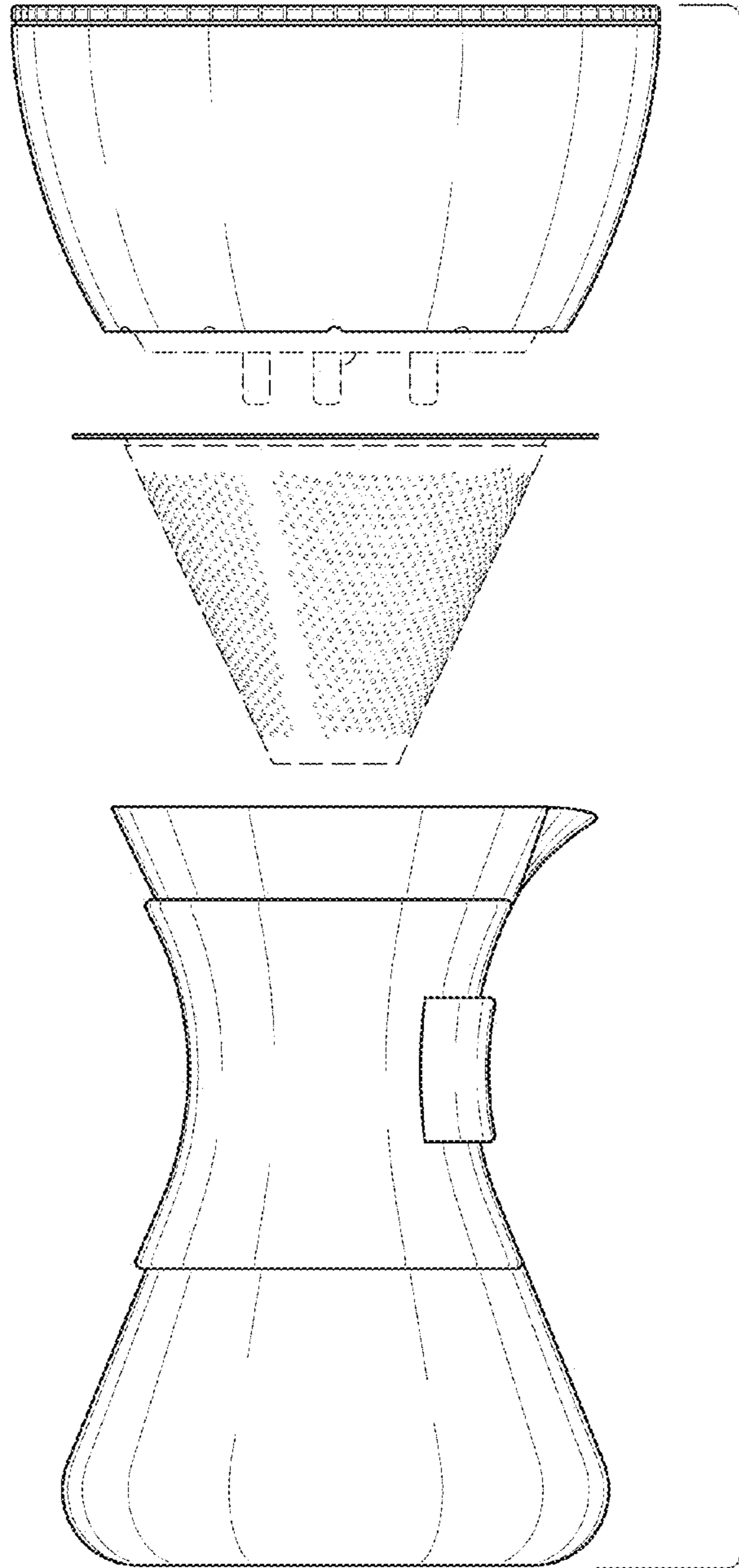
1.4



1.5



1.6



1.7