



US00D954484S

(12) **United States Design Patent**
DeLeo

(10) **Patent No.:** **US D954,484 S**
(45) **Date of Patent:** **** Jun. 14, 2022**

- (54) **COFFEE MAKER**
- (71) Applicant: **Sunbeam Products, Inc.**, Boca Raton, FL (US)
- (72) Inventor: **Anthony M. DeLeo**, Portage, MI (US)
- (73) Assignee: **Sunbeam Products, Inc.**, Boca Raton, FL (US)

- D531,855 S * 11/2006 Steiner D7/399
- D556,498 S * 12/2007 Harris D7/306
- D570,149 S * 6/2008 Truong D7/306
- D581,197 S * 11/2008 Kassenaar D7/306
- D584,922 S * 1/2009 Spiegel D7/309
- D586,169 S * 2/2009 Kennedy D7/306
- D645,286 S * 9/2011 Porebski D7/306

(Continued)

(**) Term: **15 Years**

(21) Appl. No.: **29/743,404**

(22) Filed: **Jul. 21, 2020**

(51) **LOC (13) Cl.** **07-02**

(52) **U.S. Cl.**
USPC **D7/309**

(58) **Field of Classification Search**
 USPC D7/300-322, 378, 397-400, 602, 603, D7/700; D9/417, 447, 524-526, 530, D9/572, 575, 633; D15/81, 82; D20/1; D23/201, 205, 209; D24/216, 220, 224; D30/121, 132; D34/39; 99/275, 276
 CPC A23G 9/0452; A47J 31/00; A47J 31/007; A47J 31/057; A47J 31/10; A47J 31/3676; A47J 31/40; A47J 31/402; A47J 31/404; A47J 31/41; A47J 31/4482; A47J 31/4489; A47J 43/042; A47J 43/27; A47J 2043/04454; B67D 1/00; B67D 1/0004; B67D 1/0021; B67D 1/0078; B67D 1/0462; B67D 1/0801; B67D 1/0872; B67D 1/1252; B67D 2001/0087; B67D 2001/0098; B67D 2001/0822; B67D 3/0032; B67D 3/0035; B67D 7/82; B67D 7/84; C02F 1/002; C02F 1/003; C12C 11/00; C12C 11/006; C12C 13/10

See application file for complete search history.

(56) **References Cited**

U.S. PATENT DOCUMENTS

- D463,194 S * 9/2002 Busick D7/306
- D507,449 S * 7/2005 Burton D7/309

OTHER PUBLICATIONS

Mr Coffee Iced Coffee Maker with Reusable Tumbler and Coffee Filter, first available Oct. 30, 2020, Amazon, [online], [site visited Aug. 30, 2021], Available from internet URL: <https://www.amazon.com/Coffee-Maker-Reusable-Tumbler-Filter/dp/B08M9FW6NK> (Year: 2020).*

(Continued)

Primary Examiner — Mary Ann Calabrese
Assistant Examiner — Natalya M Rapundalo
(74) *Attorney, Agent, or Firm* — Husch Blackwell LLP

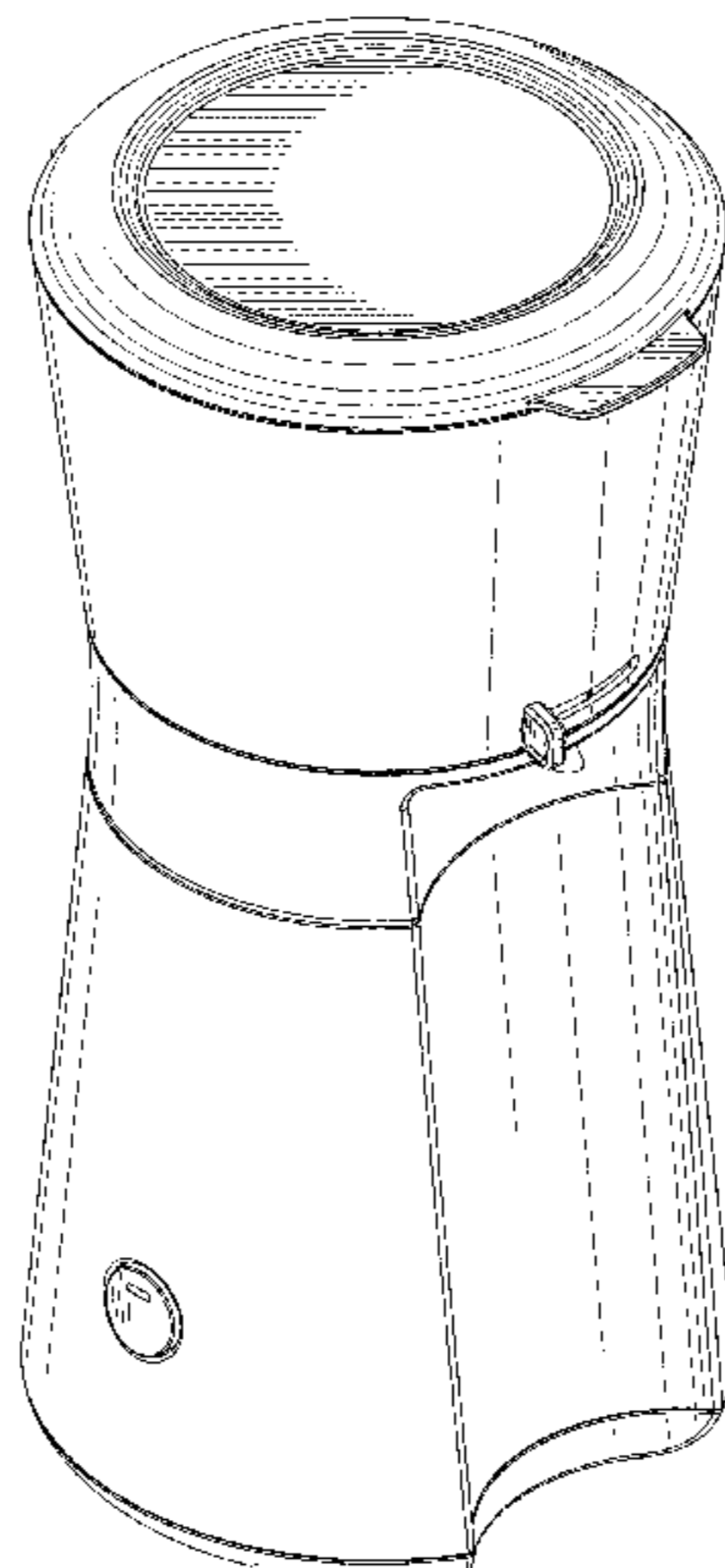
(57) **CLAIM**

I claim the ornamental design for a coffee maker, as shown and described.

DESCRIPTION

FIG. 1 is a front top perspective view of a coffee maker according to my new design;
FIG. 2 is a front bottom perspective view thereof;
FIG. 3 is a front elevation view thereof;
FIG. 4 is a rear elevation view thereof;
FIG. 5 is a right side elevation view thereof;
FIG. 6 is a left side elevation view thereof;
FIG. 7 is a top plan view thereof; and,
FIG. 8 is a bottom plan view thereof.
The broken lines in the figures illustrate environment or portions of the coffee maker and form no part of the claimed design.

1 Claim, 7 Drawing Sheets



(56)

References Cited

U.S. PATENT DOCUMENTS

D764,863 S * 8/2016 Lee D7/373
D889,180 S * 7/2020 Krause D7/310

OTHER PUBLICATIONS

Breville Iced Coffee Maker, first available May 5, 2021, Amazon, [online], [site visited Sep. 20, 2021], Available from internet URL: <https://www.amazon.co.uk/Breville-Coffee-Maker-Minutes-VCF155/dp/B0942S72J3> (Year: 2021).*

Design No. 306616266, Jun. 15, 2021—China National Intellectual Property Administration (CNIPA) Publication Date—Jun. 15, 2021 Owner—Haiyan Donghai Electrical Appliance Co Ltd, Designer—Xu Jiedong WIPO, available at <https://www3.wipo.int/designdb/en/index.jsp> (Year: 2021).*

Design No. 306717178, Jul. 27, 2021—China National Intellectual Property Administration (CNIPA) Publication Date—Jul. 27, 2021 Owner—Zhong Wei WIPO, available at <https://www3.wipo.int/designdb/en/index.jsp> (Year: 2021).*

* cited by examiner

FIG. 1

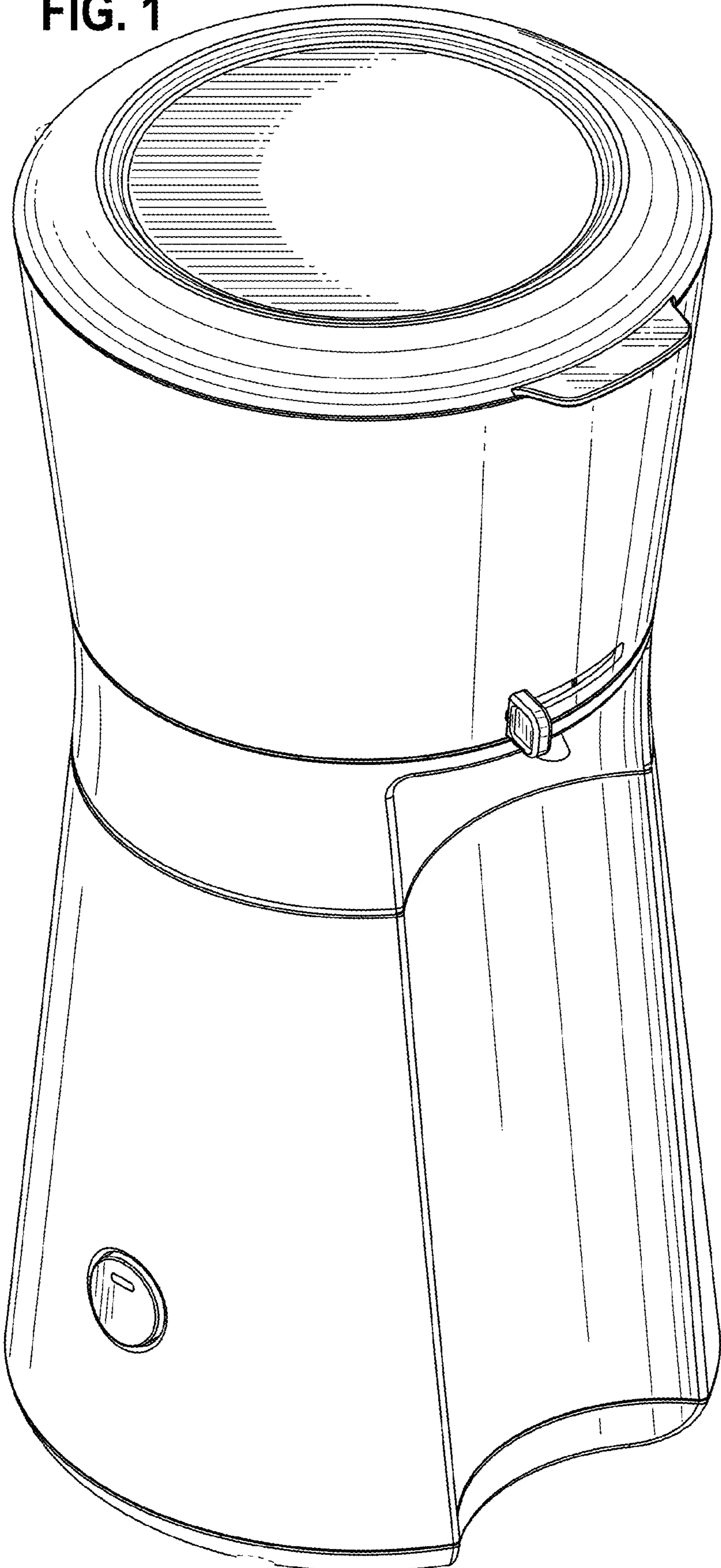


FIG. 2

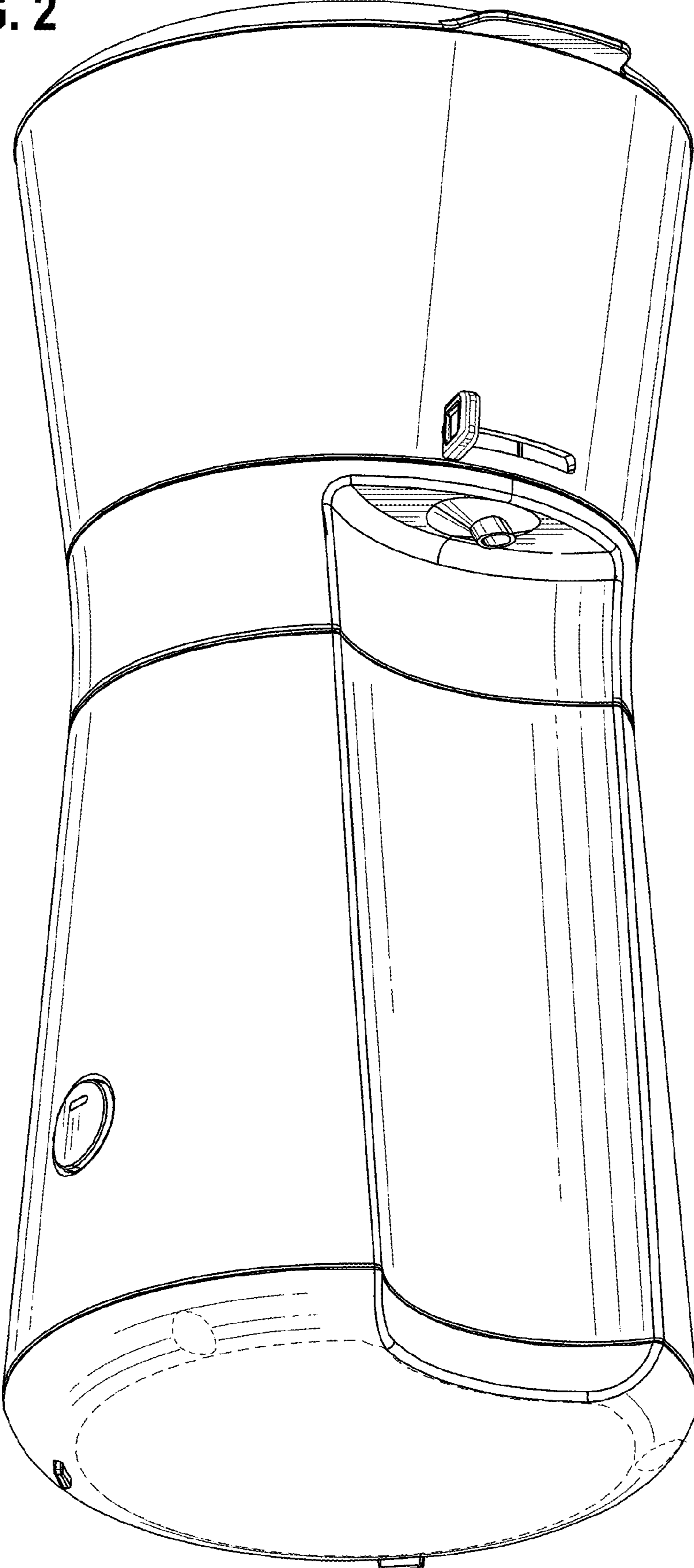


FIG. 3

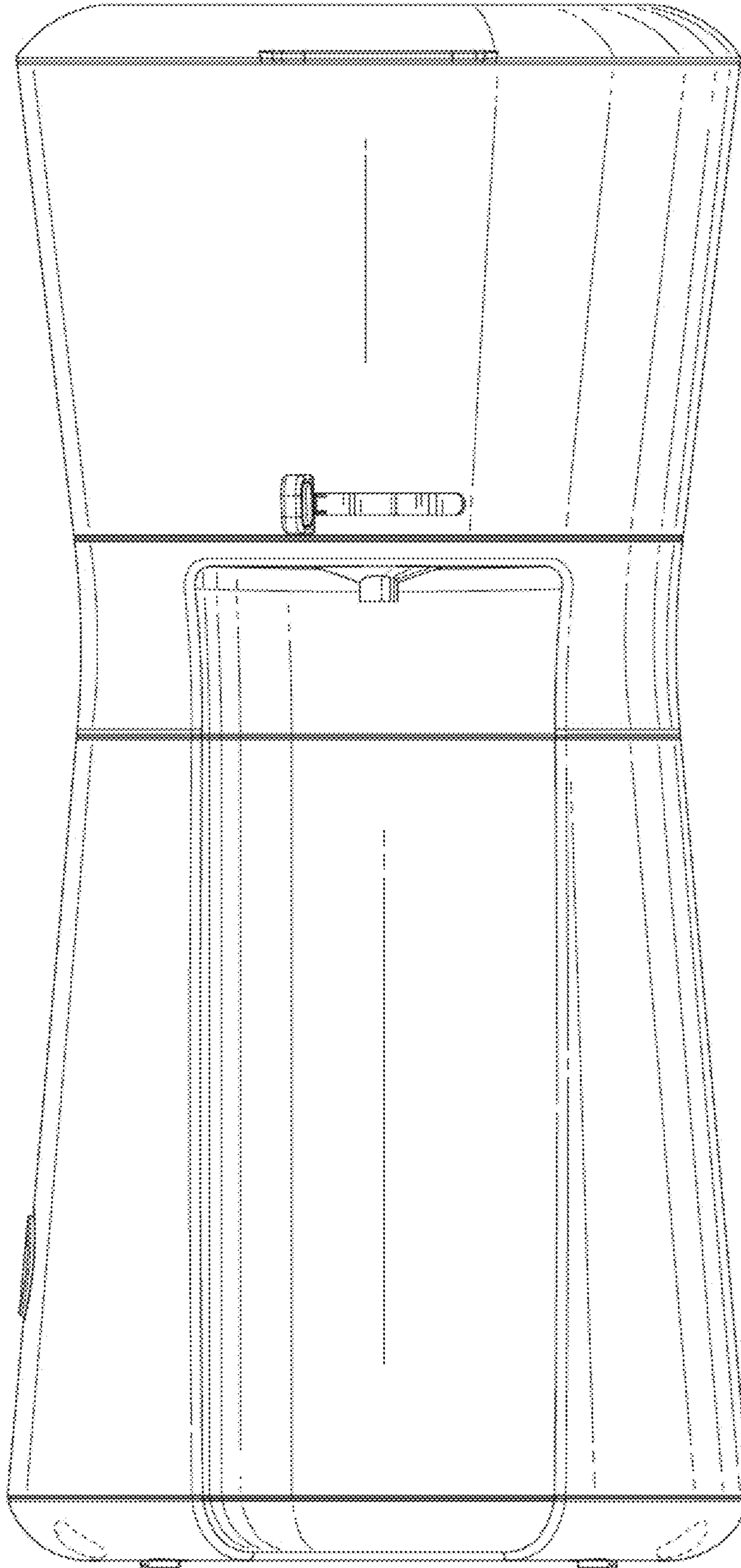


FIG. 4

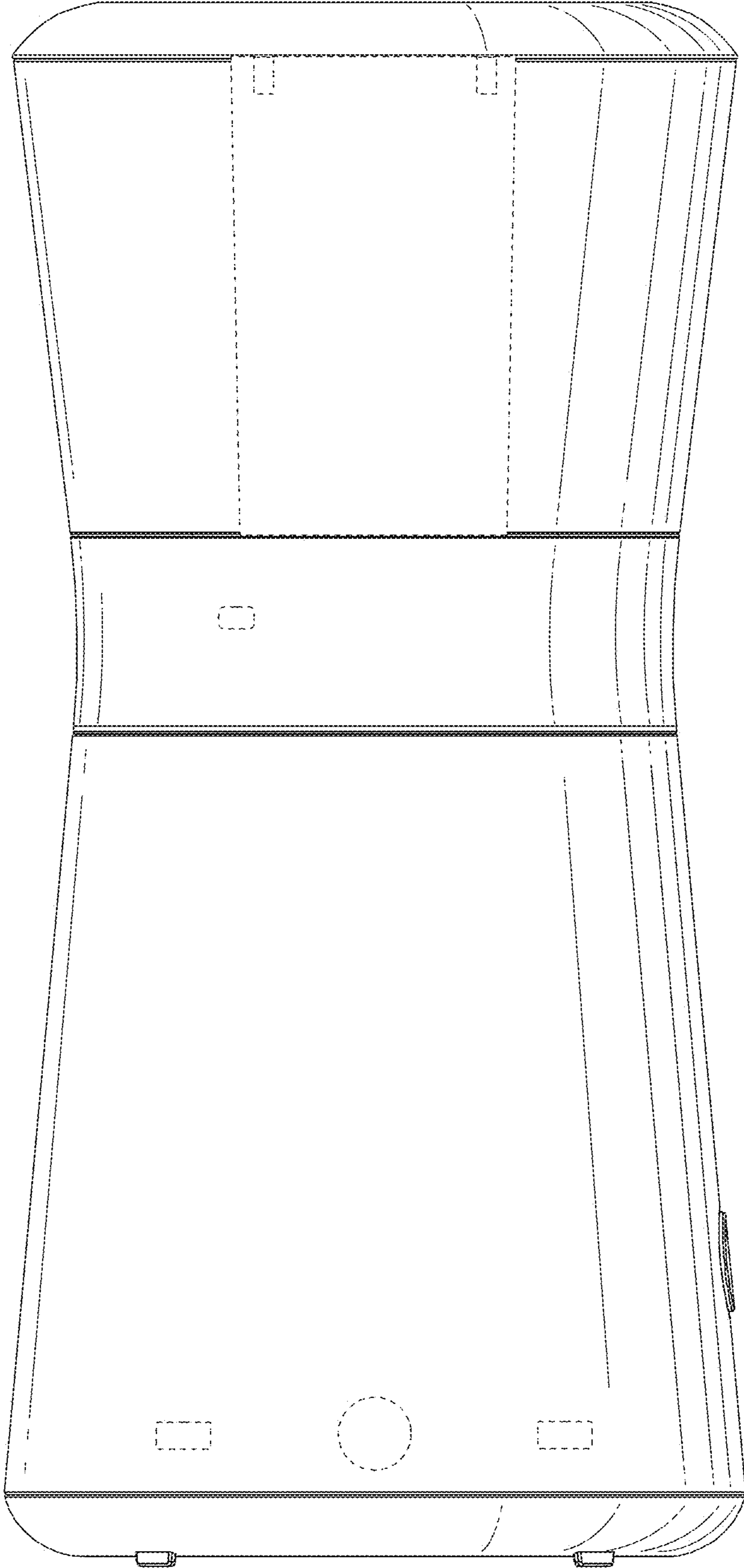


FIG. 5

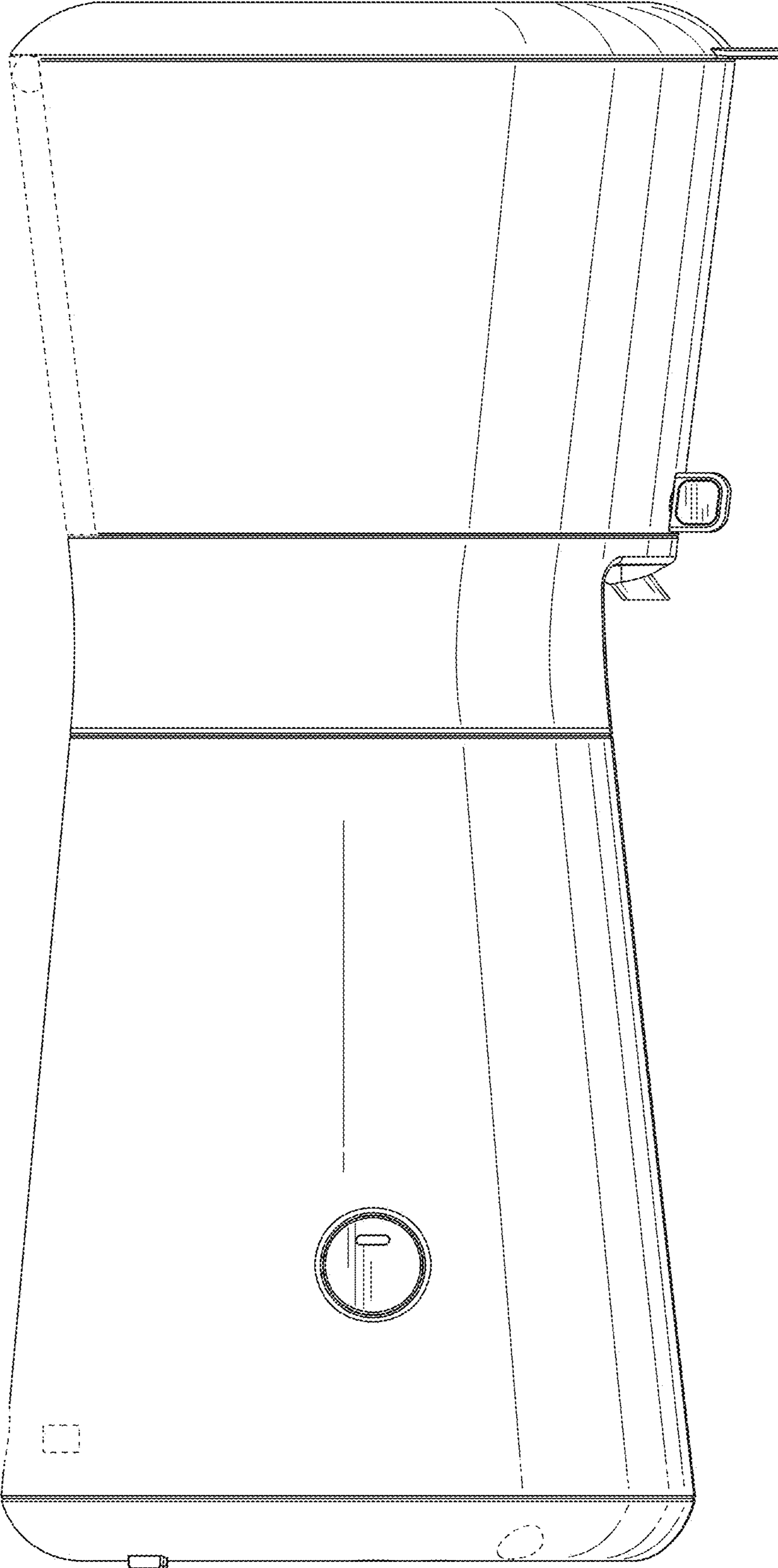


FIG. 6

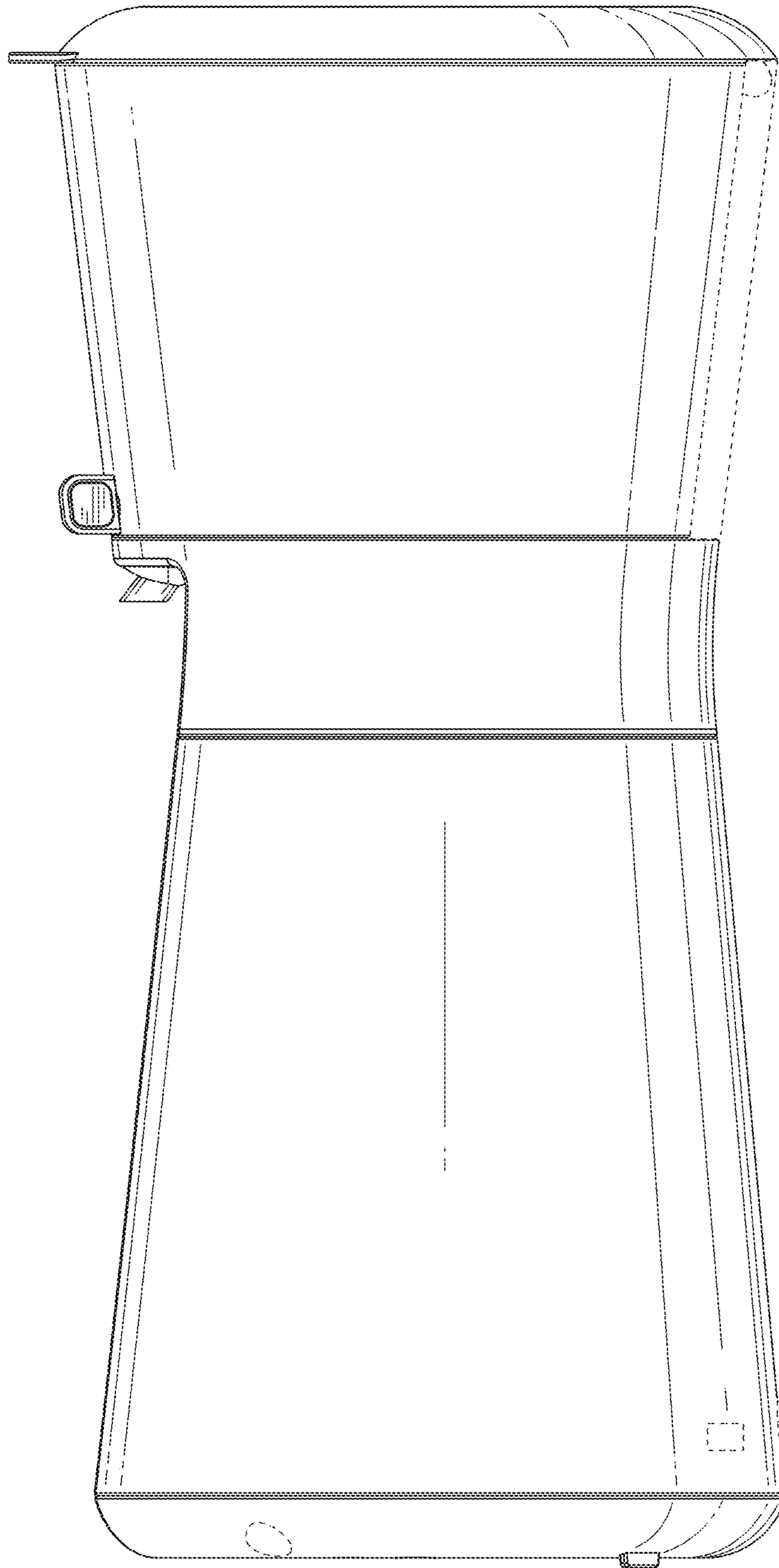


FIG. 7

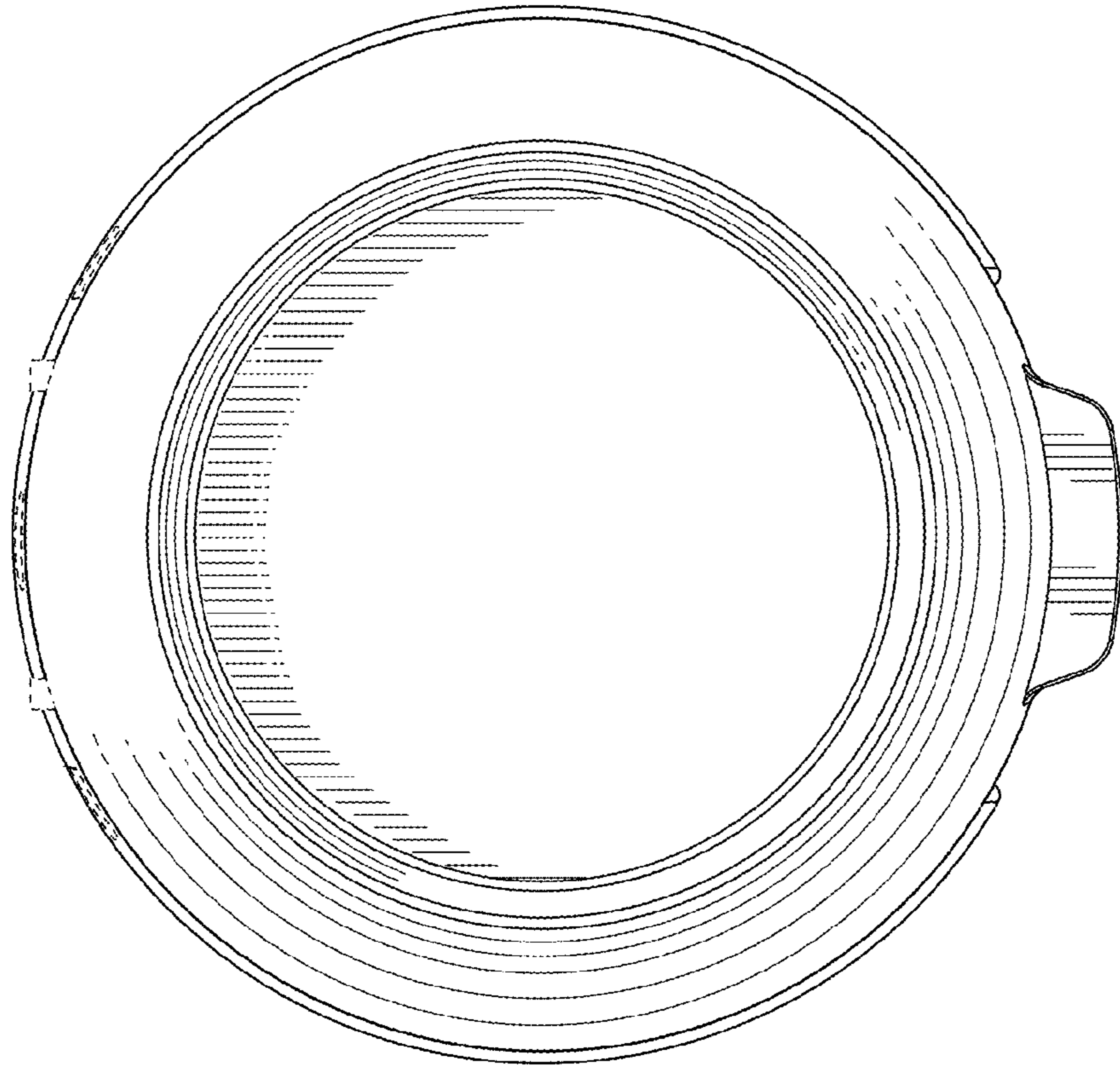


FIG. 8

