



US00D954483S

(12) **United States Design Patent**
Regamey et al.

(10) **Patent No.:** **US D954,483 S**
(45) **Date of Patent:** **** Jun. 14, 2022**

(54) **BEVERAGE MACHINE**

(71) Applicant: **CAFÉ TRÊS CORAÇÕES S.A.**, São Benedito (BR)

(72) Inventors: **Damien Regamey**, Biel/Bienne (CH); **Heiko Stahl**, Biel/Bienne (CH)

(73) Assignee: **CAFÉ TRÊS CORAÇÕES S.A.**, Santa Luzia-Minas Gerais (BR)

(**) Term: **15 Years**

(21) Appl. No.: **29/699,873**

(22) Filed: **Jul. 30, 2019**

(30) **Foreign Application Priority Data**

Jun. 17, 2019 (BR) 30 2019 002643-0

(51) **LOC (13) Cl.** **07-02**

(52) **U.S. Cl.**
USPC **D7/309; D7/311; D7/312; D7/398**

(58) **Field of Classification Search**
USPC **D7/300, 305-313, 316, 317, 319-322, D7/354, 359, 367, 372, 373, 374, 376, D7/386, 387, 397-401, 590, 592, 600, D7/665, 667, 679, 700; D30/121, 129, D30/132; D15/80-82; D20/1, 4; D23/207**

CPC **A47J 31/02; A47J 31/0573; A47J 31/061; A47J 31/0615; A47J 31/0626; A47J 31/18; A47J 31/24; A47J 31/36; A47J 31/3633; A47J 31/407; A47J 31/44; A47J 31/4403; A47J 31/4482; A47J 31/46; A47J 31/467; A47J 31/50; A47J 31/52; A47J 31/56; A47J 19/00; A47J 19/02; A47J 19/023; A47J**

(Continued)

(56) **References Cited**

U.S. PATENT DOCUMENTS

D462,865 S * 9/2002 Honan A47J 31/057
D7/309
D515,347 S * 2/2006 Reuss, Jr. D7/309
(Continued)

FOREIGN PATENT DOCUMENTS

CA 157643 * 5/2015
CA 178354 * 8/2018
(Continued)

OTHER PUBLICATIONS

Tres, "A TRES® é o café oficial da CASACOR, a maior mostra de arquitetura, design de interiores e paisagismo das Américas!" May 24, 2017, Facebook.com, www.facebook.com/escolhaTRES/photos/a.201441576707572/713801325471592 (Year: 2017).*

(Continued)

Primary Examiner — Joseph Kukella

Assistant Examiner — Arva P Adams

(74) *Attorney, Agent, or Firm* — Polsinelli PC

(57) **CLAIM**

The ornamental design for a beverage machine, as shown and described.

DESCRIPTION

FIG. 1 is a top, front, right side perspective view of a beverage machine showing our new design;
FIG. 2 is a top, back, right side perspective view thereof;
FIG. 3 is a front elevation view thereof;
FIG. 4 is a back elevation view thereof;
FIG. 5 is a right side view thereof;
FIG. 6 is left side view thereof;

(Continued)

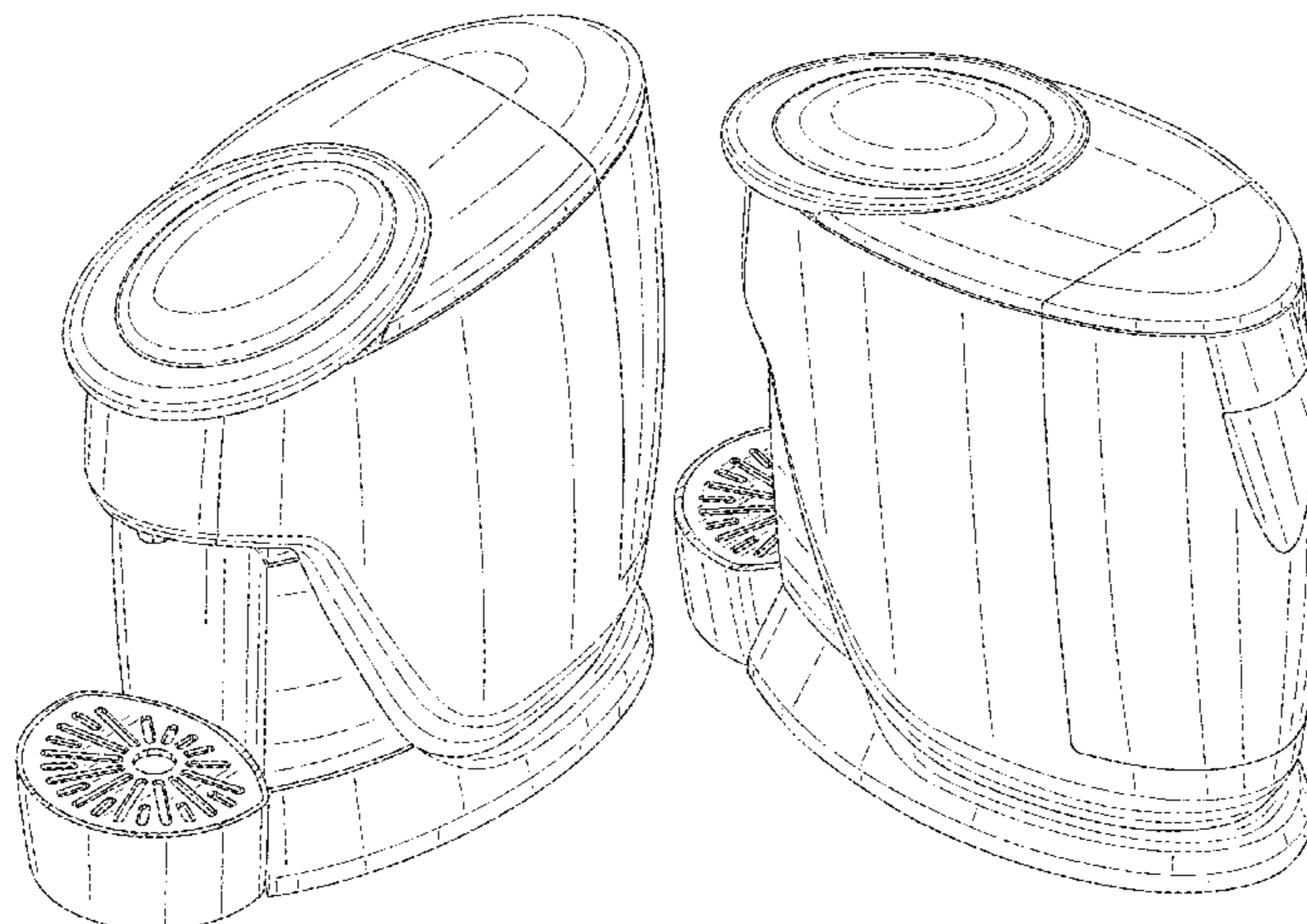


FIG. 7 is top view thereof; and,
 FIG. 8 is a bottom view thereof.
 The broken lines shown in the Figures show portions of the
 beverage machine that form no part of the claimed design.

1 Claim, 8 Drawing Sheets

(58) **Field of Classification Search**

CPC 19/027; A47J 19/06; A47J 2203/00; A47J
 27/04; A23F 5/262; B65D 85/804; B65D
 85/8043; B65D 2581/3409; B67D 3/00;
 B67D 1/0004; B67D 1/0021; B67D
 1/0085; B67D 1/0086; B67D 1/0857;
 B67D 1/0867; B67D 2001/0087; C02F
 1/00; C02F 1/001; C02F 1/003

See application file for complete search history.

(56) **References Cited**

U.S. PATENT DOCUMENTS

D674,232 S * 1/2013 Lavy D7/309
 D683,174 S * 5/2013 Regamey D7/306
 D687,664 S * 8/2013 Beghelli D7/306
 D721,247 S * 1/2015 Manly D7/397
 D723,315 S * 3/2015 Wilder D7/306
 D723,317 S * 3/2015 Manly D7/306
 D779,257 S * 2/2017 Hale A47J 31/407
 D7/306
 D796,885 S * 9/2017 Wang D7/309
 D840,733 S * 2/2019 Hale D7/306
 D853,166 S * 7/2019 Koury A47J 31/469
 D7/306
 D866,236 S * 11/2019 Zisman A47J 31/0642
 D7/306
 D878,844 S * 3/2020 Zisman D7/306
 D881,626 S * 4/2020 Borrelli D7/309

D888,486 S * 6/2020 Yang D7/306
 D891,847 S * 8/2020 Seidl D7/309
 2010/0024658 A1* 2/2010 Jacobs A47J 31/469
 99/302 R
 2014/0251151 A1* 9/2014 Cao A47J 31/057
 99/295
 2014/0342069 A1* 11/2014 Tinkler A47J 31/407
 426/425
 2015/0201789 A1* 7/2015 Smith A47J 31/407
 99/295
 2015/0201791 A1* 7/2015 Tinkler A47J 31/469
 426/431
 2019/0069708 A1* 3/2019 Koury A47J 31/0642

FOREIGN PATENT DOCUMENTS

CA 190167 * 1/2021
 CH 144868-0001 * 9/2019
 CN 3477273 * 9/2005
 CN 300696892 * 10/2007
 CN 300780689 * 5/2008
 CN 300931175 * 5/2009
 CN 302595382 * 10/2013
 EM 006774121-0001 * 9/2019
 GB 3007601 * 6/2003
 GB 9006774121-0001 * 8/2019
 KR 300657063.0000 * 8/2012
 PE 000010-2018 * 3/2018

OTHER PUBLICATIONS

Linsion, "Air Fryer 4.5 QT 7-in-1 Touch Screen Hot Large Electric
 Air Fryer Oven Oilless Cooker," Apr. 4, 2019, Amazon.com,
www.amazon.com/dp/B07QB9VY7R (Year: 2019).
 Tres, "Moderna, compacta, elegante e touch screen!" Oct. 23, 2020,
 Facebook.com, www.facebook.com/escolhaTRES/photos/1587333254785057 (Year: 2020).*

* cited by examiner

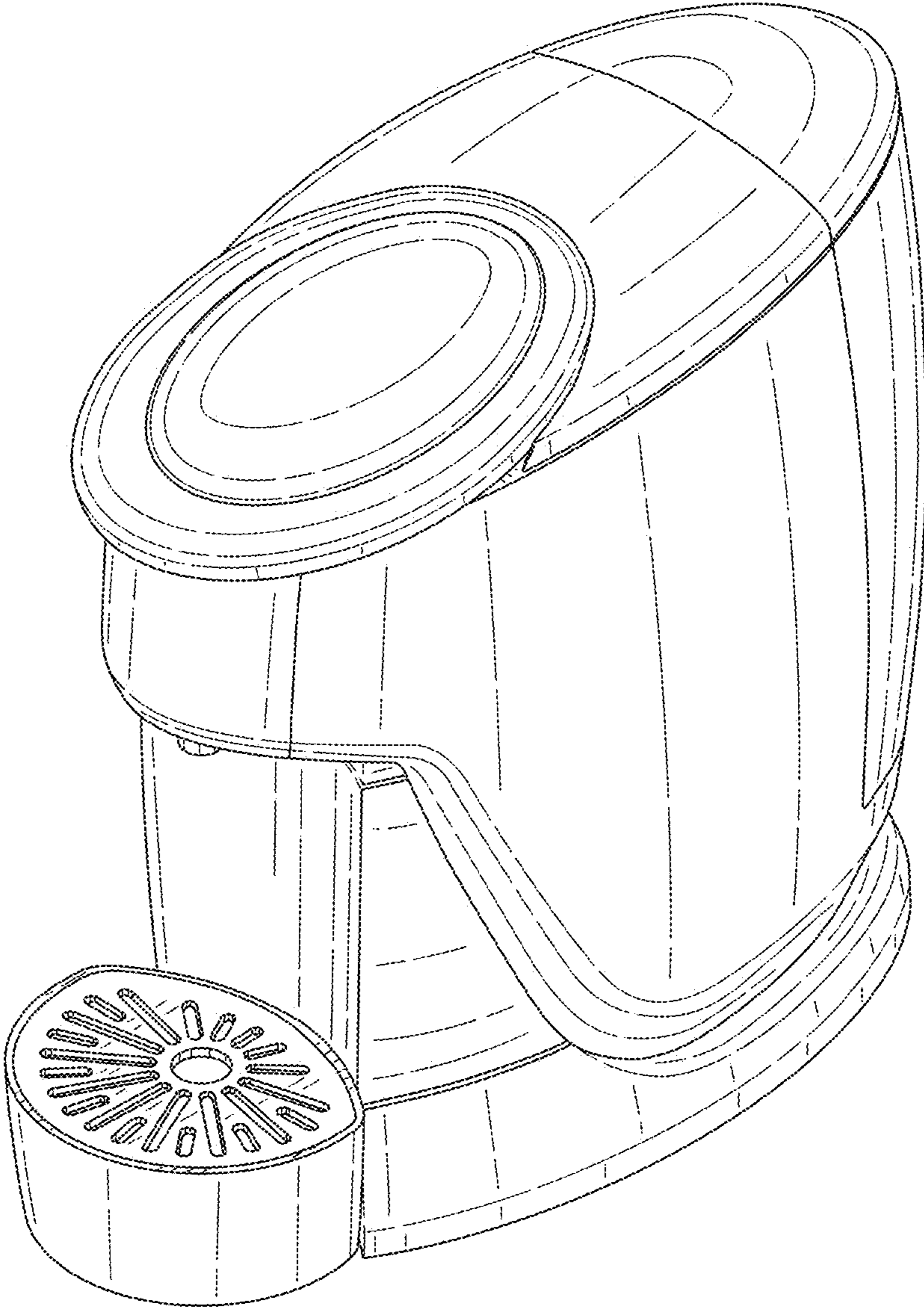


FIG. 1

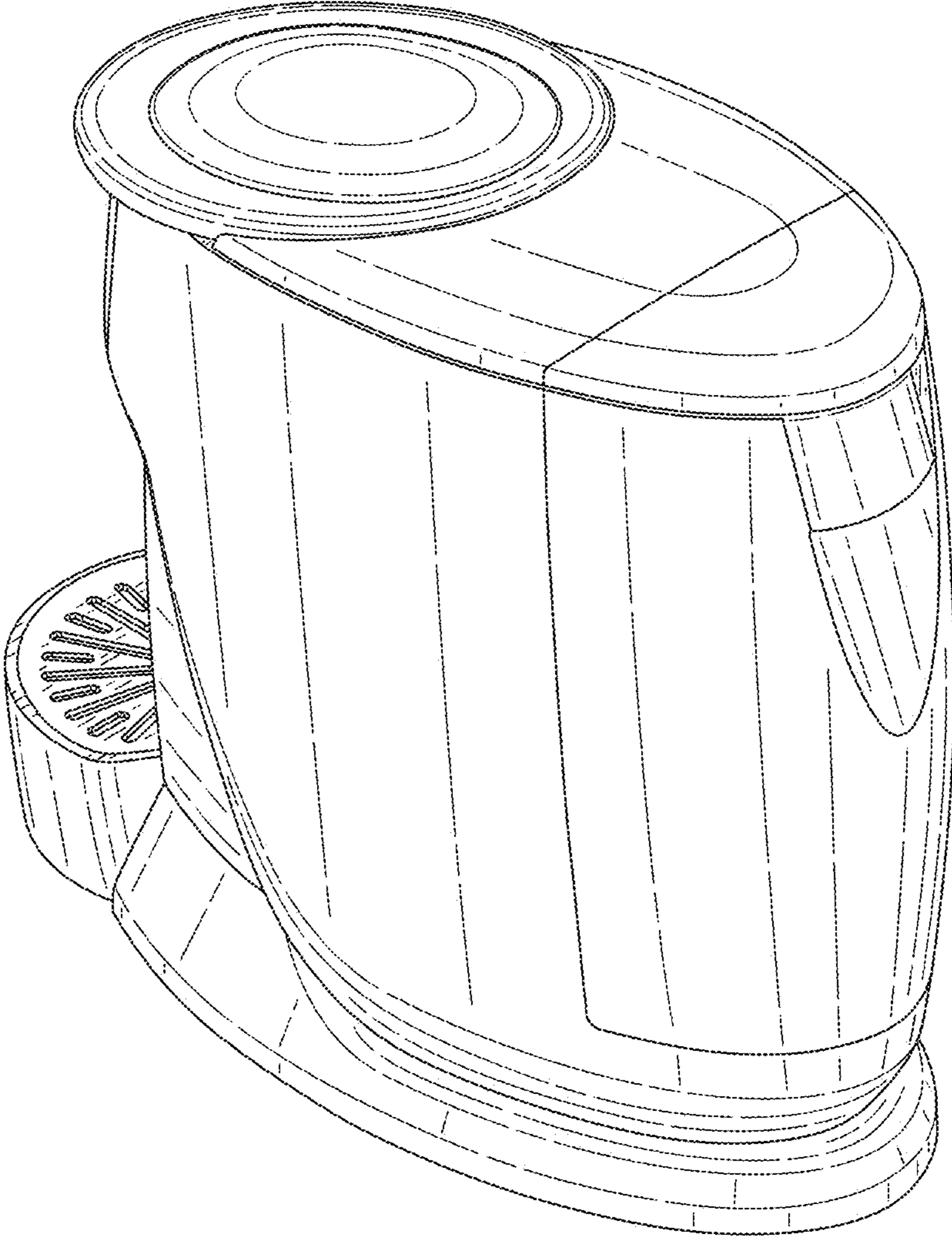


FIG.2

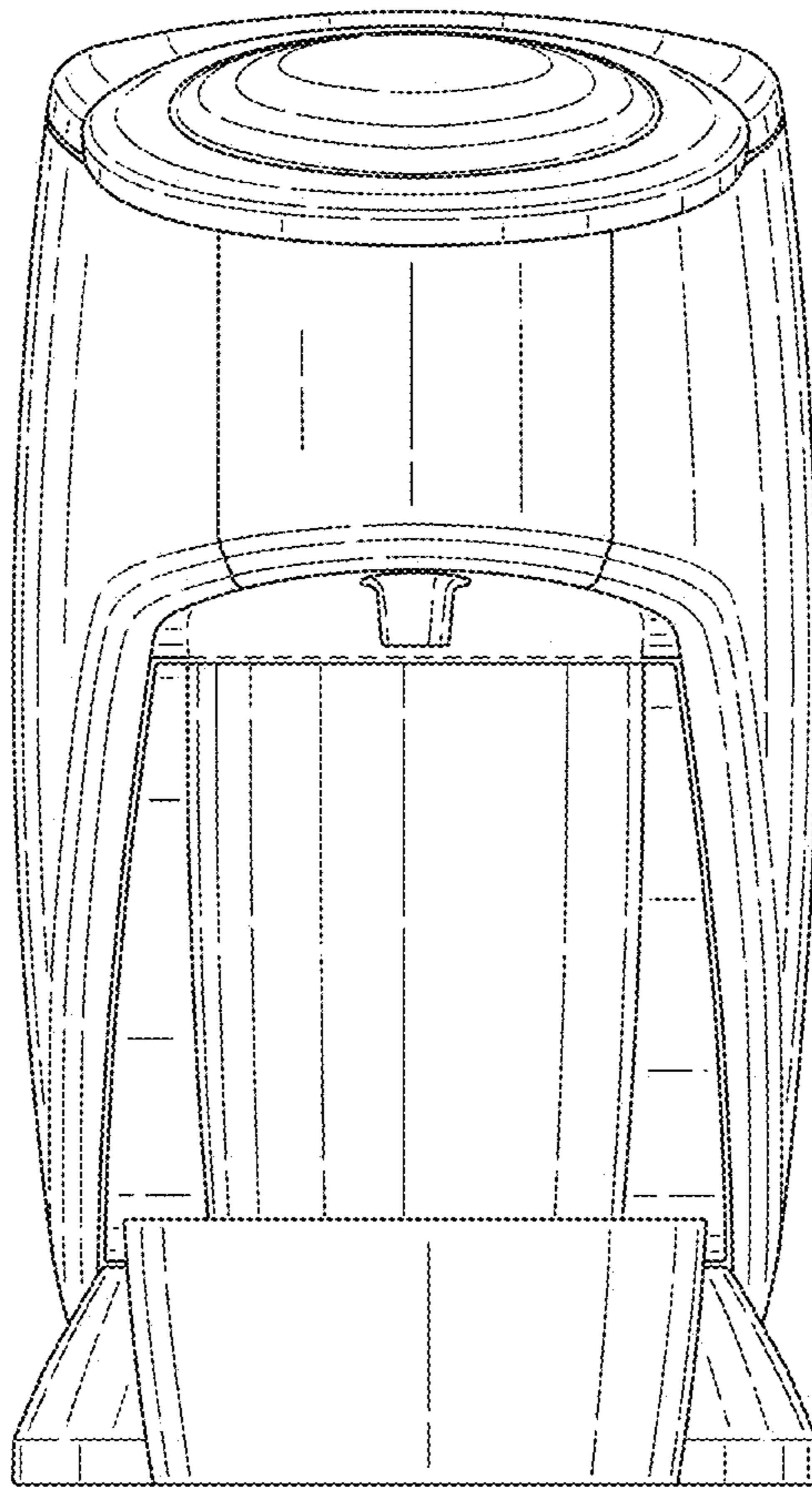


FIG.3

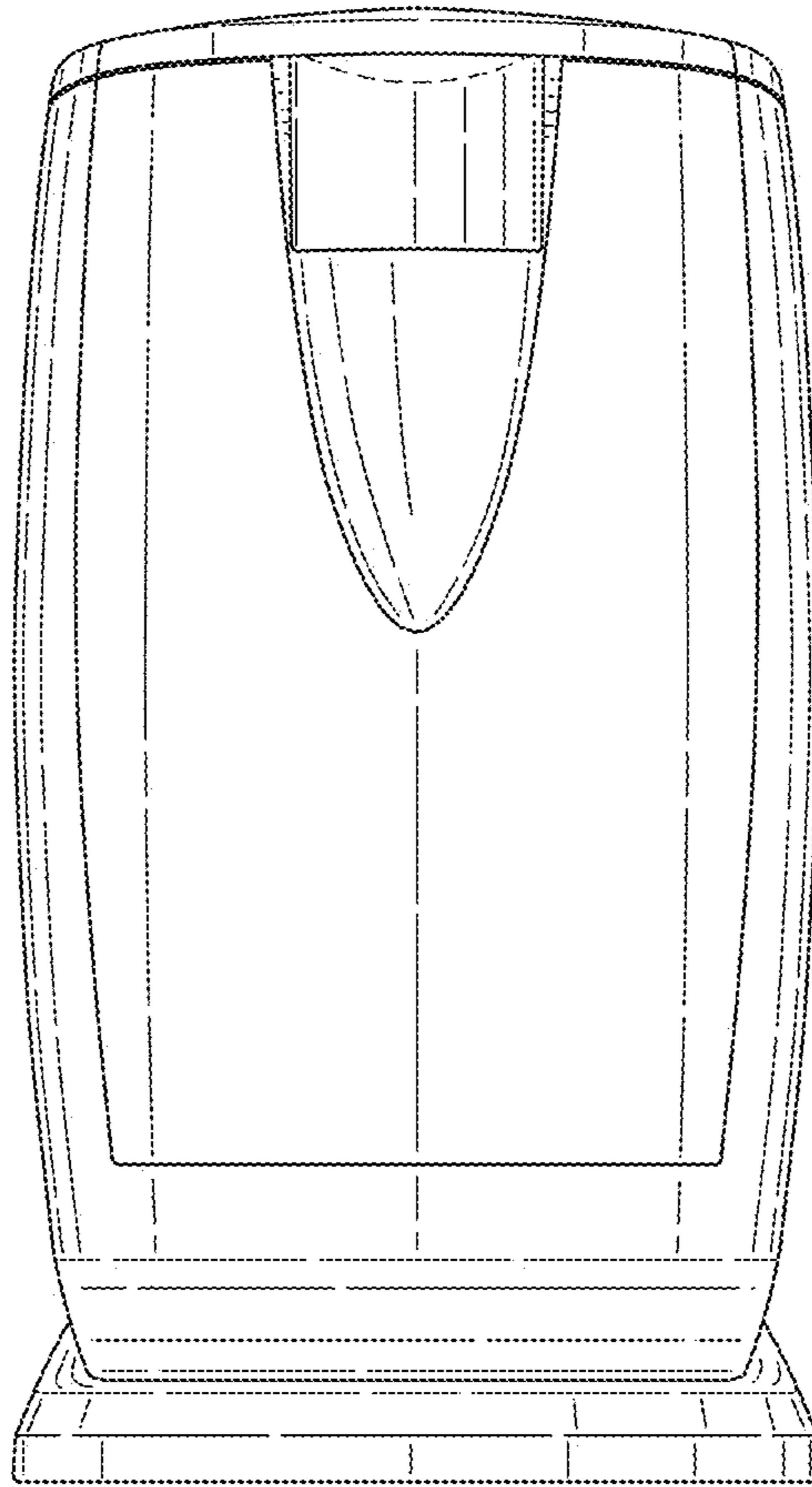


FIG. 4

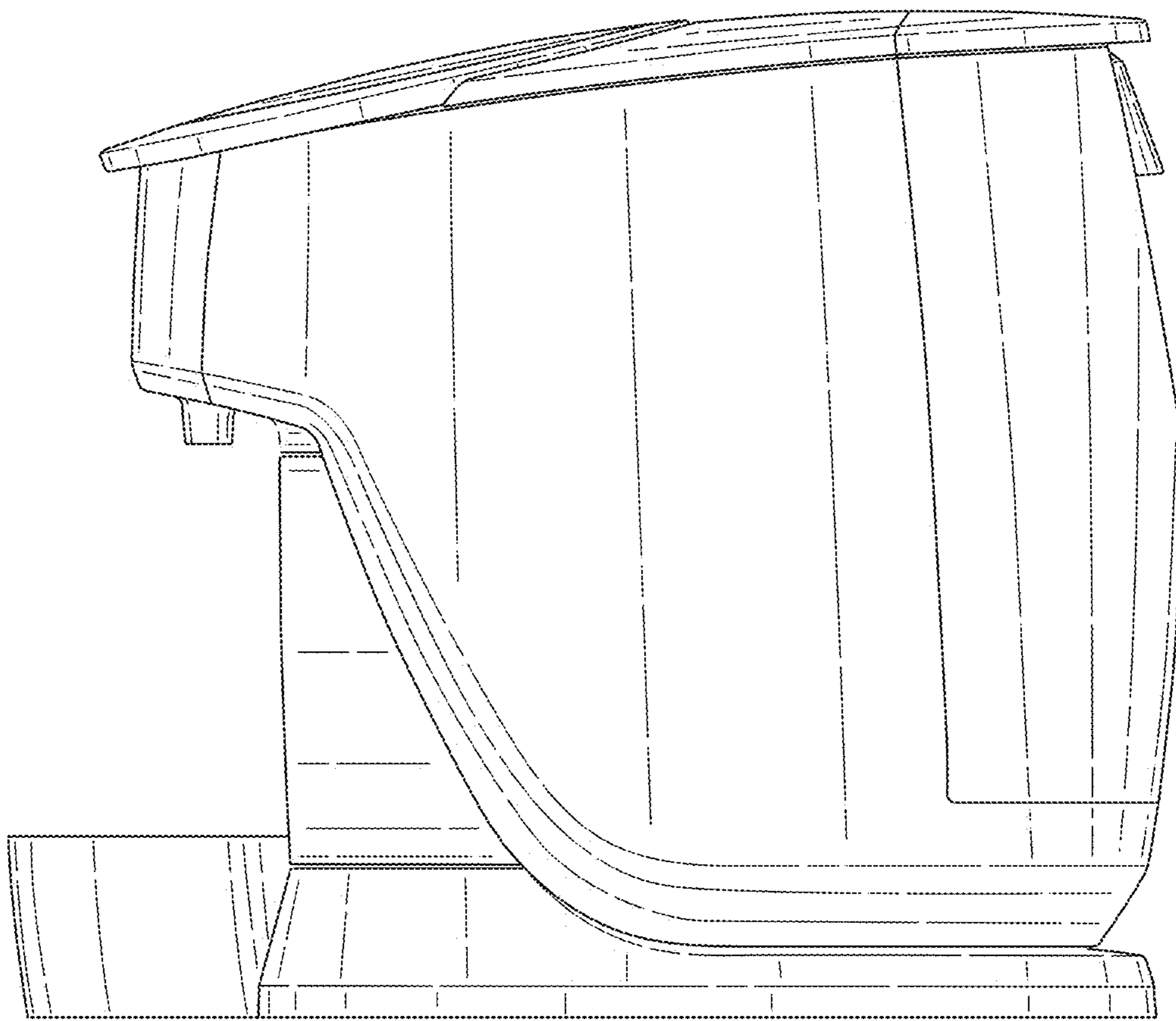


FIG. 5

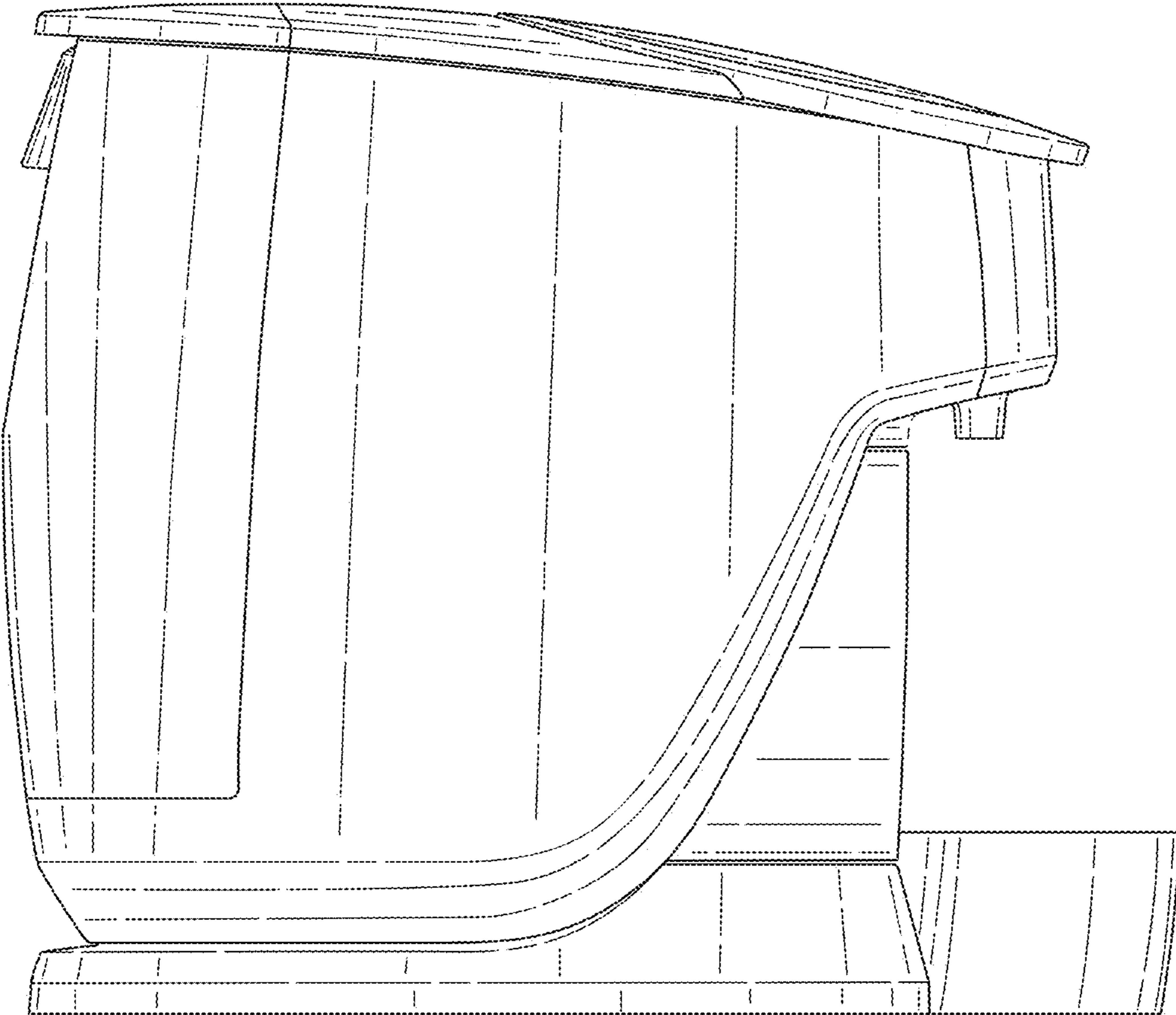


FIG.6

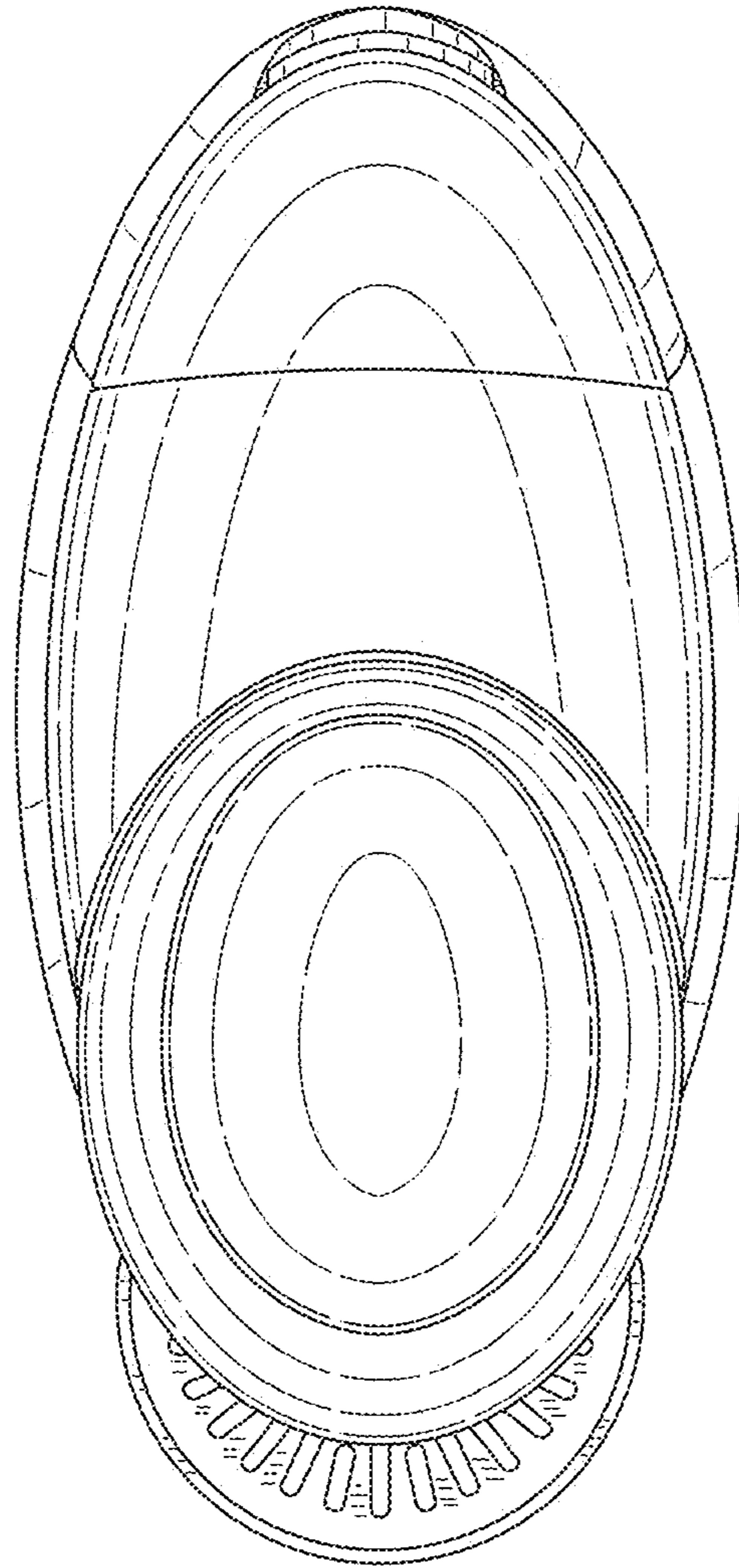


FIG.7

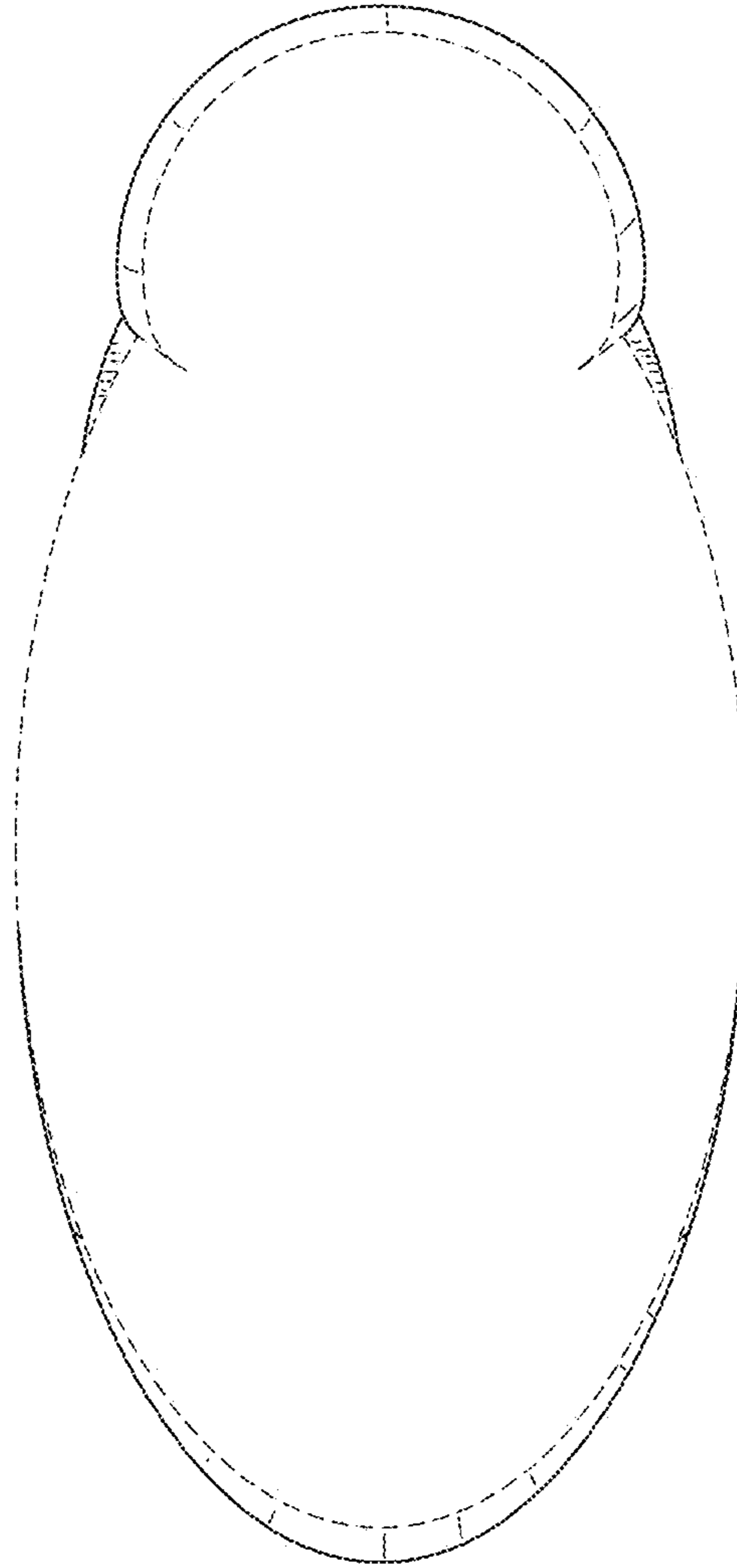


FIG. 8