



US00D954482S

(12) **United States Design Patent**  
**Hong-Lin**

(10) **Patent No.:** **US D954,482 S**  
(45) **Date of Patent:** **\*\* Jun. 14, 2022**

(54) **STRAW**  
(71) Applicant: **Yen Hong-Lin**, Taoyuan (TW)  
(72) Inventor: **Yen Hong-Lin**, Taoyuan (TW)  
(73) Assignee: **Yen Hong-Lin**, Taoyuan (TW)  
(\*\*) Term: **15 Years**

(21) Appl. No.: **29/732,160**  
(22) Filed: **Apr. 22, 2020**

(30) **Foreign Application Priority Data**

Jan. 14, 2020 (TW) ..... 109300204

(51) **LOC (13) Cl.** ..... **07-06**

(52) **U.S. Cl.**  
USPC ..... **D7/300.2**

(58) **Field of Classification Search**  
USPC ..... D27/101; D7/300, 300.2, 301, 635;  
D23/205, 209  
CPC ..... B65D 81/26; B65D 2517/0049; A47G  
21/18; A47G 21/187; A61J 7/0038  
See application file for complete search history.

(56) **References Cited**

**U.S. PATENT DOCUMENTS**

754,948	A *	3/1904	White	.....	F16L 58/16 138/145
RE20,435	E *	7/1937	Dieffenbach	.....	A47G 21/18 138/144
D219,530	S *	12/1970	Billings, Jr.	.....	D15/28
4,608,046	A *	8/1986	Towfigh	.....	A61F 5/4556 4/144.3
D720,192	S *	12/2014	Hayman	.....	D8/1
D732,871	S *	6/2015	Zeghibe	.....	D7/300.2
10,197,210	B2 *	2/2019	Hoffman	.....	F16L 59/024
D902,637	S *	11/2020	Healey	.....	D7/300.2
D903,394	S *	12/2020	Liu	.....	D7/300.2
11,039,702	B2 *	6/2021	Allen	.....	A47G 21/18

2019/0038058	A1 *	2/2019	Abbott-Glazier	.....	A47G 21/18
2020/0138215	A1 *	5/2020	Wu	.....	A47G 21/18
2020/0229627	A1 *	7/2020	Wei	.....	A47G 21/18
2021/0037999	A1 *	2/2021	Salomaki	.....	A47G 21/18
2021/0085109	A1 *	3/2021	Chen	.....	A47G 21/18
2021/0093112	A1 *	4/2021	Kimura	.....	A47G 21/18
2021/0212490	A1 *	7/2021	Hong-Lin	.....	A47G 21/18
2021/0235908	A1 *	8/2021	Emami	.....	A47G 21/18

\* cited by examiner

*Primary Examiner* — S. Bryan Reinholdt, Jr.

(74) *Attorney, Agent, or Firm* — Amin, Turocy & Watson, LLP

(57) **CLAIM**

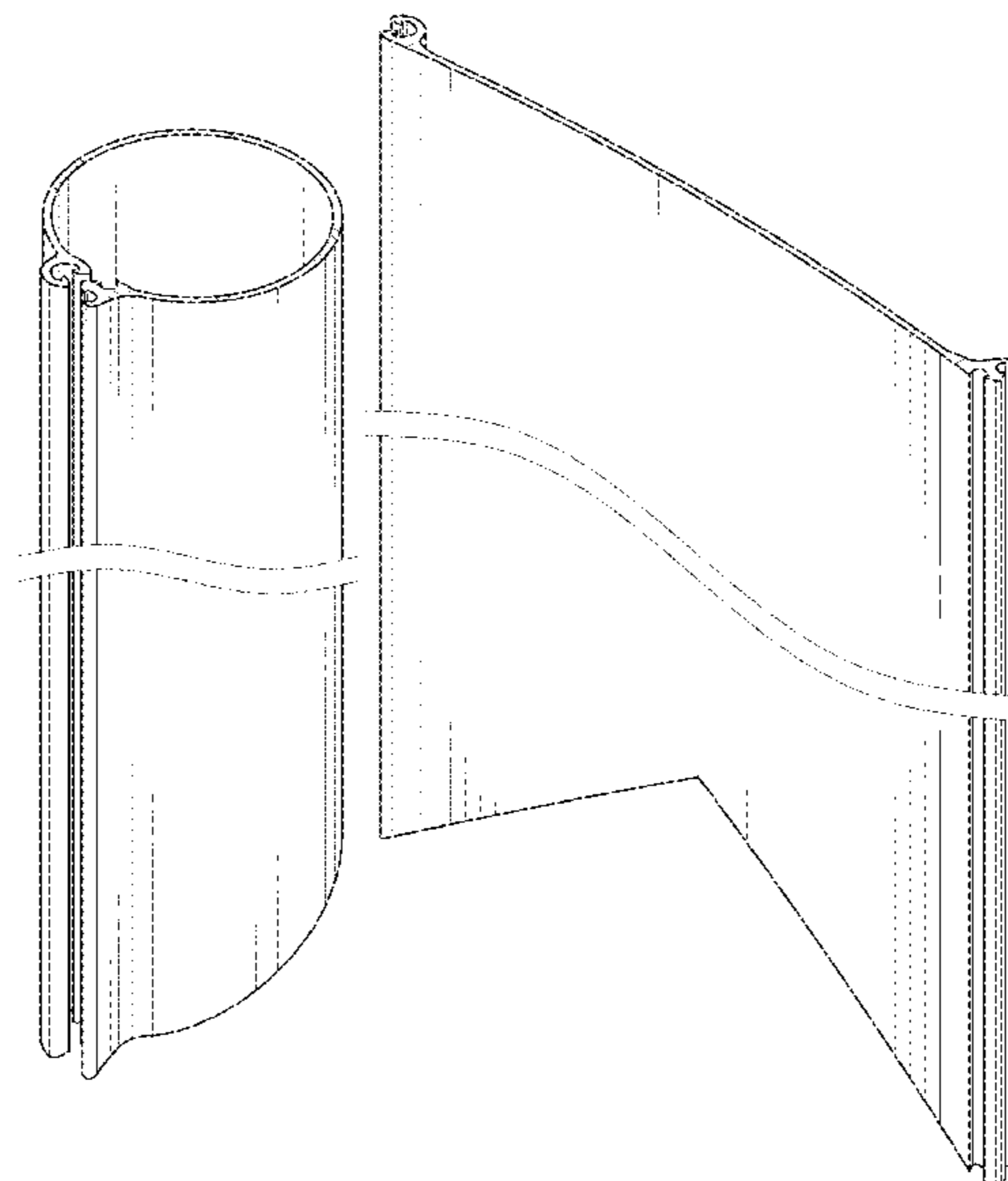
I claim the ornamental design for a straw, as shown and described.

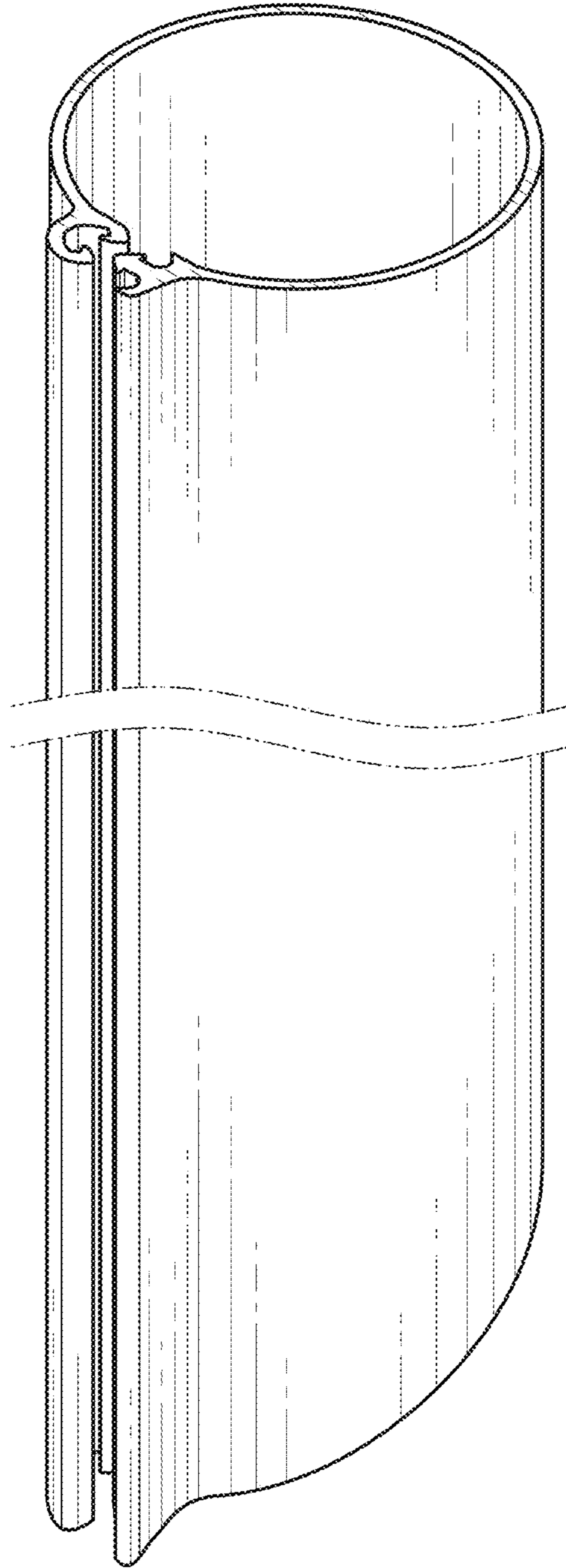
**DESCRIPTION**

FIG. 1 is a perspective view of a straw showing my new design;  
 FIG. 2 is a front view thereof;  
 FIG. 3 is a rear view thereof;  
 FIG. 4 is a left side view thereof;  
 FIG. 5 is a right side view thereof;  
 FIG. 6 is a top plan view thereof;  
 FIG. 7 is a bottom plan view thereof;  
 FIG. 8 is another perspective view thereof;  
 FIG. 9 is enlarged perspective view of area circumscribed within FIG. 8; and,  
 FIG. 10 is a perspective view in an expanded use configuration.

The dot-dot-dash broken lines in FIGS. 1-5 and 8-10 are symbolic lines that form no part of the claimed design.  
 The circular broken lines in FIGS. 8 and 9 depict the boundaries of the enlargements that form no part of the claimed design.  
 The area between the break lines forms no part of the claimed design.

**1 Claim, 9 Drawing Sheets**





*FIG. 1*

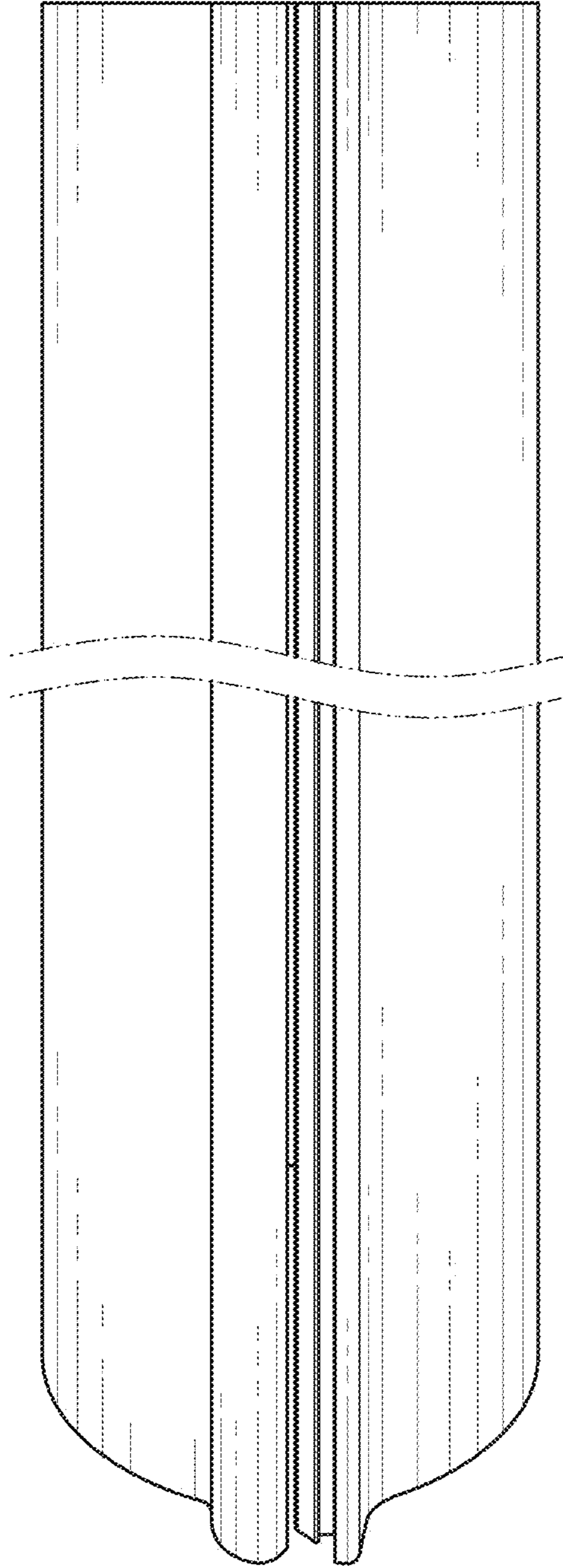


FIG. 2

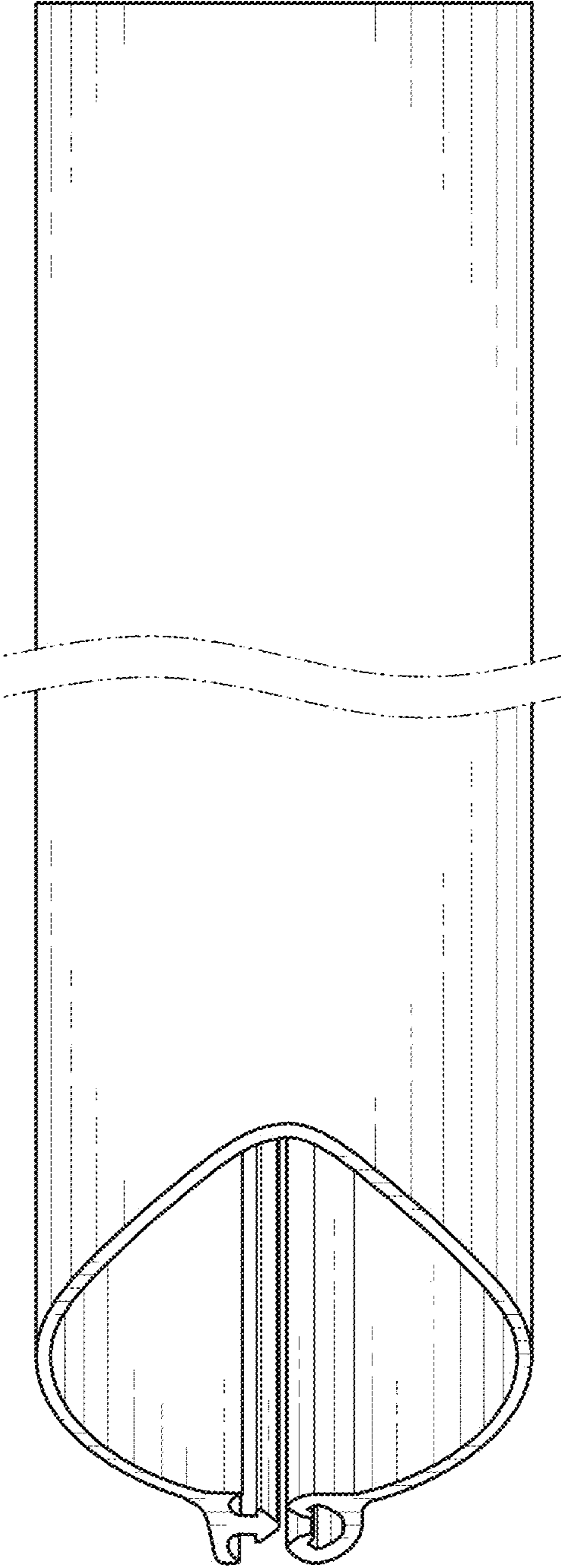


FIG. 3

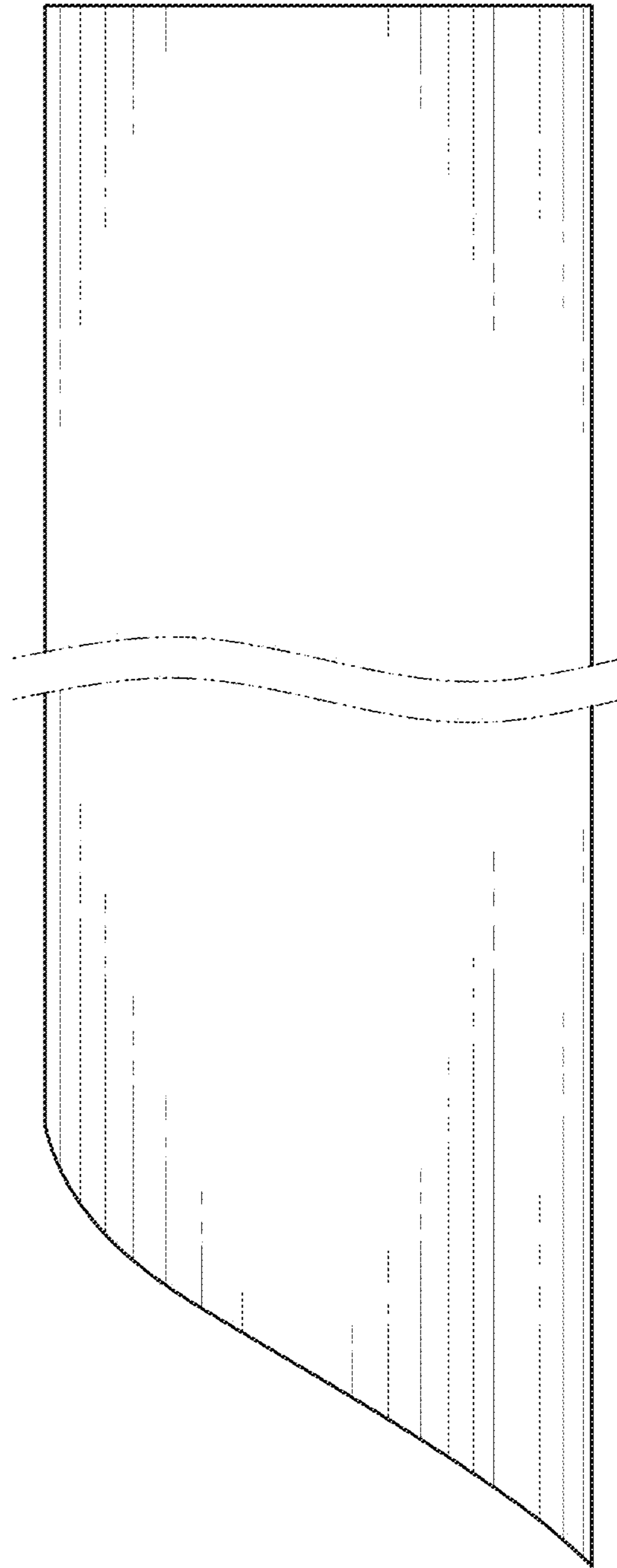


FIG. 4

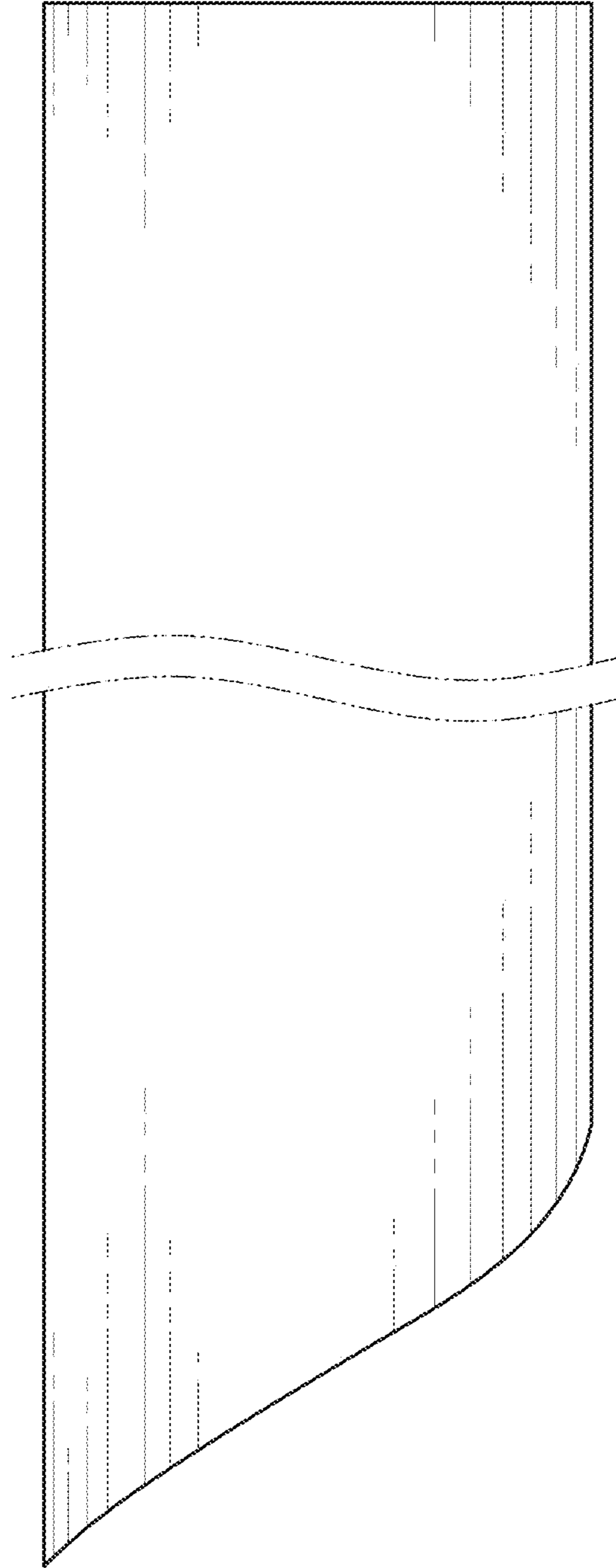


FIG. 5



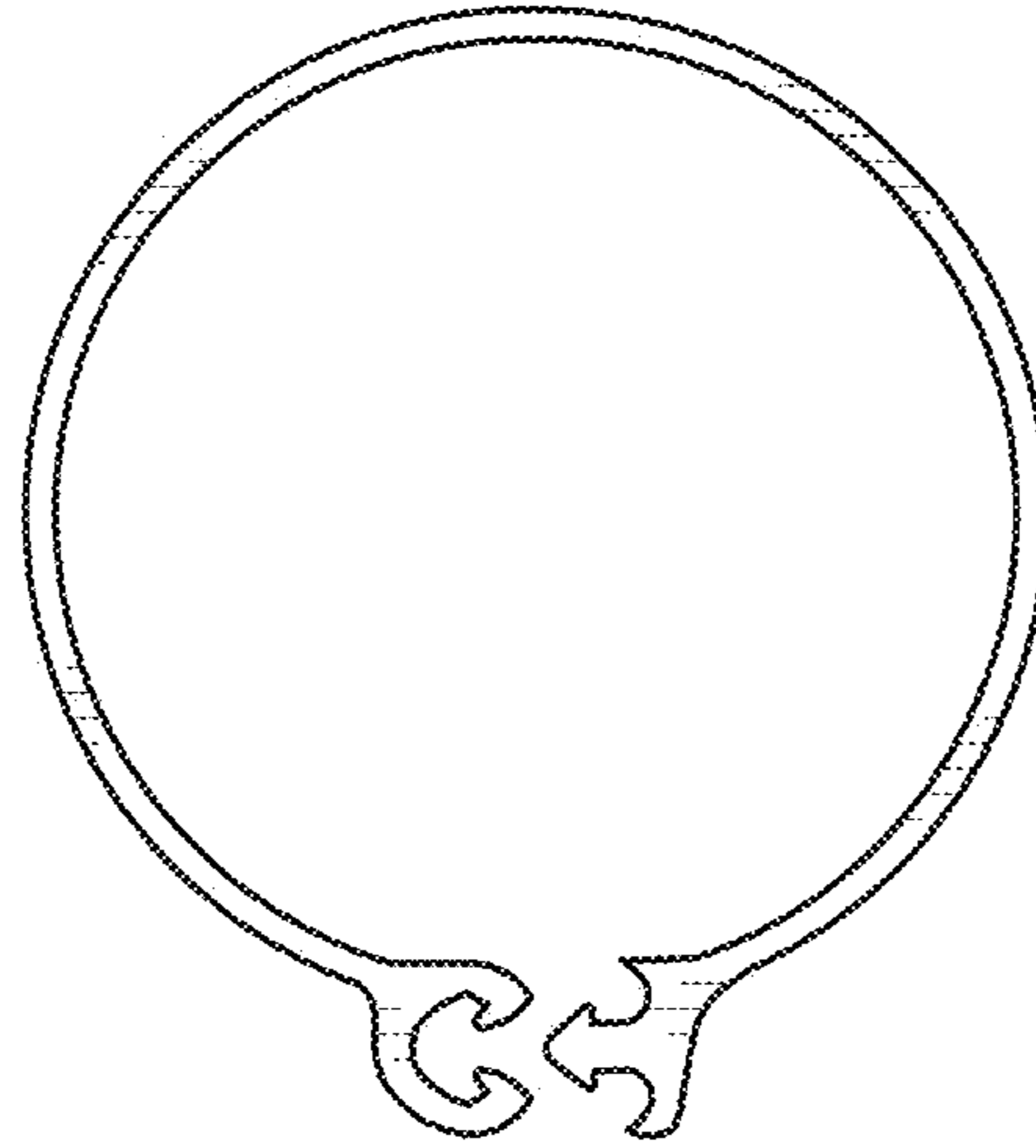


FIG. 6

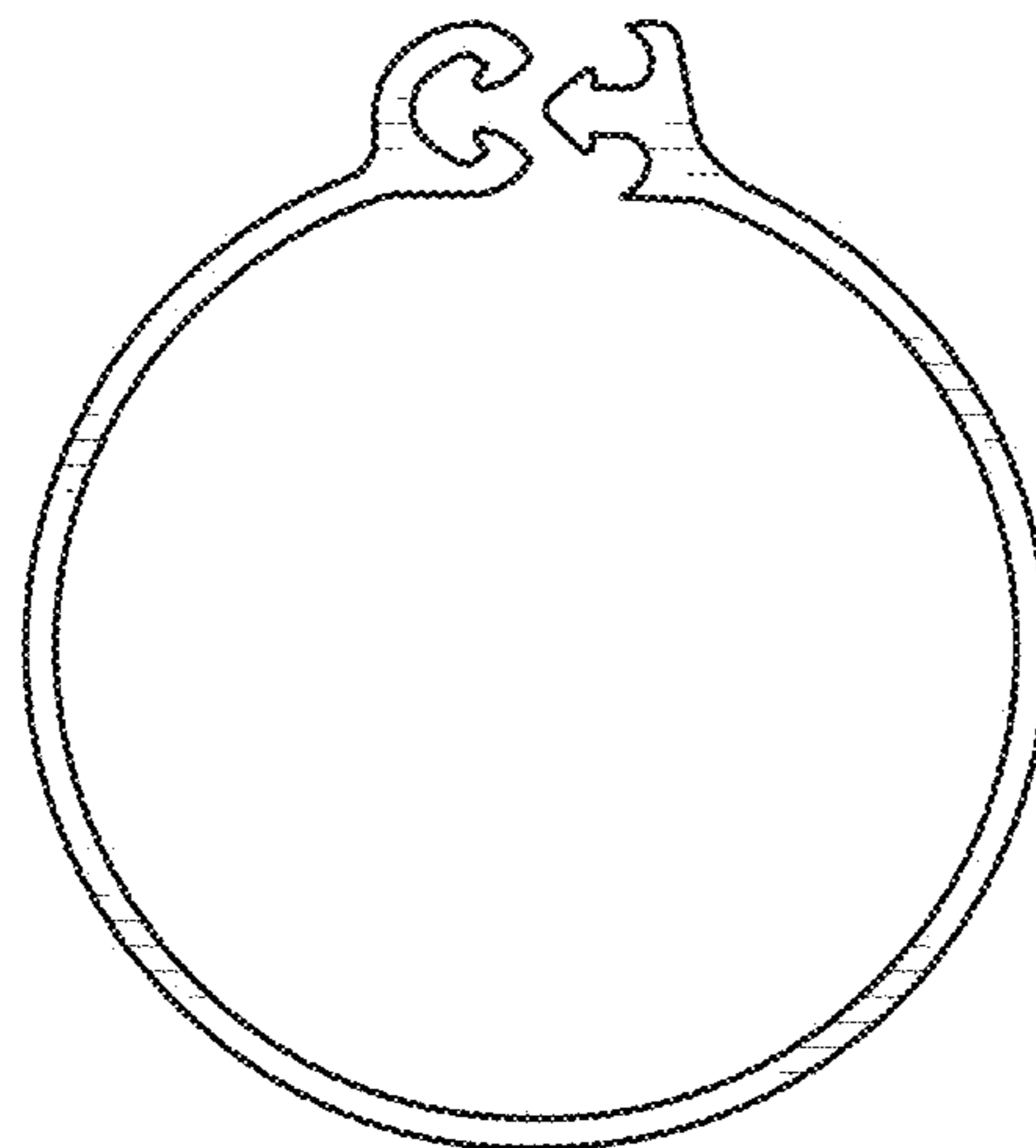


FIG. 7

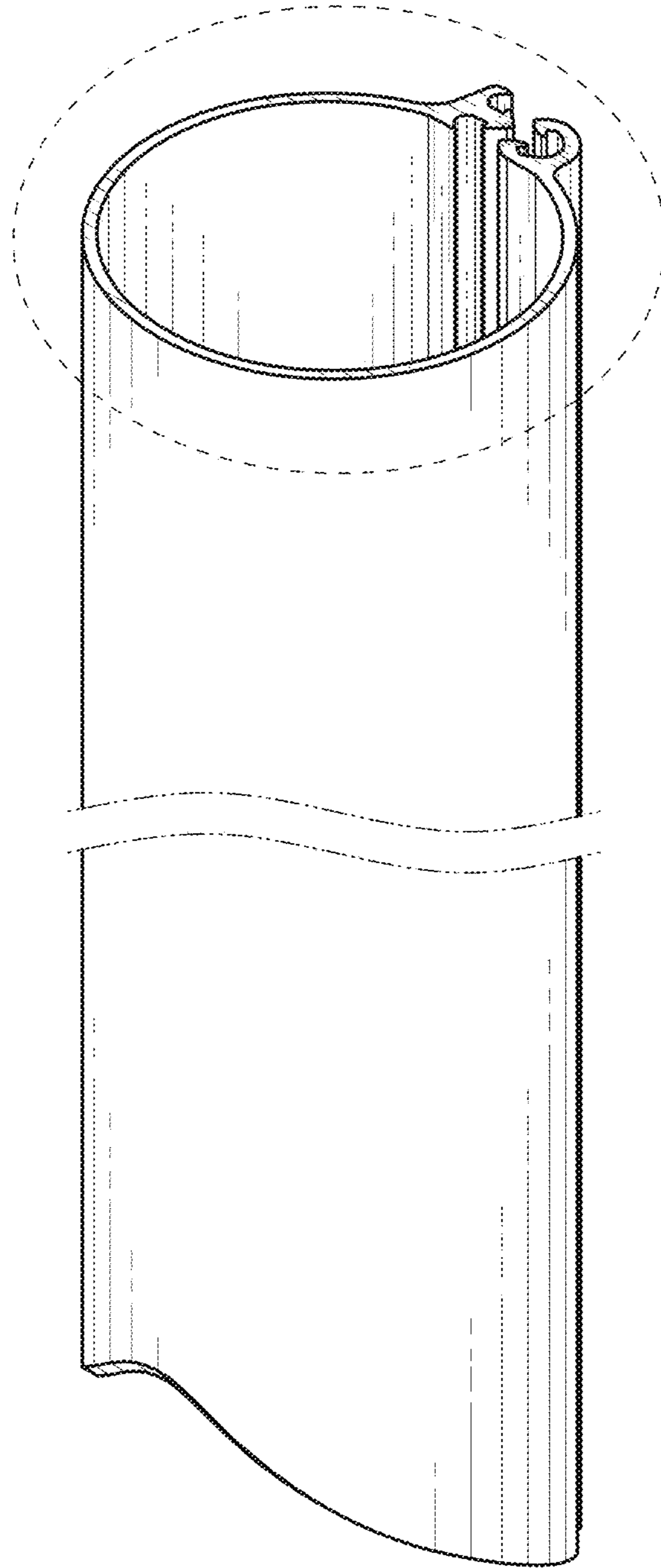


FIG. 8



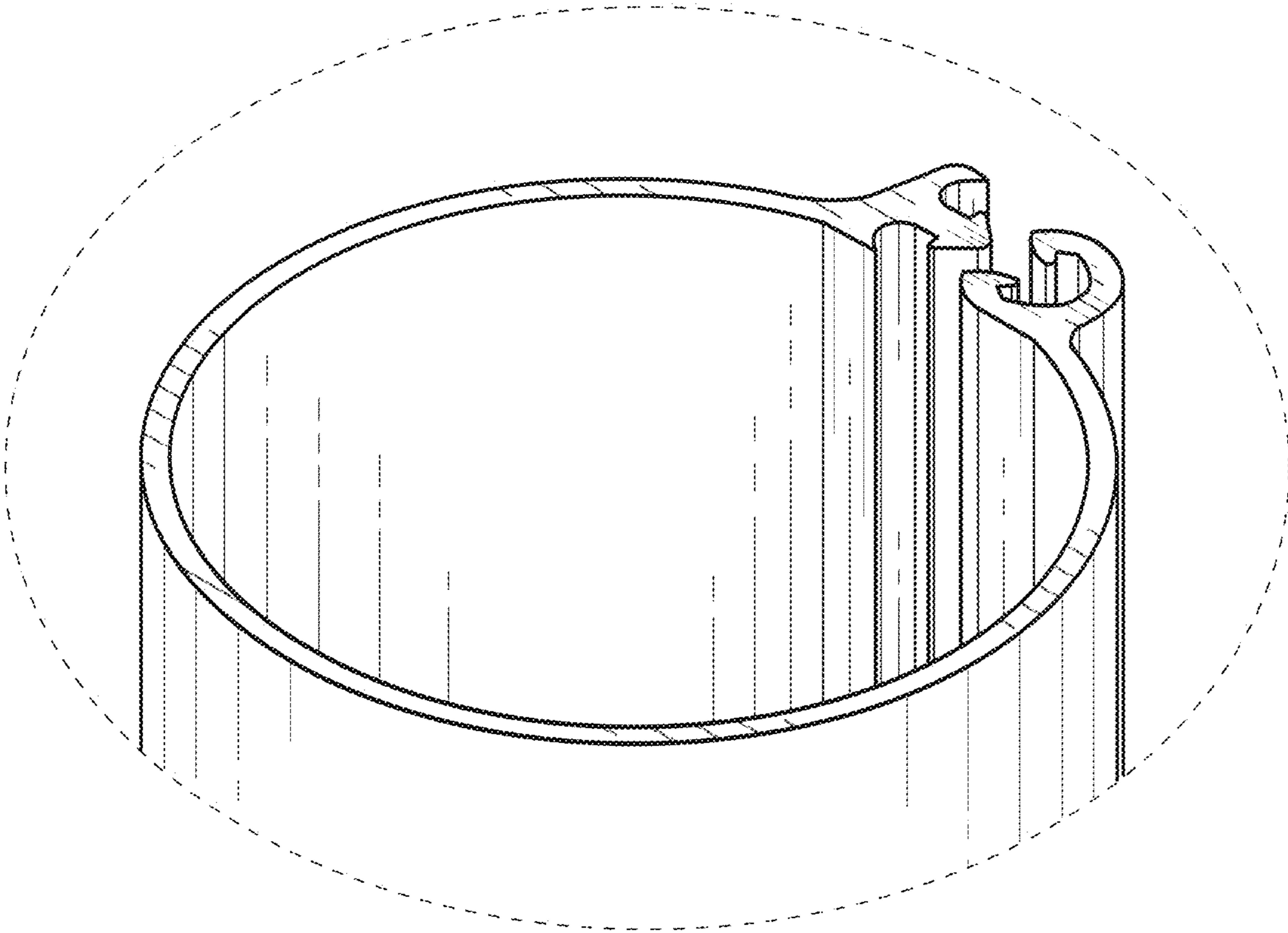


FIG. 9

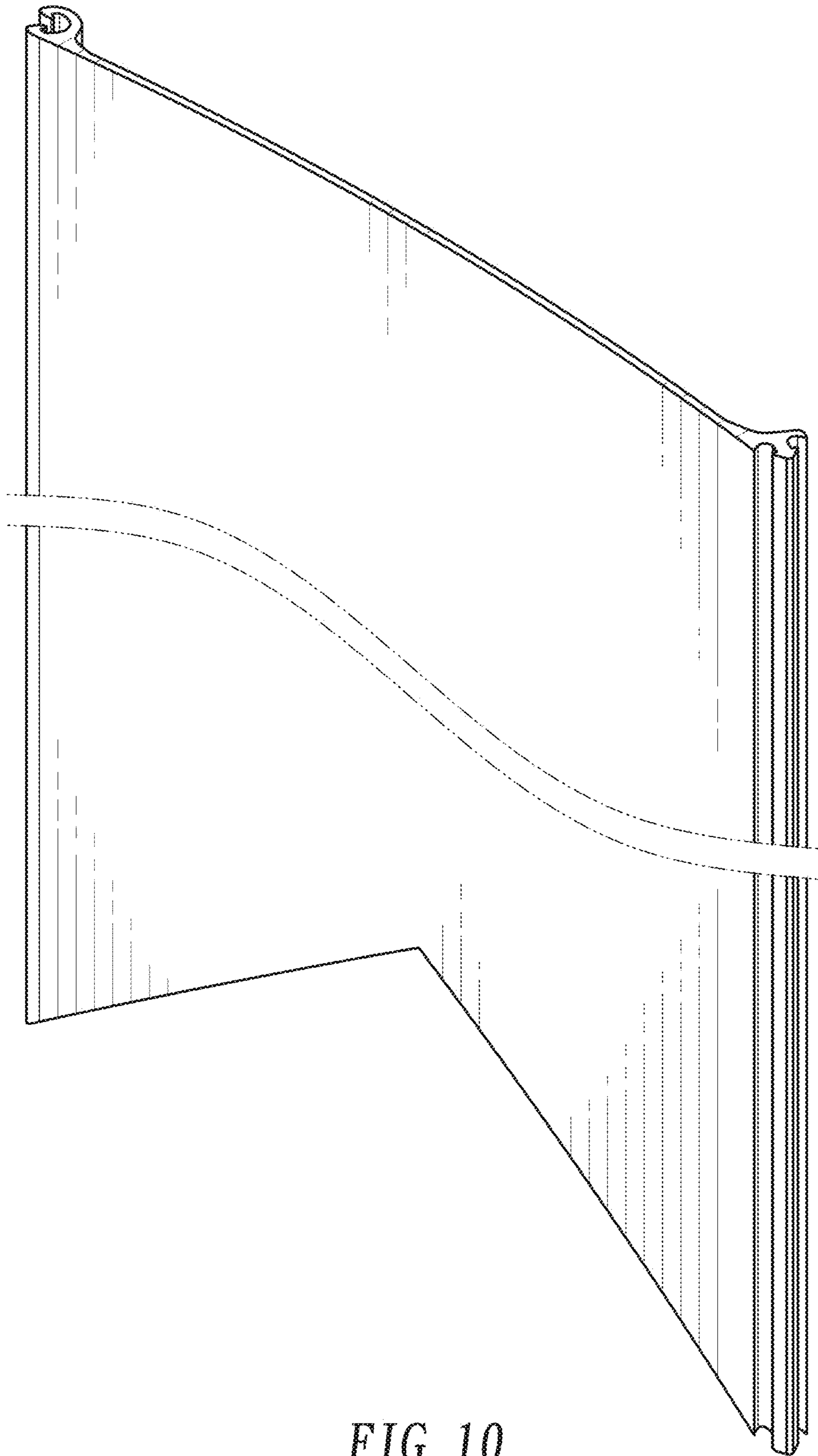


FIG. 10