

US00D954479S

(12) **United States Design Patent**
Wang

(10) **Patent No.:** **US D954,479 S**
(45) **Date of Patent:** **** Jun. 14, 2022**

- (54) **CALIBRATION SUPPORT**
- (71) Applicant: **AUTEL INTELLIGENT TECHNOLOGY CORP., LTD.,**
Guangdong (CN)
- (72) Inventor: **Yongshuai Wang,** Guangdong (CN)
- (73) Assignee: **AUTEL INTELLIGENT TECHNOLOGY CORP., LTD.,**
Shenzhen (CN)
- (**) Term: **15 Years**
- (21) Appl. No.: **29/725,739**
- (22) Filed: **Feb. 26, 2020**
- (30) **Foreign Application Priority Data**
Aug. 26, 2019 (CN) 201930464731.5
- (51) **LOC (13) Cl.** **06-04**
- (52) **U.S. Cl.**
USPC **D6/681.1**
- (58) **Field of Classification Search**
USPC D6/672, 681, 681.1, 681.2, 682; D8/349;
D10/46, 65, 103; D14/239
CPC H04R 1/08; F16M 11/242; F16M 11/2014;
F16M 11/105; F16M 11/24; F16M 11/16;
F16M 11/38; F16M 2200/066; F16M
2200/08; G01S 13/931; G01S 7/4026;
G01B 11/27; G01B 11/2755
See application file for complete search history.

- (56) **References Cited**
U.S. PATENT DOCUMENTS
1,961,119 A * 5/1934 Ettinger A61G 7/1061
5/89.1
3,026,079 A * 3/1962 Stack A61G 7/0503
248/122.1

- 3,185,416 A * 5/1965 Osinski A47G 33/12
248/527
- 3,711,877 A * 1/1973 Averill A61G 7/1076
5/87.1
- 3,889,910 A * 6/1975 Walters A61G 7/0533
248/122.1
- D247,034 S * 1/1978 Brodmann A61G 7/1076
D14/224
- D289,835 S * 5/1987 Schoenig A61G 7/0533
D14/229
- 4,715,573 A * 12/1987 Liegel B25H 5/00
248/129
- D306,667 S * 3/1990 Fedder D6/682
- D307,182 S * 4/1990 Smith B25H 5/00
D24/128
- D376,885 S * 12/1996 Carey D34/28
- D376,886 S * 12/1996 Dunn D34/28
- D396,579 S * 8/1998 Kalayjian D6/682
- D405,204 S * 2/1999 McAdams D26/63
- D411,698 S * 6/1999 Kalayjian D6/682
- 5,934,490 A * 8/1999 Mora B25H 1/0007
212/176
- 5,946,748 A * 9/1999 Wang A61G 7/1046
5/81.1 R

(Continued)

Primary Examiner — Steven J Czyz

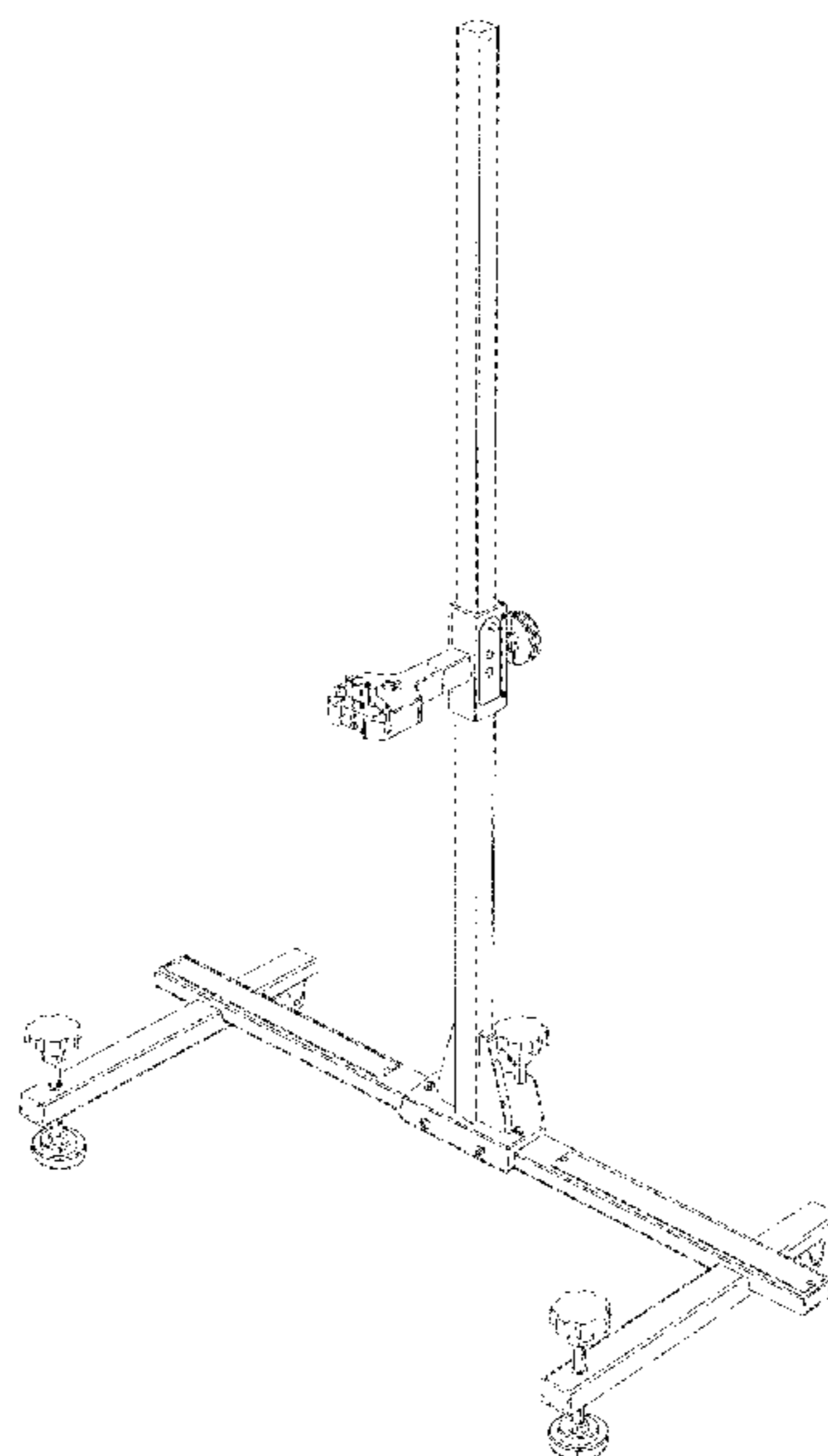
(57) **CLAIM**

I claim the ornamental design for a calibration support, as shown and described.

DESCRIPTION

FIG. 1 is a front elevational view of a calibration support showing our new design;
FIG. 2 is a back elevational view thereof;
FIG. 3 is a left side elevational view thereof;
FIG. 4 is a right side elevational view thereof;
FIG. 5 is a top plan view thereof;
FIG. 6 is a bottom plan view thereof; and,
FIG. 7 is a perspective view thereof.

1 Claim, 6 Drawing Sheets



(56)

References Cited

U.S. PATENT DOCUMENTS

6,079,678 A * 6/2000 Schott A61G 7/05
248/125.1
6,321,398 B1 * 11/2001 Wang A61G 7/001
212/901
7,261,261 B2 * 8/2007 Ligertwood A47B 21/00
248/129
7,273,198 B2 * 9/2007 Tourtellotte E04H 12/2238
248/166
7,440,685 B2 * 10/2008 Weng F16M 11/046
396/419
D597,217 S * 7/2009 Wounder D24/224
D598,125 S * 8/2009 Wounder D24/224
D608,014 S * 1/2010 Wounder D24/224
D610,835 S * 3/2010 Mono D6/682
10,323,936 B2 * 6/2019 Leikert G01B 11/2755
D863,079 S * 10/2019 Cai D10/65
D877,745 S * 3/2020 Knapp D14/452
D881,051 S * 4/2020 Cai D10/103
D881,052 S * 4/2020 Cai D10/103
D882,438 S * 4/2020 Cai D10/103
D883,119 S * 5/2020 Cai D10/103
D883,120 S * 5/2020 Cai D10/103
D883,121 S * 5/2020 Cai D10/103
D883,122 S * 5/2020 Cai D10/103
D883,123 S * 5/2020 Cai D10/103
D894,197 S * 8/2020 Knapp D14/452
10,794,996 B2 * 10/2020 Qiu G01S 7/4056
10,821,607 B2 * 11/2020 Chen B66F 9/24
D905,700 S * 12/2020 Lu D14/452
10,921,426 B2 * 2/2021 Tang G01S 7/40
2008/0116327 A1 * 5/2008 Goldberg A47B 21/00
248/121
2019/0187249 A1 * 6/2019 Harmer F16M 11/242

* cited by examiner

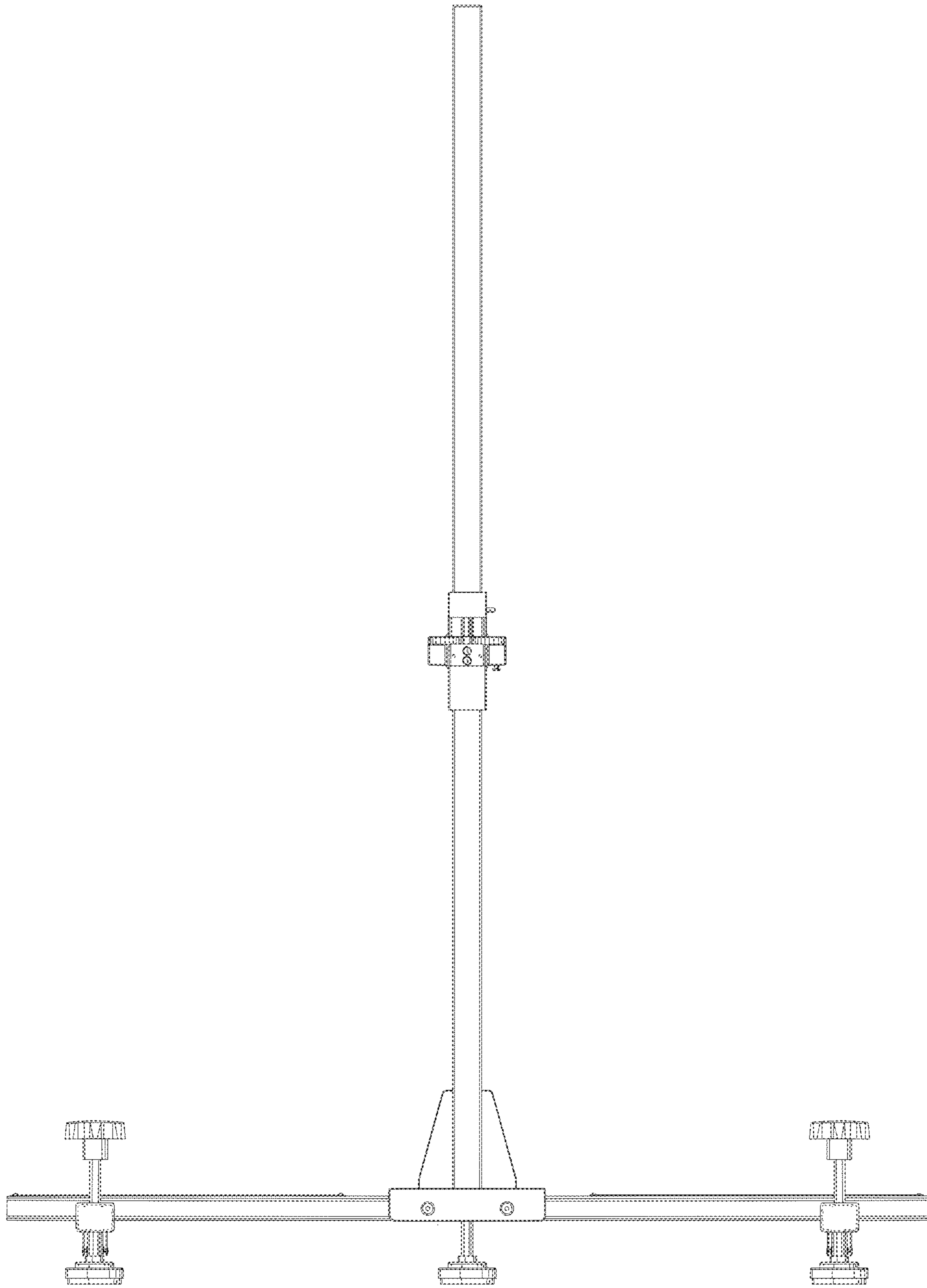


FIG.1

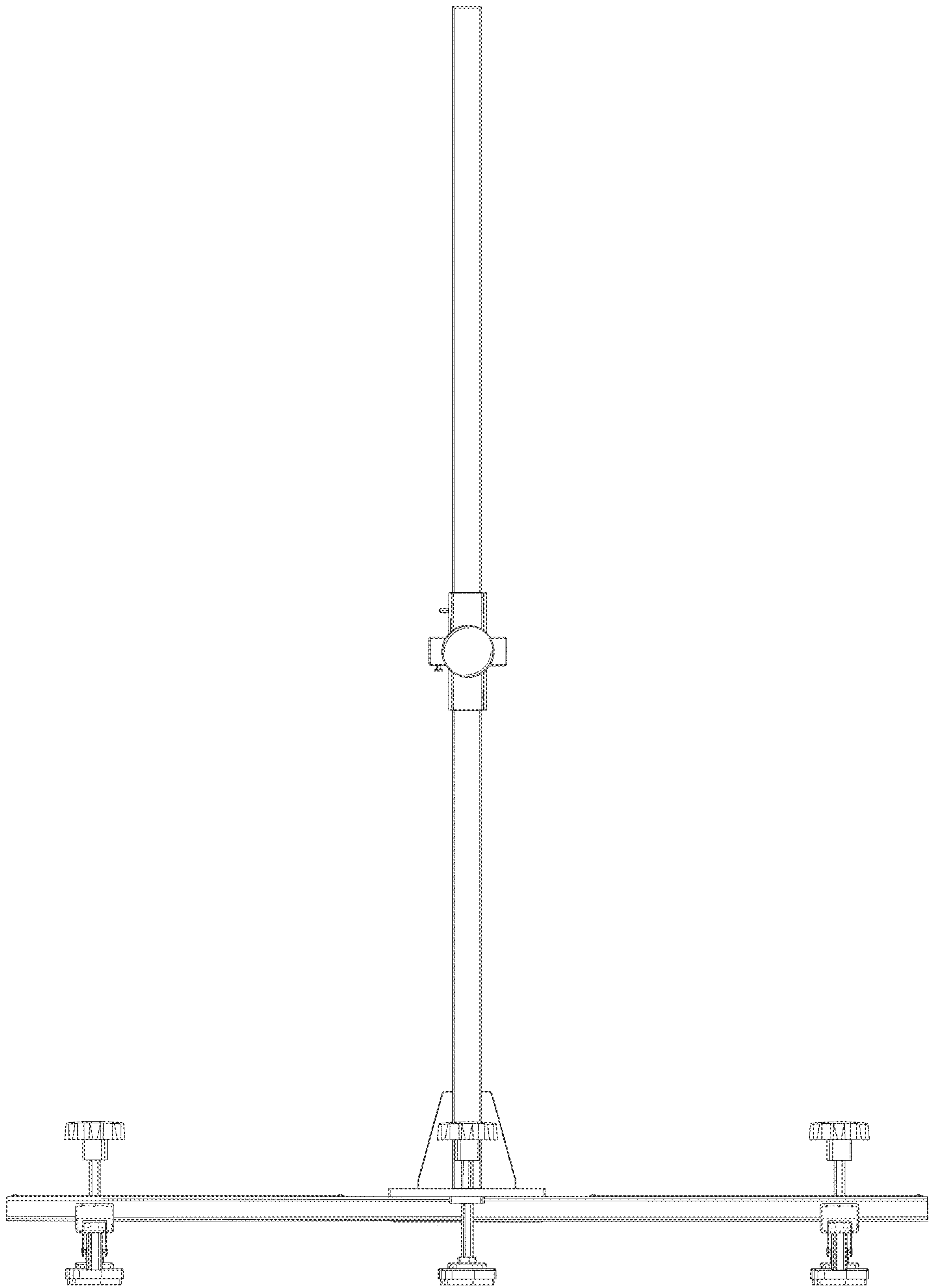


FIG.2

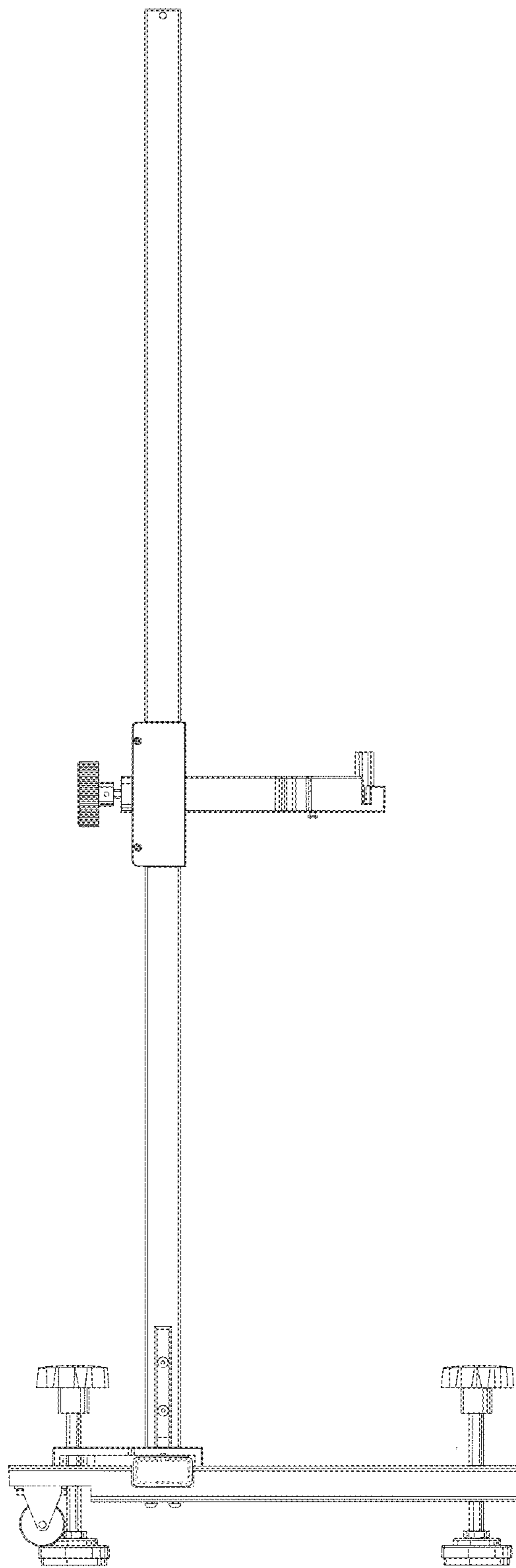


FIG.3

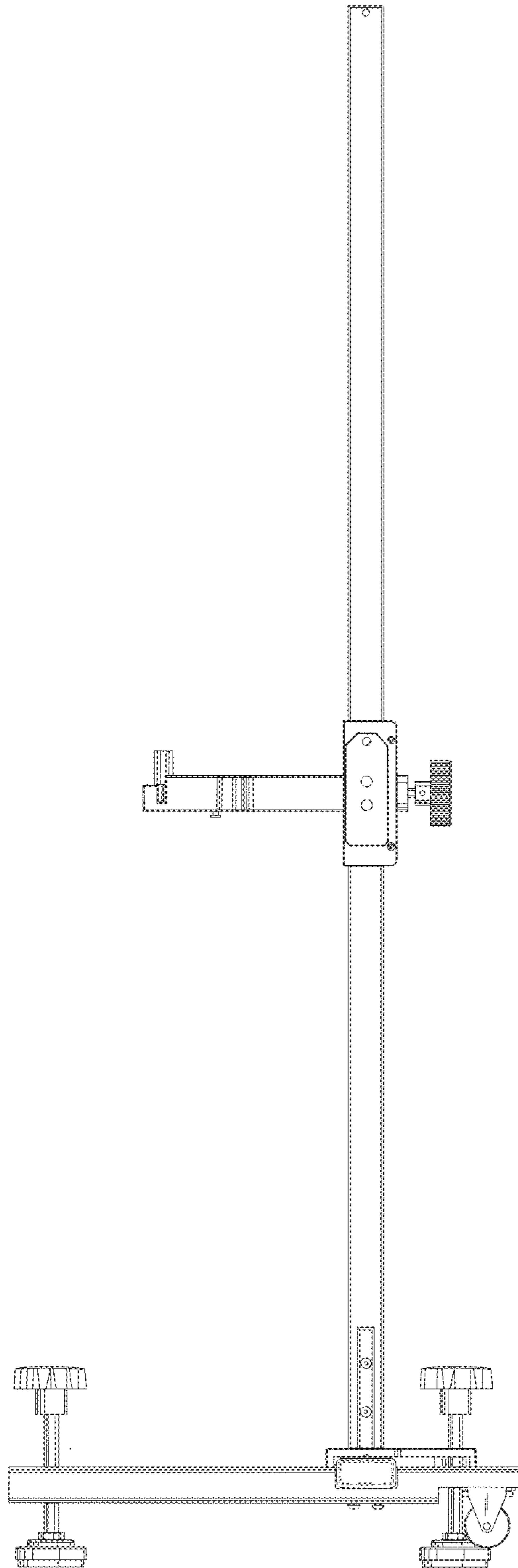


FIG.4

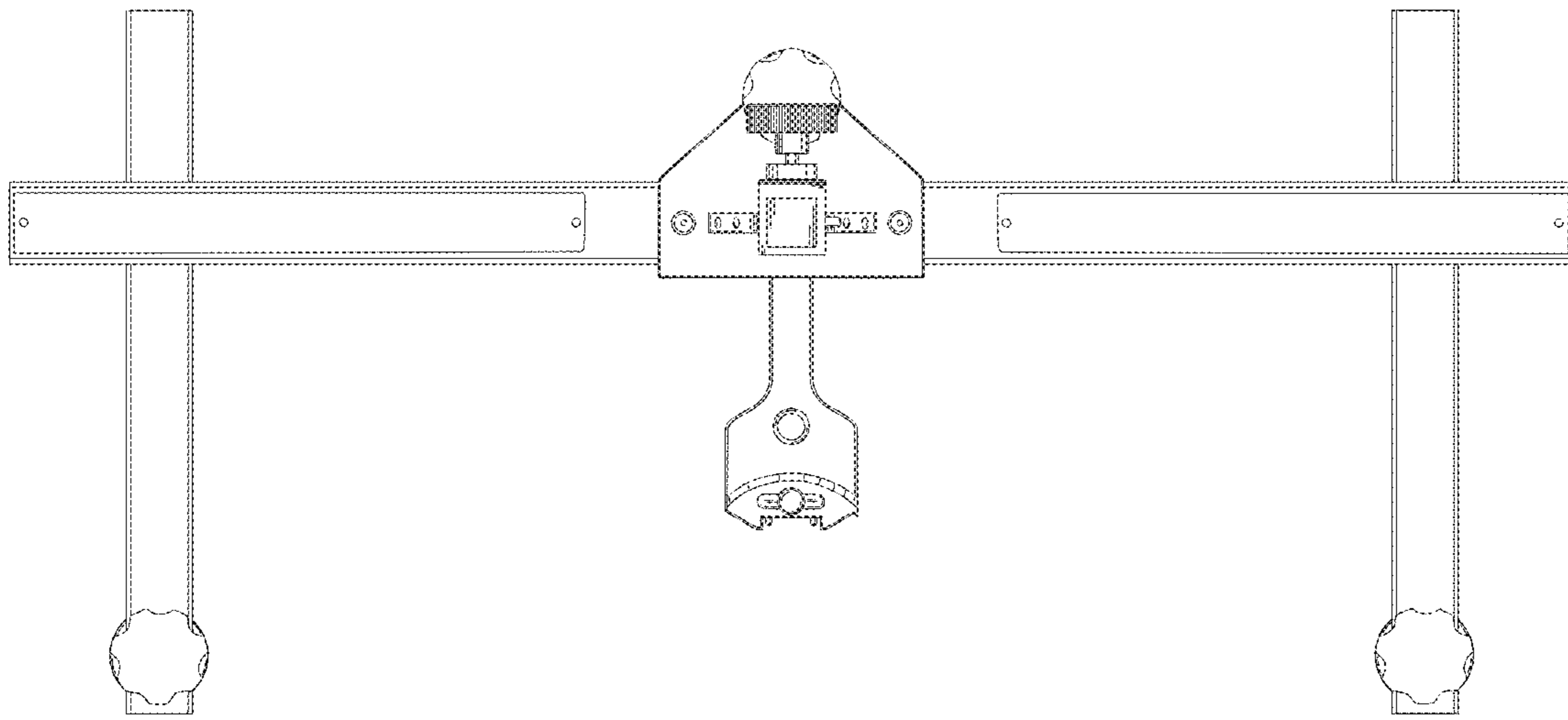


FIG.5

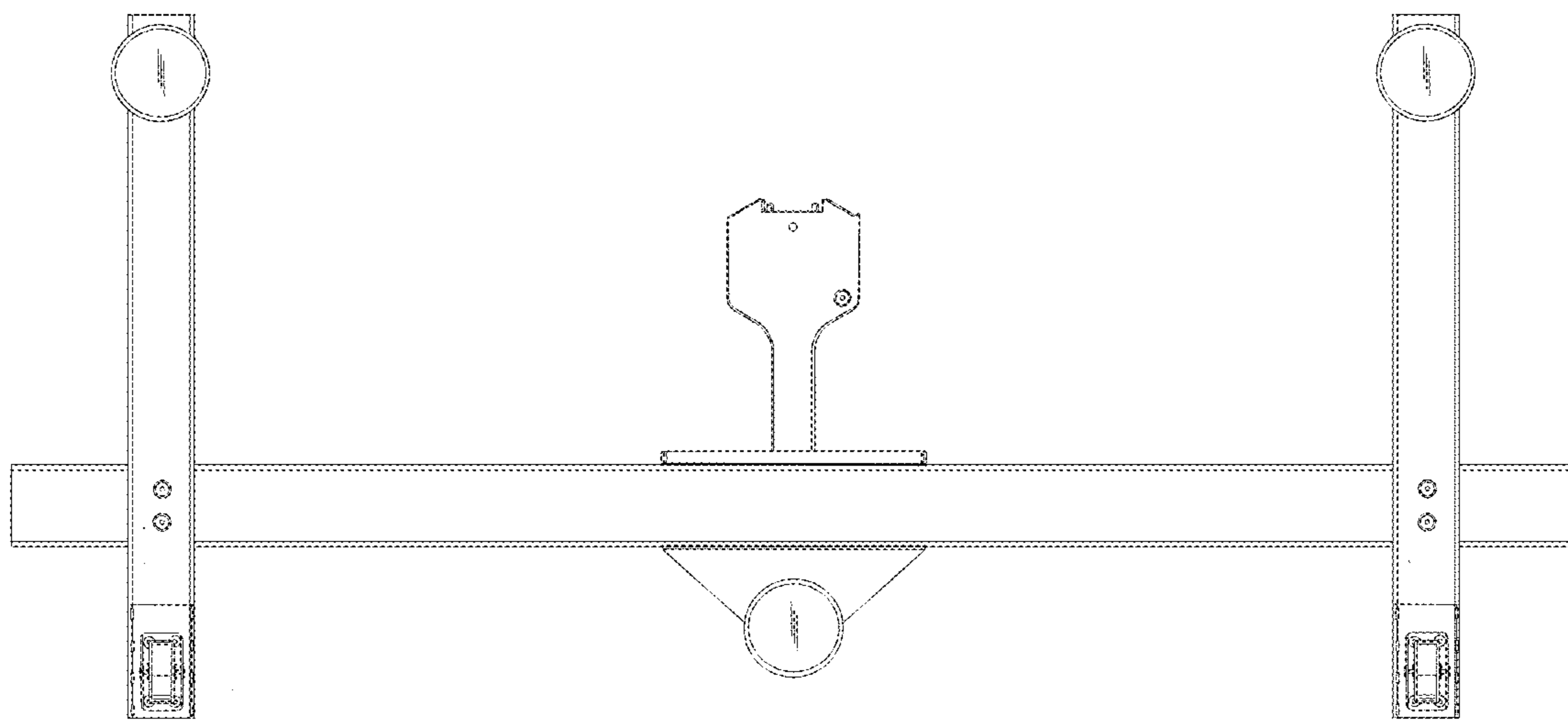


FIG.6

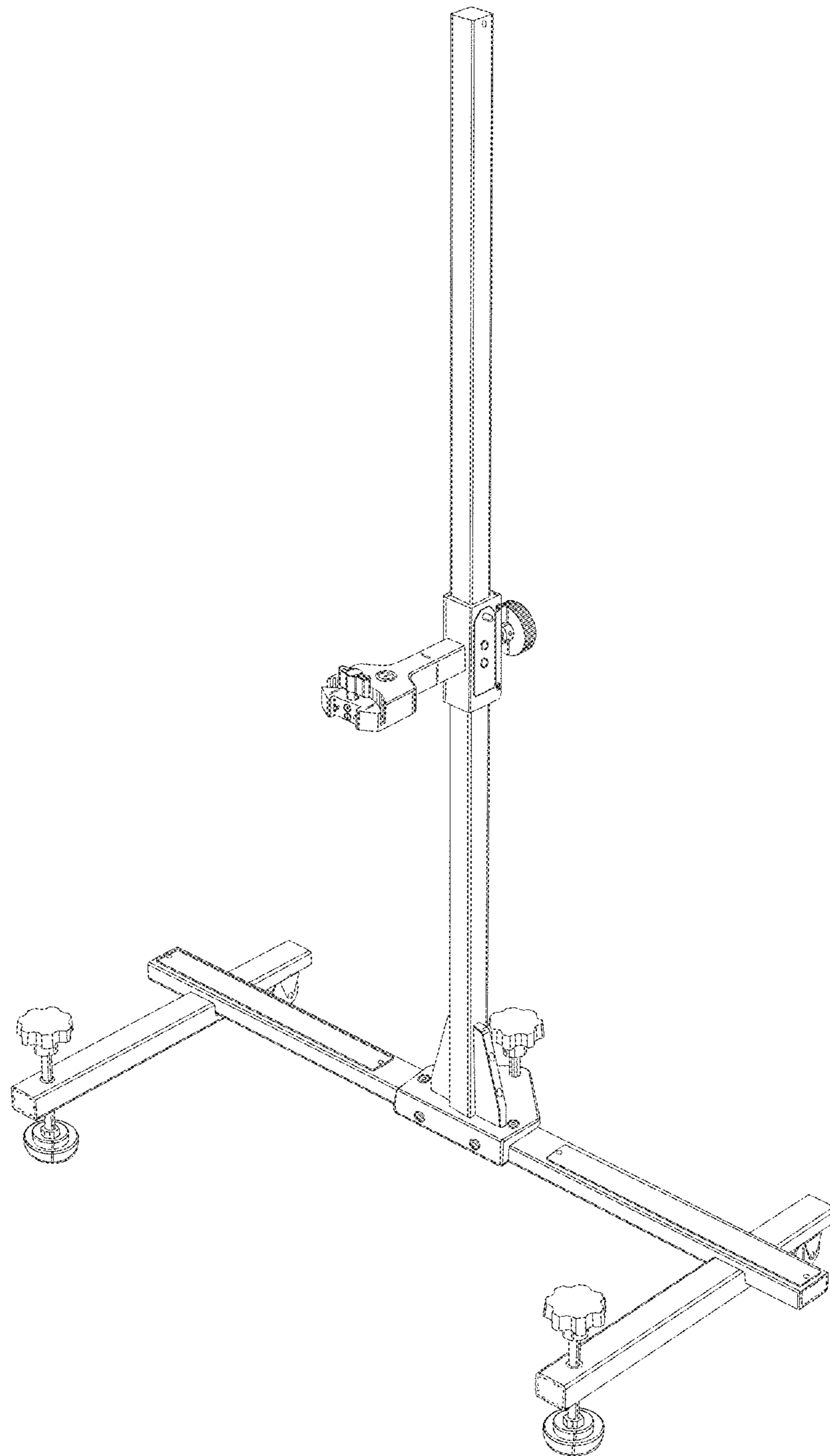


FIG. 7